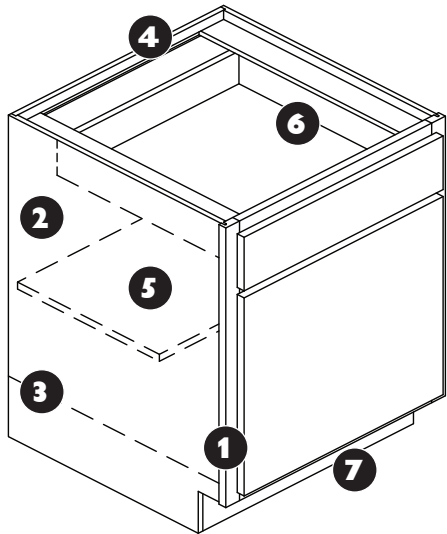
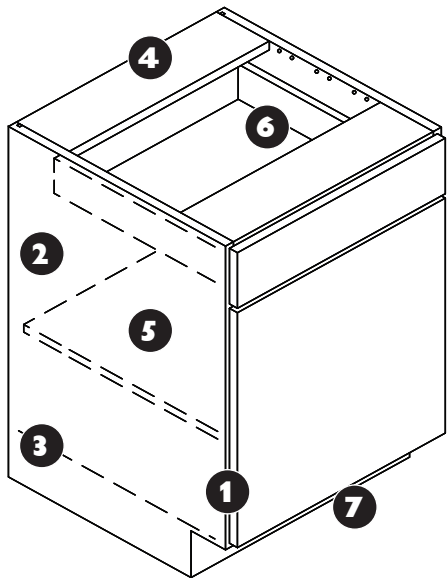


# Dura Supreme Cabinet Comparison Chart



CRESTWOOD CABINETRY



BRIA CABINETRY

		Crestwood Cabinetry	Bria Cabinetry
<b>1</b>	<b>Construction</b>	Framed Construction with 3/4" X 1-1/2" Solid Hardwood Face Frames with I-Beam Construction	Frameless or "Full-Access" Construction with coordinating PVC edge banding or optional wood veneer edge banding
<b>2</b>	<b>End Panels</b>	1/2" thick Furniture Board OR 1/2" Plywood Upgrade	3/4" thick Furniture Board OR 3/4" Plywood Upgrade
<b>3</b>	<b>Top/Bottom</b>	1/2" thick Furniture Board OR 1/2" Plywood Upgrade	3/4" thick Furniture Board OR 3/4" Plywood Upgrade
<b>4</b>	<b>Back</b>	1/2" thick Furniture Board OR 1/2" Plywood Upgrade	1/4" thick MDF Core with Hanging Rail
<b>5</b>	<b>Adjustable Shelves</b>	3/4" thick Furniture Board OR 3/4" Plywood Upgrade	3/4" thick Furniture Board OR 3/4" Plywood Upgrade
<b>6</b>	<b>Drawer Box &amp; Roll-out Shelves</b>	5/8" hardwood box with furniture dovetailed joints OR Premium 5/8" solid Maple box with dovetailed joints sanded & finished - eased top edge	5/8" hardwood box with furniture dovetailed joints OR Premium 5/8" solid Maple box with dovetailed joints sanded & finished - eased top edge OR Stainless Steel Drawer Box
	<b>Glides</b>	Blumotion Soft Close Full Extension Undermount Glides for drawers and roll-out shelves	
<b>7</b>	<b>Toe Kick</b>	4-1/2" High X 3" Recess	
	<b>Cabinet Interior</b>	Maple Woodgrain Print OR Maple Veneer with Natural Finish	
	<b>Finished Ends</b>	Matching Wood Veneer	
	<b>Hinges</b>	Fully Adjustable with Optional Soft Close	