



ADVANCED SERIES

PRO Cover Control

Submittal Sheet

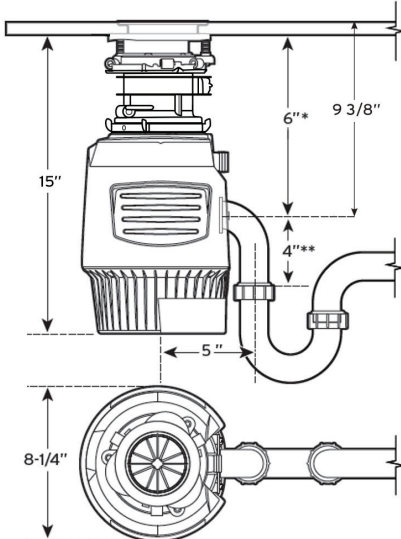
This model offers the following features and benefits:

- 3/4 HP long-lasting, Dura-Drive® induction motor
- Quiet SoundSeal Technology® delivers quiet disposal operation
- Advanced Grind for tough and fibrous food scraps
- 3-Stage MultiGrind® Technology: Finest grind designed to prevent clogs
- EZ Connect Disposal easily connects to a hardwire connection or outlet
- Removable, Dishwasher Safe, Antimicrobial Quiet Collar® Sink Baffle
- Safe for use with properly maintained septic tanks
- Units Available: PRO Cover Control with EZ Connect Adapter or PRO Cover Control with EZ Connect Cord

Specifications

| Type of Feed | Batch |
|-----------------------------|---|
| On/Off Control | T-Handle Stopper Switch |
| Motor | Single Phase |
| HP | 3/4 |
| Volts | 120 |
| HZ | 60 |
| RPM | 1725 |
| Amp. (Avg. Load) | 9.5 |
| Time Rating | Intermittent |
| Lubrication | Permanently Lubricated Upper & Lower Bearings |
| Shipping Weight (Approx.) | 20.7, 20.9 |
| Overall Height | 14.95 |
| Motor Protection | Automatic Reset |
| Average Water Usage | Approx. 1 Gallon per Person Per Day |
| Average Electrical Usage | 3-4 KWh per Year |
| Drain Connection | 1-1/2" cushioned slip joint |
| Dishwasher Drain Connection | Yes |

Dimensions



Sample Specification

Food Waste Disposer(s) shall be InSinkEratPro Cover Control, batch feed, with 3/4 HP. motor, stainless steel grinding elements with two stainless steel 360° swivel lugs. Exclusive self-service wrench.

Warranty

10-Year We Come to You® Limited In Home Warranty

* The complete InSinkEratPro warranty is included in the Care & Use Booklet packed with each unit.



Food waste is roughly 80% water. By using your disposal regularly, you can help divert food waste from landfills and reduce greenhouse gas emissions. Make sustainability a family affair by using your disposal. After all, the smallest changes can make the biggest impact.

Job Specifications



1-800-558-5700
www.insinkerator.com