

LEDVANCE T5 PROGRAM RAPID START UNV

Normal Ballast Factor Model

120-277 Voltage High Efficiency Systems

LHE T5 UNV Gear Guide

T5 Ballast 120-277V PSN:
2-lamp

Operates: Primary lamp is FP28.

Also operates:
FP14, FP21 and FP35

Click here to get the latest Ballast
Compatibility Chart.

Application Information

LEDVANCE High Efficiency ballasts are
ideally suited for:

- Commercial and retail
- Hospitality and institutional
- New construction



Ordering Information

Item Number	Description	# of Lamps	Primary Lamp (W)	Lamp family	Line Voltage	Starting Method	Ballast Factor	Case Size	Packaging
75871	LHE2X28T5UNVPSN	2	28	T5	UNV	PS	N	Small	10/CS 1/SKU

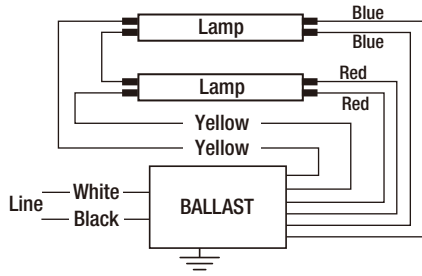
Electrical Specifications at 120-277V

Item Number	Description	Input Current (AMPS)	Lamp Type	Rated Lumens (lm)	No. of Lamps	Ballast Factor (BF)	System Lumens (lm)	Mean Lumens (lm)	Input Power (W)	System Efficacy (lm/W)	BEF*
75871	LHE2X28T5UNVPSN	0.23	FP28	2900	2	1	5800	5395	63	92	1.59
		0.13	FP28	2900	1	1	2900	2695	33	88	3.03

*Ballast Efficiency Factor (BEF) shown = (Ballast Factor x 100) divided by Input Power 277V 60-Hz data



Wiring Diagram



Note: For one lamp application, cap any yellow lead. Insulate to 400 volts.

Dimensions:

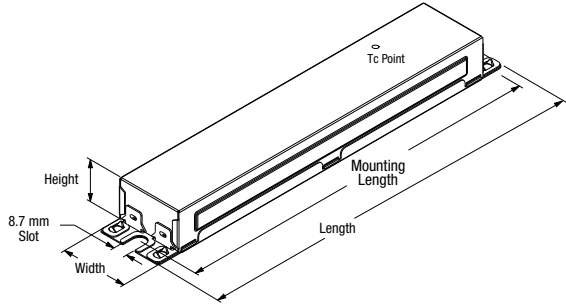
Overall: 9.5" L x 1.3" W x 1" H
(241mm L x 33mm W x 25mm H)
Mounting: 8.90" (226mm)

Packaging:

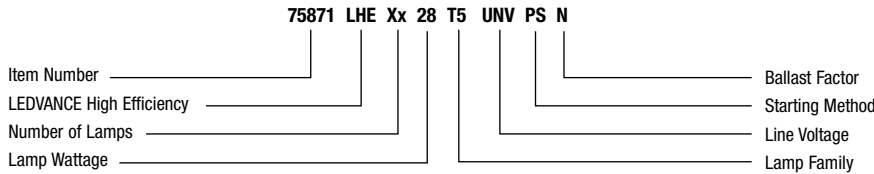
Quantity: 10 per case/1 per SKU
Weight: 0.7 lbs. each (approx.)

Wiring:

Leads only
(no connectors provided)



Ordering Guide



Specification Data

Type

Catalog #

Project

Comments

Prepared by

Performance Guide

Data based on fluorescent lamps shown. LHE Program Rapid Start ballasts are also compatible with other lamp manufacturers' equivalent lamp types that meet ANSI specifications.

Specifications

Starting Method: Program Rapid Start

Ballast Factor: 1.00

Circuit Type: Series

Lamp Frequency: >42kHz

Input Frequency: 50/60 Hz

Low THD: <10%

Power Factor: >98%, 1 lamp @277V >95%

Voltage Range: ±10% rated input

Operating Temperatures¹

Starting Temperature: 0°F (-18°C)

Case Temp: 158°F (70°C) Max

Max Ambient Temp.: 131°F (55°C)

Product Ratings

UL Listed Class P, Type 1, Outdoor, CEC, NRCAN

FCC Part 18 Non-Consumer

Class A Sound Rating

ANSI C62.41 Cat. A Transient Protection

RoHS Compliant²

No PCBs, Type CC

¹ Operation below 50°F (10°C) may affect light output or lamp operation.

² Complies with European Union Restriction of Hazardous Substances (Directive 2002/95/EC)

Installation Notes

- Ground ballast case
- Install in accordance with the National Electrical Code
- Remote Mounting: 18ft. max lead length 18AWG

System Life/Warranty

LEDVANCE ballasts carry a five-year warranty from date of manufacture. For additional details, check out the latest Warranty Bulletin on our website, ledvanceUS.com.

LEDVANCE LLC

181 Ballardvale Street, Suite 203

Wilmington, MA 01887 USA

Phone 1-800-LIGHTBULB (1-800-544-4828)

www.ledvanceUS.com

SYLVANIA and LEDVANCE are registered trademarks.

All other trademarks are those of their respective owners.

Licensee of product trademark SYLVANIA in general lighting.

Specifications subject to change without notice.

Products distributed by LEDVANCE LLC.



/sylvania



/sylvania

