

Project		Catalog #		Type	
Prepared by		Notes		Date	



HALO OUTDOOR

TGS Series Floodlights

Flood, Dusk to Dawn, Motion and Connected (HALO Home) floodlighting

The TGS Floodlight Family is designed to cover many possible use case scenarios, from flood to connected floodlighting.

All versions of TGS include a lumen selectable switch that can reduce the light intensity from the maximum available lumen package.

Easy to install, and with metal die-cast heads, the TGS is Ideal for both residential and commercial areas such as yards, driveways, patios, loading areas and warehouses.

Typical Applications

Residential, Outdoor Area/Site

Interactive Menu

- Order Information [page 2](#)
- Product Specifications [page 4](#)
- Product Warranty [page 4](#)
- Product Dimensions [page 5](#)
- Photometric Data [page 6](#)

Product Certification



Product Features



Top Product Features: Flood, Motion and Dusk to Dawn SKUs

- Durable die-cast aluminum head with UV resistant polycarbonate lens
- Lumen selectable from two packages: 2,500 Lumens Max or 3,000 Lumens Max (Dimmable)
- Single head (Square only), Twin head (Square or Round) and Triple head (Round only) available
- Maintenance-free LEDs with 70,000 hours of life (100,000 hours for TGS Commercial and HALO Home SKUs)
- Wall or eave mounted to recessed or surface junction boxes
- Easy to install with Quick Connect connector

Top Product Features: Connected HALO Home SKUs

- Uses Bluetooth® Mesh technology for use with HALO Home mobile app
- No hub or gateway required to establish wireless control
- Control On/Off and dimming with compatible HALO Home switches and app
- White tuning from 3000K to 5000K CCT
- Control grouping, scheduling, countdown timer or scenes via app
- Compatible with Amazon Echo when used with HALO Home Bridge

Order Information

SAMPLE ORDER NUMBER: **TGS2S402FRRB**

Family	Max Lumens	CCT	Configuration	Type	Head Shape	Configuration	Finish
TGS= TGS Family	2S = 2,500 3S = 3,000	30= 3000K 40= 4000K (most popular model)	1= Single Head 2= Double Head 3= Triple Head	F= Flood D=Dusk-to-Dawn Sensor M=Motion Sensor	S= Square R= Round	R= Residential C= Commercial BLE40A= HALO Home Connected (TGS HH)	W= White B= Bronze

*All combination do not exist- only for illustrative purposes. See below for a list of available products.

Initial models at the time of the Launch

RESIDENTIAL Models	Description	COMMERCIAL Models	Description
TGS2S402DRRB	TWIN, 2K LMN SEL, 4K, D2D, RESI, RD,BR	TGS2S402MRCW (*)	TWIN, 2K LMN SEL, 4K, MTN, COMM, RD,WH
TGS2S402DRRW	TWIN, 2K LMN SEL, 4K, D2D, RESI, RD,WH	TGS3S403MRCW (*)	TRIP, 3K LMN SEL, 4K, MTN, COMM, RD,WH
TGS2S402FRRB	TWIN, 2K LMN SEL, 4K, FLOOD, RESI, RD,BR	*Inventory available in the Fall of 2020	
TGS2S402FRRW	TWIN, 2K LMN SEL, 4K, FLOOD, RESI, RD,WH		
TGS2S402MRRB	TWIN, 2K LMN SEL, 4K, MTN, RESI, RD,BR		
TGS2S402MRRW	TWIN, 2K LMN SEL, 4K, MTN, RESI, RD,WH		
TGS3S401DSRB	SNGL, 3K LMN SEL, 4K, D2D, RESI, BR		
TGS3S401DSRW	SNGL, 3K LMN SEL, 4K, D2D, RESI, WH		
TGS3S401FSRB	SNGL, 3K LMN SEL, 4K, FLOOD, RESI, BR		
TGS3S401FSRW	SNGL, 3K LMN SEL, 4K, FLOOD, RESI, WH		
TGS3S403FRRW	TRIP, 3K LMN SEL, 4K, FLOOD, RESI, RD,WH		
TGS2S402MSRB	TWIN, 2K LMN SEL, 4K, MTN, RESI, SQ,BR		
TGS2S402MSRW	TWIN, 2K LMN SEL, 4K, MTN, RESI, SQ,WH		

Residential vs Commercial

TGS Family at Launch	Flood	D2D	Motion	Connected (HH)
RESIDENTIAL				
INITIAL STOCK SKUS	TGS2S402FRRB TGS2S402FRRW TGS3S401FSRB TGS3S401FSRW TGS3S403FRRW	TGS2S402DRRB TGS2S402DRRW TGS3S401DSRB TGS3S401DSRW	TGS2S402MRRB TGS2S402MRRW TGS2S402MSRB TGS2S402MSRW	-
OTHER SKUS	CONSULT FACTORY FOR LEAD TIMES, MINIMUM ORDER QUANTITIES AND AVAILABILITY			
COMMERCIAL				
INITIAL STOCK SKUS	-	-	TGS2S402MRCW TGS3S403MRCW	-
OTHER SKUS	CONSULT FACTORY FOR LEAD TIMES, MINIMUM ORDER QUANTITIES AND AVAILABILITY			

TGS Flood & Dusk to Dawn

TGS HH

Flood & D2D	Residential			Commercial			Connected
LUMENS							
SINGLE	SWITCH SELECTABLE 1500 2200 3000			SWITCH SELECTABLE 1500 2200 3000			
TWIN		SWITCH SELECTABLE 1500 2000 2500			SWITCH SELECTABLE 1500 2000 2500		SWITCH SELECTABLE 1500 2000 2500
TRIPLE			SWITCH SELECTABLE 2000 2500 3000			SWITCH SELECTABLE 2000 2500 3000	
CCT	4000K	4000K	4000K	4000K	4000K	4000K	3K-5K (APP SELECT)
VOLTAGE	120V	120V	120V	120-277V	120-277V	120-277V	120-277V
LIFETIME	70,000	70,000	70,000	100,000	100,000	100,000	100,000
CONFIGURATION	SQ	SQ + RD	RD	SQ	SQ+RD	RD	SQ + RD
MATERIAL	DIECAST HEADS	DIECAST HEADS	DIECAST HEADS	DIECAST HEADS	DIECAST HEADS	DIECAST HEADS	DIECAST HEADS
EAVE / WALL MOUNT	X	X	X	X	X	X	X
MOUNTING BRACKET (FOR RECESSED-MOUNT INSTALLATION)	X	X	X	X	X	X	X
OPTIONAL ADAPTER KIT (FOR SURFACE MOUNT INSTALLATION)	(SOLD SEP.)	(SOLD SEP.)	(SOLD SEP.)	X (INCL.)	X (INCL.)	X (INCL.)	X (INCL.)
CERTIFICATIONS	UL ESTAR	UL (SQ) UL ESTAR (RD)	UL ESTAR	UL DLC	UL DLC	UL DLC	UL HALO HOME
WARRANTY	5 YEARS	5 YEARS	5 YEARS	5 YEARS	5 YEARS	5 YEARS	5 YEARS

TGS Motion

TGS HH

Motion	Residential			Commercial			Connected
MOTION SENSOR RANGE	180° 50'	180° 50'	270° 50'	180° 50'	180° 50'	270° 50'	180° 50'
BLIND SPOT DETECTION	X	X	X	X	X	X	X

Residential models	Commercial models	Connected models (HALO Home)
TGS_____R_	TGS_____C_	TGS_____BLE40A_
120V / 60HZ	120-277V, 50/60HZ	120-277V, 50/60HZ
ADAPTER PLATE OPTIONAL	ADAPTOR PLATE INCLUDED	ADAPTOR PLATE INCLUDED
70,000 HOURS LIFETIME	100,000 HOURS LIFETIME	100,000 HOURS LIFETIME
ENERGY STAR*	DLC	HALO HOME

* Most models except for twin square head SKUs.

Optional Adapter Plate

Catalog Number	Description
TGS-KIT-MTGWH (*)	MOUNTING ADAPTER PLATE KIT TGS WHITE
TGS-KIT-MTGBZ (*)	MOUNTING ADAPTER PLATE KIT TGS BRONZE

*Inventory available in the Fall of 2020



Product Specifications

Construction

- Durable die-cast aluminum heads suitable for wet locations
- Powder coat finish on the die-cast heads.
- Tool-less head and motion sensor adjustment
- Wall or eave mounted to recessed junction boxes
- Adapter plate kit used for surface junction boxes is included in Commercial and Halo Home SKUs. Option sold separately for Residential SKUs.

Optics

- Two packages available: 3,000 and 2,500 Lumens Max
- Wirelessly controlled white tuning from 3000K to 5000K CCT (HALO Home SKUs)
- Twin square heads have sleek wrap around lens design to push more light to where you need it

Electrical

- 120V, 60Hz (Residential SKUs)
- 120-277V, 50/60Hz (Commercial and HALO Home SKUs)
- Built to last with maintenance-free LEDs with 70,000 hours of life (100,000 hours for Commercial and HALO Home SKUs)
- Fixture operating temperature of -30°C to 40°C
- Integral photocell allows for nighttime ON / daytime OFF operation (Dusk to Dawn and motion sensor SKUs)
- 180° detection up to 50' range, with adjustable sensitivity and duration from 30 seconds - 12 minutes. (Motion sensor SKUs)
- 270 detection and up to 50' range (Motion sensor with three heads SKUs)

Compliance and Certifications

- UL certified for US and Canada for wet locations
- EMI/RFI emissions per FCC 47CFR Part 15B
- Contains no mercury or lead and RoHS compliant.
- Photometric testing in accordance with IES LM-79-08 Lumen maintenance projections in accordance with IES LM-80-08 and TM-21-11
- FCC Part 15 Subpart C Intentional Radiator (HALO Home SKUs only)
- ICES-005(B) Intentional Radiator
- Meets CA Prop 65

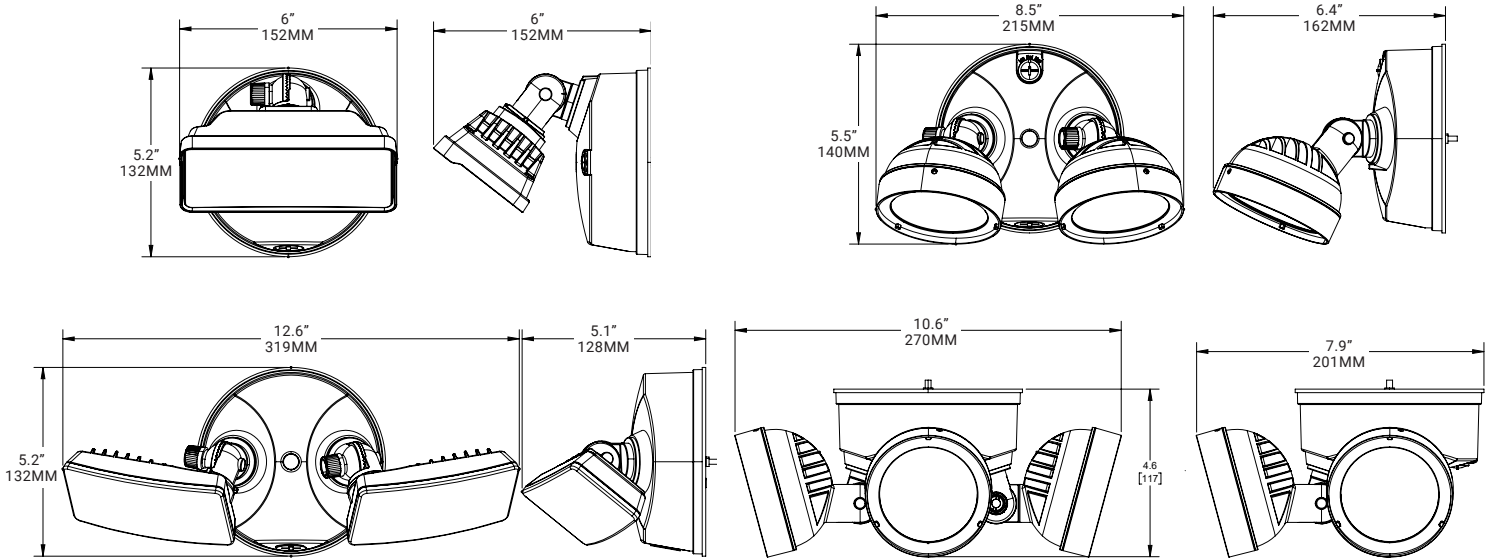
Finish

- Textured Bronze/ White Finish

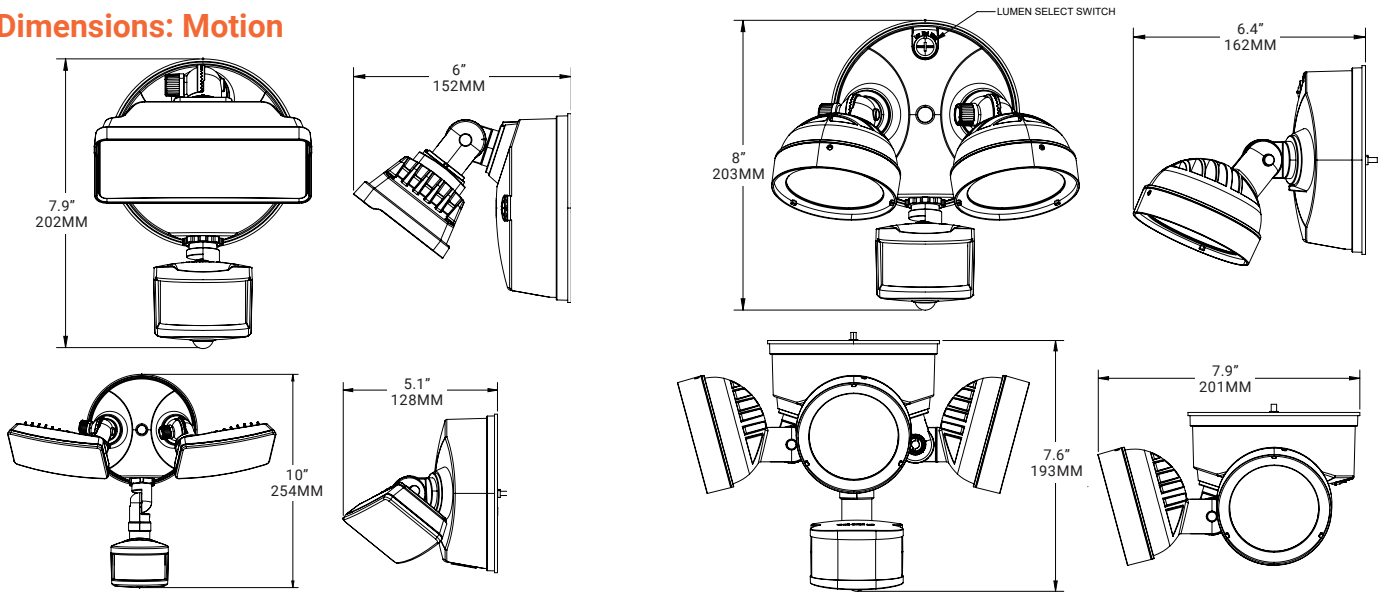
Warranty

- Five year limited warranty, consult website for details. www.cooperlighting.com

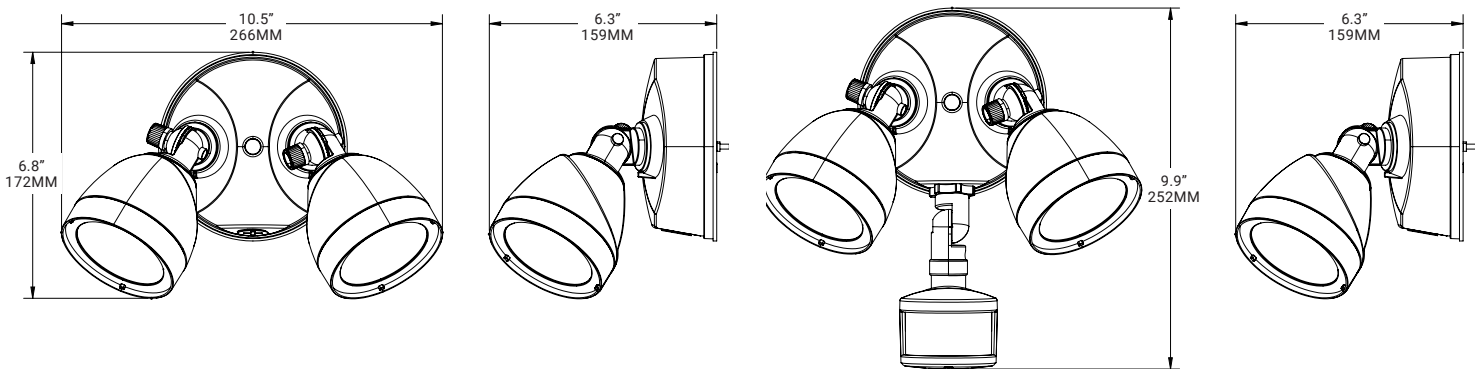
Dimensions: Flood and Dusk to Dawn



Dimensions: Motion



Dimensions: Connected (HALO Home) (Round heads are being displayed - Square heads are also possible)



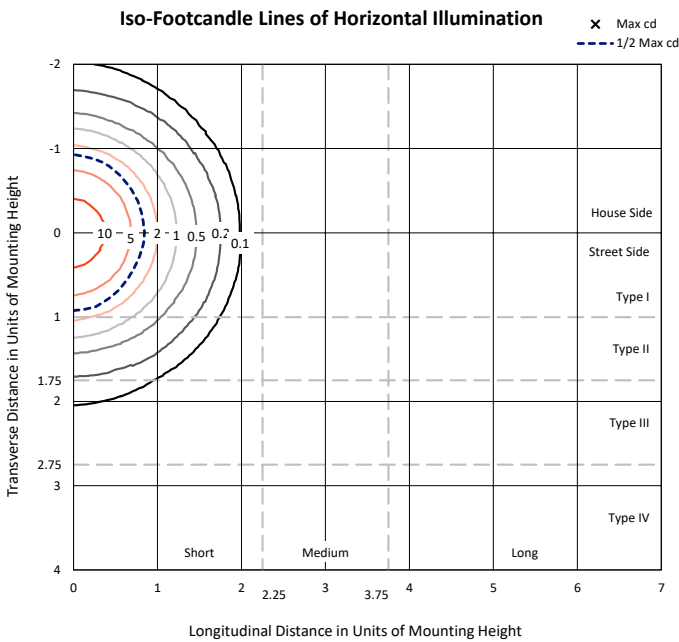
Photometric Data

Description	Single Head	Twin Round	Twin Square	Triple Round
SKU	TGS3S401xSxx	TGS2S402xRxx	TGS2S402xSxx	TGS3S403xSxx
LUMENS (LIGHT OUTPUT)	3324	2642	2691	3449
WATTS	26.7	21.6	20.9	26.8
LUMENS PER WATT (EFFICACY)	124.5	122.3	128.8	128.7
COLOR ACCURACY (CRI)	70	70	70	70
LIGHT COLOR (CCT)	4000	4000	4000	4000

Lumen Maintenance

Ambient Temperature	TM-21 Lumen Maintenance (60,000 Hours)	TM-21 Lumen Maintenance (100,000 Hours)
25°C	82.90%	73.96%

Photometric Data :TGS2S402[F;D;M]R[R;C][B;W]

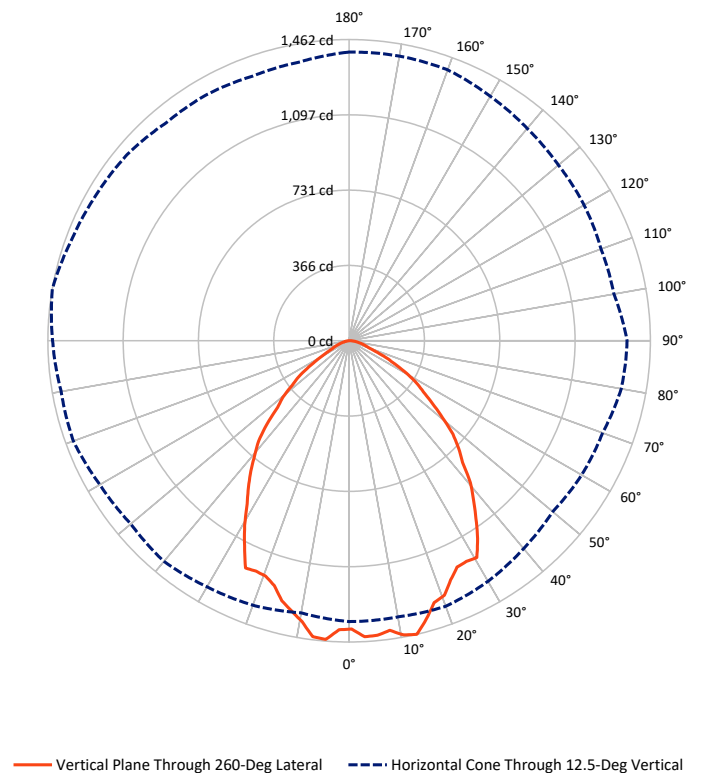


Based on 10 foot mounting height. Maximum calculated value = 14.1 fc
 Type I - Short - Cutoff

ZONAL LUMENS:

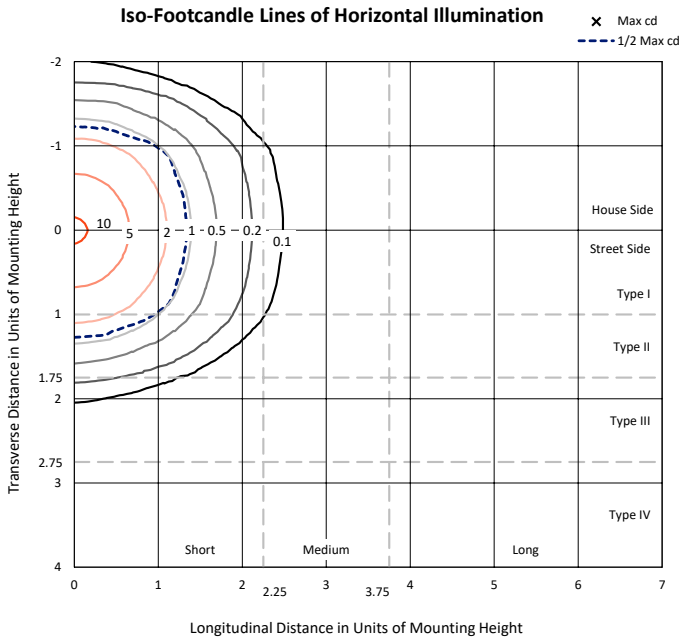
Zone	Lumens	% Fixture
0°-10°	133.2	5.1
10°-20°	377.2	14.3
20°-30°	550.1	20.9
30°-40°	603.3	22.9
40°-50°	497.7	18.9
50°-60°	286.0	10.9
60°-70°	124.9	4.7
70°-80°	47.8	1.8
80°-90°	9.9	0.4
90°-100°	0.5	0.0
100°-110°	0.0	0.0
110°-120°	0.0	0.0
120°-130°	0.0	0.0
130°-140°	0.0	0.0
140°-150°	0.0	0.0
150°-160°	0.0	0.0
160°-170°	0.0	0.0
170°-180°	0.0	0.0
0°-90°	2630.0	100.0
0°-180°	2630.5	100.0

Luminous Intensity Polar Plot



FIELD PERFORMANCE MAY DIFFER FROM LABORATORY PERFORMANCE

Photometric Data :TGS2S402[F;D;M]S[R;C][B;W]

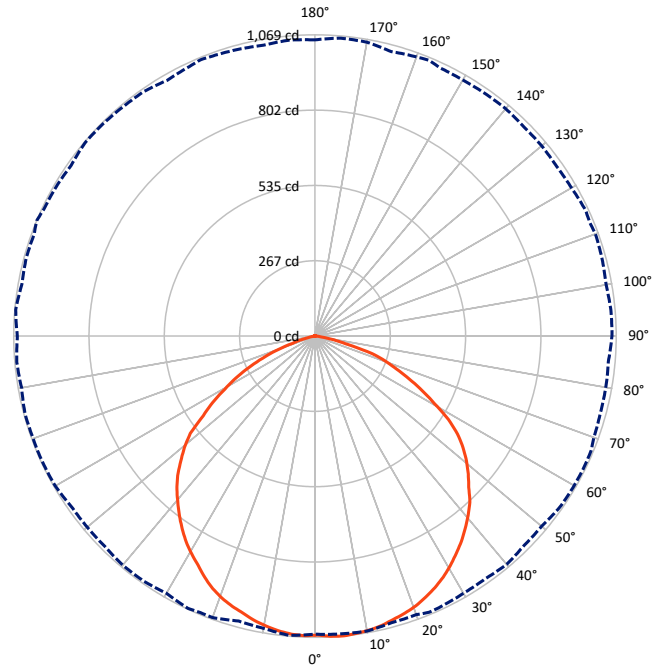


Based on 10 foot mounting height. Maximum calculated value = 10.6 fc
Type II - Short - Cutoff

ZONAL LUMENS:

Zone	Lumens	% Fixture
0°-10°	100.4	3.7
10°-20°	289.0	10.7
20°-30°	442.8	16.4
30°-40°	539.9	20.0
40°-50°	563.8	20.9
50°-60°	452.1	16.8
60°-70°	223.0	8.3
70°-80°	65.9	2.4
80°-90°	9.9	0.4
90°-100°	2.9	0.1
100°-110°	2.3	0.1
110°-120°	1.9	0.1
120°-130°	1.5	0.1
130°-140°	1.0	0.0
140°-150°	0.7	0.0
150°-160°	0.5	0.0
160°-170°	0.2	0.0
170°-180°	0.0	0.0
0°-90°	2686.8	99.6
0°-180°	2697.9	100.0

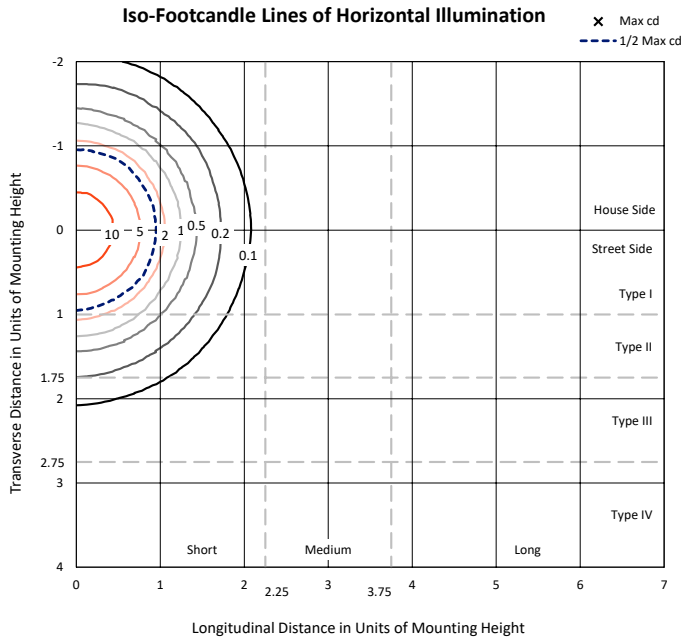
Luminous Intensity Polar Plot



— Vertical Plane Through 247.5-Deg Lateral - - - Horizontal Cone Through 5-Deg Vertical

FIELD PERFORMANCE MAY DIFFER FROM LABORATORY PERFORMANCE

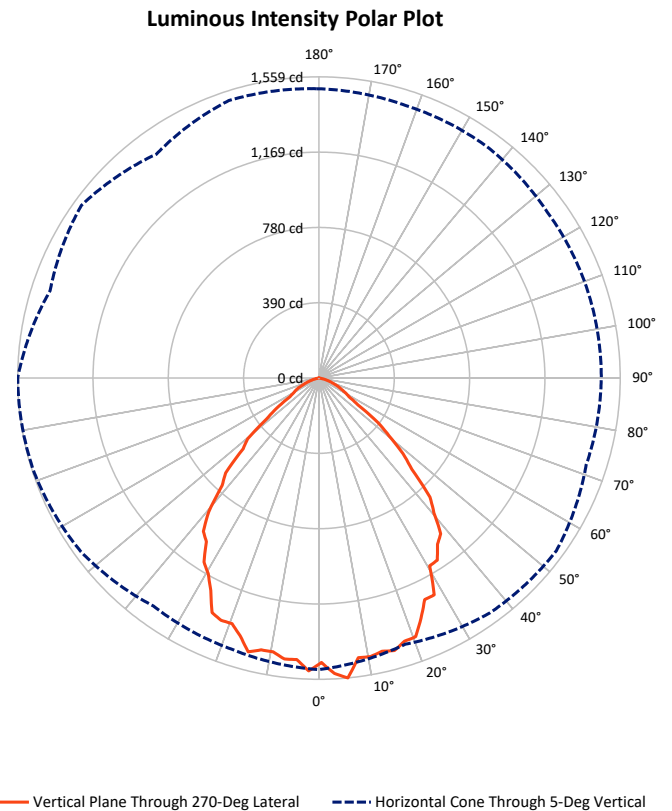
Photometric Data : TGS2SCS2[F;M]RBLE40A[B;W]



Based on 10 foot mounting height. Maximum calculated value = 14.7 fc
 Type V - Short - Full Cutoff

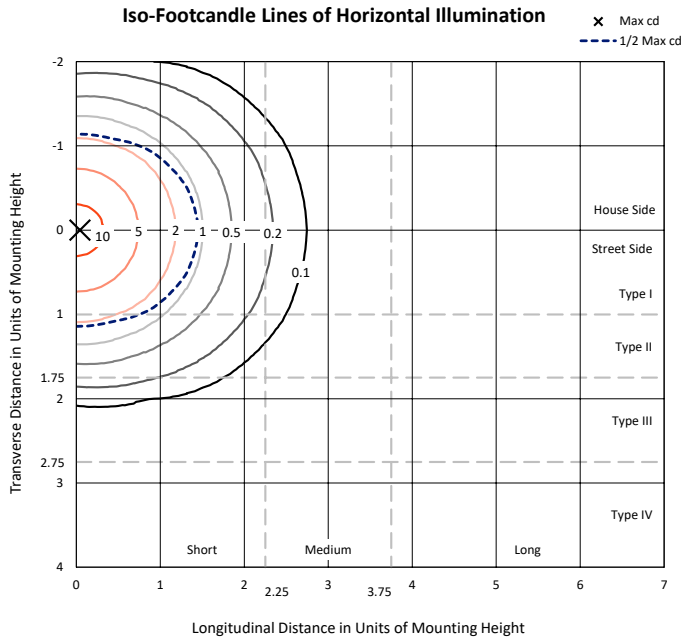
ZONAL LUMENS:

Zone	Lumens	% Fixture
0°-10°	142.2	5.2
10°-20°	408.1	15.0
20°-30°	591.4	21.7
30°-40°	652.9	24.0
40°-50°	525.6	19.3
50°-60°	247.8	9.1
60°-70°	112.5	4.1
70°-80°	40.9	1.5
80°-90°	3.3	0.1
90°-100°	0.0	0.0
100°-110°	0.0	0.0
110°-120°	0.0	0.0
120°-130°	0.0	0.0
130°-140°	0.0	0.0
140°-150°	0.0	0.0
150°-160°	0.0	0.0
160°-170°	0.0	0.0
170°-180°	0.0	0.0
0°-90°	2724.8	100.0
0°-180°	2724.8	100.0



FIELD PERFORMANCE MAY DIFFER FROM LABORATORY PERFORMANCE

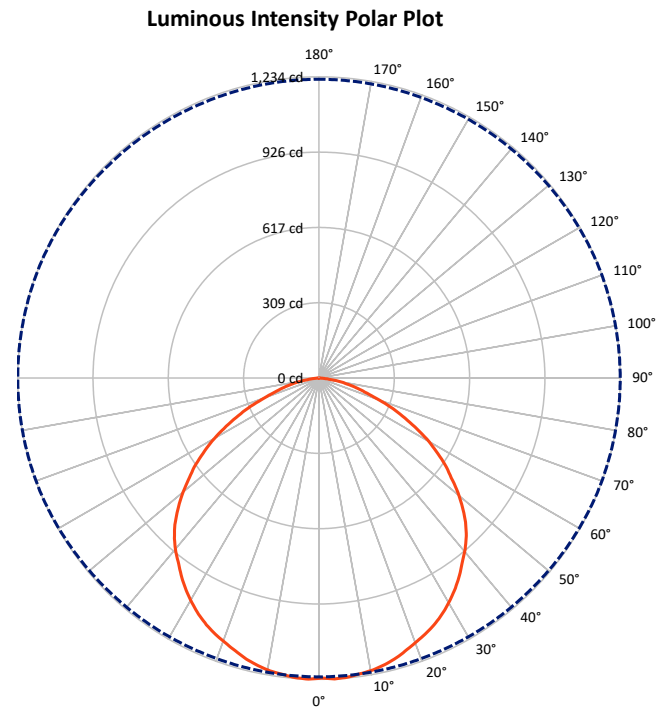
Photometric Data : TGS2SCS2[F;M]SBLE40A[B;W]



Based on 10 foot mounting height. Maximum calculated value = 12.3 fc
 Type V - Short - Cutoff

ZONAL LUMENS:

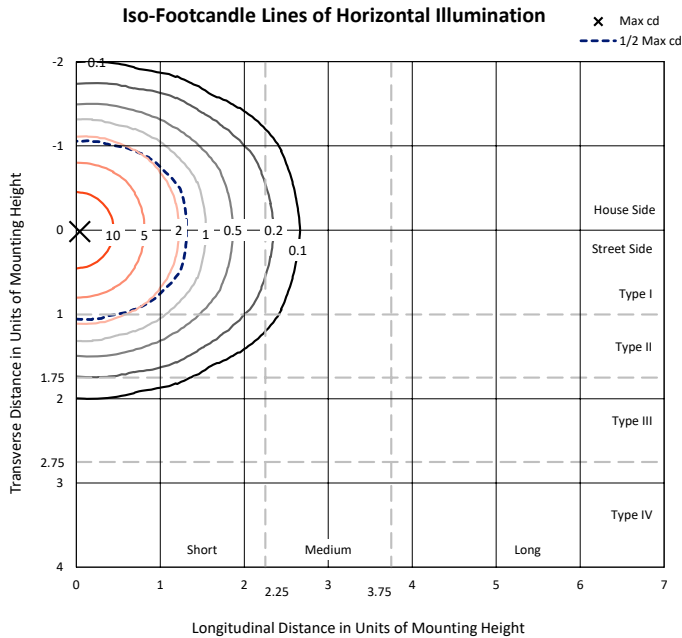
Zone	Lumens	% Fixture
0°-10°	116.3	3.9
10°-20°	332.4	11.0
20°-30°	502.5	16.7
30°-40°	606.6	20.2
40°-50°	600.3	20.0
50°-60°	474.1	15.8
60°-70°	254.4	8.5
70°-80°	88.6	2.9
80°-90°	17.9	0.6
90°-100°	3.9	0.1
100°-110°	3.0	0.1
110°-120°	2.8	0.1
120°-130°	1.9	0.1
130°-140°	1.5	0.1
140°-150°	1.2	0.0
150°-160°	0.7	0.0
160°-170°	0.3	0.0
170°-180°	0.1	0.0
0°-90°	2993.1	99.5
0°-180°	3008.6	100.0



— Vertical Plane Through 90-Deg Lateral - - - Horizontal Cone Through 2.5-Deg Vertical

FIELD PERFORMANCE MAY DIFFER FROM LABORATORY PERFORMANCE

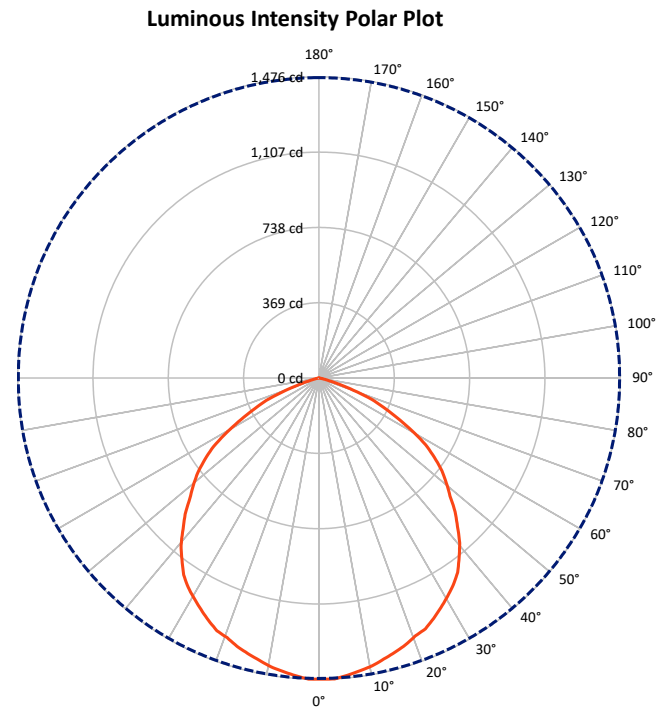
Photometric Data : TGS3S401[F;D;M]S[R;C][B;W]



Based on 10 foot mounting height. Maximum calculated value = 14.8 fc
 Type V - Short - Full Cutoff

ZONAL LUMENS:

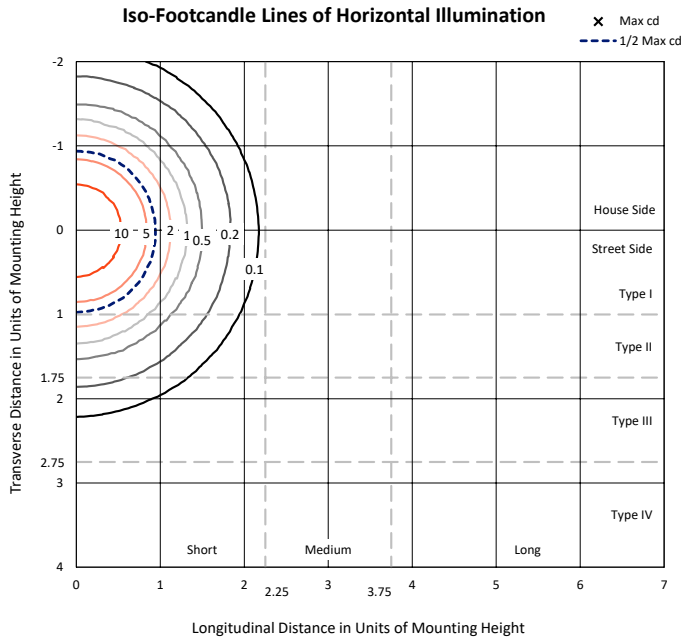
Zone	Lumens	% Fixture
0°-10°	138.8	4.2
10°-20°	394.8	11.9
20°-30°	603.8	18.2
30°-40°	727.6	22.0
40°-50°	686.8	20.7
50°-60°	481.5	14.5
60°-70°	224.1	6.8
70°-80°	50.5	1.5
80°-90°	4.9	0.1
90°-100°	0.0	0.0
100°-110°	0.0	0.0
110°-120°	0.0	0.0
120°-130°	0.0	0.0
130°-140°	0.0	0.0
140°-150°	0.0	0.0
150°-160°	0.0	0.0
160°-170°	0.0	0.0
170°-180°	0.0	0.0
0°-90°	3312.8	100.0
0°-180°	3312.8	100.0



— Vertical Plane Through 67.5-Deg Lateral --- Horizontal Cone Through 2.5-Deg Vertical

FIELD PERFORMANCE MAY DIFFER FROM LABORATORY PERFORMANCE

Photometric Data : TGS3S403[F;D;M]R[R;C][B;W]

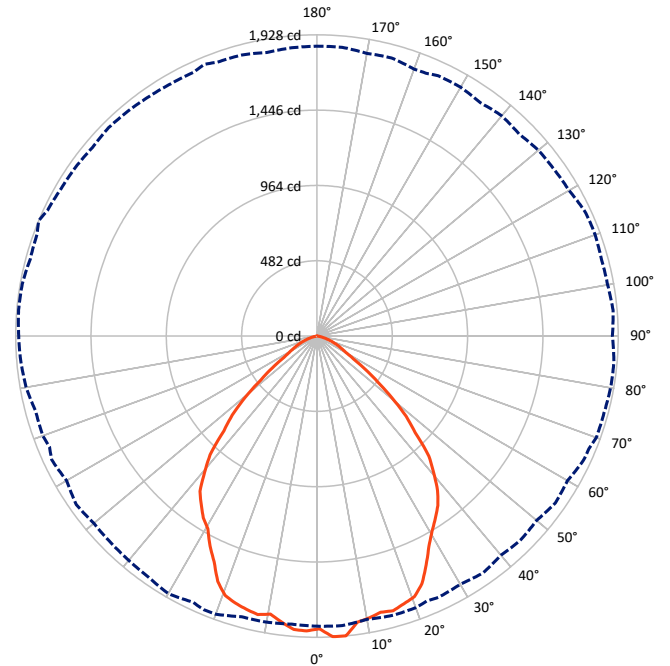


Based on 10 foot mounting height. Maximum calculated value = 18.7 fc
 Type V - Short - Full Cutoff

ZONAL LUMENS:

Zone	Lumens	% Fixture
0°-10°	175.9	5.1
10°-20°	507.4	14.8
20°-30°	734.4	21.4
30°-40°	813.4	23.7
40°-50°	672.2	19.6
50°-60°	330.9	9.6
60°-70°	143.7	4.2
70°-80°	52.3	1.5
80°-90°	4.9	0.1
90°-100°	0.0	0.0
100°-110°	0.0	0.0
110°-120°	0.0	0.0
120°-130°	0.0	0.0
130°-140°	0.0	0.0
140°-150°	0.0	0.0
150°-160°	0.0	0.0
160°-170°	0.0	0.0
170°-180°	0.0	0.0
0°-90°	3435.2	100.0
0°-180°	3435.2	100.0

Luminous Intensity Polar Plot



— Vertical Plane Through 247.5-Deg Lateral --- Horizontal Cone Through 5-Deg Vertical

FIELD PERFORMANCE MAY DIFFER FROM LABORATORY PERFORMANCE