

Haier

Submittals

FlexFit Multi Series

Rev. Mar. 2021



Outdoor

2U18MS2VHB
3U24MS2VHB
4U36MS2VHB

Indoor

AW07LC2VHB
AW09LC2VHB
AW12LC2VHB
AW18LC2VHB
AW24LP2VHA
AB09SC2VHA
AB12SC2VHA
AB18SC2VHA
AL24LP2VHA
AD07SL2VHB
AD09SL2VHB
AD12SL2VHB
AD18SL2VHB
AM24LP2VHA
USYM09UCDSA
USYM12UCDSA
USYM18UCDSA
USYM24UCDSA
USYF09UCDWA
USYF12UCDWA
USYF18UCDWA



For more information visit us:
www.Haierductless.com
www.Haierductlesshelp.com

Revision History

Rev. Jan. 2017 - Submittal edition release.

Rev. Mar. 2017 - Heat capacity data updated to include -4°F (-20°C) outdoor DB

Rev. Mar. 2017.2 - 3U capacity correction (non-ducted heating: 17°F (-8C); 4U capacity correction (ducted heating: 5°F (-15C)

Rev. May 2017 - 2U/3U/4U capacity chart corrections. Added 14°F (-10°C) cooling capacities.

Rev. Sept 2017 - Corrected factory charge of 3U24MS2VHB to 67.0 oz.

Rev. April 2018 - Added Motor Ratings (all models), Condensate Pump Lift (AB09SC2VH*, AB12SC2VH*, AB18SC2VH*, AD07SL2VH*, AD09SL2VH*, AD12SL2VH*, AD18SL2VH*, AM24LP2VHA, AL24LP2VHA); Maximum ESP (AD07SL2VH*, AD09SL2VH*, AD12SL2VH*, AD18SL2VH*, AM24LP2VHA); Updated dimension diagrams (AB models, AL models, AD models, AM24LP2VHA)

Rev. May 2019 - Accessories & electrical requirement update.

Rev. Sept. 2019 - 4U36MS2VHB combination table updated.

Rev. Mar. 2020 - 2U18MS2VHB capacity correction.

Rev. June 2020 - Updated to include USYM Series & USYF series.

Rev. July 2020 - Added ODU floor mounting dimensions diagrams.

Rev. Aug 2020 - Correct vapor line size for USYM18UCDSA. Controller updates. Added matching tables.

Rev. Mar 2021 - AM24LP2VHA Image/description correction.

Haier Matching Tables

2U18MS2VHB Combinations

	Unit B	Unit A	Total Capacity
Two Zone	7K	7K	14K
	7K	9K	16K
	7K	12K	19K
	9K	9K	18K
	9K	12K	21K
	12K	12K	24K

3U24MS2VHB Combinations

	Unit C	Unit B	Unit A	Total Capacity
Two Zone	7K	7K	—	14K
	7K	9K	—	16K
	7K	12K	—	19K
	9K	9K	—	18K
	9K	12K	—	21K
	12K	12K	—	24K
	7K	18K	—	25K
	9K	18K	—	27K
	12K	18K	—	30K
Three Zone	7K	7K	7K	21K
	7K	7K	9K	23K
	7K	7K	12K	26K
	7K	9K	9K	25K
	7K	9K	12K	28K
	9K	9K	9K	27K
	9K	9K	12K	30K
	7K	12K	12K	31K
	7K	7K	18K	32K
9K	12K	12K	33K	

4U36MS2VHB Combinations

	Unit D	Unit C	Unit B	Unit A	Total Capacity
Two Zone	18K	9K	—	—	27K
	18K	12K	—	—	30K
	24K	7K	—	—	31K
	24K	9K	—	—	33K
	18K	18K	—	—	36K
	24K	12K	—	—	36K
	18K	24K	—	—	42K
	24K	24K	—	—	48K
Three Zone	7K	7K	12K	—	26K
	9K	9K	9K	—	27K
	12K	9K	7K	—	28K
	12K	9K	9K	—	30K
	12K	12K	7K	—	31K
	18K	7K	7K	—	32K
	12K	12K	9K	—	33K
	18K	9K	7K	—	34K
	12K	12K	12K	—	36K
	18K	9K	9K	—	36K
	18K	12K	7K	—	37K
	24K	7K	7K	—	38K
	18K	12K	9K	—	39K
	24K	7K	9K	—	40K
	18K	12K	12K	—	42K
	24K	9K	9K	—	42K
	24K	12K	7K	—	43K
	24K	12K	9K	—	45K
	24K	12K	12K	—	48K
	18K	18K	12K	—	48K
Four Zone	7K	7K	7K	7K	28K
	9K	7K	7K	7K	30K
	9K	9K	7K	7K	32K
	12K	7K	7K	7K	33K
	9K	9K	9K	7K	34K
	12K	9K	7K	7K	35K
	9K	9K	9K	9K	36K
	12K	9K	9K	7K	37K
	12K	12K	7K	7K	38K
	18K	7K	7K	7K	39K
	12K	9K	9K	9K	39K
	12K	12K	9K	7K	40K
	18K	9K	7K	7K	41K
	12K	12K	9K	9K	42K
	18K	9K	9K	7K	43K
	12K	12K	12K	7K	43K
	18K	12K	7K	7K	44K
	24K	7K	7K	7K	45K
	12K	12K	12K	9K	45K
	24K	9K	7K	7K	47K
	18K	12K	9K	9K	48K
	12K	12K	12K	12K	48K

Haier FlexFit Multi Series Submittal

18000 BTU/HR INVERTER DRIVEN MULTI-ZONE HEAT PUMP SYSTEM

2U18MS2VHB

Job Name: _____

Purchaser: _____

Submitted To: _____

Construction: _____

Reference: _____

Approval: _____

Date: _____

Submitted By: _____

Unit: _____

Drawing #: _____



Accessories

Wind Baffle

Uses wind baffle QAWB43A

Electrical Requirement

Power Supply	208/230V, 1 Phase, 60 HZ
Operating Voltage Range	187~253 VAC
Recommended Fuse/Breaker Size	25A
MCA	15A

Connecting cable to indoor units must be 14/4 AWG unshielded stranded copper. Cable must be ran continuous, without splicing.

Operating Range

Cooling	14~115°F (-10~46°C)
Heating	-4~75°F (-20~24°C)

Heating Performance

Heating Capacity Range	6,100~21,5000 BTU
HSPF (Non-Ducted/Ducted)	9.0/.8.5

Cooling Performance

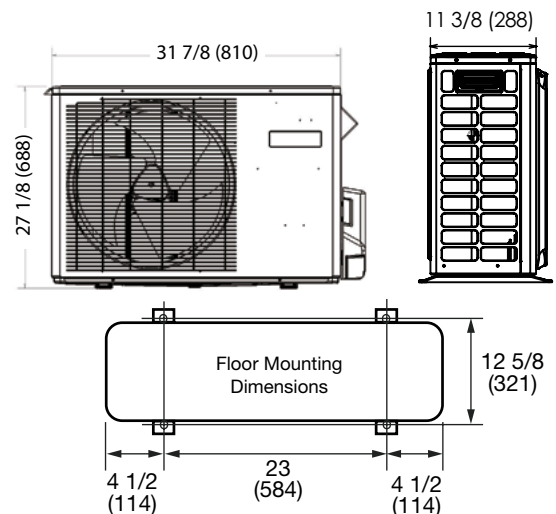
Cooling Capacity Range	4,400~19,400 BTU
Rated Power Input (Non-Ducted/Ducted)	1,650/1,760 W
SEER (Non-Ducted/Ducted)	16.0/16.0
EER (Non-Ducted/Ducted)	10.5/8.5

Pipe Length

Minimum Pipe Length (Each)	6 ft
Maximum Pipe Length (Each/All)	65 ft /98 ft
Pre-Charged	50 ft
Additional Charge	0.2 oz/ft
Maximum Pipe Height Difference	50 ft
Flare Connection	1/4", 1/4"(Discharge) 3/8", 3/8" (Suction)

Outdoor Unit

Compressor	DC inverter Driven Rotary
Uncrated Dimension (HxWxD)	27 1/8 x 31 7/8 x 11 3/8 in (688 x 810 x 288 mm)
Crated (HxWxD)	29 7/8 x 37 3/8 x 16 in (760 x 949 x 406 mm)
Outdoor Sound Rating dB	53
Heat Exchanger Fin Type	Blue Fin
Weight (Ship/Net)	102.5/95.9 lbs
Factory Refrigerant Charge	R-410A (49.5 oz)



For more information visit us:
www.Haierductless.com
www.Haierductlesshelp.com



Haier FlexFit Multi Series Submittal

18000 BTU/HR INVERTER DRIVEN MULTI-ZONE HEAT PUMP SYSTEM

2U18MS2VHB

Heating Capacity Data - Non Ducted

Outdoor Air Temp DB	Indoor Set Temperature					
	60°F (16°C)		70°F (21°C)		77°F (25°C)	
	Maximum Heating Capacity (Btu/h)	Power Usage (w)	Max Heating Capacity (Btu/h)	Power Usage (w)	Max Heating Capacity (Btu/h)	Power Usage (w)
-4°F (-20°C)	12,200	1,480	10,520	1,510	9,570	1,620
5°F (-15°C)	13,720	1,470	12,550	1,450	11,570	1,500
17°F (-8°C)	16,870	1,500	15,290	1,600	14,210	1,650
47°F (8°C)	17,550	1,330	16,200	1,460	13,790	1,600

Heating Capacity Data - Ducted

Outdoor Air Temp DB	Indoor Set Temperature					
	60°F (16°C)		70°F (21°C)		77°F (25°C)	
	Maximum Heating Capacity (Btu/h)	Power Usage (w)	Max Heating Capacity (Btu/h)	Power Usage (w)	Max Heating Capacity (Btu/h)	Power Usage (w)
-4°F (-20°C)	10,460	1,220	9,020	1,450	8,210	1,550
5°F (-15°C)	13,620	1,400	12,440	1,480	11,380	1,620
17°F (-8°C)	16,530	1,600	15,100	1,700	13,850	1,700
47°F (8°C)	17,330	1,380	16,110	1,560	13,540	1,660

Capacity and power usage are measured under the assumption of indoor humidity of 46%

Cooling Capacity Data - Non Ducted

Outdoor Air Temp DB	Indoor Set Temperature					
	70°F (21°C)		75°F (24°C)		80°F (27°C)	
	Total Capacity (Btu/h)	Power Usage (w)	Total Capacity (Btu/h)	Power Usage (w)	Total Capacity (Btu/h)	Power Usage (w)
14°F (-10°C)	6,530	630	7,210	660	7,620	690
65°F (18°C)	12,330	980	13,700	1,230	13,080	1,020
75°F (24°C)	11,260	1,520	12,890	1,560	13,340	1,590
85°F (29°C)	14,110	1,530	15,430	1,590	16,480	1,620
95°F (35°C)	15,090	1,610	16,970	1,680	18,050	1,710
105°F (41°C)	15,080	1,720	16,910	1,780	17,580	1,800
115°F (46°C)	13,580	1,430	14,870	1,540	15,860	1,450

Cooling Capacity Data - Ducted

Outdoor Air Temp DB	Indoor Set Temperature					
	70°F (21°C)		75°F (24°C)		80°F (27°C)	
	Total Capacity (Btu/h)	Power Usage (w)	Total Capacity (Btu/h)	Power Usage (w)	Total Capacity (Btu/h)	Power Usage (w)
14°F (-10°C)	6,370	750	7,020	810	7,500	830
65°F (18°C)	12,200	1,230	12,880	1,250	12,980	1,290
75°F (24°C)	12,900	1,370	13,600	1,440	14,600	1,500
85°F (29°C)	13,760	1,520	14,800	1,590	16,150	1,720
95°F (35°C)	14,680	1,630	16,420	1,790	18,000	1,950
105°F (41°C)	14,360	1,610	15,690	1,750	17,490	1,920
115°F (46°C)	13,200	1,520	13,860	1,620	15,700	1,750

Capacity and power usage are measured under the assumption of indoor humidity of 46%

Haier FlexFit Multi Series Submittal

24000 BTU/HR INVERTER DRIVEN MULTI-ZONE HEAT PUMP SYSTEM

3U24MS2VHB

Job Name: _____

Purchaser: _____

Submitted To: _____

Construction: _____

Reference: _____

Approval: _____

Date: _____

Submitted By: _____

Unit: _____

Drawing #: _____



Accessories

Wind Baffle

Uses wind baffle QAWB44A

Electrical Requirement

Power Supply	208/230V, 1 Phase, 60 HZ
Operating Voltage Range	187~253 VAC
Recommended Fuse/Breaker Size	25A
MCA	18A

Connecting cable to indoor units must be 14/4 AWG unshielded stranded copper. Cable must be ran continuous, without splicing.

Operating Range

Cooling	14~115°F (-10~46°C)
Heating	-4~75°F (-20~24°C)

Heating Performance

Heating Capacity Range (Non-Ducted/Ducted)	6,100~25,500 BTU/ 6,100~25,000 BTU
HSPF (Non-Ducted/Ducted)	10.0/8.5

Cooling Performance

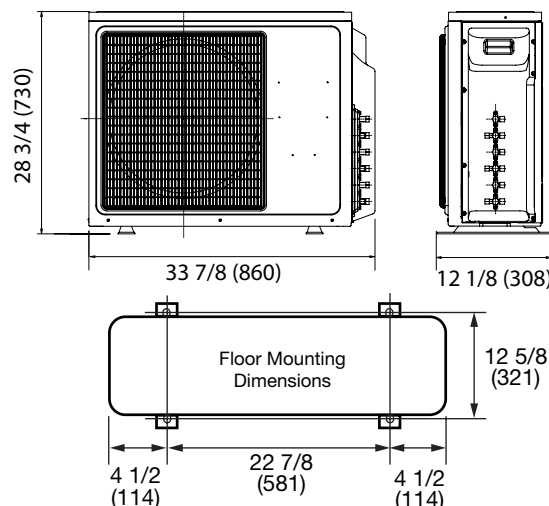
Cooling Capacity Range (Non-Ducted/Ducted)	5,000~24,500 BTU/ 5,000~23,000 BTU
Rated Power Input (Non-Ducted/Ducted)	2,250/2,416 W
SEER (Non-Ducted/Ducted)	18.0/16.0
EER (Non-Ducted/Ducted)	10.0/8.5

Pipe Length

Minimum Pipe Length (Each)	6 ft
Maximum Pipe Length (Each/All)	82 ft /197 ft
Pre-Charged	75 ft
Additional Charge	0.2 oz/ft
Maximum Pipe Height Difference	50 ft
Flare Connection	1/4", 1/4", 1/4" (Discharge) 3/8", 3/8", 3/8" (Suction)

Outdoor Unit

Compressor	DC inverter Driven Rotary
Uncrated Dimension (HxWxD)	28 3/4 x 33 7/8 x 12 1/8 in (730 x 860 x 308 mm)
Crated (HxWxD)	32 5/8 x 39 3/4 x 16 7/8 in (830 x 1010 x 430 mm)
Outdoor Sound Rating dB	54
Heat Exchanger Fin Type	Blue Fin
Weight (Ship/Net)	123.5/116.8 lbs
Factory Refrigerant Charge	R-410A (67.0 oz)



For more information visit us:
www.Haierductless.com
www.Haierductlesshelp.com



Haier FlexFit Multi Series Submittal

24000 BTU/HR INVERTER DRIVEN MULTI-ZONE HEAT PUMP SYSTEM

3U24MS2VHB

Heating Capacity Data - Non Ducted

Outdoor Air Temp DB	Indoor Set Temperature					
	60°F (16°C)		70°F (21°C)		77°F (25°C)	
	Maximum Heating Capacity (Btu/h)	Power Usage (w)	Max Heating Capacity (Btu/h)	Power Usage (w)	Max Heating Capacity (Btu/h)	Power Usage (w)
-4°F (-20°C)	15,660	1,890	13,500	1,960	12,370	2,080
5°F (-15°C)	15,980	1,810	14,960	1,900	12,570	1,920
17°F (-8°C)	17,790	1,940	17,720	1,970	14,650	1,980
47°F (8°C)	27,400	2,150	25,600	2,350	22,860	2,440

Heating Capacity Data - Ducted

Outdoor Air Temp DB	Indoor Set Temperature					
	60°F (16°C)		70°F (21°C)		77°F (25°C)	
	Maximum Heating Capacity (Btu/h)	Power Usage (w)	Max Heating Capacity (Btu/h)	Power Usage (w)	Max Heating Capacity (Btu/h)	Power Usage (w)
-4°F (-20°C)	12,760	1,650	11,000	1,670	10,120	1,790
5°F (-15°C)	15,500	1,940	15,290	2,020	10,280	1,850
17°F (-8°C)	17,630	1,900	17,360	2,070	13,100	1,920
47°F (8°C)	26,200	2,050	24,580	2,180	22,300	2,300

Capacity and power usage are measured under the assumption of indoor humidity of 46%

Cooling Capacity Data - Non Ducted

Outdoor Air Temp DB	Indoor Set Temperature					
	70°F (21°C)		75°F (24°C)		80°F (27°C)	
	Total Capacity (Btu/h)	Power Usage (w)	Total Capacity (Btu/h)	Power Usage (w)	Total Capacity (Btu/h)	Power Usage (w)
14°F (-10°C)	19,200	1,080	20,430	1,120	21,700	1,190
65°F (18°C)	25,980	1,860	28,640	2,150	30,480	2,260
75°F (24°C)	26,510	2,100	27,530	2,460	28,690	2,650
85°F (29°C)	25,950	2,230	26,180	2,580	27,430	2,740
95°F (35°C)	23,520	2,500	25,360	2,880	26,700	3,000
105°F (41°C)	20,860	2,350	22,270	2,760	23,560	2,850
115°F (46°C)	16,890	1,860	17,950	2,150	18,680	2,350

Cooling Capacity Data - Ducted

Outdoor Air Temp DB	Indoor Set Temperature					
	70°F (21°C)		75°F (24°C)		80°F (27°C)	
	Total Capacity (Btu/h)	Power Usage (w)	Total Capacity (Btu/h)	Power Usage (w)	Total Capacity (Btu/h)	Power Usage (w)
14°F (-10°C)	18,670	1,140	20,110	1,180	21,680	1,220
65°F (18°C)	24,300	1,790	27,100	1,960	28,560	2,010
75°F (24°C)	25,130	1,920	25,800	2,030	26,300	2,100
85°F (29°C)	25,880	2,250	24,150	2,320	24,900	2,360
95°F (35°C)	22,960	2,480	25,200	2,820	26,460	2,890
105°F (41°C)	20,530	2,300	22,170	2,760	22,690	2,650
115°F (46°C)	16,250	1,820	17,850	2,150	18,560	2,400

Capacity and power usage are measured under the assumption of indoor humidity of 46%

Haier FlexFit Multi Series Submittal

36000 BTU/HR INVERTER DRIVEN MULTI-ZONE HEAT PUMP SYSTEM

4U36MS2VHB

Job Name: _____

Purchaser: _____

Submitted To: _____

Construction: _____

Reference: _____

Approval: _____

Date: _____

Submitted By: _____

Unit: _____

Drawing #: _____



Accessories

Wind Baffle

Uses wind baffle QAWB40A

When FlexFit series 24k indoor matches with the 4U36MS2VHB, two adapters are required and need to be purchased separately from Haier parts:

1/4" to 3/8" Part Number: WJ01X23925 (0150704781)

3/8" to 5/8" Part Number: WJ01X23924 (0150707575)

1/2" to 5/8" Part Number: WJ01X23932 (0150709683)

Electrical Requirement

Power Supply	208/230V, 1 Phase, 60 HZ
Operating Voltage Range	187~253 VAC
Recommended Fuse/Breaker Size	30A
MCA	23A

Connecting cable to indoor units must be 14/4 AWG unshielded stranded copper. Cable must be ran continuous, without splicing.

Operating Range

Cooling	14~115°F (-10~46°C)
Heating	-4~75°F (-20~24°C)

Heating Performance

Heating Capacity Range (Non-Ducted/Ducted)	6,100~36,500 BTU/ 6,100~35,000 BTU
HSPF (Non-Ducted/Ducted)	10.0/9.0

Cooling Performance

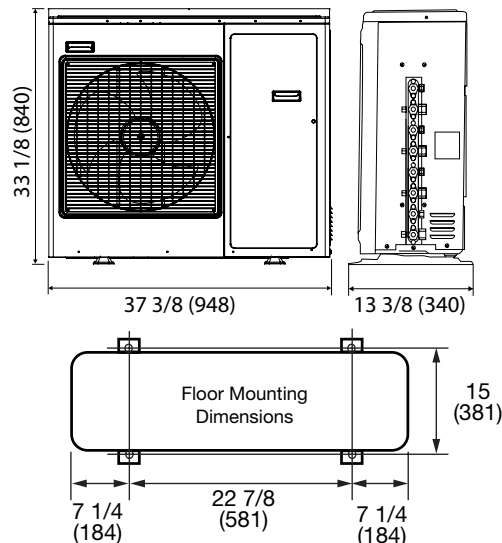
Cooling Capacity Range (Non-Ducted/Ducted)	5,000~36,000 BTU/ 5,000~34,000 BTU
Rated Power Input (Non-Ducted/Ducted)	3,770/3,590 W
SEER (Non-Ducted/Ducted)	18.0/16.0
EER (Non-Ducted/Ducted)	9.0/8.5

Pipe Length

Minimum Pipe Length (Each)	6 ft
Maximum Pipe Length (Each/All)	82 ft /230 ft
Pre-Charged	100 ft
Additional Charge	0.2 oz/ft
Maximum Pipe Height Difference	50 ft
Flare Connection	1/4", 1/4", 1/4", 1/4" (Discharge) 3/8", 3/8", 3/8", 1/2" (Suction)

Outdoor Unit

Compressor	DC inverter Driven Rotary
Uncrated Dimension (HxWxD)	33 1/8 x 37 3/8 x 13 3/8 in (840 x 948 x 340 mm)
Crated (HxWxD)	39 5/8 x 42 7/8 x 16 3/8 in (1005 x 1090 x 415 mm)
Outdoor Sound Rating dB	56
Heat Exchanger Fin Type	Blue Fin
Weight (Ship/Net)	191.8/167.6 lbs
Factory Refrigerant Charge	R-410A (113.0 oz)



For more information visit us:
www.Haierductless.com
www.Haierductlesshelp.com



Haier FlexFit Multi Series Submittal

36000 BTU/HR INVERTER DRIVEN MULTI-ZONE HEAT PUMP SYSTEM

4U36MS2VHB

Heating Capacity Data - Non Ducted

Outdoor Air Temp DB	Indoor Set Temperature					
	60°F (16°C)		70°F (21°C)		77°F (25°C)	
	Maximum Heating Capacity (Btu/h)	Power Usage (w)	Max Heating Capacity (Btu/h)	Power Usage (w)	Max Heating Capacity (Btu/h)	Power Usage (w)
-4°F (-20°C)	20,460	2,650	17,640	2,670	16,410	3,580
5°F (-15°C)	23,980	2,810	21,230	2,610	20,690	3,090
17°F (-8°C)	25,360	2,820	24,260	3,090	22,370	3,180
47°F (8°C)	37,580	3,180	36,500	3,330	34,250	3,460

Heating Capacity Data - Ducted

Outdoor Air Temp DB	Indoor Set Temperature					
	60°F (16°C)		70°F (21°C)		77°F (25°C)	
	Maximum Heating Capacity (Btu/h)	Power Usage (w)	Max Heating Capacity (Btu/h)	Power Usage (w)	Max Heating Capacity (Btu/h)	Power Usage (w)
-4°F (-20°C)	18,970	2,170	15,640	2,450	14,330	2,370
5°F (-15°C)	23,020	2,760	20,040	2,870	17,530	2,920
17°F (-8°C)	25,300	2,890	23,320	3,170	21,750	3,250
47°F (8°C)	36,850	3,090	35,300	3,430	33,540	3,580

Capacity and power usage are measured under the assumption of indoor humidity of 46%

Cooling Capacity Data - Non Ducted

Outdoor Air Temp DB	Indoor Set Temperature					
	70°F (21°C)		75°F (24°C)		80°F (27°C)	
	Total Capacity (Btu/h)	Power Usage (w)	Total Capacity (Btu/h)	Power Usage (w)	Total Capacity (Btu/h)	Power Usage (w)
14°F (-10°C)	25,410	1,850	26,900	1,880	30,520	1,900
65°F (18°C)	34,250	2,830	36,520	2,950	38,400	3,050
75°F (24°C)	33,760	2,940	34,700	3,010	36,580	3,150
85°F (29°C)	31,500	3,460	32,420	3,650	34,890	3,720
95°F (35°C)	32,100	3,680	33,540	3,780	35,100	3,950
105°F (41°C)	25,620	3,440	26,280	3,520	29,260	3,660
115°F (46°C)	22,200	3,050	23,680	3,180	25,380	3,250

Cooling Capacity Data - Ducted

Outdoor Air Temp DB	Indoor Set Temperature					
	70°F (21°C)		75°F (24°C)		80°F (27°C)	
	Total Capacity (Btu/h)	Power Usage (w)	Total Capacity (Btu/h)	Power Usage (w)	Total Capacity (Btu/h)	Power Usage (w)
14°F (-10°C)	24,870	1,870	26,340	1,900	29,400	1,940
65°F (18°C)	34,120	2,780	35,790	2,860	36,850	2,980
75°F (24°C)	33,570	3,020	34,260	3,160	35,780	3,240
85°F (29°C)	30,840	3,490	31,580	3,630	33,520	3,750
95°F (35°C)	31,960	3,710	33,200	3,820	34,500	4,030
105°F (41°C)	25,130	3,480	25,430	3,610	28,460	3,850
115°F (46°C)	21,800	3,070	23,400	3,220	24,300	3,350

Capacity and power usage are measured under the assumption of indoor humidity of 46%

Haier FlexFit Multi Series Submittal

7000 BTU/HR WALL MOUNTED INVERTER DRIVEN HEAT PUMP SYSTEM(INDOOR for multi-zone) AW07LC2VHB

Job Name: _____

Purchaser: _____

Submitted To: _____

Construction: _____

Reference: _____

Approval: _____

Date: _____

Submitted By: _____

Unit: _____

Drawing #: _____



Electrical Requirement

Power Supply	208/230V, 1 Phase, 60 HZ
Operating Voltage Range	187~253 VAC

Performance

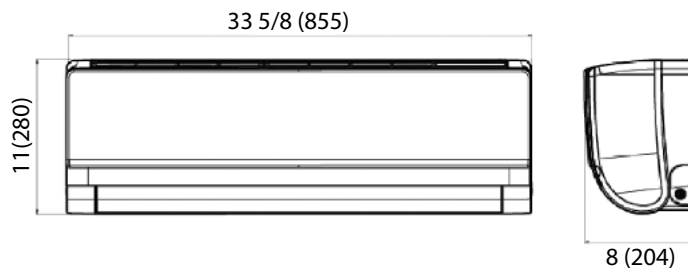
Rated Cooling Capacity	7,000 BTU
Rated Heating Capacity	8,000 BTU

Piping

Connection	1/4" (Discharge) 3/8" (Suction) Flare
------------	--

Indoor Unit

Uncrated Dimension (HxWxD)	11 x 33 5/8 x 8 in (280 x 855 x 204 mm)
Crated (HxWxD)	14 x 37 1/2 x 11 in (355 x 954 x 279 mm)
Airflow CFM (Turbo/High/Med/Low/Quiet)	410/350/295/235/205
Indoor Sound Level dB (Turbo/High/Med/Low/Quiet)	43/38/33/26/22
Motor Rating (HP)	0.054
Heat Exchanger Fin Type	Blue Fin
Weight (Ship/Net)	26.9/22.0 lbs



Accessories

Remote Controller

Ships with Primary Remote Control

Wired Controller

Compatible with Touch Wall Controller (discontinued), Programmable Wired Controller, and Simple Wired Controller. All wired controllers require interface kit WK-B.

WiFi

Compatible with WiFi Module.



For more information visit us:
www.Haierductless.com
www.Haierductlesshelp.com



Haier FlexFit Multi Series Submittal

9000 BTU/HR WALL MOUNTED INVERTER DRIVEN HEAT PUMP SYSTEM(INDOOR for multi-zone)

AW09LC2VHB

Job Name: _____

Purchaser: _____

Submitted To: _____

Construction: _____

Reference: _____

Approval: _____

Date: _____

Submitted By: _____

Unit: _____

Drawing #: _____



Electrical Requirement

Power Supply	208/230V, 1 Phase, 60 HZ
Operating Voltage Range	187~253 VAC

Performance

Rated Cooling Capacity	9,000 BTU
Rated Heating Capacity	10,000 BTU

Piping

Connection	1/4" (Discharge) 3/8" (Suction) Flare
------------	--

Accessories

Remote Controller

Ships with Primary Remote Control

Wired Controller

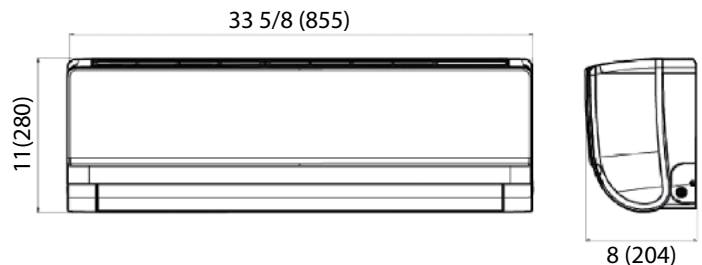
Compatible with Touch Wall Controller (discontinued), Programmable Wired Controller, and Simple Wired Controller. All wired controllers require interface kit WK-B.

WiFi

Compatible with WiFi Module.

Indoor Unit

Uncrated Dimension (HxWxD)	11 x 33 5/8 x 8 in (280 x 855 x 204 mm)
Crated (HxWxD)	14 x 37 1/2 x 11 in (355 x 954 x 279 mm)
Airflow CFM (Turbo/High/Med/Low/Quiet)	410/350/295/235/205
Indoor Sound Level dB (Turbo/High/Med/Low/Quiet)	43/38/33/26/22
Motor Rating (HP)	0.054
Heat Exchanger Fin Type	Blue Fin
Weight (Ship/Net)	26.9/22.0 lbs



For more information visit us:
www.Haierductless.com
www.Haierductlesshelp.com

Haier FlexFit Multi Series Submittal

12000 BTU/HR WALL MOUNTED INVERTER DRIVEN HEAT PUMP SYSTEM(INDOOR for multi-zone)

AW12LC2VHB

Job Name: _____

Purchaser: _____

Submitted To: _____

Construction: _____

Reference: _____

Approval: _____

Date: _____

Submitted By: _____

Unit: _____

Drawing #: _____



Electrical Requirement

Power Supply	208/230V, 1 Phase, 60 HZ
Operating Voltage Range	187~253 VAC

Performance

Rated Cooling Capacity	12,000 BTU
Rated Heating Capacity	13,000 BTU

Piping

Connection	1/4" (Discharge) 3/8" (Suction) Flare
------------	--

Accessories

Remote Controller

Ships with Primary Remote Control

Wired Controller

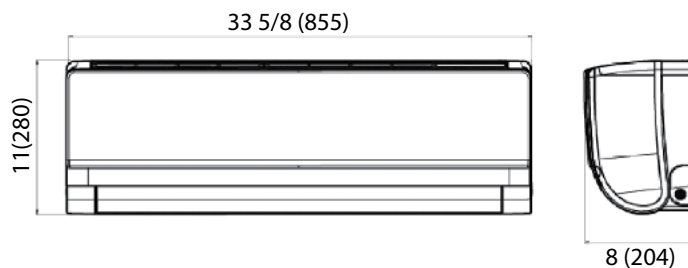
Compatible with Touch Wall Controller (discontinued), Programmable Wired Controller, and Simple Wired Controller. All wired controllers require interface kit WK-B.

WiFi

Compatible with WiFi Module.

Indoor Unit

Uncrated Dimension (HxWxD)	11 x 33 5/8 x 8 in (280 x 855 x 204 mm)
Crated (HxWxD)	14 x 37 1/2 x 11 in (355 x 954 x 279 mm)
Airflow CFM (Turbo/High/Med/Low/Quiet)	440/380/320/265/215
Indoor Sound Level dB (Turbo/High/Med/Low/Quiet)	44/39/34/27/23
Motor Rating (HP)	0.054
Heat Exchanger Fin Type	Blue Fin
Weight (Ship/Net)	26.9/22.0 lbs



For more information visit us:
www.Haierductless.com
www.Haierductlesshelp.com

Haier FlexFit Multi Series Submittal

18000 BTU/HR WALL MOUNTED INVERTER DRIVEN HEAT PUMP SYSTEM(INDOOR for multi-zone)

AW18LC2VHB

Job Name: _____

Purchaser: _____

Submitted To: _____

Construction: _____

Reference: _____

Approval: _____

Date: _____

Submitted By: _____

Unit: _____

Drawing #: _____



Electrical Requirement

Power Supply	208/230V, 1 Phase, 60 HZ
Operating Voltage Range	187~253 VAC

Performance

Rated Cooling Capacity	18,000 BTU
Rated Heating Capacity	19,000 BTU

Piping

Connection	1/4" (Discharge) 1/2" (Suction) Flare
------------	--

Accessories

Remote Controller

Ships with Primary Remote Control

Wired Controller

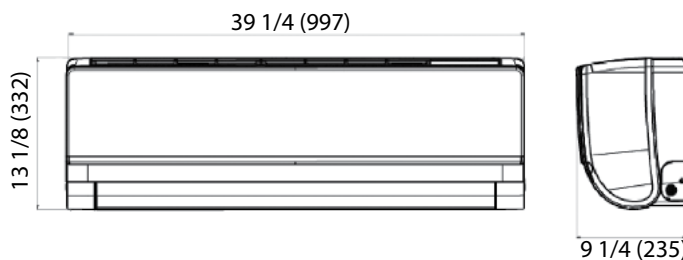
Compatible with Touch Wall Controller (discontinued), Programmable Wired Controller, and Simple Wired Controller. All wired controllers require interface kit WK-B.

WiFi

Compatible with WiFi Module.

Indoor Unit

Uncrated Dimension (HxWxD)	13 1/8 x 39 1/4 x 9 1/4 in (332 x 997 x 235 mm)
Crated (HxWxD)	15 7/8 x 42 3/4 x 13 in (403 x 1085 x 329 mm)
Airflow CFM (Turbo/High/Med/Low/Quiet)	636/530/483/430/383
Indoor Sound Level dB (Turbo/High/Med/Low/Quiet)	48/45/40/35/30
Motor Rating (HP)	0.054
Heat Exchanger Fin Type	Blue Fin
Weight (Ship/Net)	35.3/28.7 lbs



For more information visit us:
www.Haierductless.com
www.Haierductlesshelp.com

Haier FlexFit Multi Series Submittal

24,000 BTU/HR WALL MOUNTED INVERTER DRIVEN HEAT PUMP SYSTEM(INDOOR for multi-zone)

AW24LP2VHA

Job Name: _____

Purchaser: _____

Submitted To: _____

Construction: _____

Reference: _____

Approval: _____

Date: _____

Submitted By: _____

Unit: _____

Drawing #: _____



Electrical Requirement

Power Supply	208/230V, 1 Phase, 60 HZ
Operating Voltage Range	187~253 VAC

Performance

Rated Cooling Capacity	24,000 BTU
Rated Heating Capacity	27,000 BTU

Piping

Connection	3/8" (Discharge) 5/8" (Suction) Flare
------------	--

Accessories

Remote Controller

Ships with Primary Remote Control

Wired Controller

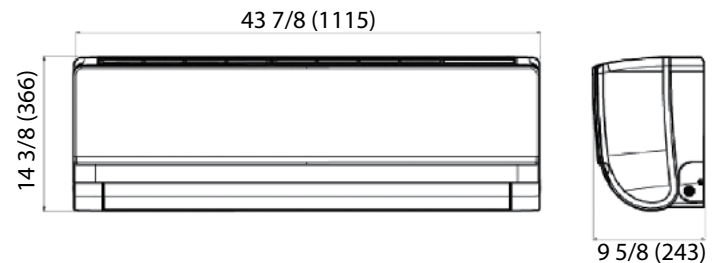
Compatible with Touch Wall Controller (discontinued), Programmable Wired Controller, and Simple Wired Controller. All wired controllers require interface kit WK-B.

WiFi

Compatible with WiFi Module.

Indoor Unit

Uncrated Dimension (HxWxD)	14 3/8 x 43 7/8 x 9 5/8 in (366 x 1115 x 243 mm)
Crated (HxWxD)	16 1/2 x 47 1/2 x 13 1/2 in (418 x 1206 x 342 mm)
Airflow CFM (Turbo/High/Med/Low/Quiet)	710/650/560/440/410
Indoor Sound Level dB (Turbo/High/Med/Low/Quiet)	49/47/42/36/34
Motor Rating (HP)	0.094
Heat Exchanger Fin Type	Blue Fin
Weight (Ship/Net)	45.4/37.5 lbs



For more information visit us:
www.Haierductless.com
www.Haierductlesshelp.com

Haier FlexFit Multi Series Submittal

9000 BTU/HR CASSETTE TYPE INDOOR

AB09SC2VHA

Job Name: _____

Purchaser: _____

Submitted To: _____

Construction: _____

Reference: _____

Approval: _____

Date: _____

Submitted By: _____

Unit: _____

Drawing #: _____



Electrical Requirement

Power Supply	208/230V, 1 Phase, 60 HZ
Operating Voltage Range	187~253 VAC

Performance

Rated Cooling Capacity	9,000 BTU
Rated Heating Capacity	10,000 BTU

Piping

Connection	1/4" (Discharge) 3/8" (Suction) Flare
------------	--

Indoor Unit

Chassis Uncrated Dimension (HxWxD)	10 1/4 x 22 1/2 x 22 1/2 in (260 x 570 x 570 mm)
Chassis Crated (HxWxD)	15 x 28 1/4 x 26 3/4 in (380 x 718 x 680 mm)
Panel Uncrated Dimension (HxWxD)	2 3/8 x 27 1/2 x 27 1/2 in (60 x 700 x 700 mm)
Panel Crated (HxWxD)	4 1/2 x 29 1/8 x 29 1/2 in (115 x 740 x 750 mm)
Airflow CFM (Turbo/High/Med/Low/Quiet)	410/365/305/265/205
Indoor Sound Level dB (Turbo/High/Med/Low/Quiet)	42/40/36/32/25
Motor Rating (HP)	0.033
Heat Exchanger Fin Type	Blue Fin
Condensate Pump	Included - 47.2 in Lift
Weight (Ship/Net)	46.3/37.5 lbs

Accessories

Remote Controller

Ships with Primary Remote Control

Wired Controller

Compatible with Touch Wall Controller (discontinued), Programmable Wired Controller, and Simple Wired Controller.

Panel

PB-700IB is required to complete the installation and it must be ordered separately

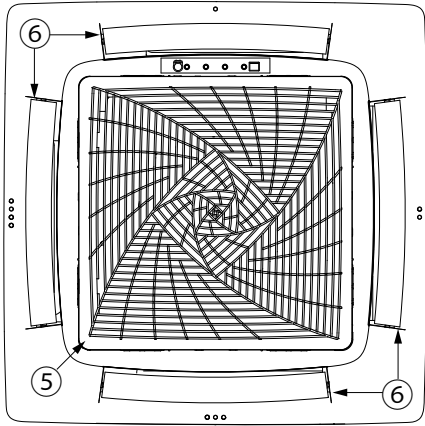


For more information visit us:
www.Haierductless.com
www.Haierductlesshelp.com

Haier FlexFit Multi Series Submittal

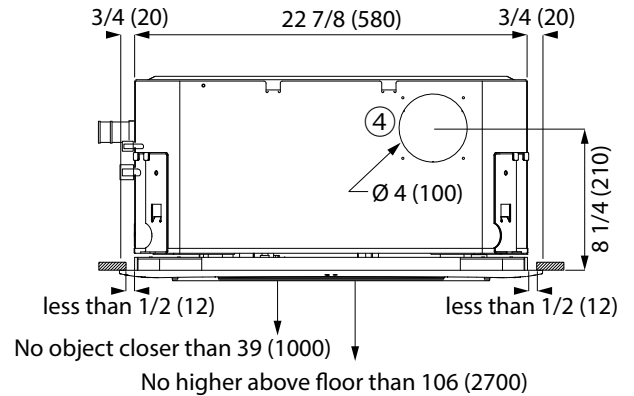
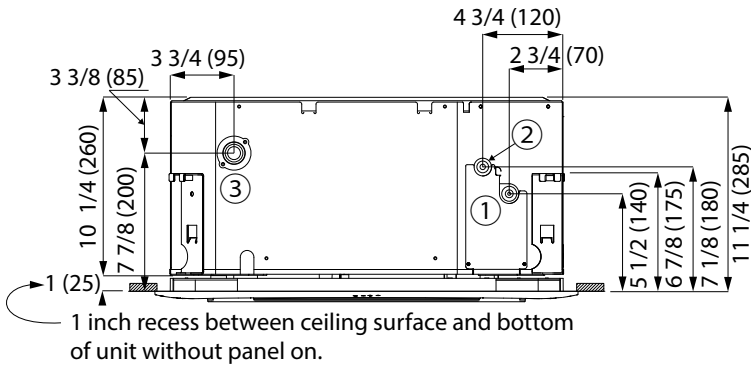
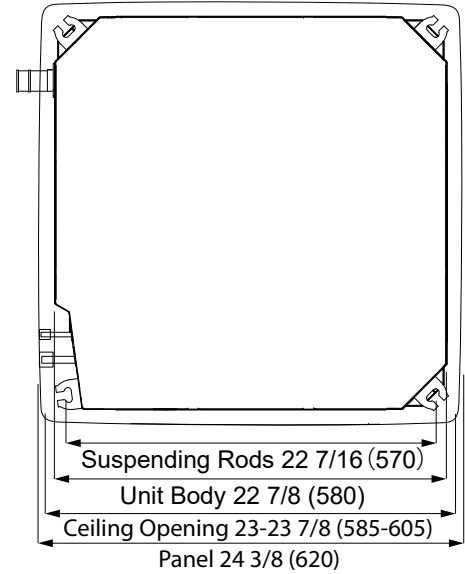
9000 BTU/HR CASSETTE TYPE INDOOR

AB09SC2VHA



#	Part Name
1	Vapor Pipe
2	Liquid Pipe
3	Drain Pump Outlet
4	Fresh Air Inlet
5	Air Return Grille
6	Air Supply

More than 59 (1500) to wall on all sides



Haier FlexFit Multi Series Submittal

12000 BTU/HR CASSETTE TYPE INDOOR

AB12SC2VHA

Job Name: _____

Purchaser: _____

Submitted To: _____

Construction: _____

Reference: _____

Approval: _____

Date: _____

Submitted By: _____

Unit: _____

Drawing #: _____



Electrical Requirement

Power Supply	208/230V, 1 Phase, 60 HZ
Operating Voltage Range	187~253 VAC

Performance

Rated Cooling Capacity	12,000 BTU
Rated Heating Capacity	13,000 BTU

Piping

Connection	1/4" (Discharge) 3/8" (Suction) Flare
------------	--

Indoor Unit

Chassis Uncrated Dimension (HxWxD)	10 1/4 x 22 1/2 x 22 1/2 in (260 x 570 x 570 mm)
Chassis Crated (HxWxD)	15 x 28 1/4 x 26 3/4 in (380 x 718 x 680 mm)
Panel Uncrated Dimension (HxWxD)	2 3/8 x 27 1/2 x 27 1/2 in (60 x 700 x 700 mm)
Panel Crated (HxWxD)	4 1/2 x 29 1/8 x 29 1/2 in (115 x 740 x 750 mm)
Airflow CFM (Turbo/High/Med/Low/Quiet)	410/365/305/265/205
Indoor Sound Level dB (Turbo/High/Med/Low/Quiet)	42/40/36/32/25
Motor Rating (HP)	0.033
Heat Exchanger Fin Type	Blue Fin
Condensate Pump	Included - 47.2 in Lift
Weight (Ship/Net)	48.5/40.8 lbs

Accessories

Remote Controller

Ship with Primary Remote Control

Wired Controller

Compatible with Touch Wall Controller (discontinued), Programmable Wired Controller, and Simple Wired Controller.

Panel

PB-700IB is required to complete the installation and it must be ordered separately

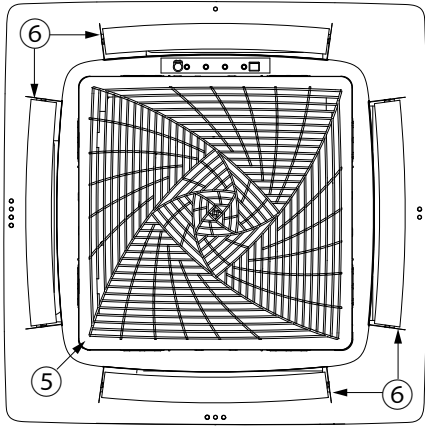


For more information visit us:
www.Haierductless.com
www.Haierductlesshelp.com

Haier FlexFit Multi Series Submittal

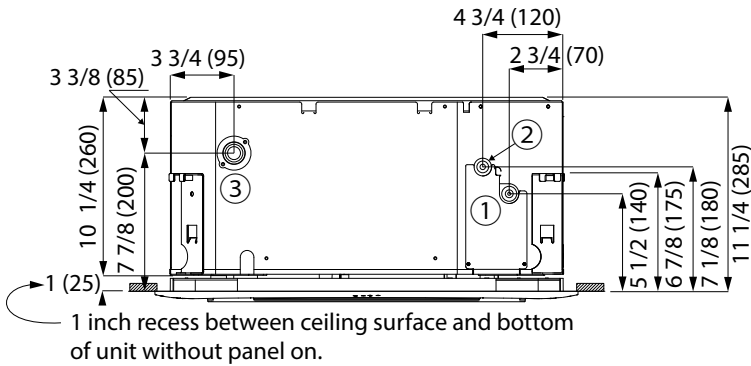
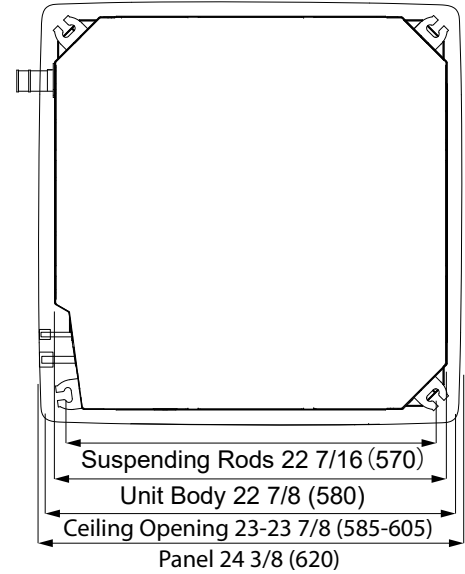
12000 BTU/HR CASSETTE TYPE INDOOR

AB12SC2VHA

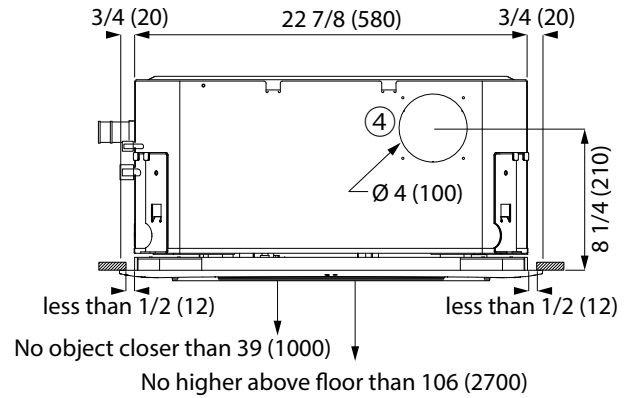


#	Part Name
1	Vapor Pipe
2	Liquid Pipe
3	Drain Pump Outlet
4	Fresh Air Inlet
5	Air Return Grille
6	Air Supply

More than 59 (1500) to wall on all sides



1 inch recess between ceiling surface and bottom of unit without panel on.



Haier FlexFit Multi Series Submittal

18000 BTU/HR CASSETTE TYPE INDOOR

AB18SC2VHA

Job Name: _____

Purchaser: _____

Submitted To: _____

Construction: _____

Reference: _____

Approval: _____

Date: _____

Submitted By: _____

Unit: _____

Drawing #: _____



Electrical Requirement

Power Supply	208/230V, 1 Phase, 60 HZ
Operating Voltage Range	187~253 VAC

Performance

Rated Cooling Capacity	18,000 BTU
Rated Heating Capacity	19,000 BTU

Piping

Connection	1/4" (Discharge) 1/2" (Suction) Flare
------------	--

Indoor Unit

Chassis Uncrated Dimension (HxWxD)	10 1/4 x 22 1/2 x 22 1/2 in (260 x 570 x 570 mm)
Chassis Crated (HxWxD)	15 x 28 1/4 x 26 3/4 in (380 x 718 x 680 mm)
Panel Uncrated Dimension (HxWxD)	2 3/8 x 27 1/2 x 27 1/2 in (60 x 700 x 700 mm)
Panel Crated (HxWxD)	4 1/2 x 29 1/8 x 29 1/2 in (115 x 740 x 750 mm)
Airflow CFM (Turbo/High/Med/Low/Quiet)	470/410/365/295/252
Indoor Sound Level dB (Turbo/High/Med/Low/Quiet)	45/42/40/36/32
Motor Rating (HP)	0.033
Heat Exchanger Fin Type	Blue Fin
Condensate Pump	Included - 47.2 in Lift
Weight (Ship/Net)	48.5/40.8 lbs

Accessories

Remote Controller

Ship with Primary Remote Control

Wired Controller

Compatible with Touch Wall Controller (discontinued), Programmable Wired Controller, and Simple Wired Controller.

Panel

PB-700IB is required to complete the installation and it must be ordered separately

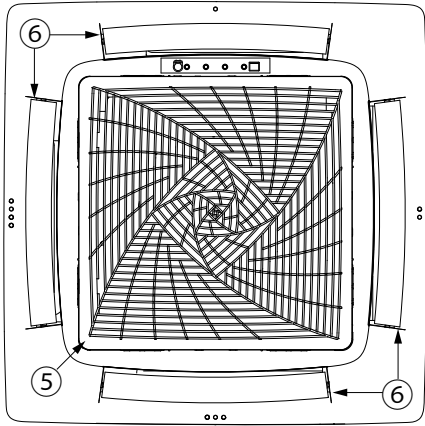


For more information visit us:
www.Haierductless.com
www.Haierductlesshelp.com

Haier FlexFit Multi Series Submittal

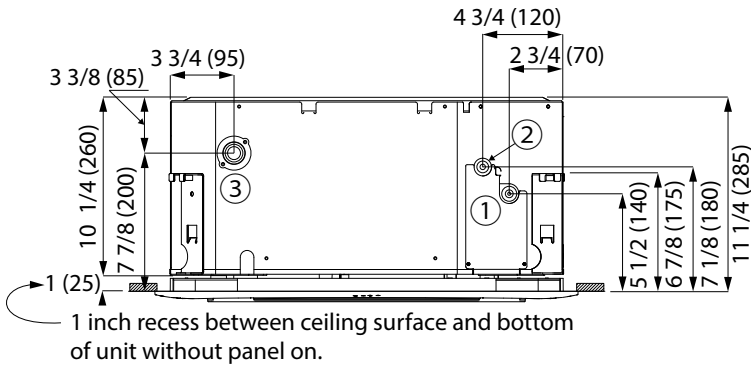
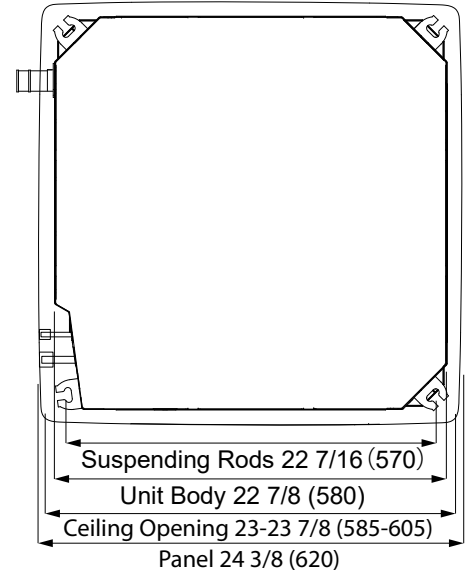
18000 BTU/HR CASSETTE TYPE INDOOR

AB18SC2VHA

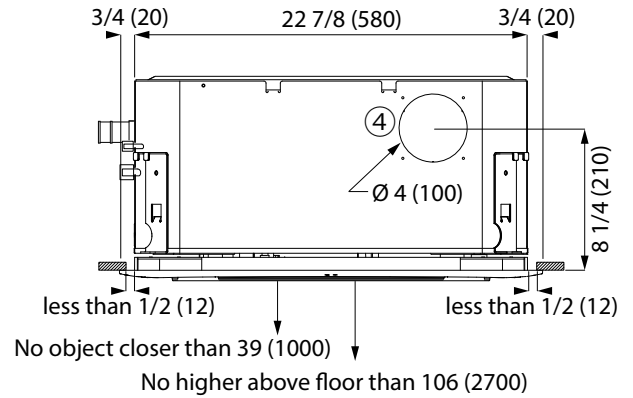


#	Part Name
1	Vapor Pipe
2	Liquid Pipe
3	Drain Pump Outlet
4	Fresh Air Inlet
5	Air Return Grille
6	Air Supply

More than 59 (1500) to wall on all sides



1 inch recess between ceiling surface and bottom of unit without panel on.



No higher above floor than 106 (2700)

Haier FlexFit Multi Series Submittal

24,000 BTU/HR CASSETTE TYPE INDOOR

AL24LP2VHA

Job Name: _____

Purchaser: _____

Submitted To: _____

Construction: _____

Reference: _____

Approval: _____

Date: _____

Submitted By: _____

Unit: _____

Drawing #: _____



Electrical Requirement

Power Supply	208/230V, 1 Phase, 60 HZ
Operating Voltage Range	187~253 VAC

Performance

Rated Cooling Capacity	24,000 BTU
Rated Heating Capacity	27,300 BTU

Piping

Connection	3/8" (Discharge) 5/8" (Suction) Flare
------------	--

Indoor Unit

Chassis Uncrated Dimension (HxWxD)	9 5/8 x 33 1/8 x 33 1/8 in (246 x 840 x 840 mm)
Chassis Crated (HxWxD)	12 1/4 x 39 x 39 in (310 x 990 x 990 mm)
Panel Uncrated Dimension (HxWxD)	2 x 37 3/8 x 37 3/8 (50 x 950 x 950 mm)
Panel Crated (HxWxD)	4 3/8 x 39 3/8 x 39 3/8 (110 x 1000 x 1000 mm)
Airflow CFM (Turbo/High/Med/Low/Quiet)	740/630/480/400
Indoor Sound Level dB (Turbo/High/Med/Low/Quiet)	36/33/29/26
Motor Rating (HP)	0.0161
Heat Exchanger Fin Type	Blue Fin
Condensate Pump	Included - 47.2 in Lift
Weight (Ship/Net)	79.4/68.3 lbs

Accessories

Remote Controller

Ship with YR-HBS01

Wired Controller

Compatible with Touch Wall Controller (discontinued), Programmable Wired Controller, and Simple Wired Controller.

Panel

PB-950KC is required to complete the installation and it must be ordered separately

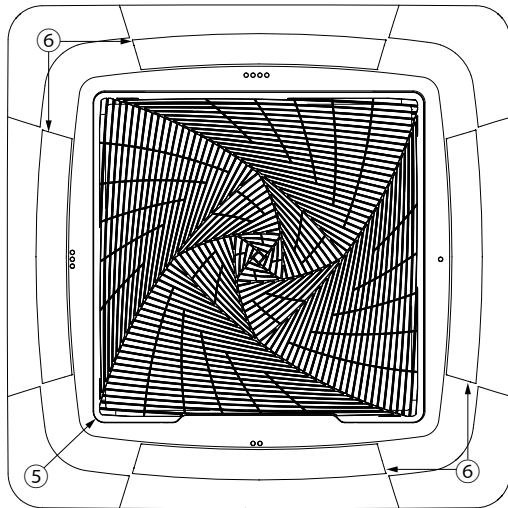


For more information visit us:
www.Haierductless.com
www.Haierductlesshelp.com

Haier FlexFit Multi Series Submittal

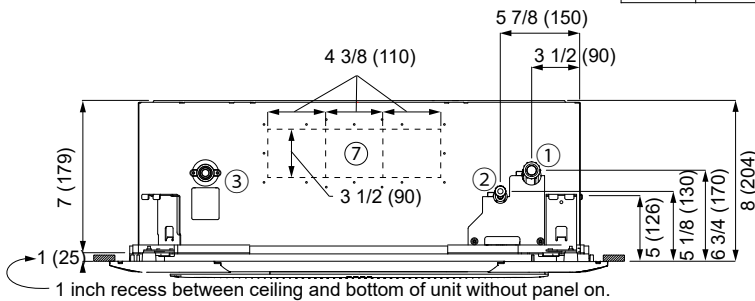
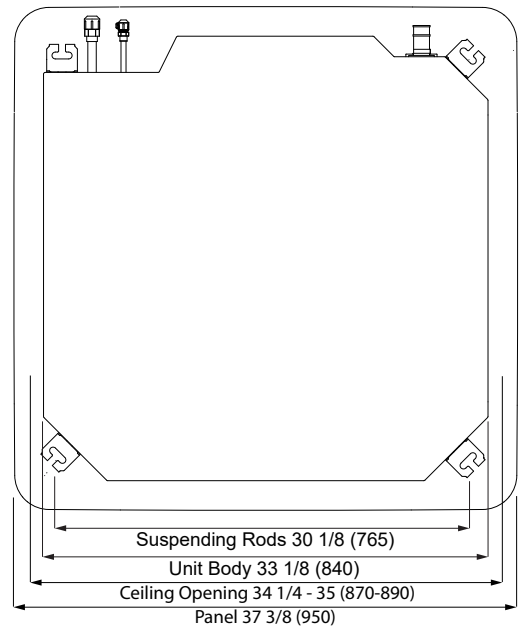
24,000 BTU/HR CASSETTE TYPE INDOOR

AL24LP2VHA

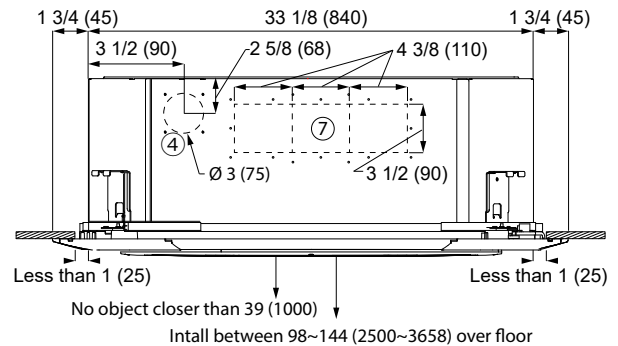


More than 59 (1500) to wall on all sides

#	Part Name
1	Vapor Pipe
2	Liquid Pipe
3	Drain Pump Outlet
4	Fresh Air Inlet
5	Air Return Grille
6	Air Supply
7	Auxiliary Air Supply



1 inch recess between ceiling and bottom of unit without panel on.



Haier FlexFit Multi Series Submittal

7000 BTU/HR SLIM DUCT TYPE INDOOR

AD07SL2VHB

Job Name: _____

Purchaser: _____

Submitted To: _____

Construction: _____

Reference: _____

Approval: _____

Date: _____

Submitted By: _____

Unit: _____

Drawing #: _____



Electrical Requirement

Power Supply	208/230V, 1 Phase, 60 HZ
Operating Voltage Range	187~253 VAC

Performance

Rated Cooling Capacity	7,000 BTU
Rated Heating Capacity	8,000 BTU

Piping

Connection	1/4" (Discharge) 3/8" (Suction) Flare
------------	--

Indoor Unit

Uncrated Dimension (HxWxD)	7 1/4 x 33 1/2 x 16 1/2 in (185 x 850 x 420 mm)
Crated (HxWxD)	10 3/8 x 40 3/4 x 21 1/4 in (265 x 1035 x 540 mm)
Maximum ESP (IWC)	0.16
Airflow CFM (Turbo/High/Med/Low/Quiet)	353/312/270/230/188
Indoor Sound Level dB (Turbo/High/Med/Low/Quiet)	35/33/29/26/21
Motor Rating (HP)	0.066
Heat Exchanger Fin Type	Blue Fin
Condensate Pump	Included - 27.5 in Lift
Weight (Ship/Net)	47.2/36.8 lbs

Accessories

Remote Controller

Ships with Touch Wall Controller (discontinued)

Wired Controller

Compatible with Programmable Wired Controller and Simple Wired Controller.

Panel

Optional motorized supply and return grille accessory: P1B-890IA(I) and P1B-890IA(O) are available

Grilles

Return Grille - PAD0890RA

Supply Grille - PAD0890SA

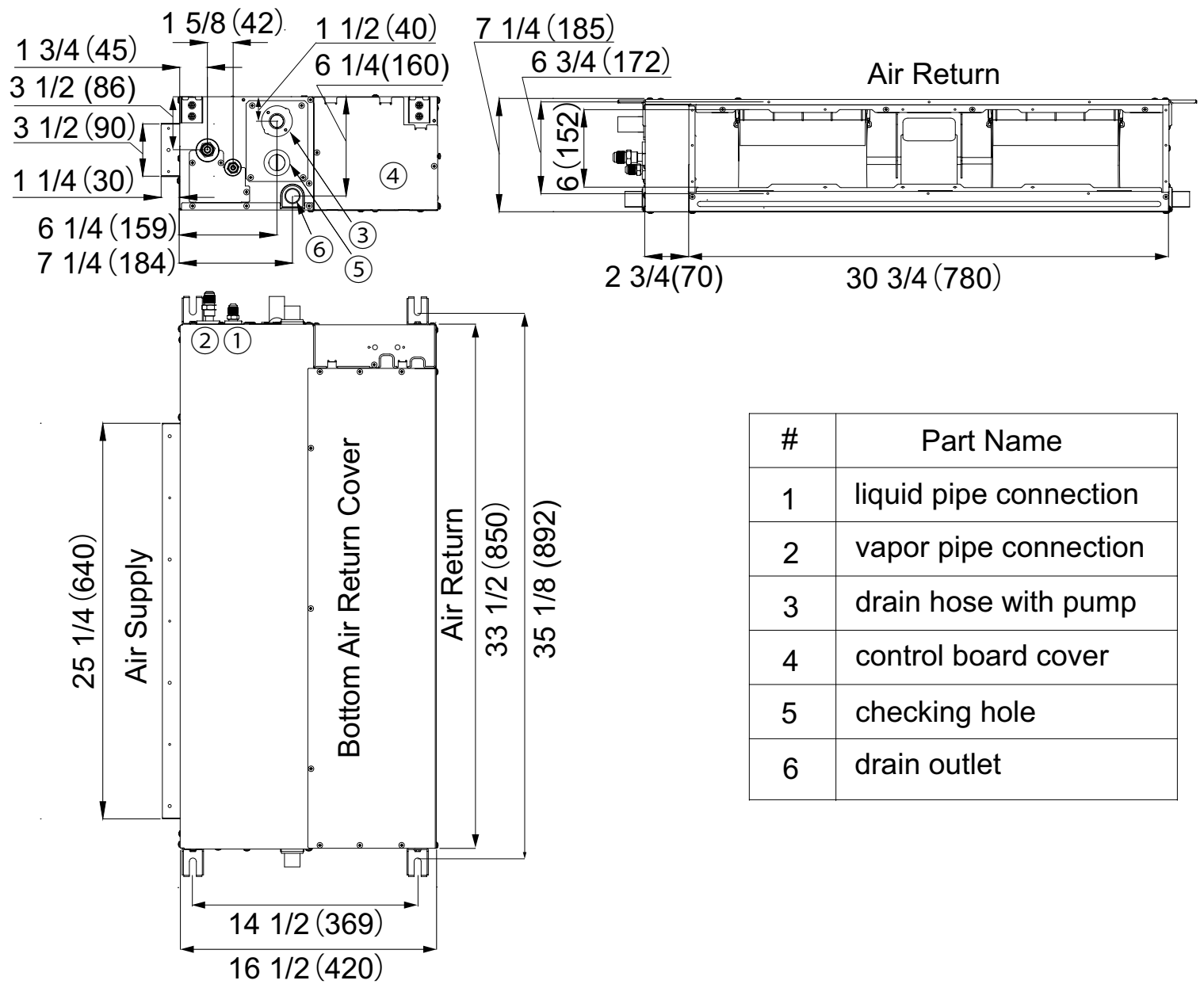


For more information visit us:
www.Haierductless.com
www.Haierductlesshelp.com

Haier FlexFit Multi Series Submittal

7000 BTU/HR SLIM DUCT TYPE INDOOR

AD07SL2VHB



#	Part Name
1	liquid pipe connection
2	vapor pipe connection
3	drain hose with pump
4	control board cover
5	checking hole
6	drain outlet

Haier FlexFit Multi Series Submittal

9000 BTU/HR SLIM DUCT TYPE INDOOR

AD09SL2VHB

Job Name: _____

Purchaser: _____

Submitted To: _____

Construction: _____

Reference: _____

Approval: _____

Date: _____

Submitted By: _____

Unit: _____

Drawing #: _____



Electrical Requirement

Power Supply	208/230V, 1 Phase, 60 HZ
Operating Voltage Range	187~253 VAC

Performance

Rated Cooling Capacity	9,000 BTU
Rated Heating Capacity	10,000 BTU

Piping

Connection	1/4" (Discharge) 3/8" (Suction) Flare
------------	--

Indoor Unit

Uncrated Dimension (HxWxD)	7 1/4 x 33 1/2 x 16 1/2 in (185 x 850 x 420 mm)
Crated (HxWxD)	10 3/8 x 40 3/4 x 21 1/4 in (265 x 1035 x 540 mm)
Maximum ESP (IWC)	0.16
Airflow CFM (Turbo/High/Med/Low/Quiet)	353/312/270/230/188
Indoor Sound Level dB (Turbo/High/Med/Low/Quiet)	35/33/29/26/22
Motor Rating (HP)	0.066
Heat Exchanger Fin Type	Blue Fin
Condensate Pump	Included - 27.5 in Lift
Weight (Ship/Net)	47.2/36.8 lbs

Accessories

Remote Controller

Ships with Touch Wall Controller (discontinued)

Wired Controller

Compatible with Programmable Wired Controller and Simple Wired Controller.

Panel

Optional motorized supply and return grille accessory: P1B-890IA(I) and P1B-890IA(O) are available

Grilles

Return Grille - PAD0890RA
Supply Grille - PAD0890SA

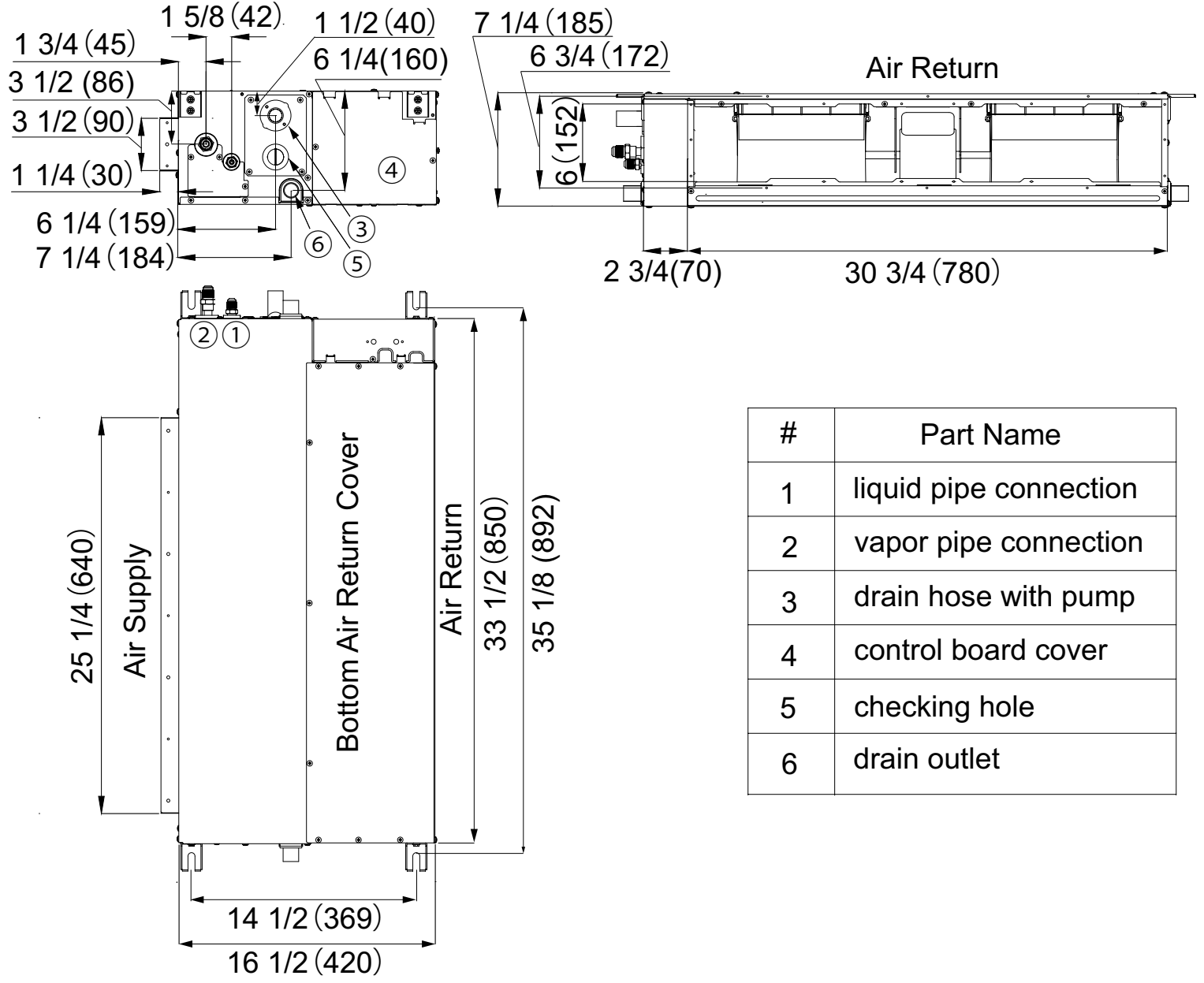


For more information visit us:
www.Haierductless.com
www.Haierductlesshelp.com

Haier FlexFit Multi Series Submittal

9000 BTU/HR SLIM DUCT TYPE INDOOR

AD09SL2VHB



#	Part Name
1	liquid pipe connection
2	vapor pipe connection
3	drain hose with pump
4	control board cover
5	checking hole
6	drain outlet

Haier FlexFit Multi Series Submittal

12000 BTU/HR SLIM DUCT TYPE INDOOR

AD12SL2VHB

Job Name: _____

Purchaser: _____

Submitted To: _____

Construction: _____

Reference: _____

Approval: _____

Date: _____

Submitted By: _____

Unit: _____

Drawing #: _____



Electrical Requirement

Power Supply	208/230V, 1 Phase, 60 HZ
Operating Voltage Range	187~253 VAC

Performance

Rated Cooling Capacity	12,000 BTU
Rated Heating Capacity	13,000 BTU

Piping

Connection	1/4" (Discharge) 3/8" (Suction) Flare
------------	--

Indoor Unit

Uncrated Dimension (HxWxD)	7 1/4 x 33 1/2 x 16 1/2 in (185 x 850 x 420 mm)
Crated (HxWxD)	10 3/8 x 40 3/4 x 21 1/4 in (265 x 1035 x 540 mm)
Maximum ESP (IWC)	0.16
Airflow CFM (Turbo/High/Med/Low/Quiet)	400/353/282/247/218
Indoor Sound Level dB (Turbo/High/Med/Low/Quiet)	38/35/29/26/23
Motor Rating (HP)	0.085
Heat Exchanger Fin Type	Blue Fin
Condensate Pump	Included - 27.5 in Lift
Weight (Ship/Net)	47.2/36.8 lbs

Accessories

Remote Controller

Ships with Touch Wall Controller (discontinued)

Wired Controller

Compatible with Programmable Wired Controller and Simple Wired Controller.

Panel

Optional motorized supply and return grille accessory: P1B-890IA(I) and P1B-890IA(O) are available

Grilles

Return Grille - PAD0890RA

Supply Grille - PAD0890SA

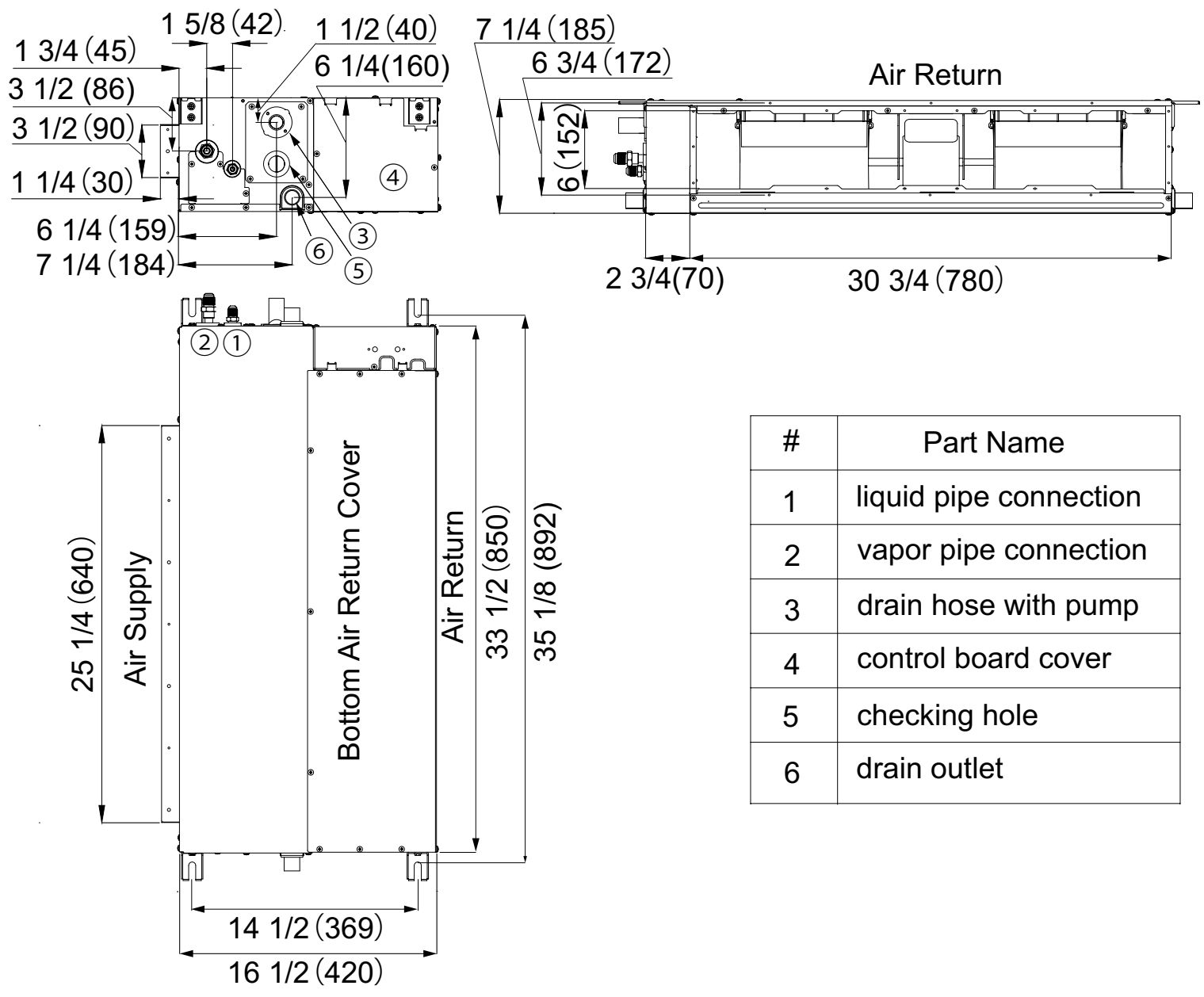


For more information visit us:
www.Haierductless.com
www.Haierductlesshelp.com

Haier FlexFit Multi Series Submittal

12000 BTU/HR SLIM DUCT TYPE INDOOR

AD12SL2VHB



#	Part Name
1	liquid pipe connection
2	vapor pipe connection
3	drain hose with pump
4	control board cover
5	checking hole
6	drain outlet

Haier FlexFit Multi Series Submittal

18000 BTU/HR SLIM DUCT TYPE INDOOR

AD18SL2VHB

Job Name: _____

Purchaser: _____

Submitted To: _____

Construction: _____

Reference: _____

Approval: _____

Date: _____

Submitted By: _____

Unit: _____

Drawing #: _____



Electrical Requirement

Power Supply	208/230V, 1 Phase, 60 HZ
Operating Voltage Range	187~253 VAC

Performance

Rated Cooling Capacity	18,000 BTU
Rated Heating Capacity	19,000 BTU

Piping

Connection	1/4" (Discharge) 1/2" (Suction) Flare
------------	--

Indoor Unit

Uncrated Dimension (HxWxD)	7 1/4 x 33 1/2 x 16 1/2 in (185 x 850 x 420 mm)
Crated (HxWxD)	10 3/8 x 40 3/4 x 21 1/4 in (265 x 1035 x 540 mm)
Maximum ESP (IWC)	0.16
Airflow CFM (Turbo/High/Med/Low/Quiet)	540/500/447/365/306
Indoor Sound Level dB (Turbo/High/Med/Low/Quiet)	31/29/23/29/25
Motor Rating (HP)	0.114
Heat Exchanger Fin Type	Blue Fin
Condensate Pump	Included - 27.5 in Lift
Weight (Ship/Net)	62.4/48.5 lbs

Accessories

Remote Controller

Ships with Touch Wall Controller (discontinued)

Wired Controller

Compatible with Programmable Wired Controller and Simple Wired Controller.

Panel

Optional motorized supply and return grille accessory: P1B-890IA(I) and P1B-890IA(O) are available

Grilles

Return Grille - PAD1210RA

Supply Grille - PAD1210SA

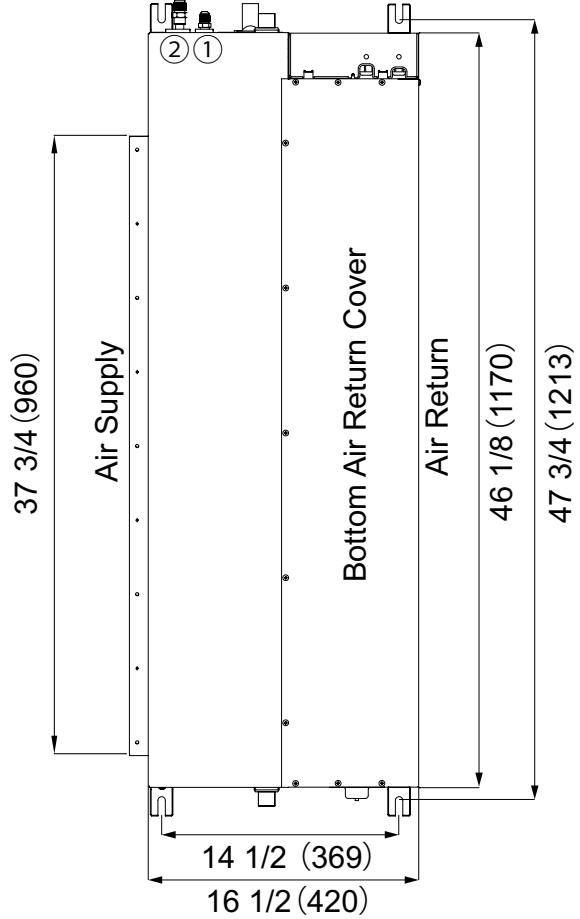
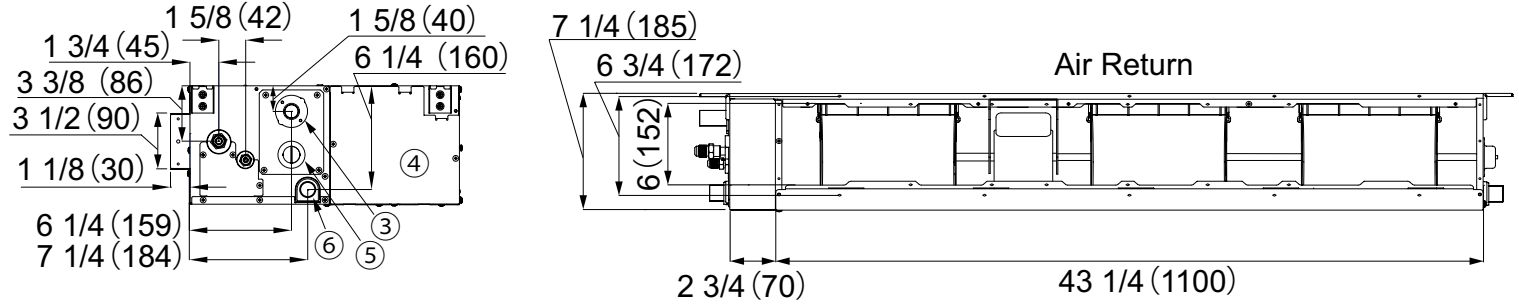


For more information visit us:
www.Haierductless.com
www.Haierductlesshelp.com

Haier FlexFit Multi Series Submittal

18000 BTU/HR SLIM DUCT TYPE INDOOR

AD18SL2VHB



#	Part Name
1	liquid pipe connection
2	vapor pipe connection
3	drain hose with pump
4	control board cover
5	checking hole
6	drain outlet

Haier FlexFit Multi Series Submittal

24000 BTU/HR HIGH STATIC DUCTED INDOOR

AM24LP2VHA

Job Name: _____

Purchaser: _____

Submitted To: _____

Construction: _____

Reference: _____

Approval: _____

Date: _____

Submitted By: _____

Unit: _____

Drawing #: _____



Electrical Requirement

Power Supply	208/230V, 1 Phase, 60 HZ
Operating Voltage Range	187~253 VAC

Performance

Rated Cooling Capacity	24,000 BTU
Rated Heating Capacity	26,500 BTU

Piping

Connection	3/8" (Discharge) 5/8" (Suction) Flare
------------	--

Indoor Unit

Uncrated Dimension (HxWxD)	9 7/8 x 41 3/8 x 28 3/8 in (250 x 1050 x 720 mm)
Crated (HxWxD)	13 3/8 x 46 1/8 x 33 7/8 in (340 x 1170 x 860 mm)
Maximum ESP (IWC)	0.60
Airflow CFM (Turbo/High/Med/Low/Quiet)	845/670/530/470
Indoor Sound Level dB (Turbo/High/Med/Low/Quiet)	38/35/32/29
Motor Rating (HP)	0.362
Heat Exchanger Fin Type	Blue Fin
Condensate Pump	Included - 27.5 in Lift
Weight (Ship/Net)	81.6/68.8 lbs

Accessories

Remote Controller

Ships with Touch Wall Controller (discontinued)

Wired Controller

Compatible with Programmable Wired Controller and Simple Wired Controller.

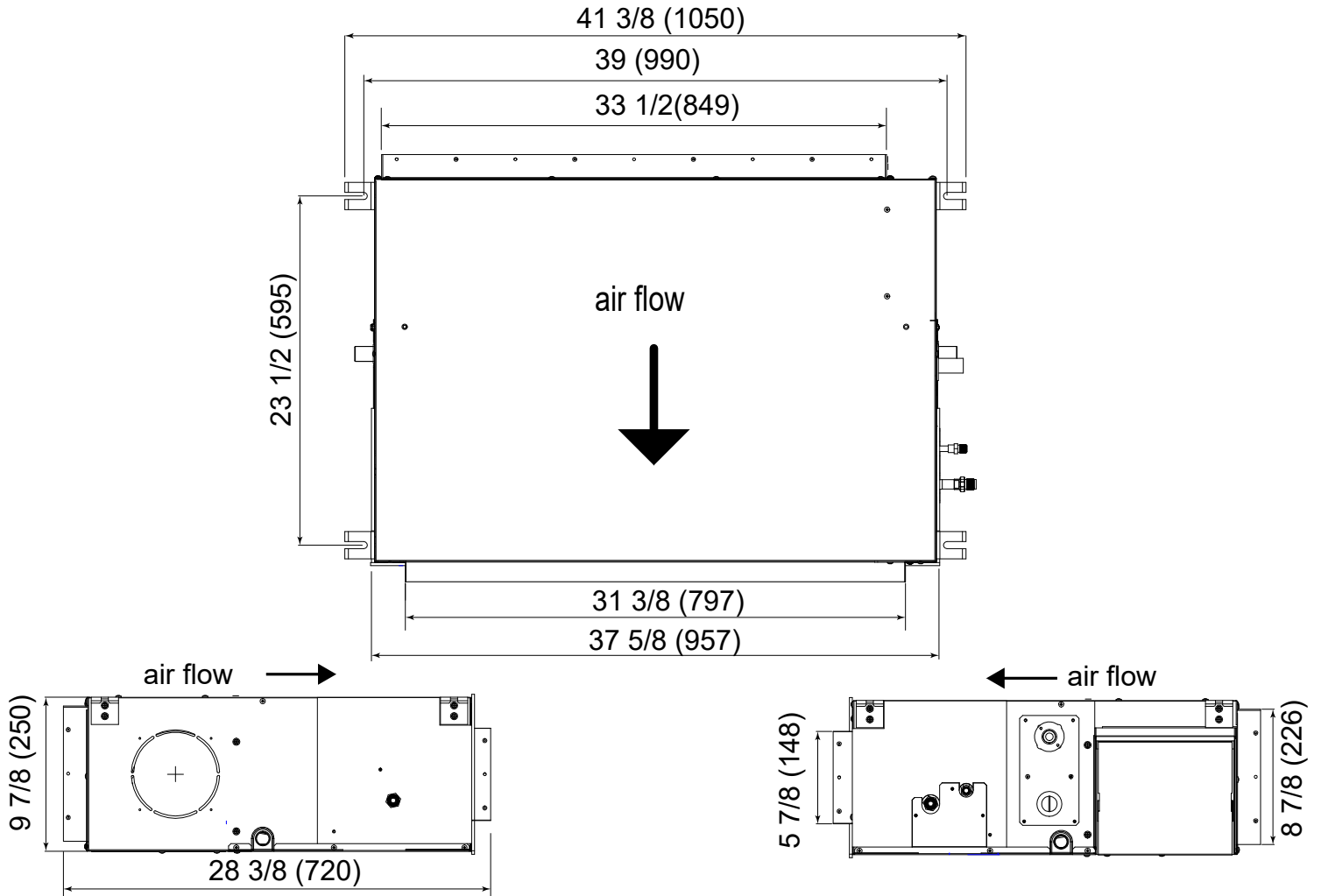


For more information visit us:
www.Haierductless.com
www.Haierductlesshelp.com

Haier FlexFit Multi Series Submittal

24000 BTU/HR HIGH STATIC DUCTED INDOOR

AM24LP2VHA



Haier FlexFit Multi Series Submittal

9000 BTU/HR MID-STATIC DUCTED INDOOR

USYM09UCDSA

Job Name: _____

Purchaser: _____

Submitted To: _____

Construction: _____

Reference: _____

Approval: _____

Date: _____

Submitted By: _____

Unit: _____

Drawing #: _____



Electrical Requirement

Power Supply	208/230V, 1 Phase, 60 HZ
Operating Voltage Range	187~253 VAC

Performance

Rated Cooling Capacity	9,000 BTU
Rated Heating Capacity	10,000 BTU

Piping

Flare Connections	Liquid: 1/4" Vapor: 3/8"
Drain Pipe	1 1/4"

Accessories

Wired Controller

Controller must be ordered separately. Compatible with Simple Wired Controller and Programmable Wired Controller

Built-in WiFi

Indoor Unit

Uncrated Dimension (HxWxD)	9 3/4 x 27 1/2 x 27 1/2 in (248 x 700 x 700 mm)
Crated (HxWxD)	13 1/4 x 37 1/2 x 35 1/2 in (340 x 950 x 900 mm)
Maximum ESP (IWC)	0.6
Airflow CFM (Turbo/High/Med/Low)	494/423/352/264
Indoor Sound Level dB (Turbo/High/Med/Low)	35/32/29/26
Motor Rating (HP)	0.18
Heat Exchanger Fin Type	Blue Fin
Condensate Pump	Included - 39 in. Lift
Weight (Ship/Net)	57/66 lbs

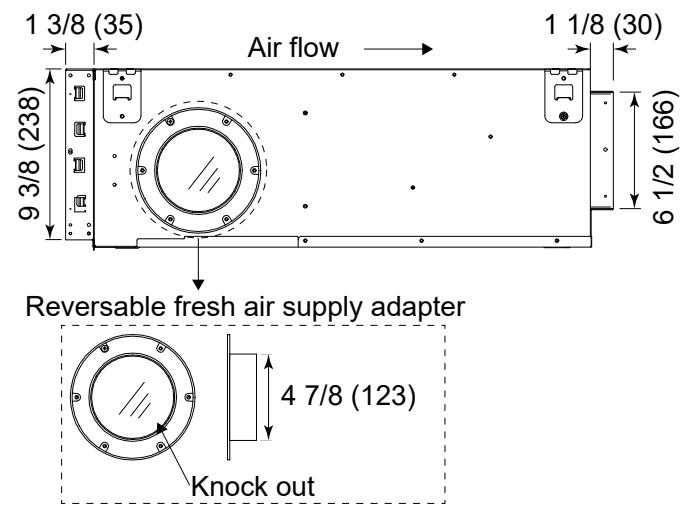
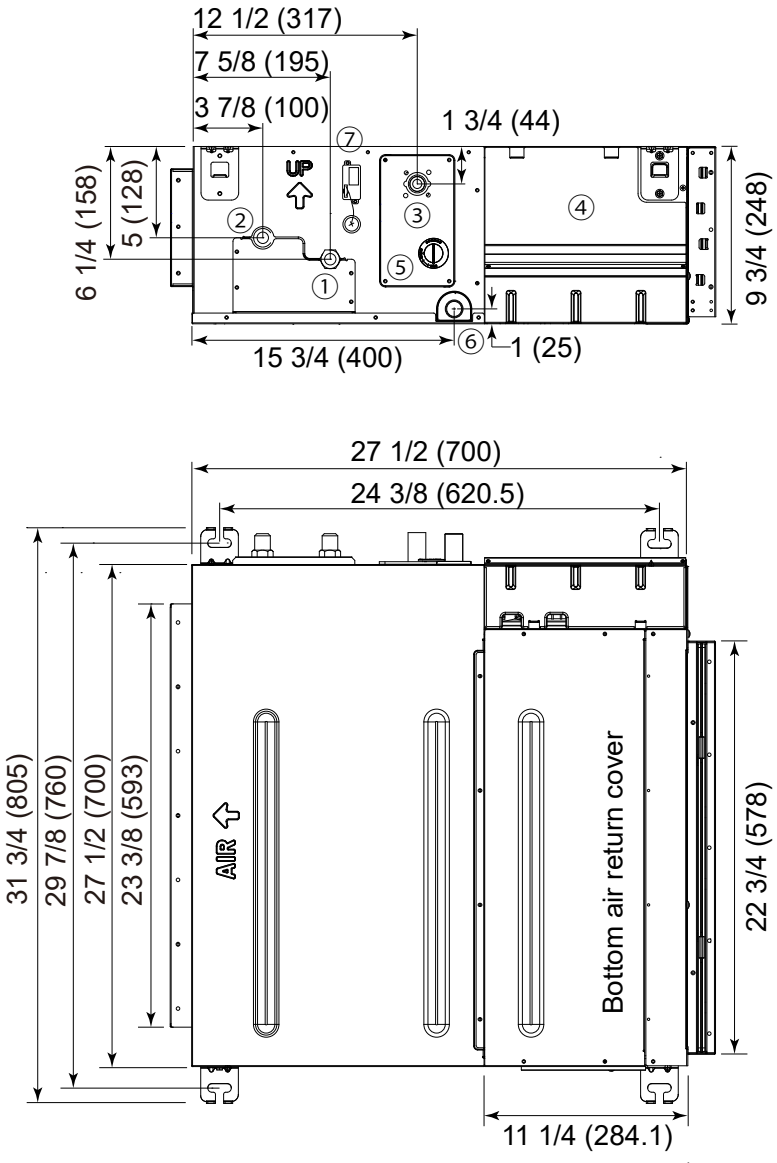


GE APPLIANCES
a Haier company

For more information visit us:
www.Haierductless.com
www.Haierductlesshelp.com

Haier FlexFit Multi Series Submittal

9000 BTU/HR MID-STATIC DUCTED INDOOR
USYM09UCDSA



#	Description
1	Liquid pipe connection
2	Vapor pipe connection
3	Drain pump outlet
4	Control board cover
5	Inspection hole
6	Gravity drain outlet
7	WiFi module

Haier FlexFit Multi Series Submittal

12000 BTU/HR MID-STATIC DUCTED INDOOR

USYM12UCDSA

Job Name: _____

Purchaser: _____

Submitted To: _____

Construction: _____

Reference: _____

Approval: _____

Date: _____

Submitted By: _____

Unit: _____

Drawing #: _____



Electrical Requirement

Power Supply	208/230V, 1 Phase, 60 HZ
Operating Voltage Range	187~253 VAC

Performance

Rated Cooling Capacity	12,000 BTU
Rated Heating Capacity	13,000 BTU

Piping

Flare Connections	Liquid: 1/4" Vapor: 3/8"
Drain Pipe	1 1/4"

Accessories

Wired Controller

Controller must be ordered separately. Compatible with Simple Wired Controller and Programmable Wired Controller

Built-in WiFi

Indoor Unit

Uncrated Dimension (HxWxD)	9 3/4 x 27 1/2 x 27 1/2 in (248 x 700 x 700 mm)
Crated (HxWxD)	13 1/4 x 37 1/2 x 35 1/2 in (340 x 950 x 900 mm)
Maximum ESP (IWC)	0.6
Airflow CFM (Turbo/High/Med/Low)	494/423/352/264
Indoor Sound Level dB (Turbo/High/Med/Low)	35/32/29/26
Motor Rating (HP)	0.18
Heat Exchanger Fin Type	Blue Fin
Condensate Pump	Included - 39 in. Lift
Weight (Ship/Net)	57/66 lbs

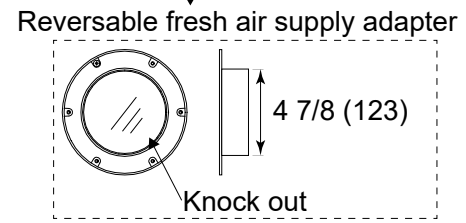
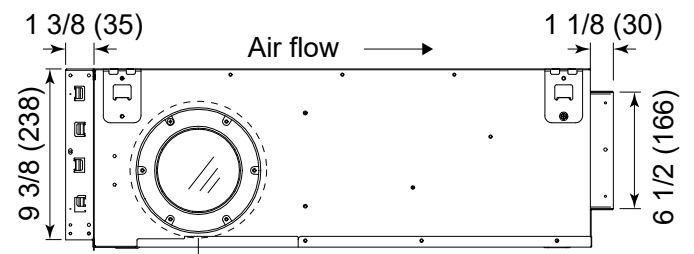
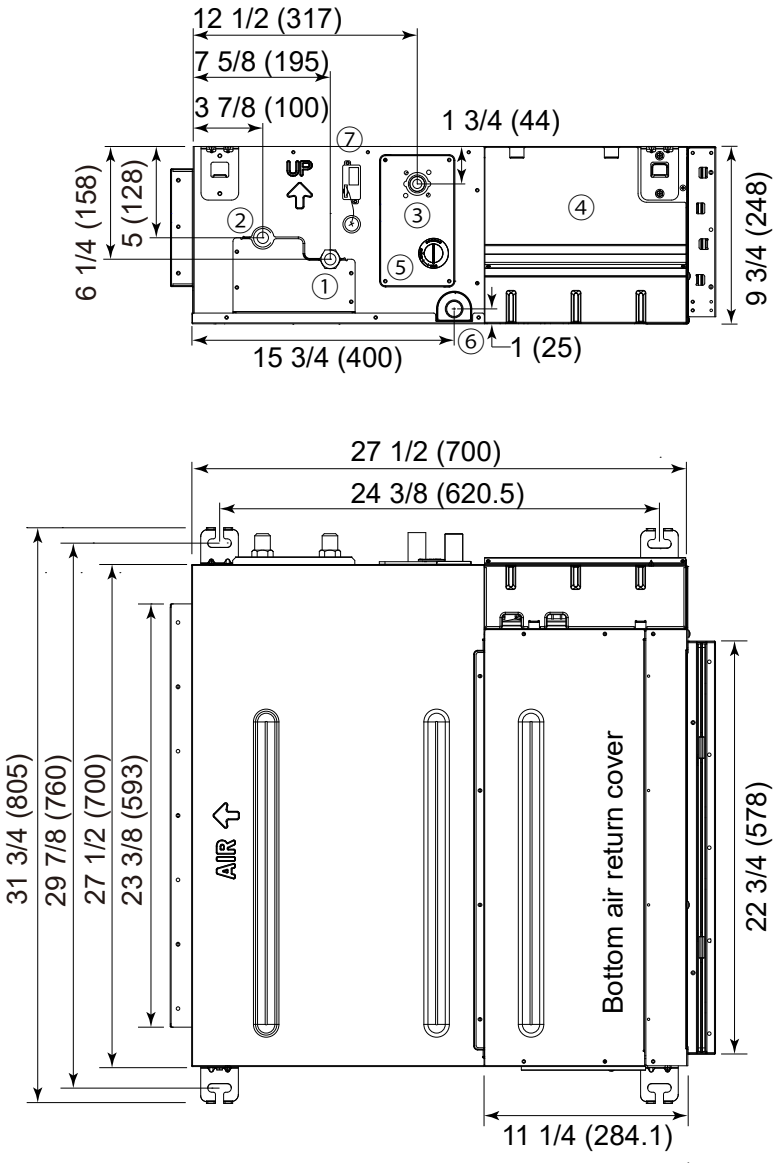


For more information visit us:
www.Haierductless.com
www.Haierductlesshelp.com

Haier FlexFit Multi Series Submittal

12000 BTU/HR MID-STATIC DUCTED INDOOR

USYM12UCDSA



#	Description
1	Liquid pipe connection
2	Vapor pipe connection
3	Drain pump outlet
4	Control board cover
5	Inspection hole
6	Gravity drain outlet
7	WiFi module

Haier FlexFit Multi Series Submittal

18000 BTU/HR MID-STATIC DUCTED INDOOR

USYM18UCDSA

Job Name: _____

Purchaser: _____

Submitted To: _____

Construction: _____

Reference: _____

Approval: _____

Date: _____

Submitted By: _____

Unit: _____

Drawing #: _____



Electrical Requirement

Power Supply	208/230V, 1 Phase, 60 HZ
Operating Voltage Range	187~253 VAC

Performance

Rated Cooling Capacity	18,000 BTU
Rated Heating Capacity	19,000 BTU

Piping

Flare Connections	Liquid: 1/4" Vapor: 1/2"
Drain Pipe	1 1/4"

Accessories

Wired Controller

Controller must be ordered separately. Compatible with Simple Wired Controller and Programmable Wired Controller

Built-in WiFi

Indoor Unit

Uncrated Dimension (HxWxD)	9 3/4 x 43 1/4 x 27 1/2 in (248 x 1100 x 700 mm)
Crated (HxWxD)	13 1/2 x 46 x 33 3/4 in (340 x 1170 x 860 mm)
Maximum ESP (IWC)	0.6
Airflow CFM (Turbo/High/Med/Low)	635/529/458/388
Indoor Sound Level dB (Turbo/High/Med/Low)	37/34/32/29
Heat Exchanger Fin Type	Blue Fin
Motor Rating (HP)	0.27
Condensate Pump	Included - 39 in. Lift
Weight (Ship/Net)	70/77 lbs

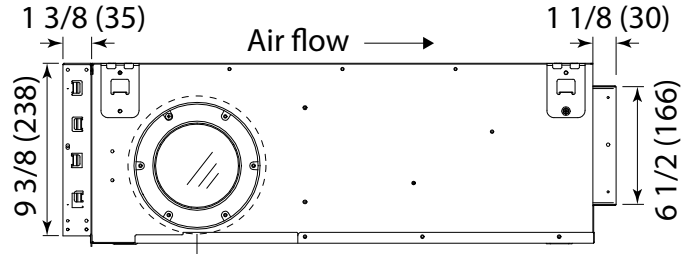
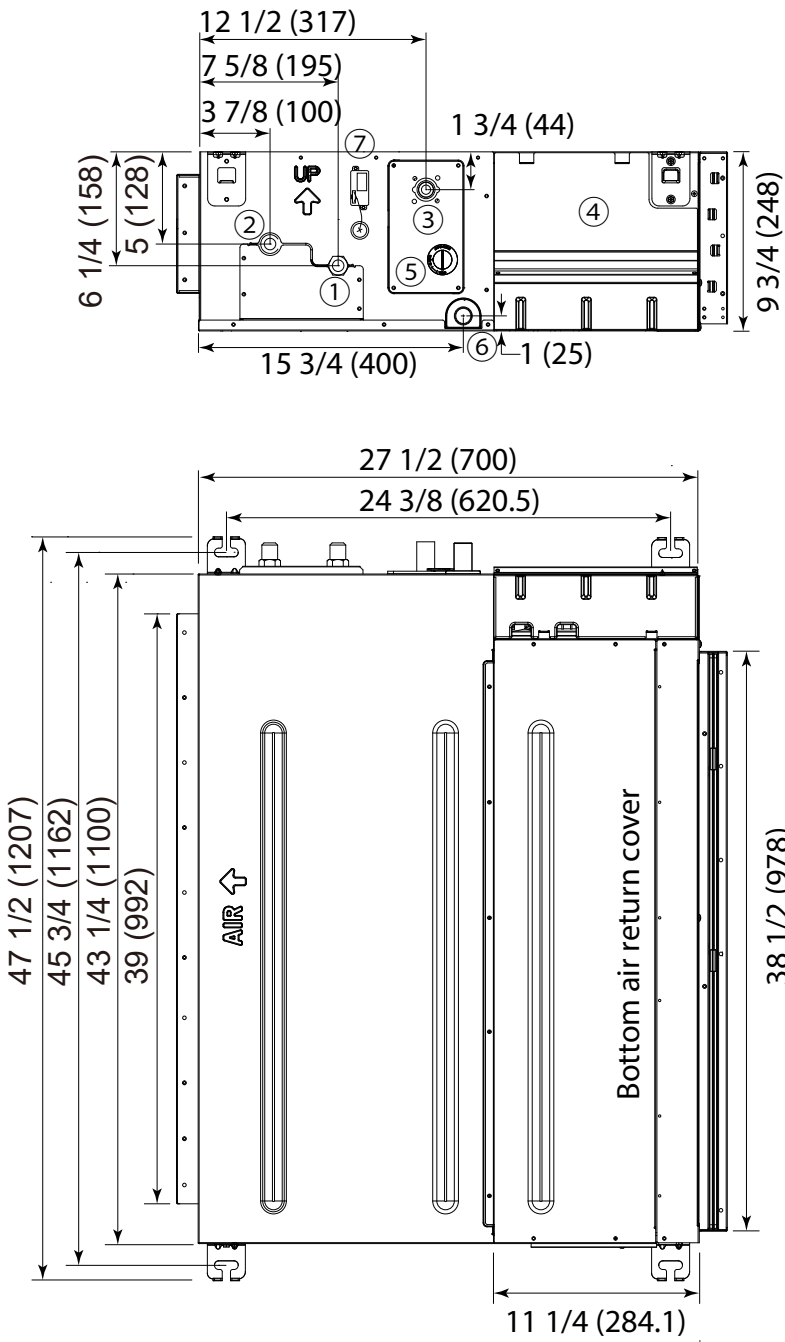


For more information visit us:
www.Haierductless.com
www.Haierductlesshelp.com

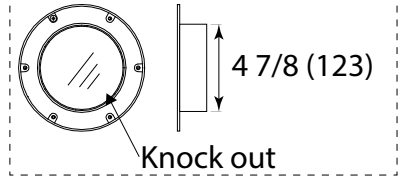
Haier FlexFit Multi Series Submittal

18000 BTU/HR MID-STATIC DUCTED INDOOR

USYM18UCDSA



Reversible fresh air supply adapter



#	Description
1	Liquid pipe connection
2	Vapor pipe connection
3	Drain pump outlet
4	Control board cover
5	Inspection hole
6	Gravity drain outlet
7	WiFi module

Haier FlexFit Multi Series Submittal

24000 BTU/HR MID-STATIC DUCTED INDOOR

USYM24UCDSA

Job Name: _____

Purchaser: _____

Submitted To: _____

Construction: _____

Reference: _____

Approval: _____

Date: _____

Submitted By: _____

Unit: _____

Drawing #: _____



Electrical Requirement

Power Supply	208/230V, 1 Phase, 60 HZ
Operating Voltage Range	187~253 VAC

Performance

Rated Cooling Capacity	24,000 BTU
Rated Heating Capacity	25,000 BTU

Piping

Flare Connections	Liquid: 3/8" Vapor: 5/8"
Drain Pipe	1 1/4"

Accessories

Wired Controller

Controller must be ordered separately. Compatible with Simple Wired Controller and Programmable Wired Controller

Built-in WiFi

Indoor Unit

Uncrated Dimension (HxWxD)	9 3/4 x 43 1/4 x 27 1/2 in (248 x 1100 x 700 mm)
Crated (HxWxD)	13 1/2 x 46 x 33 3/4 in (340 x 1170 x 860 mm)
Maximum ESP (IWC)	0.6
Airflow CFM (Turbo/High/Med/Low)	845/670/530/470
Indoor Sound Level dB (Turbo/High/Med/Low)	39/36/33/30
Motor Rating (HP)	0.27
Heat Exchanger Fin Type	Blue Fin
Condensate Pump	Included - 39 in. Lift
Weight (Ship/Net)	70/77 lbs



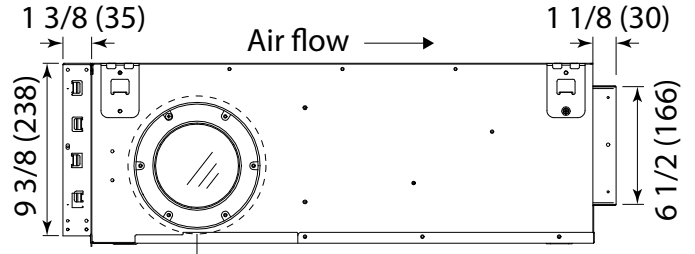
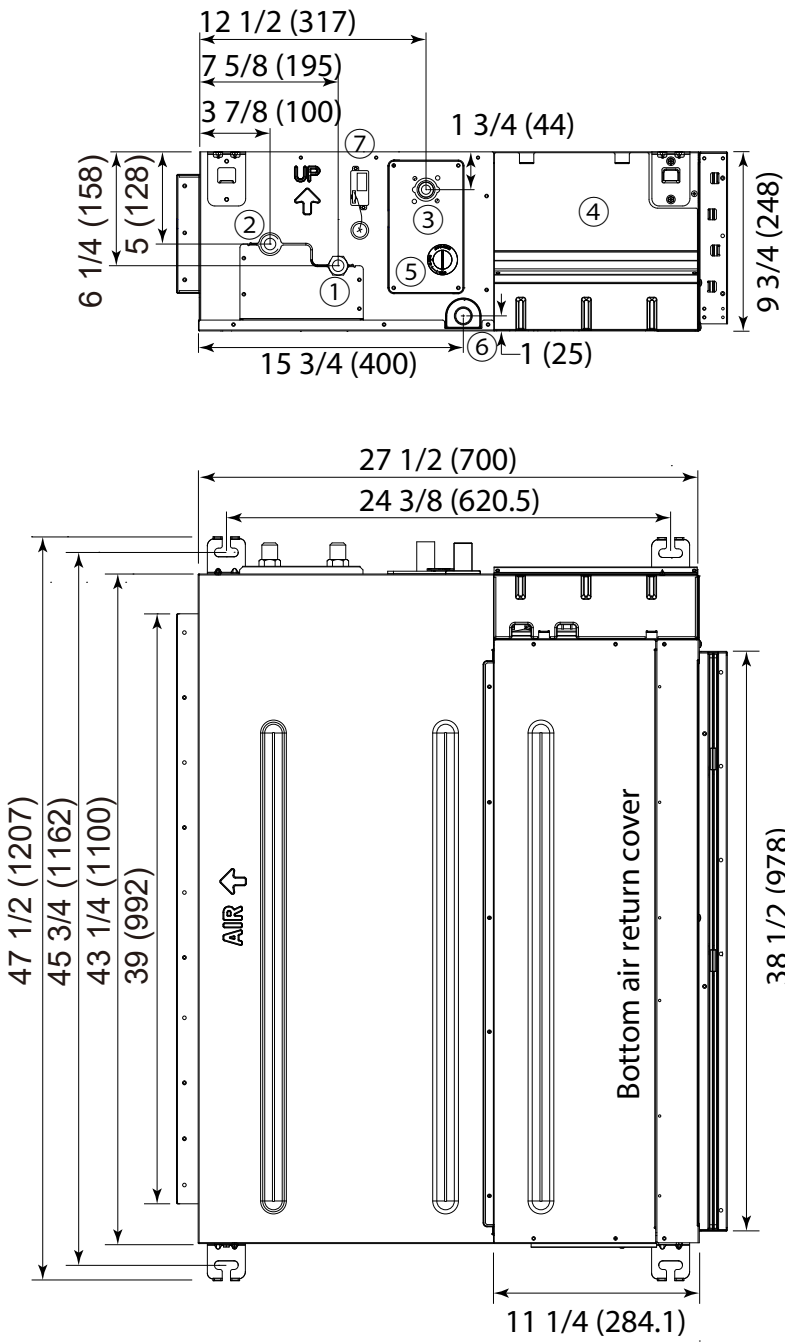
GE APPLIANCES
a Haier company

For more information visit us:
www.Haierductless.com
www.Haierductlesshelp.com

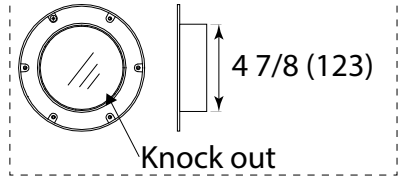
Haier FlexFit Multi Series Submittal

24000 BTU/HR MID-STATIC DUCTED INDOOR

USYM24UCDSA



Reversible fresh air supply adapter



#	Description
1	Liquid pipe connection
2	Vapor pipe connection
3	Drain pump outlet
4	Control board cover
5	Inspection hole
6	Gravity drain outlet
7	WiFi module

Haier FlexFit Multi Series Submittal

9000 BTU/HR FLOOR CONSOLE INDOOR

USYF09UCDWA

Job Name: _____

Purchaser: _____

Submitted To: _____

Construction: _____

Reference: _____

Approval: _____

Date: _____

Submitted By: _____

Unit: _____

Drawing #: _____



Electrical Requirement

Power Supply	208/230V, 1 Phase, 60 HZ
Operating Voltage Range	187~253 VAC

Performance

Rated Cooling Capacity	9,000 BTU
Rated Heating Capacity	10,000 BTU

Piping

Flare Connections	Liquid: 1/4" Vapor: 3/8"
Drain Pipe	5/8"

Indoor Unit

Uncrated Dimension (HxWxD)	23 3/4 x 27 1/2 x 8 1/4 in (600 x 700 x 210 mm)
Crated (HxWxD)	27 1/2 x 30 3/4 x 12 in (695 x 783 x 303 mm)
Airflow CFM (Turbo/High/Med/Low)	264/235/205/176
Indoor Sound Level dB (Turbo/High/Med/Low)	40/32/25/20
Motor Rating (HP)	0.04
Heat Exchanger Fin Type	Blue Fin
Weight (Ship/Net)	36/40 lbs

Accessories

Remote Controller

Ships with WJ01X24721 (Primary Remote Control)

Wired Controller

Compatible with Programmable Wired Controller and Simple Wired Controller

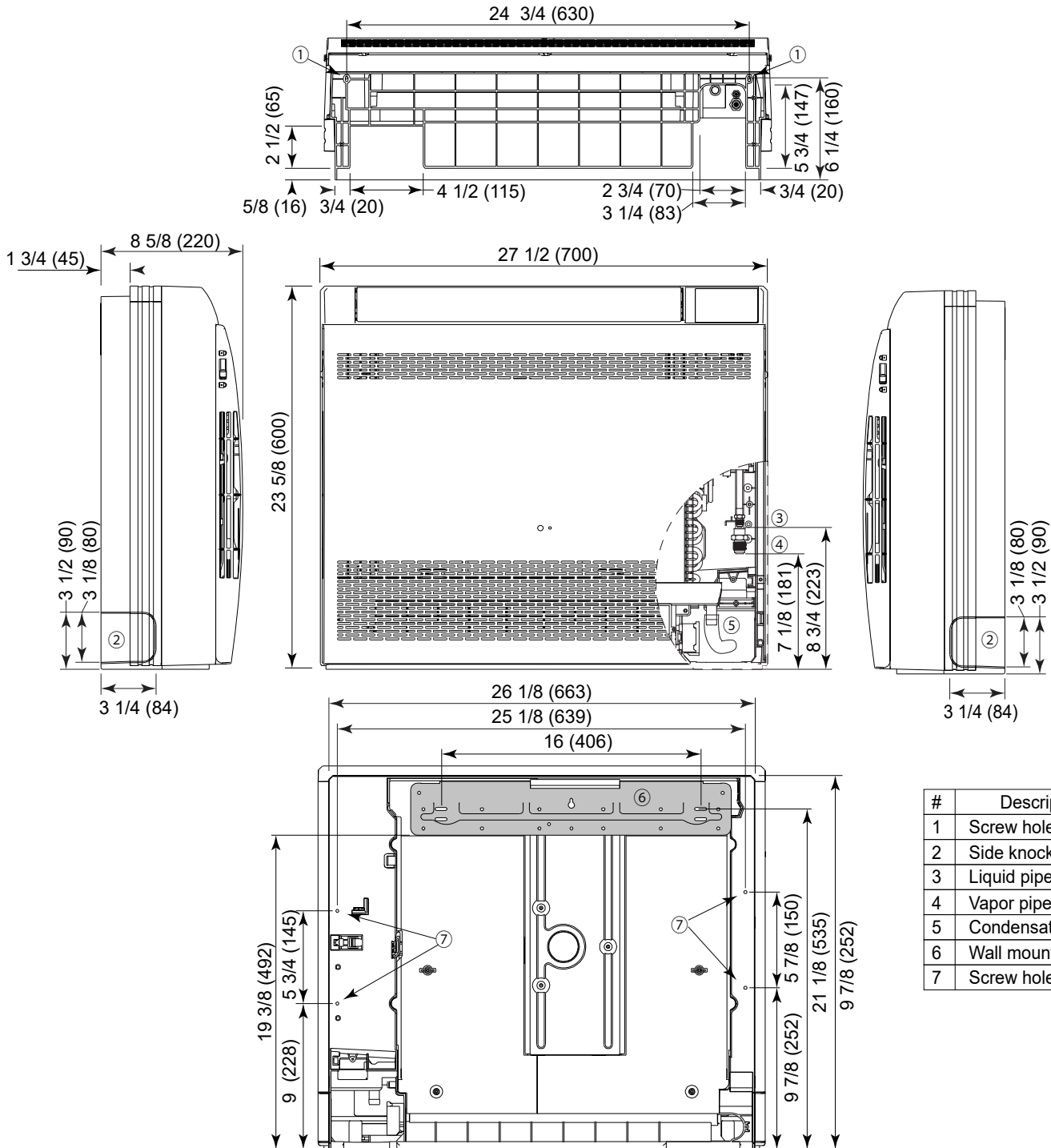
Built-in WiFi



For more information visit us:
www.Haierductless.com
www.Haierductlesshelp.com

9000 BTU/HR FLOOR CONSOLE INDOOR

USYF09UCDWA



Haier FlexFit Multi Series Submittal

12000 BTU/HR FLOOR CONSOLE INDOOR

USYF12UCDWA

Job Name: _____

Purchaser: _____

Submitted To: _____

Construction: _____

Reference: _____

Approval: _____

Date: _____

Submitted By: _____

Unit: _____

Drawing #: _____



Electrical Requirement	
Power Supply	208/230V, 1 Phase, 60 HZ
Operating Voltage Range	187~253 VAC

Performance	
Rated Cooling Capacity	12,000 BTU
Rated Heating Capacity	13,000 BTU

Piping	
Flare Connections	Liquid: 1/4" Vapor: 3/8"
Drain Pipe	5/8"

Indoor Unit	
Uncrated Dimension (HxWxD)	23 3/4 x 27 1/2 x 8 1/4 in (600 x 700 x 210 mm)
Crated (HxWxD)	27 1/2 x 30 3/4 x 12 in (695 x 783 x 303 mm)
Airflow CFM (Turbo/High/Med/Low)	294/264/235/176
Indoor Sound Level dB (Turbo/High/Med/Low)	42/34/26/21
Motor Rating (HP)	0.04
Heat Exchanger Fin Type	Blue Fin
Weight (Ship/Net)	36/40 lbs

Accessories

Remote Controller

Ships with WJ01X24721 (Primary Remote Control)

Wired Controller

Compatible with Programmable Wired Controller and Simple Wired Controller

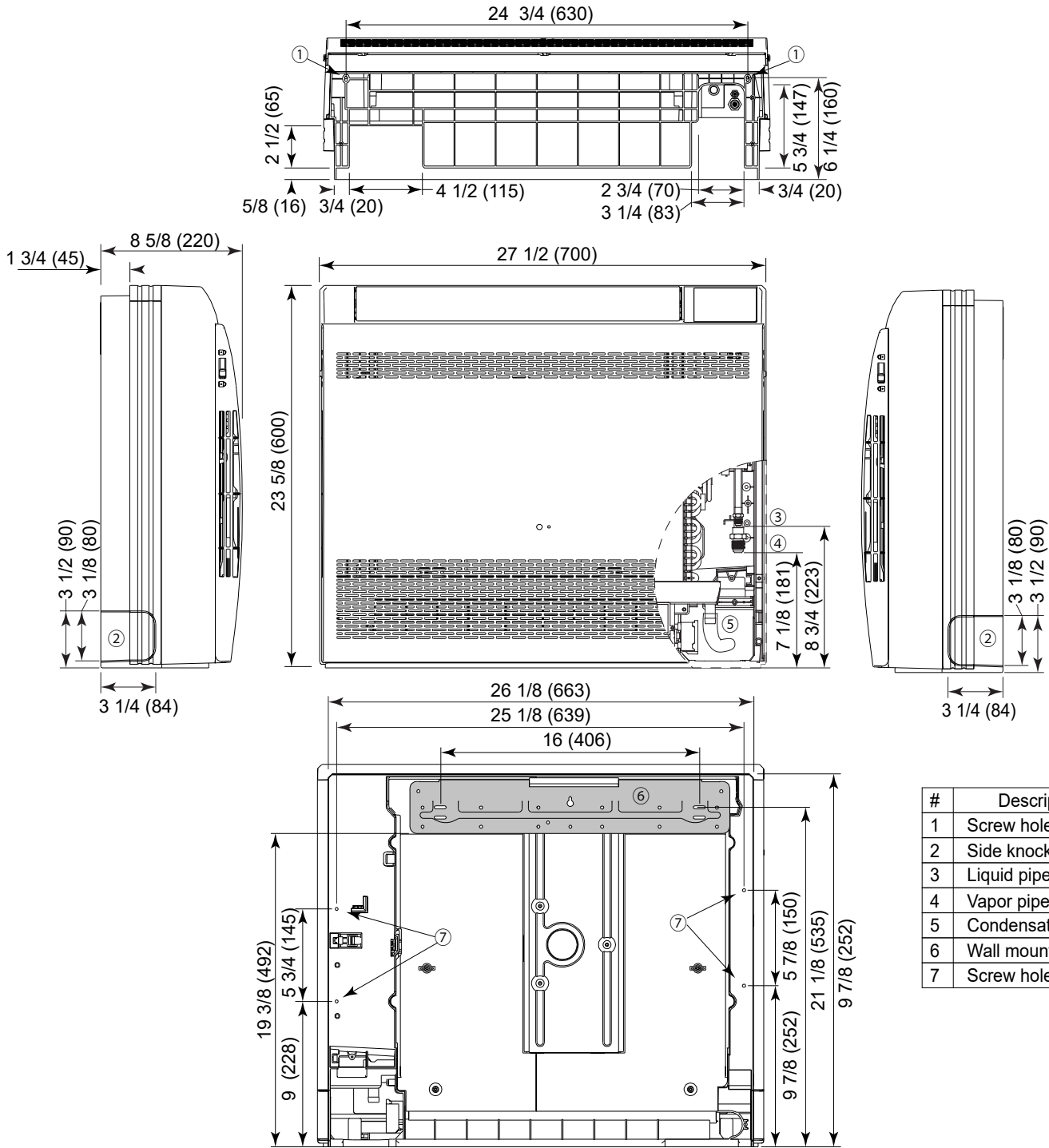
Built-in WiFi



For more information visit us:
www.Haierductless.com
www.Haierductlesshelp.com

12000 BTU/HR FLOOR CONSOLE INDOOR

USYF12UCDWA



#	Description
1	Screw holes for floor install
2	Side knockout
3	Liquid pipe connection
4	Vapor pipe connection
5	Condensate drain
6	Wall mounting plate
7	Screw holes for wall install

Haier FlexFit Multi Series Submittal

15000 BTU/HR FLOOR CONSOLE INDOOR

USYF18UCDWA

Job Name: _____

Purchaser: _____

Submitted To: _____

Construction: _____

Reference: _____

Approval: _____

Date: _____

Submitted By: _____

Unit: _____

Drawing #: _____



Indoor Unit	
Uncrated Dimension (HxWxD)	23 3/4 x 27 1/2 x 8 1/4 in (600 x 700 x 210 mm)
Crated (HxWxD)	27 1/2 x 30 3/4 x 12 in (695 x 783 x 303 mm)
Airflow CFM (Turbo/High/Med/Low)	341/311/282/252
Indoor Sound Level dB (Turbo/High/Med/Low)	46/37/33/28
Motor Rating (HP)	0.04
Heat Exchanger Fin Type	Blue Fin
Weight (Ship/Net)	36/40 lbs

Electrical Requirement

Power Supply	208/230V, 1 Phase, 60 HZ
Operating Voltage Range	187~253 VAC

Performance

Rated Cooling Capacity	15,000 BTU
Rated Heating Capacity	18,000 BTU

Piping

Flare Connections	Liquid: 1/4" Vapor: 1/2"
Drain Pipe	5/8"

Accessories

Remote Controller

Ships with WJ01X24721 (Primary Remote Control)

Wired Controller

Compatible with Programmable Wired Controller and Simple Wired Controller

Built-in WiFi



For more information visit us:
www.Haierductless.com
www.Haierductlesshelp.com

15000 BTU/HR FLOOR CONSOLE INDOOR

USYF18UCDWA

