

INSTALLER'S GUIDE

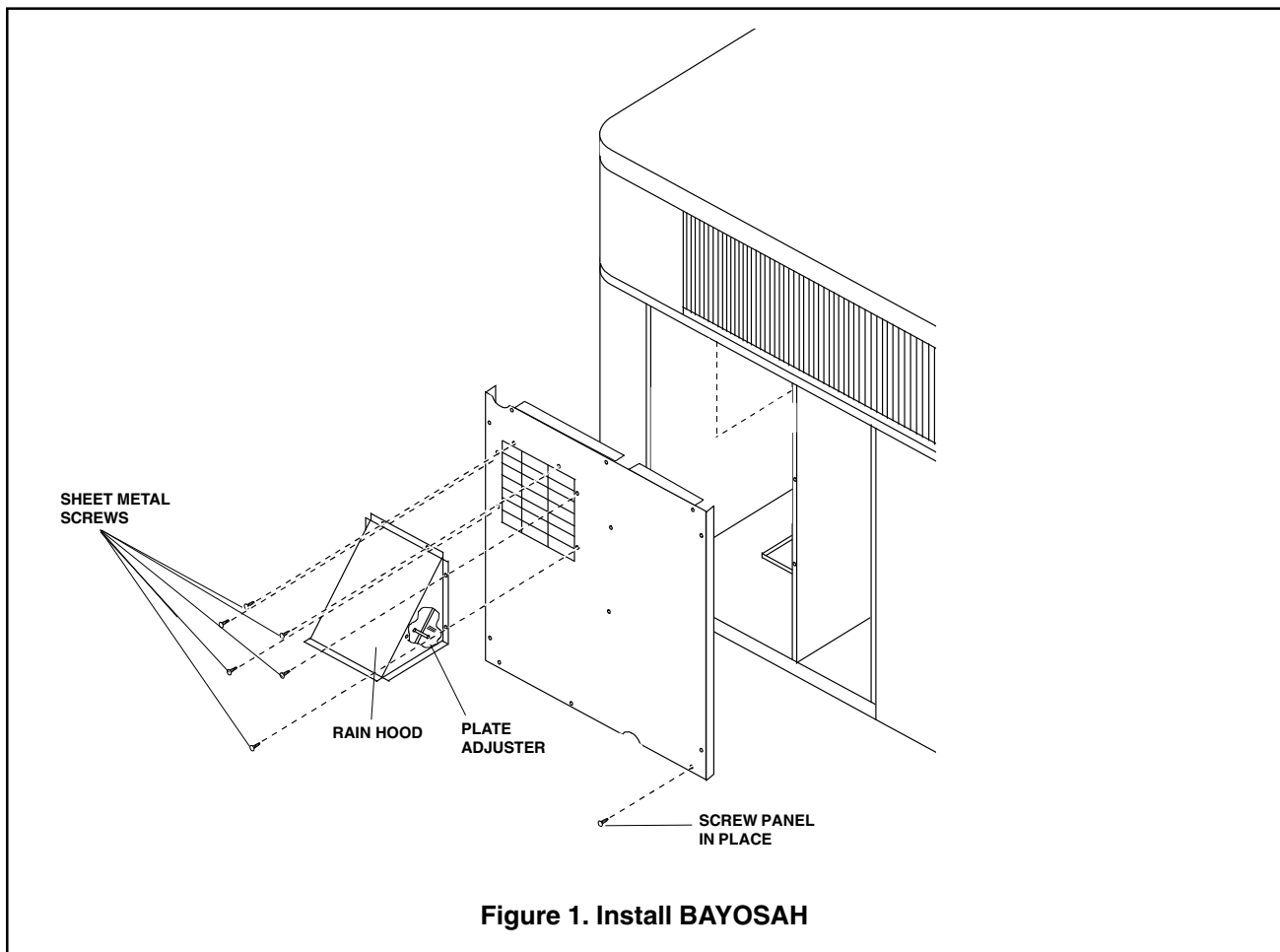
18-HE39D7-3

ALL phases of this installation must comply with
NATIONAL, STATE, AND LOCAL CODES

Model:	Used With:
BAYOSAH001	2/4YC**,2/4WC**,4DC**,4TC**018-036A
BAYOSAH002	2/4YC**,2/4WC**,4DC**,4TC**042-060A

**25% Manual
Fresh Air Kit**

IMPORTANT - This document is customer property and is to remain with this unit. Please return to service information pack upon completion of work.



A. GENERAL

These instructions do not purport to cover all variations in systems nor provide for every possible contingency to be met in connection with installation. Should further information be desired or should particular problems arise which

are not covered sufficiently for the purchaser's purposes, the matter should be referred to the manufacturer.

Check for transportation damage after kit is unboxed. Report promptly, to the carrier, any damage found to kit.

INSTALLER'S GUIDE

INSTALLATION

1. Remove the horizontal return air panel shipped on the HVAC unit. Discard.
2. Place screened panel from kit over horizontal return air opening and secure with sheet metal screws as shown in Figure 1.
3. Place gasketing (1/8" thick) on three (3) perimeter flanges of rain hood.
4. Place rain hood from kit to screened panel and secure with sheet metal screws as shown in Figure 1.
5. The fresh air kit has four (4) adjustment positions as shown in Figure 2.
6. There is a spring loaded plate adjuster for positioning for desired amount of outdoor air to be brought in. See Figure 1.

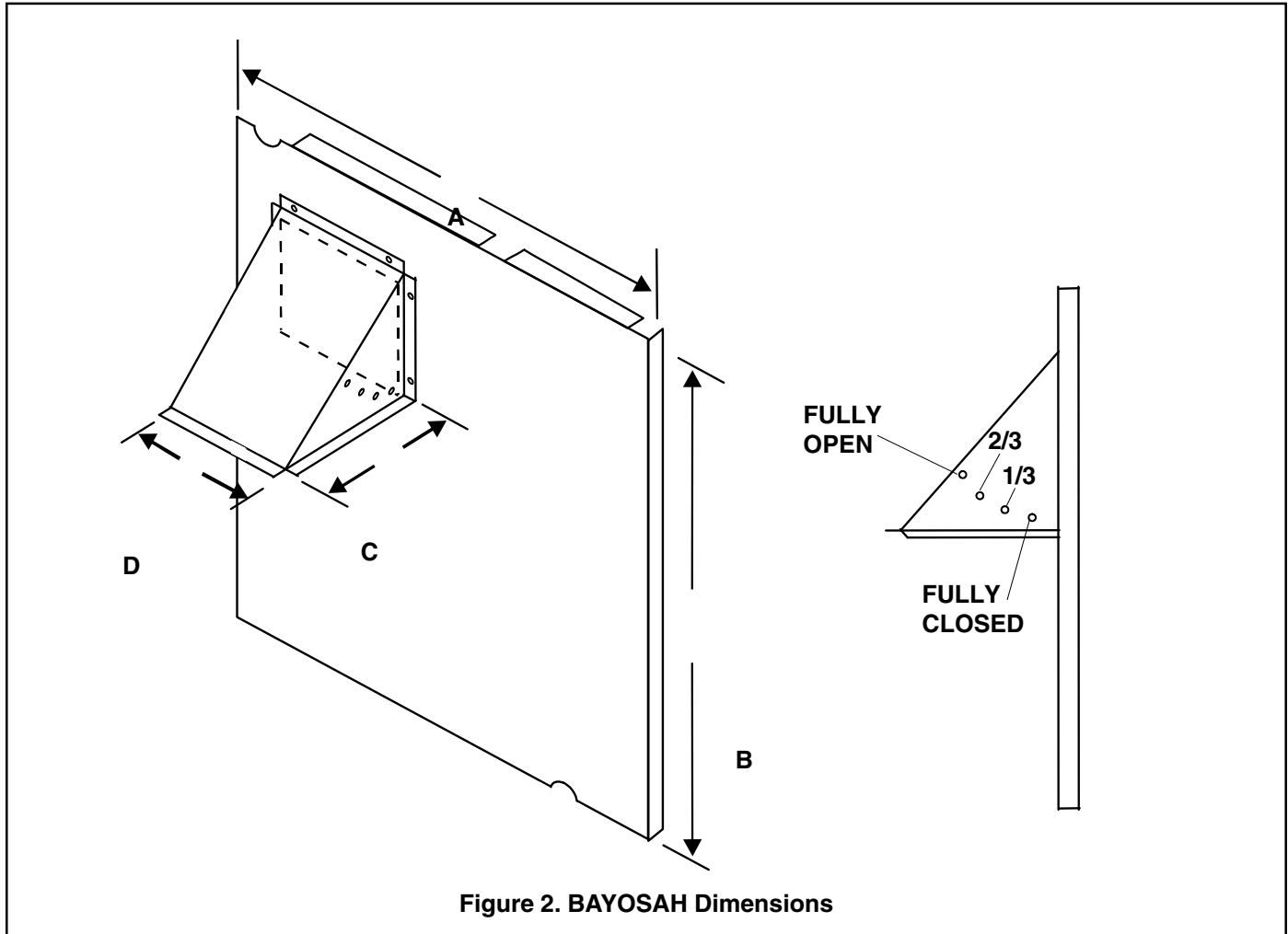


Figure 2. BAYOSAH Dimensions

Table 1. BAYOSAH Dimensions

Manual Fresh Air Model	Unit Application Models	A	B	C	D
BAYOSAH001	2/4YC**,2/4WC**,4DC**,4TC**018-036A	22 7/16"	20 11/16"	12 3/8"	9 3/16"
BAYOSAH002	2/4YC**,2/4WC**,4DC**,4TC**042-060A	25 3/16"	20 11/16"	12 3/8"	9 3/16"