

Connectiv (Atlantic Region)

List Price

Nema 1 Current Transformer Cabinets			
400-800 amps	CTJ-800	\$	650.00
1000 amps	CTJ-1000 *	\$	3,200.00
1200 amps	CTJ-1200 *	\$	3,400.00
1600 amps	CTJ-1600 *	\$	4,400.00
1600 amps	CTJ-1600SW *	\$	5,000.00
2000 amps	CTJ-2000 *	\$	5,600.00
2000 amps	CTJ-2000SW *	\$	5,800.00
2500 amps	CTJ-2500SW *	\$	6,200.00
3000 amps	CTJ-3000SW *	\$	6,500.00
4000 amps	CTJ-4000SW *	\$	6,900.00

* Adder For Copper Bus

Nema 3R Current Transformer Cabinets			
400-800 amps	CTJ-800R	\$	825.00
1000 amps	CTJ-1000R *	\$	4,000.00
1200 amps	CTJ-1200R *	\$	4,200.00
1600 amps	CTJ-1600R *	\$	5,200.00
1600 amps	CTJ-1600SWR *	\$	5,800.00
2000 amps	CTJ-2000R *	\$	6,200.00
2000 amps	CTJ-2000SWR *	\$	6,400.00
2500 amps	CTJ-2500SWR *	\$	6,600.00
3000 amps	CTJ-3000SWR *	\$	6,700.00
4000 amps	CTJ-4000SWR *	\$	7,100.00

* Adder For Copper Bus

P.T. Cabinets			
Nema 1	EC-PT	\$	400.00
Nema 3R	EC-PTR	\$	450.00

Metering Cabinet			
Small 3R	EC-SMC	\$	1,200.00
Large 3R	EC-LMC	\$	2,200.00

Consult Sales Office For:

- Custom cabinets
- Stainless Steel
- Custom Pull Boxes
- Hardware
- High Voltage Metering
- Utility Switchboards

Connectiv (Atlantic Region)

NEMA 1 DETAIL CABINET/TERMINATION

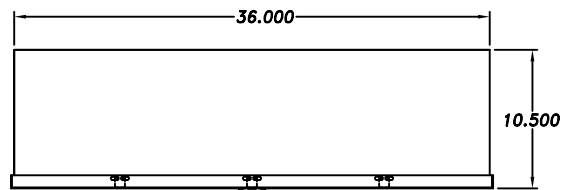
400-800 Amps	DCT-800	\$2,500
1000 Amps	DCT-1000	\$3,500
1200 Amps	DCT-1200	\$4,200
1600 Amps	DCT-1600	\$4,800
2000 Amps	DCT-2000	\$5,300
3000 Amps	DCT-3000	\$5,600
4000 Amps	DCT-4000	\$6,000

NEMA 3R DETAIL CABINET/TERMINATION

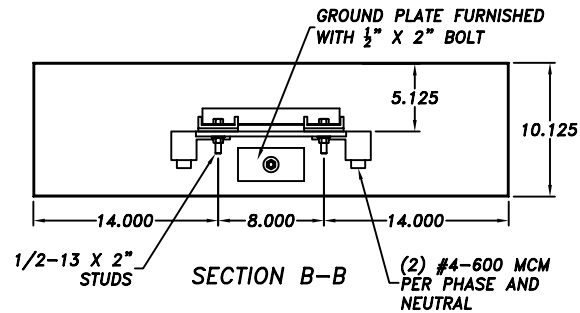
400-800 Amps	DCT-800R	\$3,200
1000 Amps	DCT-1000R	\$4,000
1200 Amps	DCT-1200R	\$4,700
1600 Amps	DCT-1600R	\$5,200
2000 Amps	DCT-2000R	\$5,700
3000 Amps	DCT-3000R	\$5,900
4000 Amps	DCT-4000R	\$6,400

Drawings located at end of Catalog

CATALOG#- CTJ-800



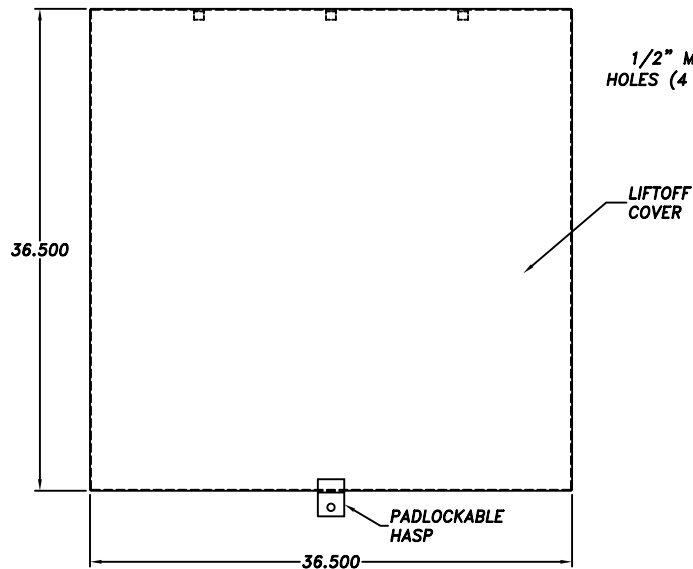
TOP VIEW



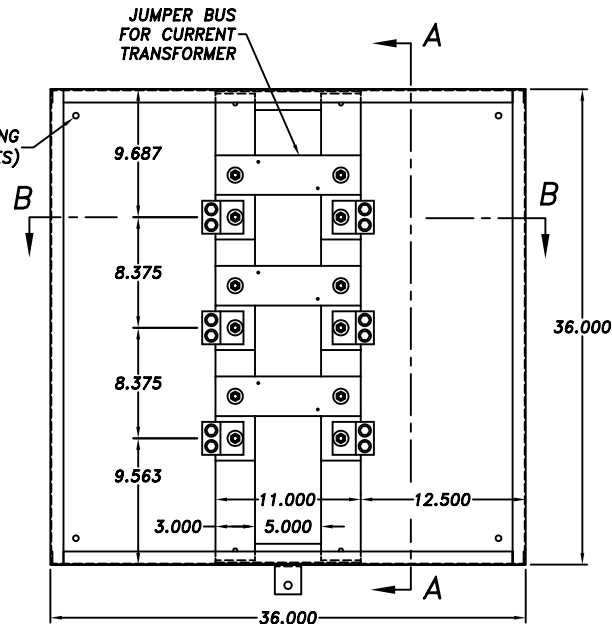
SECTION B-B

GENERAL NOTES

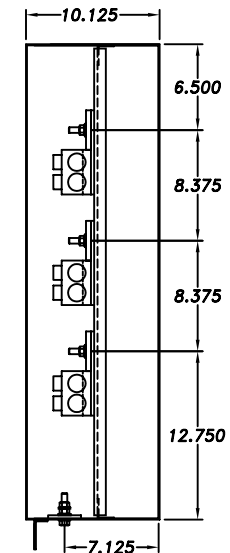
1. NEMA 1 CONSTRUCTION, 14 GA GALVANEAL STEEL PAINTED GRAY, WALL MOUNTED.
2. DESIGNED FOR FRONT ACCESS.
3. CABINET IS FURNISHED WITH (6) 1/2" X 3" X 6 3/8" COPPER STRAPS WITH 1/2" THREADED HOLES WITH 1/2-13 X 2" BOLTS, NUTS AND WASHERS. AND (3) 1/2" X 3" X 11" JUMPER BUS.



FRONT VIEW



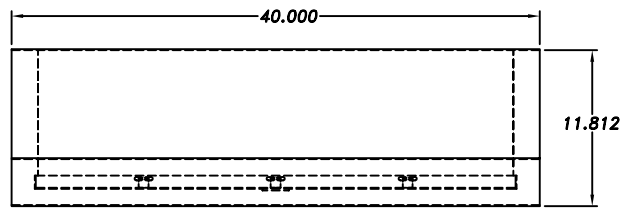
FRONT VIEW WITH COVER REMOVED



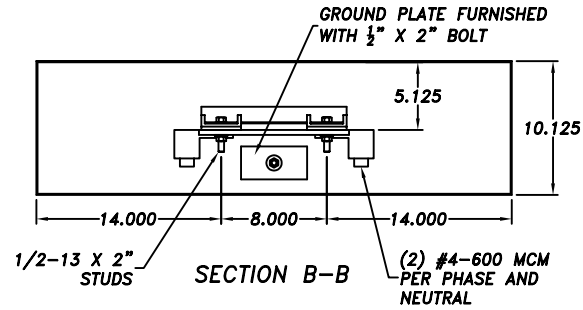
SECTION A-A

CONNECTIV, NEMA 1							
INDOOR CURRENT TRANSFORMER 200A TO 800A							
	DWG. REV.	BY	DATE	DESCRIPTION			
					DWG. SIZE	B	SCALE
							1 : 1
					DWG. REV.		SHEET
							1 OF 1
					DWG. NO.	A-01430	
					EAST COAST PANELBOARD, INC. A DIVISION OF EAST COAST POWER SYSTEMS 3 CASS STREET - KEYPORT, NEW JERSEY 07735		

CATALOG#- CTJ-800R



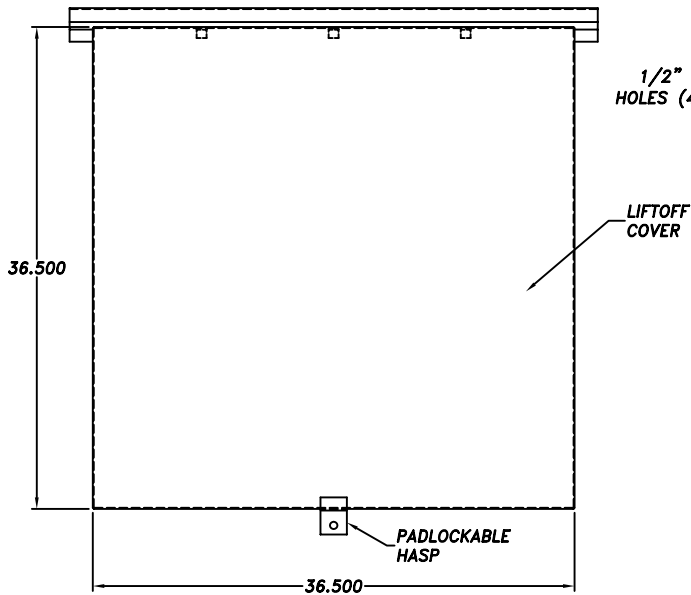
TOP VIEW



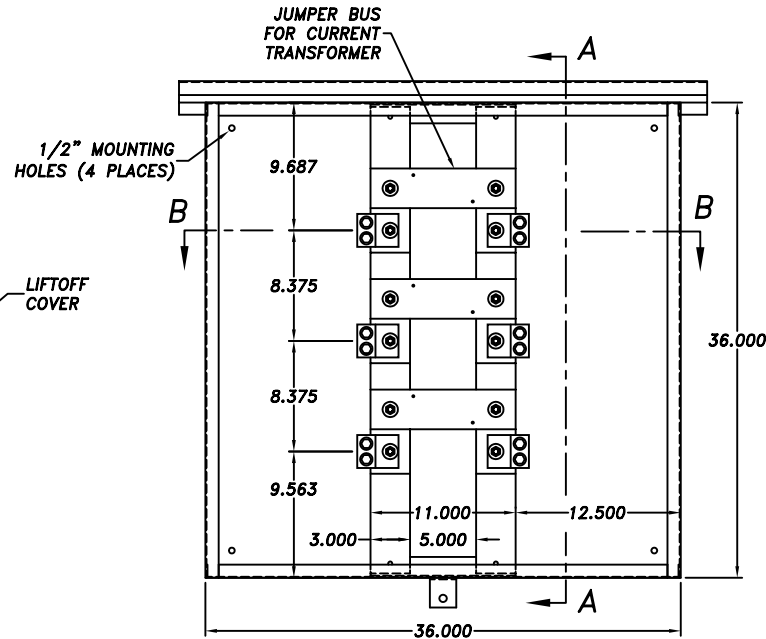
SECTION B-B

GENERAL NOTES

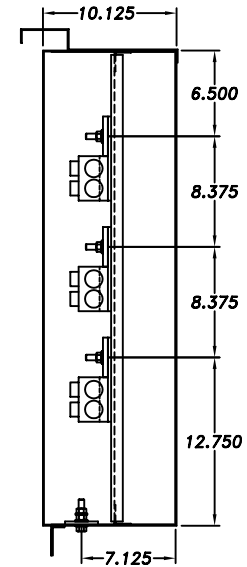
1. NEMA 3R CONSTRUCTION, 14 GA GALVANEAL STEEL PAINTED GRAY, WALL MOUNTED.
2. DESIGNED FOR FRONT ACCESS.
3. CABINET IS FURNISHED WITH (6) 1/4" X 3" X 6 3/8" COPPER STRAPS WITH 1/2" THREADED HOLES WITH 1/2-13 X 2" BOLTS, NUTS AND WASHERS. AND (3) 1/2" X 3" X 11" JUMPER BUS.



FRONT VIEW



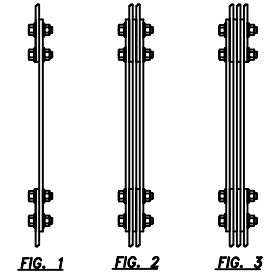
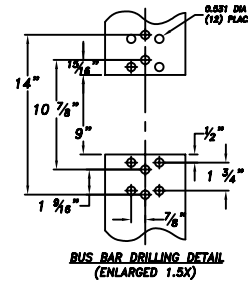
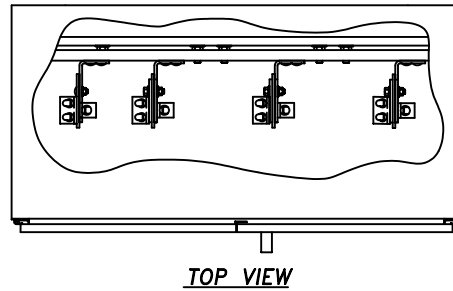
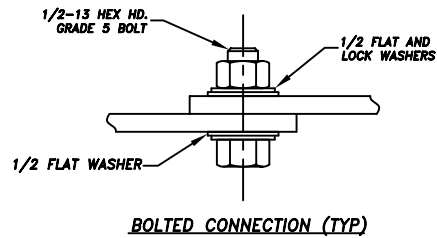
FRONT VIEW WITH COVER REMOVED



SECTION A-A

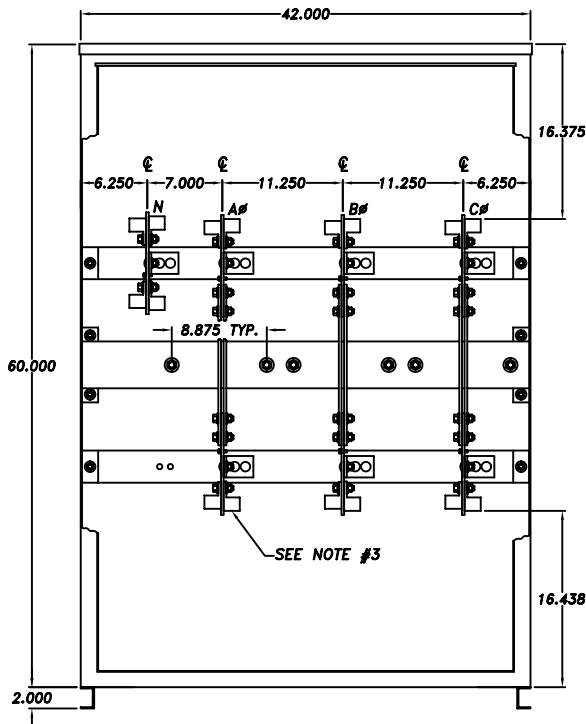
CONECTIV, NEMA 3R							
OUTDOOR CURRENT TRANSFORMER 200A TO 800A							
DWG. REV.	BY	DATE	DESCRIPTION				
	BY	DATE		DWG. SIZE	SCALE	DWG. REV.	SHEET
DRAWN	PJB	04-02-04	EAST COAST PANELBOARD, INC.	B	1 : 1		1 OF 1
CHECKED			A DIVISION OF EAST COAST POWER SYSTEMS				
APPROVED			3 CASS STREET - KEYPORT, NEW JERSEY 07735				
				DWG. NO.	A-01431		

CATALOG# - CTJ-1000R-2500R

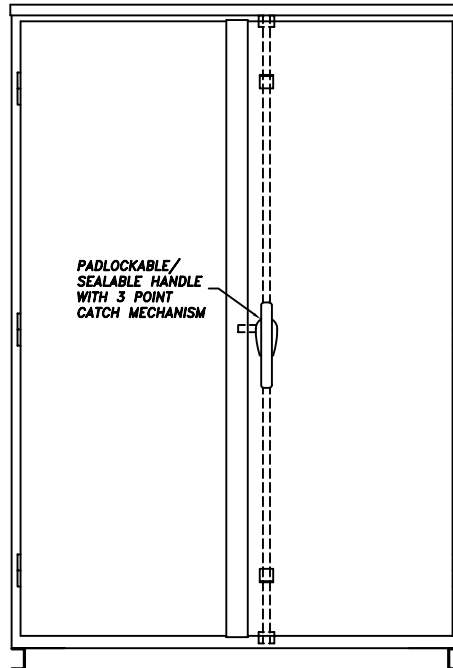


AMPS	FIG #	MATERIAL	
		COPPER	ALUMINUM
1000A	1	(1) 1/4 X 5	(1) 1/4 X 5
1200A	1	(1) 1/4 X 5	(1) 1/4 X 5
1600A	2	(2) 1/4 X 4	(2) 1/4 X 5
2000A	2	(2) 1/4 X 4	(2) 1/4 X 5
2500A	2	(2) 1/4 X 5	-
2500A	3	-	(3) 1/4 X 5

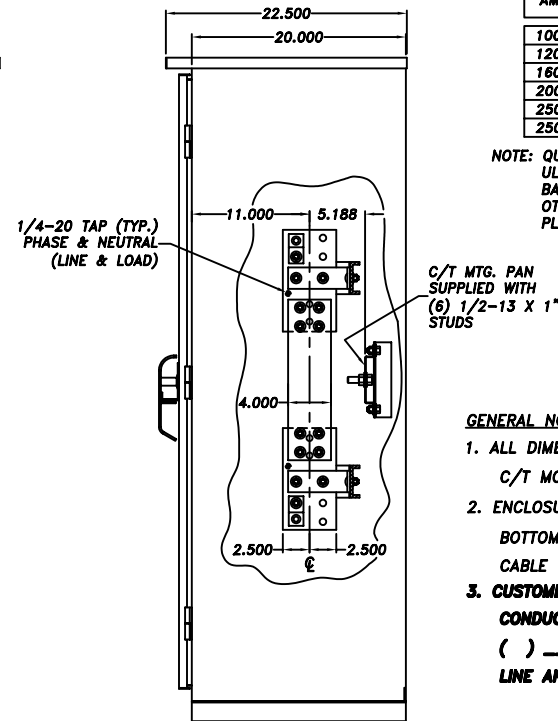
NOTE: QUANTITY AND SIZE OF BUS BARS SHALL BE PER UL 891 OR MANUFACTURERS UL LISTED SIZES BASED ON TEMPERATURE RISE TESTING. UNLESS OTHERWISE SPECIFIED ALL BUS SHALL BE TIN PLATED ALUMINUM.



FRONT VIEW WITHOUT DOORS



FRONT VIEW WITH DOORS



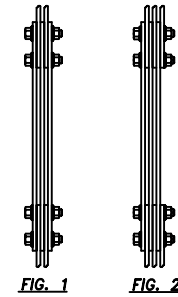
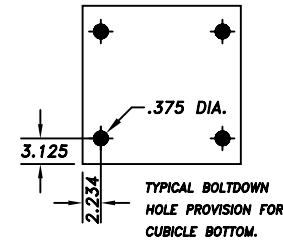
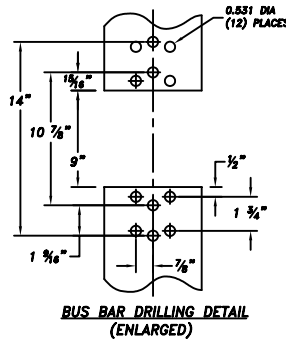
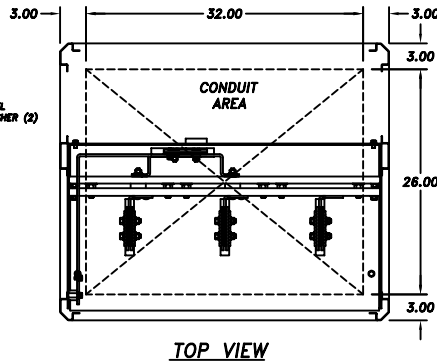
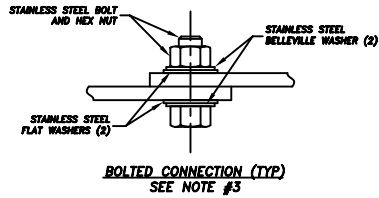
SIDE VIEW

GENERAL NOTES:

- ALL DIMENSIONS ARE MINIMUM EXCEPT THOSE FOR C/T MOUNTINGS.
- ENCLOSURE DESIGNED FOR EITHER LINE TOP / LOAD BOTTOM CABLE ENTRY OR LOAD TOP / LINE BOTTOM CABLE ENTRY.
- CUSTOMER TO SPECIFY SIZE AND QUANTITY OF CONDUCTORS PRIOR TO RELEASE FOR PRODUCTION.
() _____ MCM PER PHASE & NEUTRAL, LINE AND LOAD.

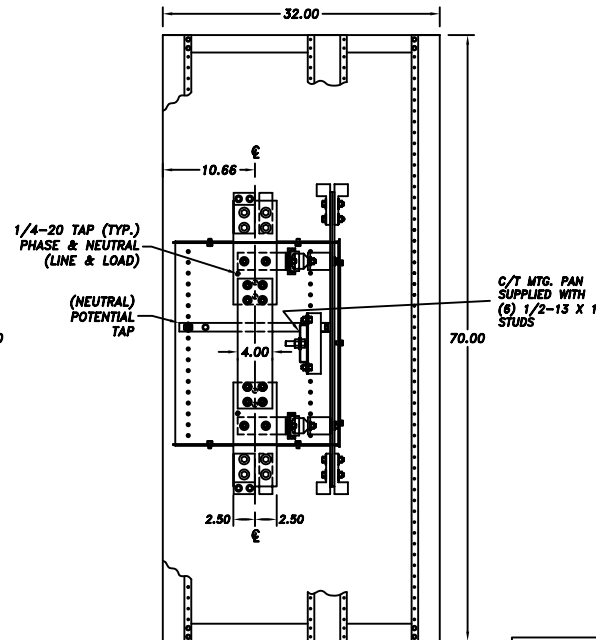
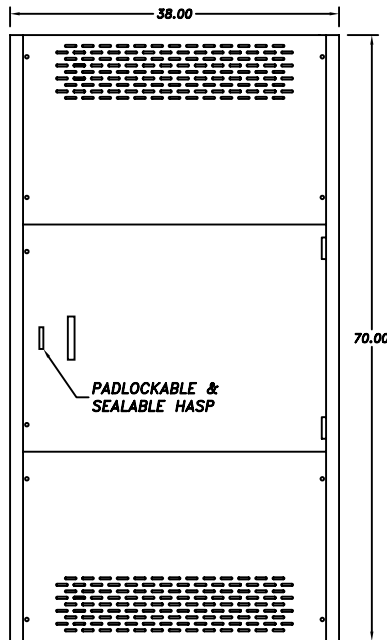
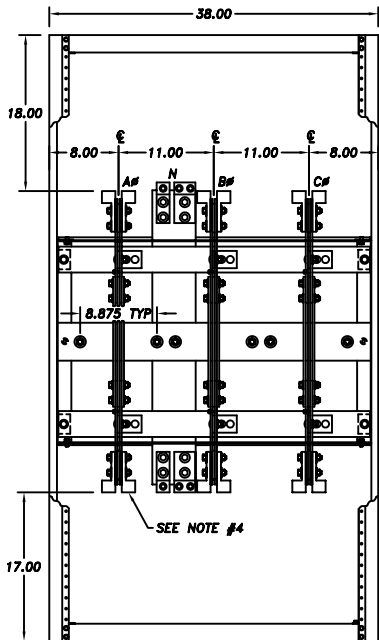
CONECTIV - NEMA 3R							
OUTDOOR CURRENT TRANSFORMER 1000A - 2500A, 600V MAX.				DWG. REV.	BY	DATE	DESCRIPTION
DRAWN	PJB	04-02-04	EAST COAST PANELBOARD, INC.	DWG. SIZE	B	SCALE	1:1
CHECKED			A DIVISION OF EAST COAST POWER SYSTEMS	DWG. REV.			SHEET 1 OF 1
APPROVED			3 CASS STREET - KEYPORT, NEW JERSEY 07735	DWG. NO.	A-01433		

CATALOG# - CTJ-1600SW-2400SW



AMPS	FIG #	MATERIAL	
		COPPER	ALUMINUM
1600A	1	(2) 1/4 X 4	(2) 1/4 X 5
2000A	1	(2) 1/4 X 4	(2) 1/4 X 5
2400A	1	(2) 1/4 X 5	-
2400A	2	-	(3) 1/4 X 5

NOTE: QUANTITY AND SIZE OF BUS BARS SHALL BE PER UL 891 OR MANUFACTURERS UL LISTED SIZES BASED ON TEMPERATURE RISE TESTING. UNLESS OTHERWISE SPECIFIED ALL BUS SHALL BE TIN PLATED ALUMINUM.

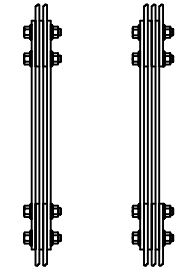
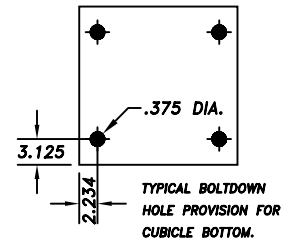
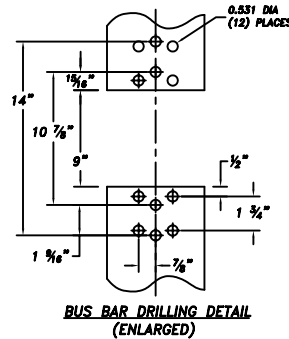
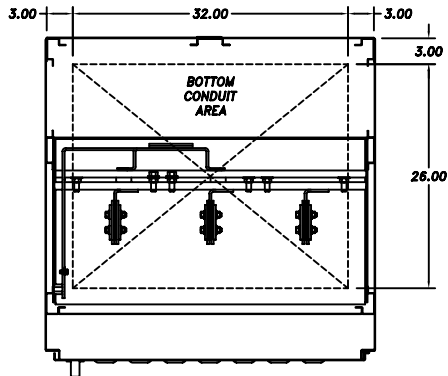
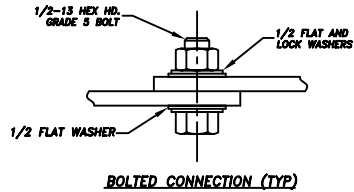


GENERAL NOTES:

1. ALL DIMENSIONS ARE MINIMUM EXCEPT THOSE FOR C/T MOUNTINGS.
2. FRONT, SIDE AND REAR COVERS ARE PROVIDED WITH PROVISIONS FOR UTILITY SEALS.
3. CUSTOMER TO SPECIFY SIZE AND QUANTITY OF CONDUCTORS PRIOR TO RELEASE FOR PRODUCTION.
() _____ MCM PER PHASE & NEUTRAL, LINE AND LOAD.

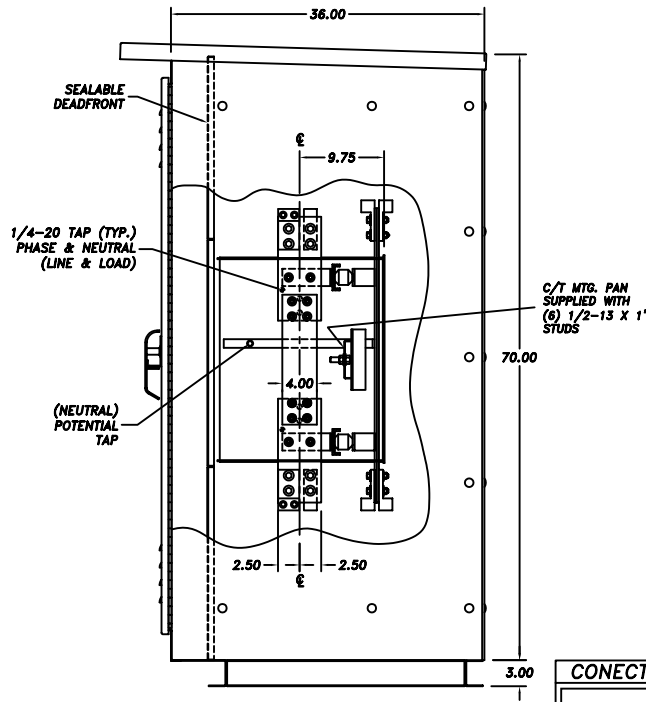
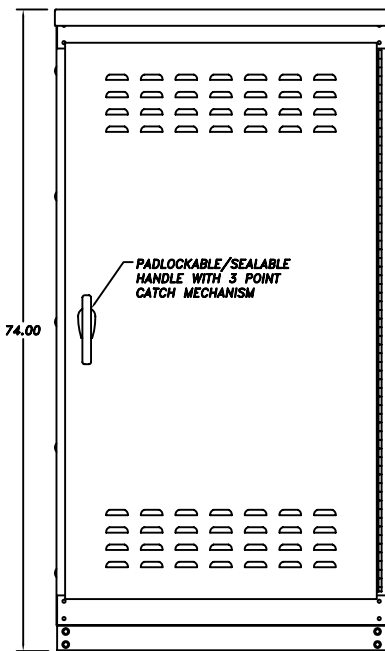
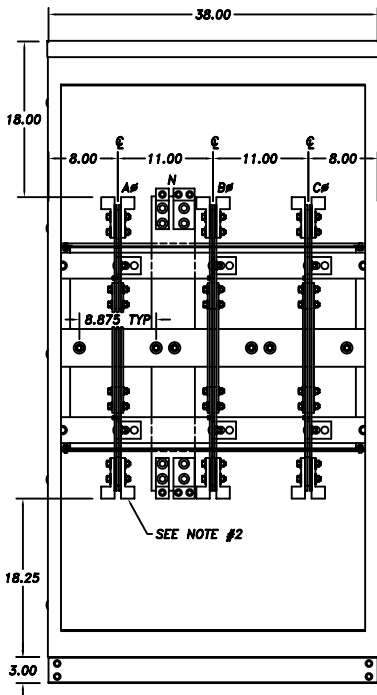
CONECTIV - NEMA 1					
INDOOR CURRENT TRANSFORMER 1600A - 2400A, 600V MAX.					
DWG. REV.	BY	DATE	DESCRIPTION		
			DWG. SIZE	SCALE	DWG. REV.
DRAWN	PJB	04-02-04	B	1:1	1 OF 1
CHECKED			EAST COAST PANELBOARD, INC. A DIVISION OF EAST COAST POWER SYSTEMS 3 CASS STREET - KEYPORT, NEW JERSEY 07735		
APPROVED			DWG. NO.	A-01434	

CATALOG#- CTJ-1600SWR-2500SWR



AMPS	FIG #	MATERIAL	
		COPPER	ALUMINUM
1600A	1	(2) 1/4 X 4	(2) 1/4 X 5
2000A	1	(2) 1/4 X 4	(2) 1/4 X 5
2500A	1	(2) 1/4 X 5	-
2500A	2	-	(3) 1/4 X 5

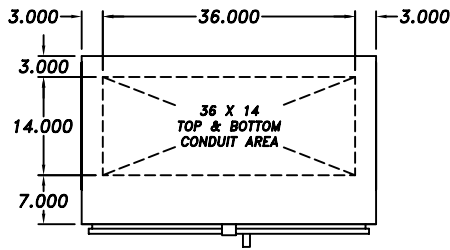
NOTE: QUANTITY AND SIZE OF BUS BARS SHALL BE PER UL 891 OR MANUFACTURERS UL LISTED SIZES BASED ON TEMPERATURE RISE TESTING. UNLESS OTHERWISE SPECIFIED ALL BUS SHALL BE TIN PLATED ALUMINUM.



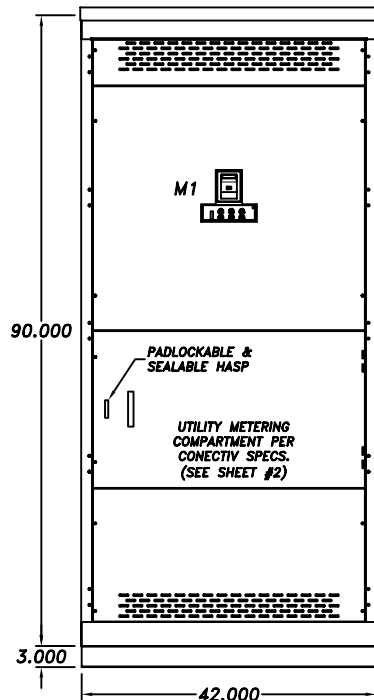
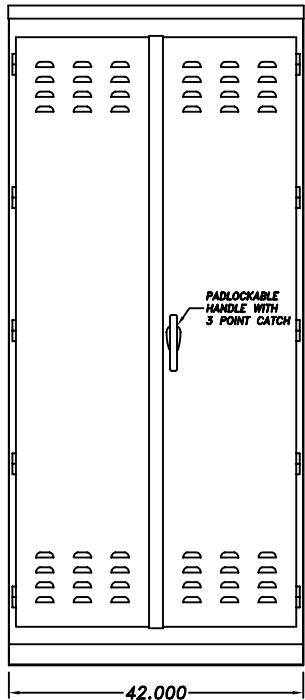
GENERAL NOTES:

- ALL DIMENSIONS ARE MINIMUM EXCEPT THOSE FOR C/T MOUNTINGS.
- CUSTOMER TO SPECIFY SIZE AND QUANTITY OF CONDUCTORS PRIOR TO RELEASE FOR PRODUCTION.
() _____ MCM PER PHASE & NEUTRAL, LINE AND LOAD.

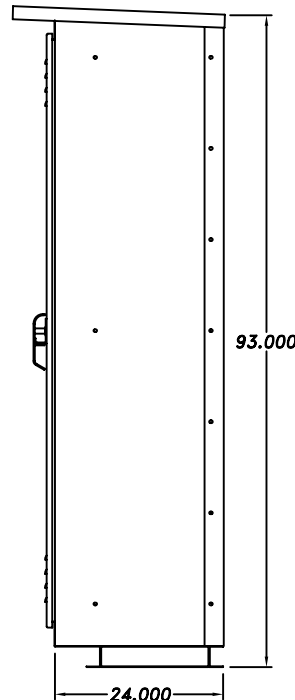
CONECTIV - NEMA 3R							
OUTDOOR CURRENT TRANSFORMER 1600A - 2400A, 600V MAX.							
DWG. REV.	BY	DATE	DESCRIPTION				
DWG. SIZE	B	SCALE	1" = 1"	DWG. REV.		SHEET	1 OF 1
DRAWN	PJB	04-08-04	EAST COAST PANELBOARD, INC. A DIVISION OF EAST COAST POWER SYSTEMS 3 CASS STREET - KEYPORT, NEW JERSEY 07735	DWG. NO.	A-01435		
CHECKED							
APPROVED							



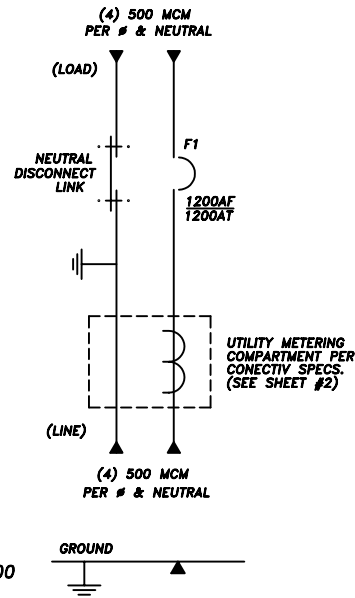
PLAN VIEW



FRONT VIEW



SIDE VIEW



ONE-LINE DIAGRAM

GENERAL NOTES

1. NEMA 3R CONSTRUCTION.
2. AIR VENTS PER MANUFACTURERS STANDARDS.
3. DESIGNED FOR FRONT ACCESS ONLY.
4. CABLE ENTRY: BOTTOM (LINE) TOP (LOAD)
5. FABRICATED AS (1) SECTION FOR SHIPMENT.

SPECIFICATIONS

1. SYSTEM RATING:
VOLTAGE: 120/208 VAC, 3#/4W
AMPS: 1200A
2. INTERRUPT RATING: THE SHORT CIRCUIT INTERRUPTING CAPABILITY IS 65,000 RMS SYMMETRICAL AMPERES AT 240 VOLTS BASED ON THE LOWEST SHORT CIRCUIT CURRENT RATING OF THE INDIVIDUAL DEVICE INSTALLED AT TIME OF MANUFACTURE.
THE BUSSING STRUCTURE IS CONSTRUCTED TO WITHSTAND FAULTS OF 65,000 RMS SYMMETRICAL AMPERES.
3. ALL BUS IS:
 ALUM ϕ 750A SQ IN
 COPPER ϕ 1000A SQ IN
4. APPLICABLE LABELS:
 U.L. 891 DEADFRONT SWITCHBOARD.
 SUITABLE FOR USE AS SERVICE EQUIPMENT.

CONECTIV 1200A MBCT, NEMA 3R							
ELEVATION, PLAN VIEW AND ONE-LINE DIAGRAM				DWG. REV.	BY	DATE	DESCRIPTION
DRAWN	PJB	01-28-07		DWG. SIZE	B	SCALE	1 : 1
CHECKED				DWG. REV.		SHEET	1 OF 2
APPROVED				DWG. NO. A-01598			

EAST COAST PANELBOARD, INC.
A DIVISION OF EAST COAST POWER SYSTEMS
3 OAKS STREET, KENYON, NEW JERSEY 07735
PROPERTY OF EAST COAST PANELBOARD, INC.
USE PERMITTED FOR OUR WORK ONLY

_____ MBCT WORKSHEET

_____ MSCT WORKSHEET

Utility Name: _____ Location: _____

Interrupting Rating: _____ AIC _____

Ampere Rating: _____ Sequence: Hot Cold

Voltage: _____

Enclosure Type: NEMA 1 NEMA 3R

Incoming Feed: TOP BOTTOM

Incoming Lug Size: _____

Secondary Lug Size: _____

Shunt Trip Required: YES NO

Requested Ship Date: _____

24 Notice Contact: _____ Phone Number: _____

Signature: _____ Release Date: _____