



# WHERE QUALITY COMES FIRST

globally renowned

## cal-pro hydronic expansion tanks



Side connection allows for quicker, less expensive installation

Zilmet has over 50 years of experience in manufacturing high quality diaphragm well tanks

- Produces over 7 million tanks and 1 million heat exchangers annually
- Fully vertically integrated, designing and manufacturing all diaphragms internally

Zilmet has created a compact design with a seamless diaphragm that never stretches or creases. There are no bubbles or corners to trap sediment, inhibiting bacterial growth

### technical features:

- Each tank is factory leak tested to ensure tank integrity
- Certified synthetic SBR rubber diaphragm
- All diaphragms designed to maximize drawdown
- MIG welding eliminates interior rough spots and sharp edges
- Welded side outlet allows easy and quick installation
- Low profile tank design with full membrane depth eliminates stretching of diaphragm, providing increased life cycle
- External baked on epoxy-polyester coating provides a durable, appliance like finish
- Protected pre charge valve eliminates potential leak path
- 5 year warranty on all models

### material description

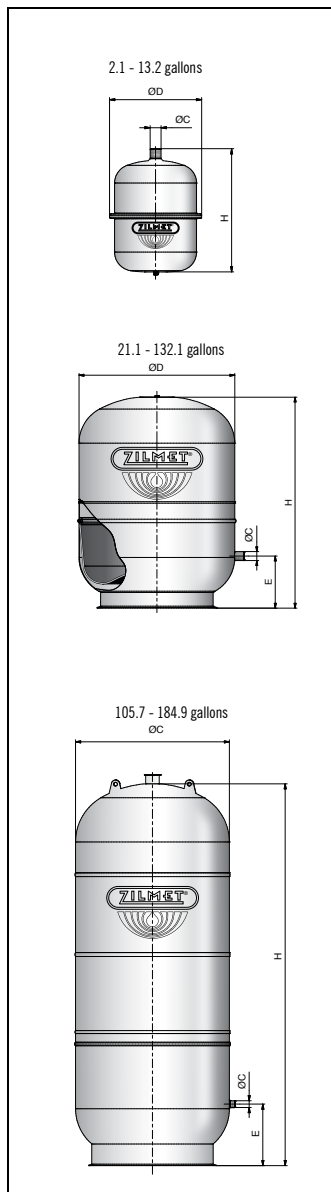
description	material
shell	carbon steel
connections	carbon steel
membrane	SBR synthetic rubber
color	grey

### operating conditions

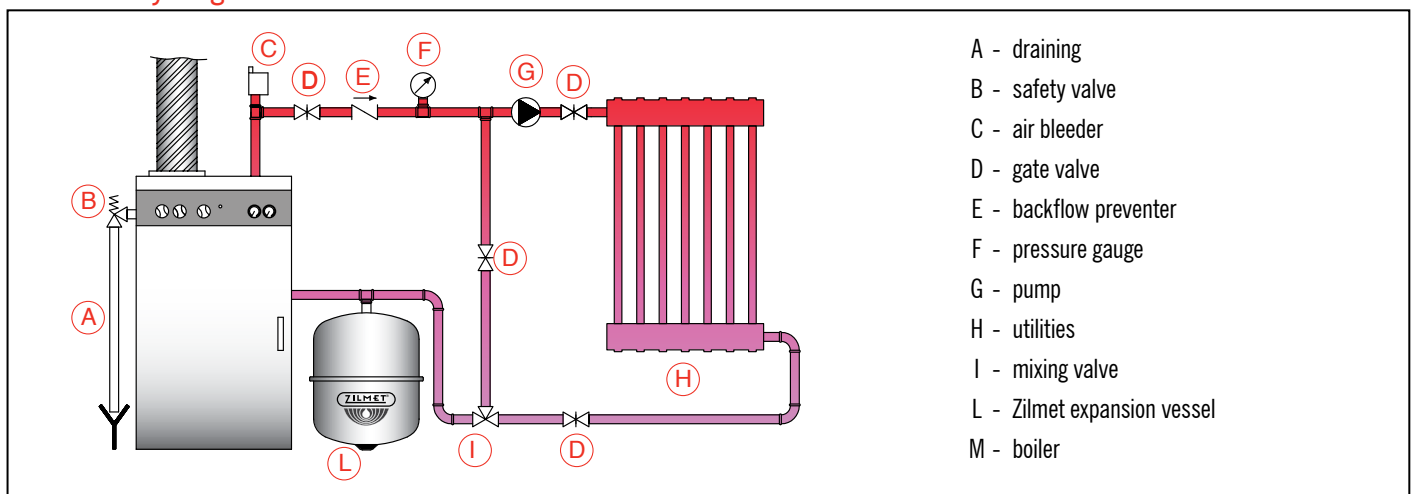
max. working pressure 2-13.2 gal	60 psi
max. working pressure 21-184 gal	90 psi
max. operating temperature	210°F
factory precharge	12 psi



## ■ technical drawings



## ■ assembly diagram



## ■ technical and dimensional data

	Model #	Capacity	Diameter	Height	Connection height	Connection	Acceptance Volumes
		Gallons	inches (ØD)	inches (H)	inches (E)	(ØC)	
Inline	ZHT8-15	2.1	8.7	11.6	-	1/2" NPT	1.4
	ZHT12	3.2	11.6	11.1	-	1/2" NPT	2
	ZHT18-30	4.8	11.4	14.8	-	1/2" NPT	3
	ZHT24-60	6.3	12.8	16.3	-	1/2" NPT	3.9
	ZHT35	9.2	15.9	16.1	-	3/4" NPT	5.7
	ZHT50-90	13.2	16.0	20.9	-	3/4" NPT	8.1
	ZHT35F	9.2	15.9	15.2	4.7	3/4" NPT	5.7
With Base	ZHT50F	13.2	16.0	20.0	6.2	3/4" NPT	8.1
	ZHT 80	21.1	17.7	23.9	5.9	3/4" NPT	15.3
	ZHT105	27.7	19.7	26.2	6.5	3/4" NPT	20.1
	ZHT150	39.6	19.7	35.3	8.5	3/4" NPT	28.8
	ZHT200	52.8	23.6	32.0	8.9	3/4" NPT	38.4
	ZHT250	66.0	24.8	37.0	9.6	3/4" NPT	48
	ZHT300	79.3	24.8	43.5	9.6	3/4" NPT	57.7
	ZHT400	105.7	24.8	57.1	9.6	3/4" NPT	76.8
	ZHT500	132.1	29.5	52.8	11.4	1" NPT	96
	ZHT600	158.5	29.5	61.2	11.4	1" NPT	115.2
	ZHT700	184.9	29.5	69.1	11.4	1" NPT	134.2

## ■ cal pro sizing chart

Boiler Net Output (1000's of BTU/Hr)	Type of Radiation			
	Finned Tube Baseboard and Radiant	Convection and Unit Heaters	Radiators	Cast Iron Baseboard
25	ZHT8-15	ZHT8-15	ZHT8-15	-15
50	ZHT8-15	ZHT8-15	ZHT18-30	ZHT18-30
75	ZHT18-30	ZHT18-30	ZHT18-30	ZHT24-60
100	ZHT18-30	ZHT18-30	ZHT24-60	ZHT24-60
125	ZHT18-30	ZHT24-60	ZHT24-60	ZHT24-60
150	ZHT18-30	ZHT24-60	ZHT50-90	ZHT50-90
175	ZHT24-60	ZHT24-60	ZHT50F	ZHT50F
200	ZHT24-60	ZHT24-60	ZHT50F	ZHT50F
250	ZHT24-60	ZHT50-90	ZHT50F	ZHT80
300	ZHT50-90	ZHT50F	ZHT50F	ZHT80
350	ZHT50F	ZHT50F	ZHT80	ZHT105
400	ZHT50F	ZHT80	ZHT80	ZHT105
500	ZHT80	ZHT105	ZHT105	ZHT150



**North American Headquarters**  
**Zilmet USA**  
 400 Frenchtown Road  
 East Greenwich, RI 02818  
 Tel. 401.884.4943  
 info@zilmetusa.com  
 www.zilmetusa.com

**Headquarters**  
 Via del Santo, 242 - 35010 Limena (PD) - Italy  
 Tel. +39 049 7664901  
 Fax +39 049 767321  
 www.zilmet.it  
 zilmet@zilmet.it

**Production plants - Italy**  
 Limena (PD) Via del Santo, 242  
 Via Visco, 2 • Via Colpi, 30  
 Via Tamburin, 15/17  
 Bagnoli di Sopra (PD) - Via V Strada, 21/23

**Branches**  
 Zilmet Deutschland GmbH  
 www.zilmet.de  
 Zilmet USA  
 www.zilmetusa.com  
 Zilmet UK  
 www.zilmet.co.uk