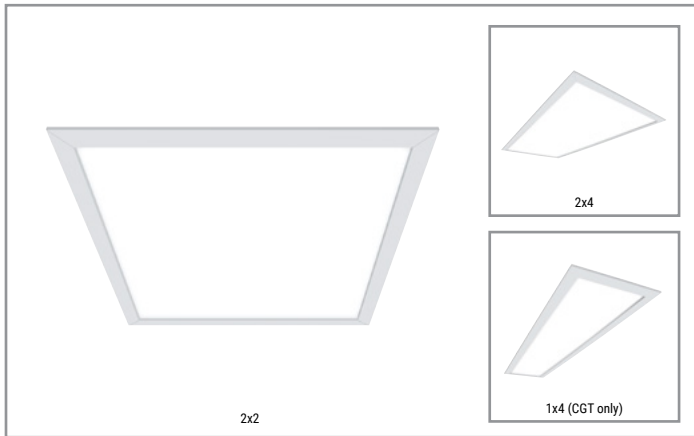


Project		Catalog #		Type	
Prepared by		Notes		Date	



## Metalux

**CGT** Static-2x4/2x2/1x4

**CGTS** Selectable Lumens and CCT-2x4/2x2

LED Backlit Panel

### Typical Applications

Offices • Education • Healthcare • Retail

### Interactive Menu

- Order Information page 2
- Photometric Data page 4
- Product Warranty

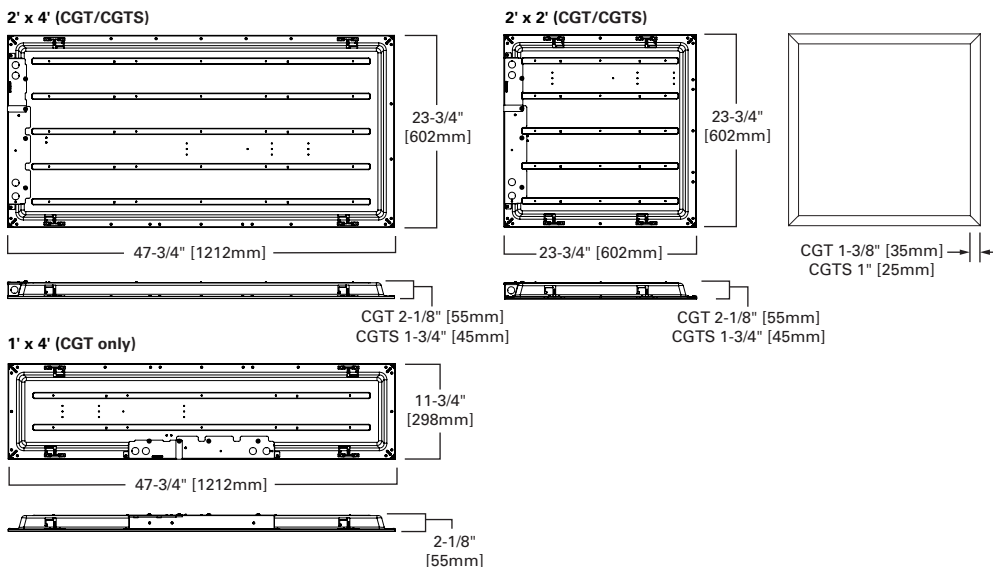
### Product Certification



### Top Product Features

- CGT/CGTS steel housing is post-painted to increase efficacy, facilitate installation, and inhibit corrosion
- CGT/CGTS acrylic micro-optics provide uniform illumination across the entire lens
- CGT/CGTS extruded aluminum door frame tightly seals to the housing for optimal performance and aesthetics. Minimum fixture height ideal for shallow plenum.
- CGTS has three color temperature and three lumen package choices for use in a variety of applications
- CGTS selectable switches located on the top of the junction box, for quick and easy adjustment

## CGT and CGTS Dimensions



See page 4 for Junction Box details for CGT, CGTS

[additional product diagrams](#)

## CGT Ordering Information/Performance

### CGT UNV (120-277)

Catalog	Size	UPC	CCT	CRI (Min)	Delivered Nominal Lumens	Watts		Efficacy (lm/W)	
						120V	277V	120V	277V
14CGT4035C	1x4	080083879526	3500K	80	4189	39.4	38.8	106	108
14CGT4040C		080083879540	4000K	80	4351			110	112
14CGT4050C		080083879861	5000K	80	4351			110	112
22CGT3535C	2x2	080083880003	3500K	80	3449	31.4	31.7	110	109
22CGT3540C		080083880027	4000K	80	3582			114	113
22CGT3550C		080083880041	5000K	80	3582			114	113
24CGT4535C	2x4	080083880089	3500K	80	4268	38.8	38	110	112
24CGT4540C		080083880102	4000K	80	4432			114	117
24CGT4550C		080083880126	5000K	80	4432			114	117
24CGT5535C		080083880164	3500K	80	5139	46.8	46.4	110	111
24CGT5540C		080083880188	4000K	80	5337			114	115
24CGT5550C		080083880201	5000K	80	5337			114	115

\* All SKUs stocked in North American DC's.

### CGT 347V

Catalog	Size	UPC	CCT	CRI (Min)	Delivered Nominal Lumens	Watts	Efficacy (lm/W)
14CGT4035C-347	1x4	80083880249	3500K	80	4190	39.9	105
14CGT4040C-347		80083880263	4000K	80	4351		109
14CGT4050C-347		80083880287	5000K	80	4351		109
22CGT3535C-347	2x2	80083880409	3500K	80	3449	32.6	106
22CGT3540C-347		80083880423	4000K	80	3582		110
22CGT3550C-347		80083880454	5000K	80	3582		110
24CGT4535C-347	2x4	80083880492	3500K	80	4268	37.9	113
24CGT4540C-347		80083880515	4000K	80	4432		117
24CGT4550C-347		80083880539	5000K	80	4432		117
24CGT5535C-347		80083880577	3500K	80	5139	46.7	110
24CGT5540C-347		80083880591	4000K	80	5337		114
24CGT5550C-347		80083880614	5000K	80	5337		114

\* All SKU's stocked at Canada DC(s).

### CGT Options

Catalog	Description	Example	Notes
EL7W	7W EM Pack, Installed	22CGT3540-EL7W	Remote Indicator/Test Switch
EL14W	14W EM Pack, Installed	14CGT4040C-EL14W	Remote Indicator/Test Switch
A3/8-4/18GDIM	6' Length, 3/8" Cable, 2 Wire, 2 Dimming Leads, Ground	24CGT4535C-A3/8-4/18G DIM	
EL7W-A3/8-5/18GDIM	7W EM Pack, Installed, and 6' Flex, 3/8" Cable, 3 Wire, 2 Dimming Leads, Ground	24CGT4550C-EL14W-A3/8-5/18GDIM 22CGT3535C-EL7W-A3/8-5/18GDIM	EL7W and EL14W can be used with any of the optional flex. EM pack is always specified before (to the left of) the flex, in the catalog number.

### CGT Shipping Data

	1x4	2x2	2x4
Product Weight (lb.)	7.3	6.8	11.9
Packaged Weight (lb.)	8.4	8.4	14.5
Pallet Qty	54	72	36
Pallet Size	52x40	52x49	

### CGT Load Data

THD	<15% THD
PF	>.94 PF



## CGTS Ordering Information/Performance

Size	Catalog	UPC	Lumen Setting	CCT	CRI (Min)	Delivered Nominal Lumens	Watts	Efficacy (lm/W)
2x2	22CGTS-L3C3	080083194728	Low	3500K	80	2720	22.0	124
				4000K	80	2826	21.3	133
				5000K	80	2770	21.9	127
			Medium	3500K	80	3681	30.2	122
				4000K	80	3890	28.9	135
				5000K	80	3748	30.1	125
			High	3500K	80	4700	40.6	116
				4000K	80	5063	38.5	132
				5000K	80	4808	40.5	119
2x4	24CGTS-L3C3	080083194704	Low	3500K	80	3600	27.8	130
				4000K	80	3710	27.1	137
				5000K	80	3651	27.8	131
			Medium	3500K	80	5016	39.7	126
				4000K	80	5241	38.5	136
				5000K	80	5081	39.7	128
			High	3500K	80	6426	52.8	122
				4000K	80	6918	50.7	136
				5000K	80	6648	52.8	126

### CGTS Shipping Data

	2x2	2x4
Weight (lb.)	8.3	14.5
Pallet Qty	40	20
Pallet Size	30x53	

### CGTS Load Data

Size	Watts	120V		277V	
		THD	PF	THD	PF
2x4	Low	5%	0.99	11%	0.91
2x4	High	5%	0.99	9%	0.96
2x2	Low	5%	0.99	22%	0.87
2x2	High	4%	0.99	11%	0.95

### CGTS Options

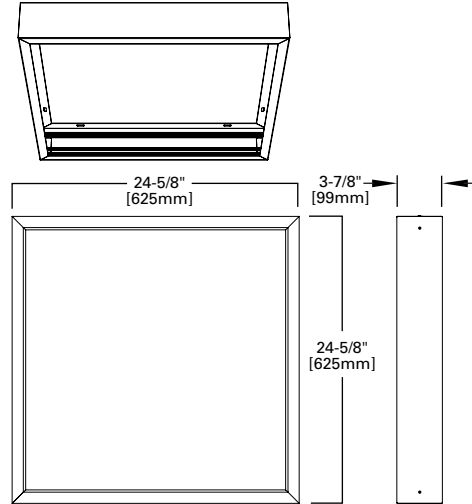
Catalog	Description	Example	Notes
EL7W	7W EM Pack, Installed	22CGTS-L3C3-EL7W	Remote Indicator/Test Switch
EL14W	14W EM Pack, Installed	24CGTS-L3C3-EL14W	Remote Indicator/Test Switch
A3/8-4/18GDIM	6' Length, 3/8" Cable, 2 Wire, 2 Dimming Leads, Ground	24CGTS-L3C3-A3/8-4/18G DIM	
EL7W-A3/8-5/18GDIM	7W EM Pack, Installed, and 6' Flex, 3/8" Cable, 3 Wire, 2 Dimming Leads, Ground	24CGTS-L3C3-EL14W-A3/8-5/18GDIM 22CGTS-L3C3-EL7W-A3/8-4/18GDIM	EL7W and EL14W can be used with any of the optional flex. EM pack is always specified before (to the left of) the flex, in the catalog number.

## CGT and CGTS Accessories

### Surface Mounting Options

Catalog No.	Description	UPC
CGTSURF24	2x4 CGT Surface Mount Kit	080083083107
CGTSURF22	2x2 CGT Surface Mount Kit	080083083121
CGTSURF14*	1x4 CGT Surface Mount Kit	080083083145

**Note:** Cannot be used with EL7W or EL14W options.  
\* CGT only. CGTS available in 2x2, 2x4 only.



### Drywall Frame Kit

Catalog No.	Description	UPC
DF-24W-U	2x4 dry wall frame kit	662401232970
DF-22W-U	2x2 dry wall frame kit	662401232963
DF-14W-U*	1x4 dry wall frame kit	662401232949

**Note:** \* CGT only. CGTS available in 2x2, 2x4 only.

### Suspension Kit

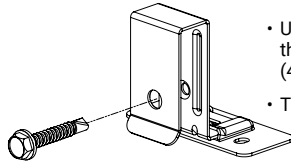
Catalog	UPC	Description
FPSUS2	080083802784	2 point Y-hanger suspension kit includes aircraft cable, carabiner, ceiling connection, SO cord, cord connectors and round 4" J-box cover plate

Mounting height from ceiling  
**Min.**=7-1/4" [184mm]  
**Max.**=27" [286mm]

### Ceiling Retention (CGT only)

Catalog	UPC
CGTEQ	080083083084

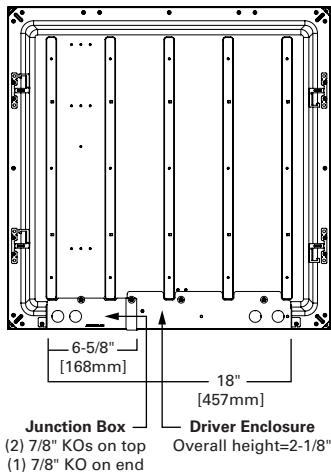
Required by some local codes. Order one set for each fixture (Four clips per kit)



- Using CGT EQ requires the removal of four (4) existing fixture grid clips and then replacing them with the above 4" CGT EQ clips. Once the fixture is mounted in the grid ceiling, the four (4) tek-screws are driven through the CGT EQ clip, into the T-bar.
- The CGTS standard four (4) clips serve as grid clips or EQ clips.

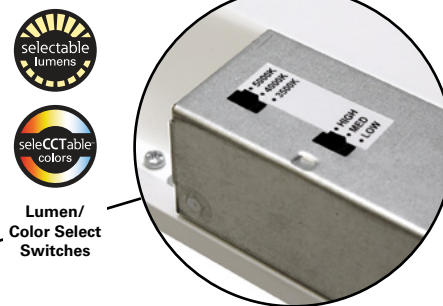
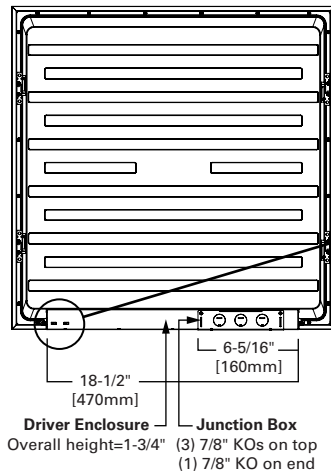
### CGT Driver Enclosure Junction Box

Top View (2' x 2')



### CGTS Driver Enclosure Junction Box

Top View (2' x 2')



# CGT and CGTS Product Specifications

### Construction

- Die-formed steel back plate is post-painted to ensure durability
- Housing is constructed absent of holes
- CGT aluminum door frame miter cut, and mechanically fastened for a precision fit. CGTS aluminum door frame weld and ground, for a seamless appearance

### Mounting

- CGT and CGTS integral grid clips secure fixture to the ceiling structure
- Accessory CGT EQ clips available to mechanically fasten the clips to the fixture, and the fixture to the ceiling system
- Junction box constructed of code gauge galvanized steel with access plate
- Multiple 7/8" KO's provided, suitable for up to 12AWG wiring
- Surface and suspension kits available for use in grid or hard surfaces
- Factory installed flexible cable with dimming leads available

### Controls

- Standard UNV 120 - 277V driver with 0-10V dimming, 10% standard
- Can be used with tile mounted sensor or other remote mount controls
- Selectable driver for three color temperature choices and three lumen package choices (CGTS only)

### Electrical

- CGT projected lumen maintenance based on TM21 testing standards is >L84 @60,000 hours
- CGTS projected lumen maintenance based on TM21 testing standards is >L82@60,000 hours
- Driver rated for FCC part 15 Class B for use in residential or commercial applications
- LEDs are 80 CRI (minimum) and available in 3500K, 4000K, and 5000K CCT (CGT). For CGTS, LEDs switch to 3500K, 4000K, or 5000K.
- Emergency battery pack options available in 7W and 14W

### Optical Shielding

- Acrylic micro-optics enable uniform distribution of LEDs for uniform lens illumination

- Smooth, frosted lens delivers uniform illumination across the entire lens
- Durable lens with surface texture to minimize scratch and impact damage
- cULus listed for 25C ambient environments, indoor applications
- IC rated for direct insulation contact
- UL damp location listed
- IESNA LM-79 and LM-80 standards compliant
- Design Lights Consortium (registered mark) qualified and classified for DLC standard. Refer to [www.designlights.org](http://www.designlights.org) for details. Refer to QPL (qualified products list) to ensure exact catalog number is listed
- Qualifies as State of California Title 24 high efficiency luminaire
- FCC part 15 class B (residential) compliant

### Warranty

- Five year standard warranty
- Extended ten year warranty available

## CGT and CGTS Photometric Data

 View IES files

