

Product availability: Stock - Normally stocked in distribution facility



Main

Range of product	Square D Pumptrol
Pressure sensor name	9013FS
Pressure sensor size	448.16 kPa (65 psi) 34.47...310.26 kPa (5...45 psi))
Value of setting	20...40 psi
Electrical circuit type	Power circuit
Product specific application	Control electrically driven water pumps
Quantity per set	1
Type of packing	Individual

Complementary

Pressure sensor type	Electromechanical pressure switch
Controlled fluid	Fresh water -30...125 °C (-22...257 °F))
Adjustable range on rising pressure	137.90...448.16 kPa (20...65 psi)
Approximate adjustable differential	103.42...206.84 kPa (15...30 psi)
Destruction pressure	1516.85 kPa (220 psi)
Pressure actuator	Diaphragm
Pressure switch type of operation	Regulation between 2 thresholds
Scale type	Adjustable differential
Setting	Internal
Local display	Without
Contacts type and composition	2 NC, snap action, DPST-DB, Form YY
Cable entry number	2 22.35 mm (0.88 in) cable entries with 0.84 in across flats UL 508
Electrical connection	Screw-clamp terminals 10 AWG Screw-clamp terminals 5.261 mm ²
Fluid connection type	0.25 inch NPSF internal UL 508
Short-circuit protection	20 A cartridge fuse gG
Materials in contact with fluid	Zinc plated steel or equivalent flange Nitrile (Buna-N) or equivalent rubber diaphragm
Material	Polypropylene cover Noryl thermoplastic resin or equivalent cover
Operating position	Any position
Motor power kW	1.5 KW 2 hp)230 V AC, 1 phase 1.1 KW 1.5 hp)115 V AC, 1 phase 1.5 KW 2 hp)115 V AC, 3 phase 2.2 KW 3 hp)230 V AC, 3 phase 0.75 KW 1 hp)460 V AC, 3 phase 0.75 kW 1 hp)575 V AC, 3 phase
Electrical durability	100000 cycles 10 cyc/mn
Mechanical durability	300000 cycles
Terminal block type	4 terminals
Maximum operating rate	10 cyc/mn
[Ui] rated insulation voltage	575 V UL 508
Product weight	0.45 kg (1 lb(US))
Repeat accuracy	+/- 3 %
Terminals description ISO n°1	L2-T2 L1-T1

Width	70.61 mm (2.78 in)
Height	71.12 mm (2.8 in)
Depth	95.50 mm (3.76 in)
Factory modification	-

Environment

Standards	CE UL 508 NSF ANSI 61 Annex G
Ambient air temperature for operation	-36...125 °C (-33...257 °F)
Ambient air temperature for storage	-36...125 °C (-33...257 °F)
Protective treatment	None
NEMA degree of protection	NEMA 1 UL 50
IP degree of protection	IP20 IEC 60529
Product certifications	CSA file LR25490 UL listed file E12158

Ordering and shipping details

Category	21534 - 9013 FSG,FYG (INDIVIDUAL - CP7I)
Discount Schedule	CP7I
GTIN	00785901559245
Package weight(Lbs)	0.39 kg (0.85 lb(US))
Returnability	Yes
Country of origin	MX

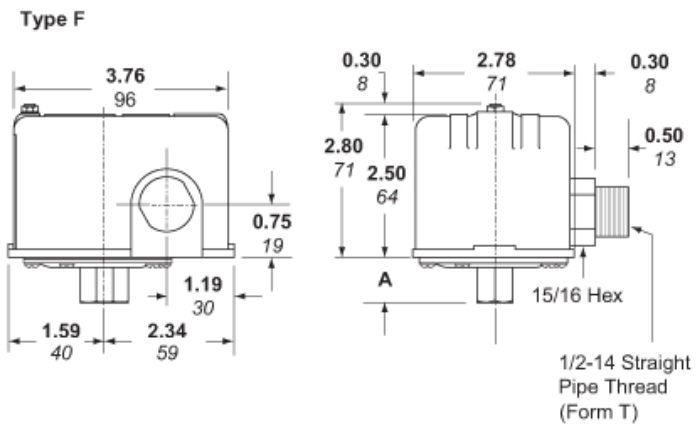
Offer Sustainability

Sustainable offer status	Green Premium product
California proposition 65	WARNING: This product can expose you to chemicals including: Di-isodecyl phthalate (DIDP) and Diisononyl phthalate (DINP) which is known to the State of California to cause Carcinogen and Reproductive harm. For more information go to www.p65warnings.ca.gov
REACH Regulation	REACH Declaration
EU RoHS Directive	Pro-active compliance (Product out of EU RoHS legal scope) EU RoHS Declaration
Mercury free	Yes
RoHS exemption information	Yes
Environmental Disclosure	Product Environmental Profile
Circularity Profile	End Of Life Information

Contractual warranty

Warranty	18 months
----------	-----------

Approximate Dimensions



Switch Type	A Dimension		in. mm
	in.	mm	
FSG1, FYG1	1-1/32	26	
FHG2, 12, 22, 32, 42, 52, FRG2, FSG2, FYG2	29/32	23	
FHG3, 13, 33, FRG3, FSG3, FYG3	1-9/32	33	
FHG9, 19, 29, 39, 49, 59, FSG9, FYG9	1-3/32	28	