

ProLED Direct Fit Slim Downlight Series

- Five Selectable Color Temperatures
- 90+ CRI for Superior Color Rendering
- Triac Dimming to 10%
- Recessed Baffle Trims
- UL Listed for Wet Locations

Specifications

Description

The ProLED Select Direct Fit Slim Downlight Series provides an ultra-slim solution for shallow plenum spaces in both new construction and retrofit downlighting applications. This product features five selectable color temperatures, 90+ CRI and a low glare output to provide a high performing and simple solution for any lighting project.

Performance

- Selectable color temperatures 2700K, 3000K, 3500K, 4500K, 5000K
- High efficacy <96LPW
- High CRI 90+
- L70 lumen maintenance > 50,000 hours
- Dimmable to 10% on compatible dimmers
- 120VAC Input
- 5 Year limited warranty

Certifications

- ETL listed
- Energy Star certified
- IC rated
- Wet location
- Title 20 compliant
- JA-8 compliant

DATE: _____ LOCATION: _____
TYPE: _____ PROJECT: _____
CATALOG #: _____



ProLED Direct Fit Slim Downlight Series

Ordering Logic

Series	Product Size	Wattage	CCT	Pack Quantity
DFDLS = Direct Fit Slim Downlight	3 = 3 Inch 4 = 4 Inch 5 = 5 Inch 6 = 6 Inch 8 = 8 Inch	8 = 8W 10 = 10W 12 = 12W 15 = 15W 18 = 18W	CS = Color Selectable 2700K/3000K/3500K/ 4000K/5000K	BT = Baffle Trim

Ordering Information

Product SKU	Product Code	Product Description
89150	DFDLS3-8-CS-BT	ProLED Select Direct Fit Slim Downlight 3" 8W 500lm Color Selectable Baffle Trim
89107	DFDLS4-10-CS-BT	ProLED Select Direct Fit Slim Downlight 4" 10W 650lm CCT Selectable Baffle Trim
89151	DFDLS5-12-CS-BT	ProLED Select Direct Fit Slim Downlight 5" 12W 800lm Color Selectable Baffle Trim
89108	DFDLS6-12-CS-BT	ProLED Select Direct Fit Slim Downlight 6" 12W 900lm CCT Selectable Baffle Trim
89109	DFDLS6-15-CS-BT	ProLED Select Direct Fit Slim Downlight 6" 15W 1100lm CCT Selectable Baffle Trim
89110	DFDLS8-18-CS-BT	ProLED Select Direct Fit Slim Downlight 8" 18W 1500lm CCT Selectable Baffle Trim
Accessories		
89156	DFDLS3-RT-RD-BT-BK	ProLED Select Direct Fit Slim Downlight 3" Round Replaceable Baffle Trim Black
89111	DFDLS4-RT-RD-RC-BK	ProLED Select Direct Fit Slim Downlight 4" Round Replaceable Recessed Trim Black
89157	DFDLS5-RT-RD-BT-BK	ProLED Select Direct Fit Slim Downlight 5" Round Replaceable Baffle Trim Black
89112	DFDLS6-RT-RD-RC-BK	ProLED Select Direct Fit Slim Downlight 6" Round Replaceable Recessed Trim Black
89113	DFDLS8-RT-RD-RC-BK	ProLED Select Direct Fit Slim Downlight 8" Round Replaceable Recessed Trim Black
89160	DFDLS3-RT-RD-BT-SN	ProLED Select Direct Fit Slim Downlight 3" Round Replaceable Baffle Trim Satin Nickel
89114	DFDLS4-RT-RD-RC-SN	ProLED Select Direct Fit Slim Downlight 4" Round Replaceable Recessed Trim Satin Nickel
89161	DFDLS5-RT-RD-BT-SN	ProLED Select Direct Fit Slim Downlight 5" Round Replaceable Baffle Trim Satin Nickel
89115	DFDLS6-RT-RD-RC-SN	ProLED Select Direct Fit Slim Downlight 6" Round Replaceable Recessed Trim Satin Nickel
89116	DFDLS8-RT-RD-RC-SN	ProLED Select Direct Fit Slim Downlight 8" Round Replaceable Recessed Trim Satin Nickel
89164	DFDLS3-RT-RD-BT-BZ	ProLED Select Direct Fit Slim Downlight 3" Round Replaceable Baffle Trim Bronze
89117	DFDLS4-RT-RD-RC-BZ	ProLED Select Direct Fit Slim Downlight 4" Round Replaceable Recessed Trim Bronze
89165	DFDLS5-RT-RD-BT-BZ	ProLED Select Direct Fit Slim Downlight 5" Round Replaceable Baffle Trim Bronze
89118	DFDLS6-RT-RD-RC-BZ	ProLED Select Direct Fit Slim Downlight 6" Round Replaceable Recessed Trim Bronze
89119	DFDLS8-RT-RD-RC-BZ	ProLED Select Direct Fit Slim Downlight 8" Round Replaceable Recessed Trim Bronze
89129	DFDLS-RP-468-RD	ProLED Select Direct Fit Slim Downlight Adjustable Rough In Pan 4", 6", 8"
89166	FSDLS/RP3RD	ProLED Select Direct Fit Slim Downlight Rough In Pan 3"
89104	FSDLS/RP4RD	ProLED Select Direct Fit Slim Downlight Rough In Pan 4"
89167	FSDLS/RP5RD	ProLED Select Direct Fit Slim Downlight Rough In Pan 5"
89105	FSDLS/RP6RD	ProLED Select Direct Fit Slim Downlight Rough In Pan 6"
89102	FSDLS/EXT12	ProLED Select Direct Fit Slim Downlight Extension Cable 12"

ProLED Direct Fit Slim Downlight Series

Specifications Table

	DFDSL3-8-CS-BT	DFDSL4-10-CS-BT	DFDSL5-12-CS-BT	DFDLS6-12-CS-BT	DFDLS6-15-CS-BT	DFDLS8-18-CS-BT
Nominal Wattage	8W	10W	12W	12W	15W	18W
Delivered Lumens	484lm - 529lm	725lm - 728lm	817lm - 975lm	918lm - 1020lm	1122lm - 1314lm	1619lm - 1741lm
Efficacy (lm/W)	60LPW - 66LPW	72LPW	67LPW - 81LPW	76LPW - 85LPW	74LPW - 87LPW	89LPW - 96LPW
CCT	Selectable - 2700K, 3000K, 3500K, 4000K, 5000K					
CRI	90+					
L70 Lifetime (hrs)	50,000					
Voltage	120VAC					
Power Factor	>0.9					
Dimming	Triac Dimming to 10%					
Housing Material	Aluminum					
Driver Housing Material	Steel					
Operating Temperature	-20°C - '40°C					
Listings	ETL, Energystar, Title 20, Title 24, JA-8					
Environment	UL, Wet Location, IC Rated					
Warranty	5 Years Standard					

Performance Table

Product Code	Selectable Wattage	2700K	3000K	3500K	4000K	5000K
		Lumen Output (lm)	Lumen Output (lm)	Lumen Output (lm)	Lumen Output (lm)	Lumen Output (lm)
DFDSL3-8-CS-BT	8	484	499	521	529	520
DFDSL4-10-CS-BT	10	725	749	774	778	757
DFDSL5-12-CS-BT	12	817	878	939	975	932
DFDLS6-12-CS-BT	12	918	1003	1020	1006	982
DFDLS6-15-CS-BT	15	1122	1168	1215	1263	1314
DFDLS8-18-CS-BT	18	1619	1640	1714	1741	1741

ProLED Direct Fit Slim Downlight Series

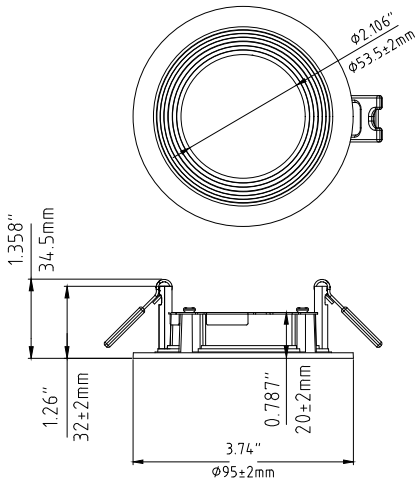
Dimmer Compatibility

Dimmer Compatibility List

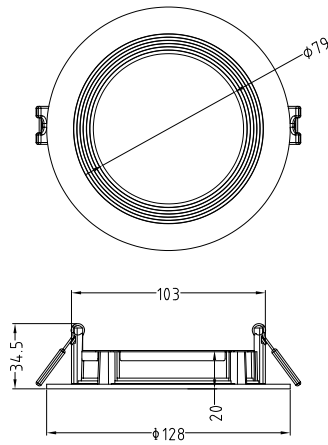
Dimmer Brand	Dimmer Model
LUTRON	MACL-153M, P-PKG1W-WH-R, DVCL-153P, CTCL-153PDH-WH, TGCL-153PH-WH
LEVITON	R12-06672-1LW, R50-IPLO6-10M, R62-066740POW
EATON	SAL06P-LA-K, AAL06-C1

Dimensions

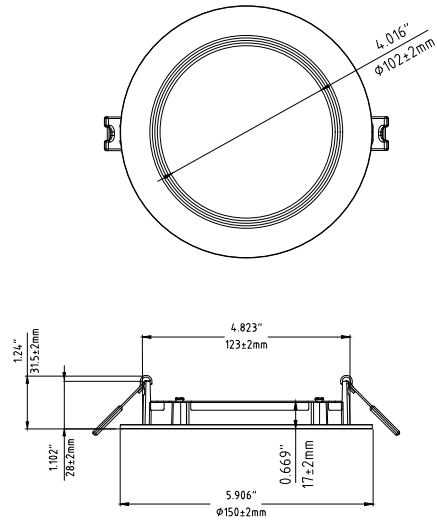
3 Inch-Baffle



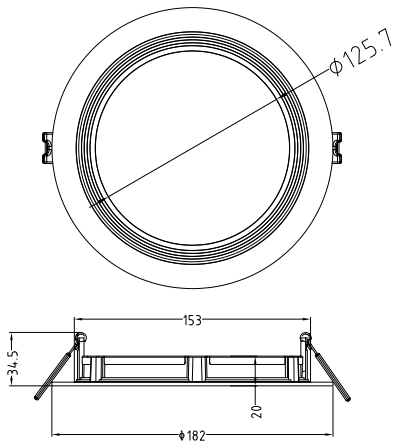
4 Inch-Baffle



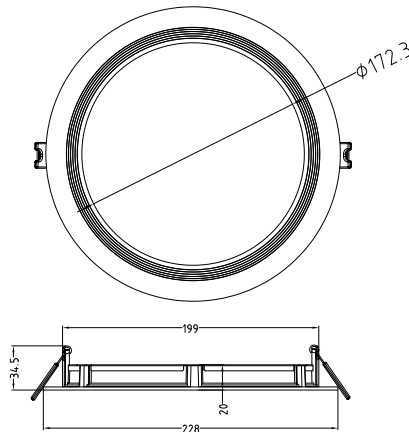
5 Inch-Baffle



6 Inch-Baffle



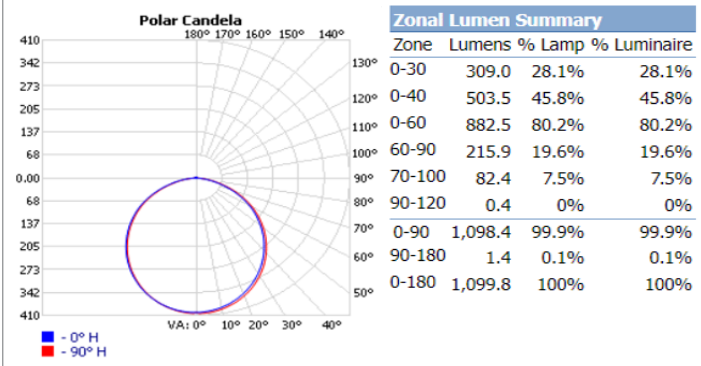
8 Inch-Baffle



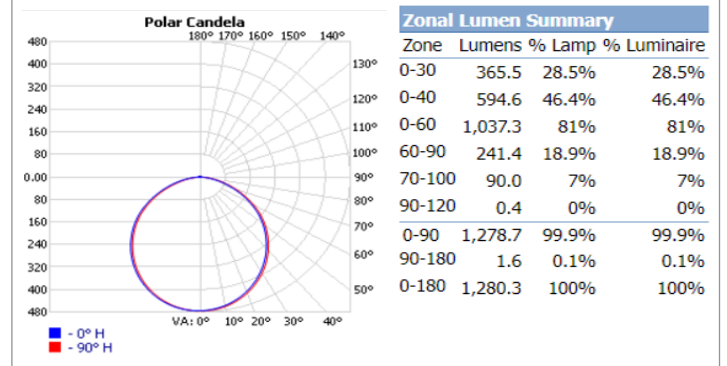
ProLED Direct Fit Slim Downlight Series

Photometrics

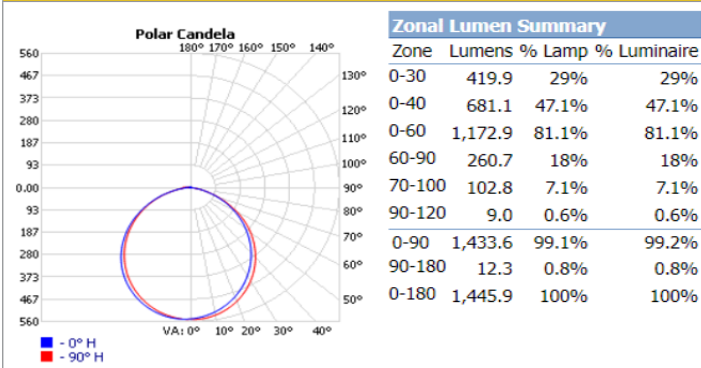
DFDSL3-8-CS-BT Settings: 8W at 2700K



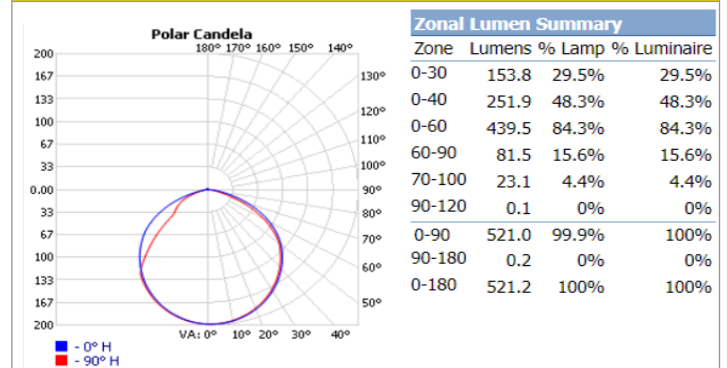
DFDSL4-10-CS-BT Settings: 10W at 2700K



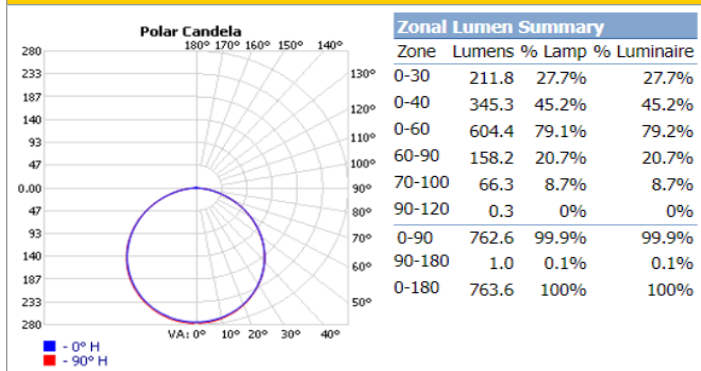
DFDSL5-12-CS-BT Settings: 12W at 2700K



DFDSL6-12-CS-BT Settings: 12W at 2700K



DFDSL6-15-CS-BT Settings: 15W at 2700K



DFDSL8-18-CS-BT Settings: 15W at 2700K

