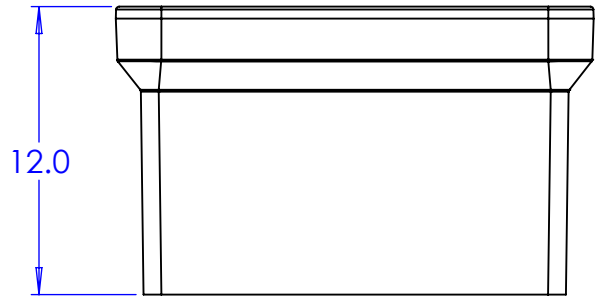
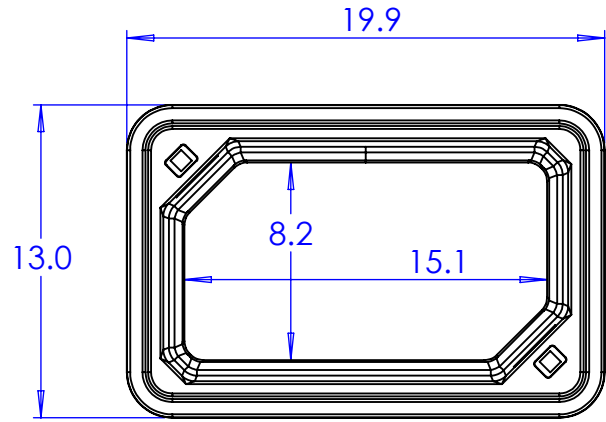


LID	S1118PN	25 LBS
ENCLOSURE	P111812S	44 LBS
ASSEMBLY	A111812P	69 LBS
PALLET QTY	24	

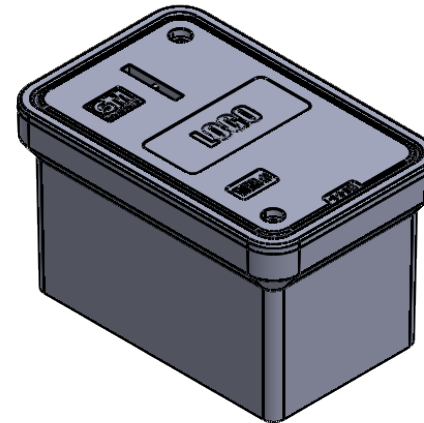
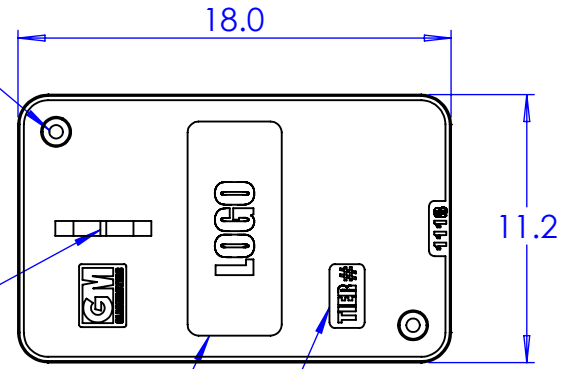


3/8 X 3.0
HEX-HEAD OR
PENTA-HEAD
BOLTS

STAINLESS STEEL
LIFTING PINS

CUSTOMIZEABLE
LOGO

LOAD RATING



GLASMASTERS, INC.
8873 WESTERN WAY, JAX., FL 32256
(904) 400-7100 - (904) 358-1702 FAX
WWW.GLASMASTERS.COM

APPROVED
BMC

DATE
07/09/20

DRAWN
SJA

REV
N/C

TITLE
11X18X12 ASSY, PC BOX
SCALE
1:8
DWG NO
A111812P

SHEET
1
OF 1

THIS DRAWING IS CONFIDENTIAL AND PROPRIETARY AND MAY NOT BE DISTRIBUTED OR REPRODUCED WITHOUT THE EXPRESSED WRITTEN CONSENT OF GLASMASTERS, INC. ALL COPYRIGHT AND PATENT RIGHTS RESERVED. VIOLATORS WILL BE PROSECUTED.