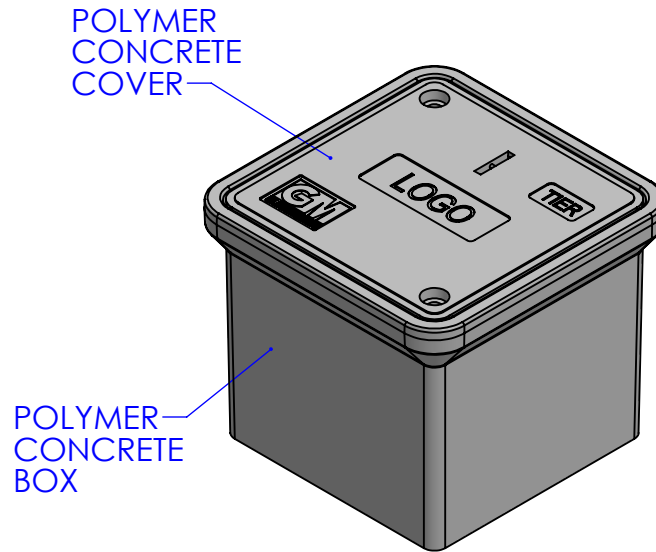
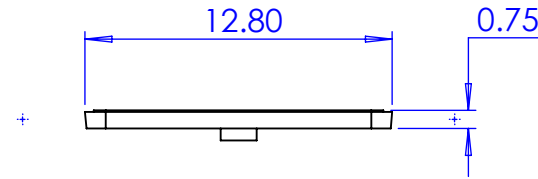
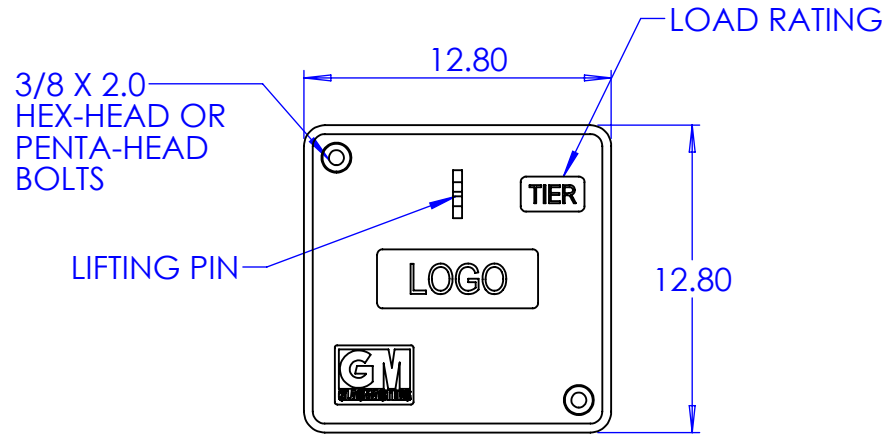
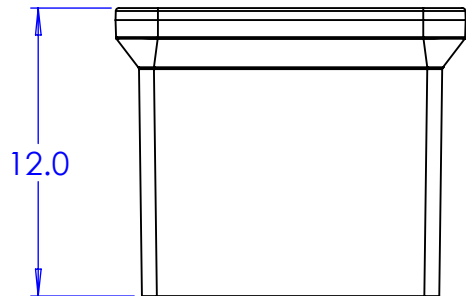
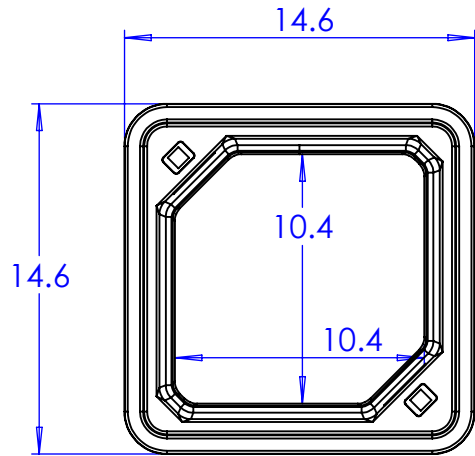


	PART NO	TIER 15	TIER 22
LID	S1212PN	9 LBS	9 LBS
ENCLOSURE	P121212S	38 LBS	38 LBS
ASSEMBLY	A121212P	47 LBS	47 lbs
PALLET QTY	20		



GLASMASTERS, INC.
8873 WESTERN WAY, JAX., FL 32256
(904) 400-7100 - (904) 358-1702 FAX
WWW.GLASMASTERS.COM

DRAWN SJA
DATE 9/18/21
APPROVED BMC

REV N/C

TITLE 12x12x12 ASSY, PC BOX
SCALE 1:8
DWG NO A121212P

SHEET 1 OF 1