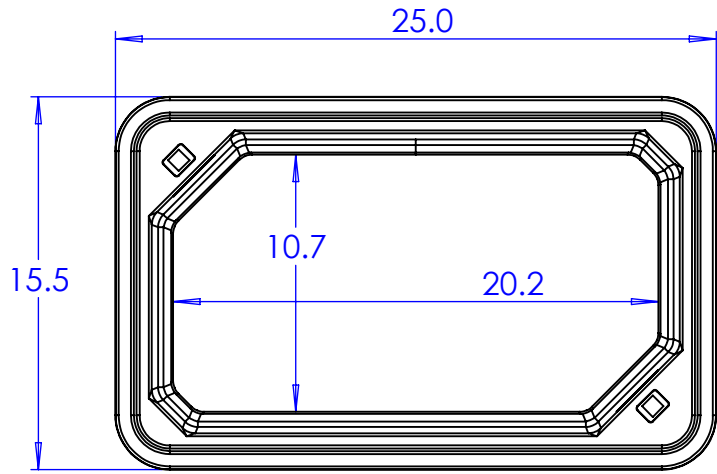
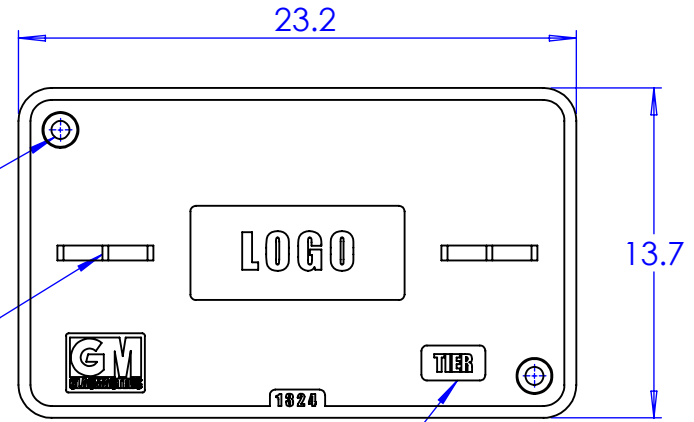


LID	S1324PN	36 LBS
ENCLOSURE	P132418S	71 LBS
ASSEMBLY	A132418P	107 LBS
PALLET QTY	12	

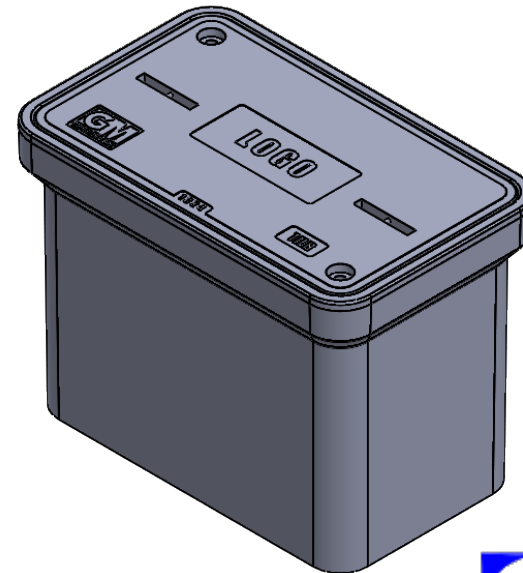
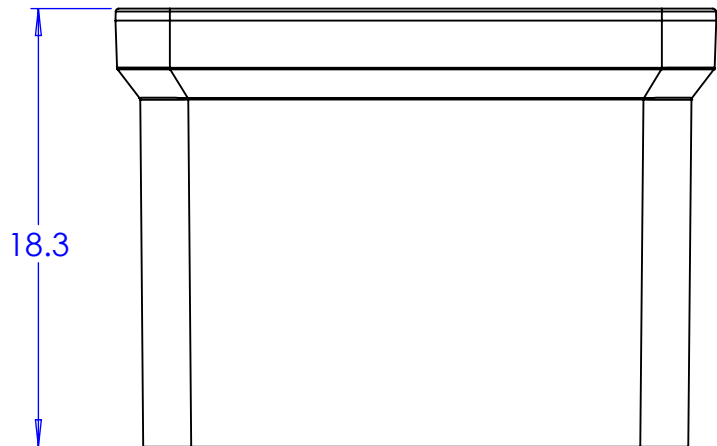
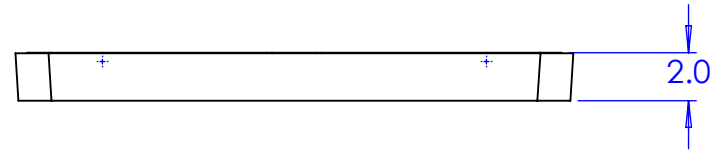


HEX-HEAD OR PENTA-HEAD BOLTS

STAINLESS STEEL LIFTING PINS



LOAD RATING



THIS DRAWING IS CONFIDENTIAL AND PROPRIETARY AND MAY NOT BE DISTRIBUTED OR REPRODUCED WITHOUT THE EXPRESSED WRITTEN CONSENT OF GLASMASTERS, INC. ALL COPYRIGHT AND PATENT RIGHTS RESERVED. VIOLATORS WILL BE PROSECUTED.

GLASMASTERS, INC.
 8873 WESTERN WAY, JAX., FL 32256
 (904) 400-7100 - (904) 358-1702 FAX
 WWW.GLASMASTERS.COM

SHEET 1 OF 1	TITLE 13X24X18 ASSY, PC BOX	DRAWN SJA	DATE 05/09/20	APPROVED BMC
	SCALE 1:8	REV N/C	FILE	
	DWG NO A132418P			