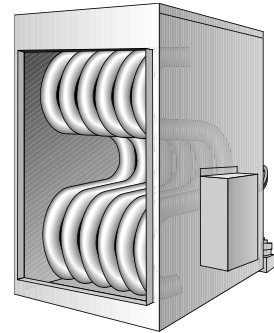
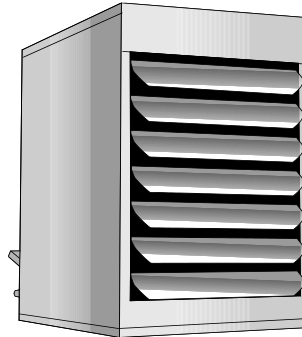
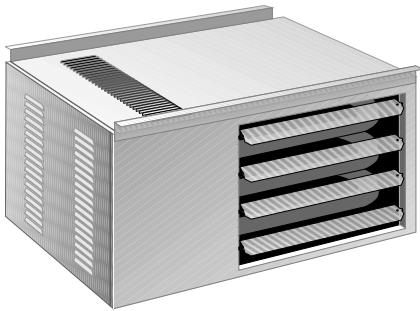


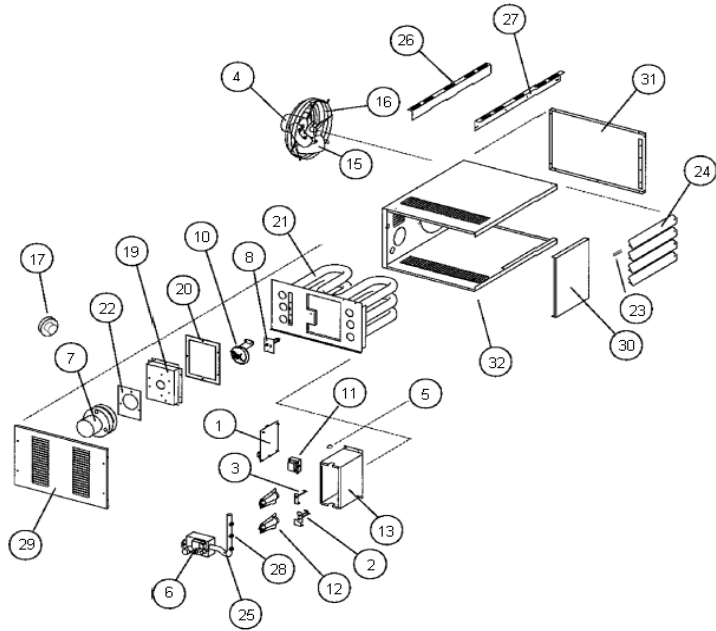
Unit Heater

Accessories & Replacement Parts



Contents	Page
CUH Unit Heater	2
FSA Unit Heater	4
SEP Unit Heater	
SEP 60 – 145	6
SEP 175 – 290	10
SEP 300 – 400	14
HED Duct Furnace	
HED 75 – 150	18
HED 200 – 300	20
FOA Unit Heater	22
Venting	
FOA Venting Guidelines	26
SEP, HED, FSA Venting Guidelines	27
Venting Components (General)	28
Venting Kit Diagrams	29
Fuel Conversion Kits – LP and NG	30
HEP Heat Exchangers	31

CUH



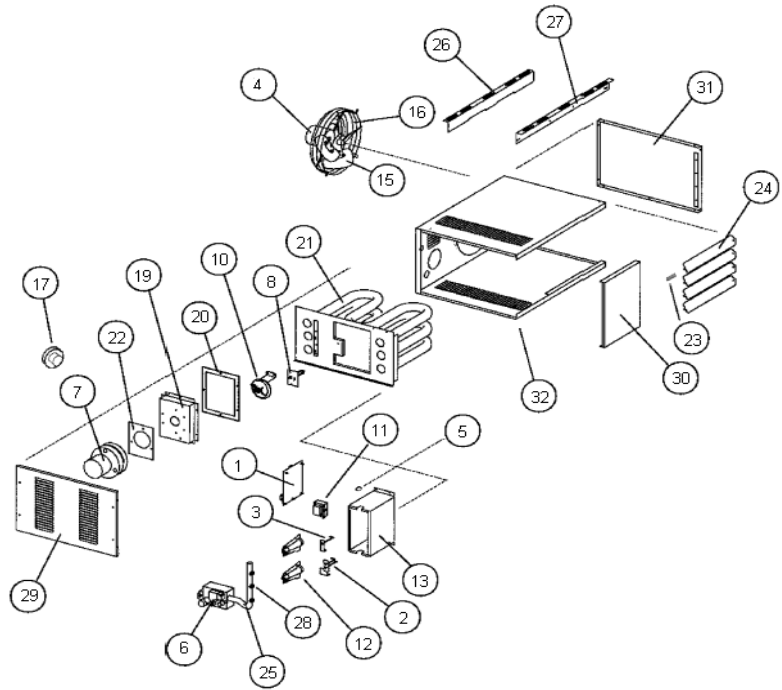
CUH UNIT HEATER

DRAWING NUMBER	DESCRIPTION	PART NUMBER	CUH30		CUH45		CUH60		CUH75		
			1	2	3	4	5	1	2	1	2
1	CONTROL BOARD	76777500 76722700	X		X		X		X		X
2	ELECTRODE/SPARK IGNITOR	76738700 76714900	X		X		X		X		X
3	ELECTRODE/FLAME SENSOR	76738800 76715000	X		X		X		X		X
4	FAN MOTOR (BLOWER MOTOR)	76791000 76700242	X		X		X		X		X
5	FLAME ROLLOUT SWITCH	76740200 76739900			X				2		2
6	GAS VALVE (LP)	76717500	X		X		X		X		X
6	GAS VALVE (NAT)	76714600	X		X		X		X		X
Not Shown	IGNITION LEAD (CABLE)	76715100	X		X		X		X		X
7	INDUCED DRAFT MOTOR ASSEMBLY (includes motor, housing, & blower wheel)	76739200	X		X		X		X		X
8	LIMIT SWITCH	76739700	X		X		X		X		X
10	PRESSURE SWITCH	76777300 76777400	X		X		X		X		X
11	TRANSFORMER	76715500	X		X		X		X		X
12	BURNER	76739500	2		3		4		5		
13	BURNER BOX	76773700 76773800	X		X		X		X		X

CUH UNIT HEATER

DRAWING NUMBER	DESCRIPTION	PART NUMBER	CUH30					CUH45					CUH60		CUH75	
			1	2	3	4	5	1	2	3	4	5	1	2	1	2
15	FAN BLADE	76739100						X								
		76739600		X												
		76740000										X				
		76712000													X	
16	FAN GUARD	76739000		X				X								
		76740100									X			X		
17	FLUE ADAPTER	76737800									X		X			
		76735000		X				X								
19	FLUE BOX	76740400		X				X								
		76741200									X					
		76741900												X		
20	FLUE BOX GASKET	76739300		X				X								
		76740300									X		X			
21	HEAT EXCHANGER	76700314		X												
		76781500						X								
		76784000									X					
		76768700												X		
22	INDUCED DRAFT GASKET	76708800		X				X			X		X			
		76713500		4					4		6		6			
24	LOUVER VANE (BEIGE)	76741100		4					4		6		6			
		76773900		X*		X										
25	MANIFOLD * For these models, you also need to order tapered thread orifices. (All new manifolds have tapered threads and will not fit with older orifices having straight threads)	76774000						X*		X						
		76774100									X*	X				
		76774200												X*	X	
		76750900		X					X		X		X		X	
27	MOUNTING BRACKET, FRONT	76750800		X				X			X		X			
		76717200		2					3		4		5			
28	ORIFICE (LP)	76724000				2				3		4		5		
		76712200		2				3		4		5				
28	ORIFICE (NAT)	76723700				2				3		4		5		
		76750500		X				X								
29	PANEL, ACCESS	76758900									X		X			
		76750700		X				X								
30	PANEL, FRONT	76758800									X		X			
		76750600		X				X								
31	PANEL, SIDE	76758100									X		X			
		76750400		X				X								
32	WRAPPER, CABINET	76758700									X		X			

FSA



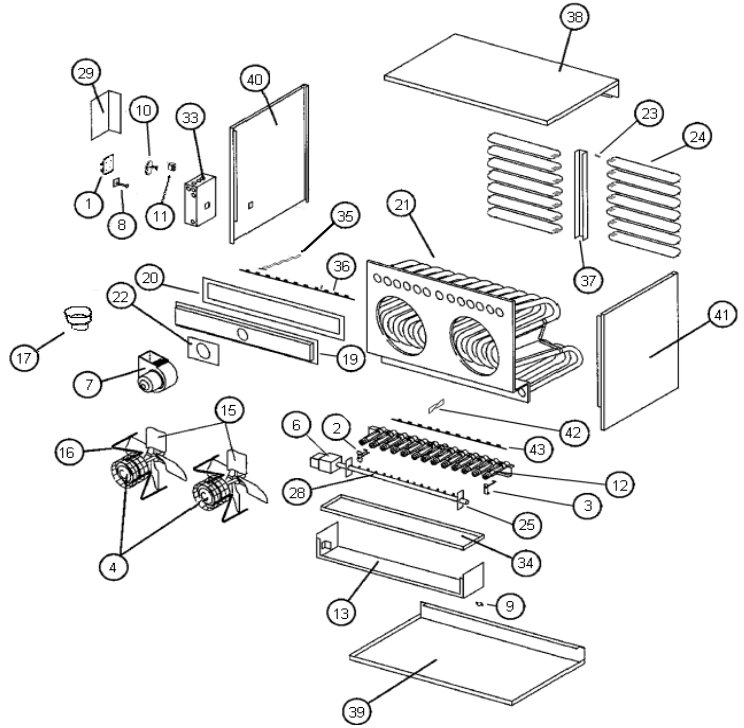
FSA UNIT HEATER

DRAWING NUMBER	DESCRIPTION	PART NUMBER	FSA30	FSA45	FSA60	FSA75
1	CONTROL BOARD	76722700			X	
2	ELECTRODE/SPARK IGNITER	76714900			X	
3	ELECTRODE/FLAME SENSOR	76715000			X	
4	FAN MOTOR (BLOWER MOTOR)	76791000	X	X		
		76700242			X	X
5	FLAME ROLLOUT SWITCH	76740200			2	2
		76739900	X	X		
6	GAS VALVE (LP)	76717500			X	
6	GAS VALVE (NAT)	76714600			X	
Not Shown	IGNITION LEAD	76715100			X	
7	INDUCED DRAFT MOTOR ASSEMBLY (includes motor, housing, & blower wheel)	76739200			X	
8	LIMIT SWITCH	76739700			X	
10	PRESSURE SWITCH	76777300				X
		76777400	X	X	X	
11	TRANSFORMER	76715500			X	
12	BURNER	76739500	2	3	4	5
13	BURNER BOX	76773700	X	X		
		76773800			X	X

FSA UNIT HEATER

DRAWING NUMBER	DESCRIPTION	PART NUMBER	FSA30	FSA45	FSA60	FSA75
15	FAN BLADE	76739100		X		
		76739600	X			
		76740000			X	
		76712000				X
16	FAN GUARD	76739000	X	X		
		76740100			X	X
17	FLUE ADAPTER	76737800			X	X
		76735000	X	X		
19	FLUE BOX	76740400	X	X		
		76741200			X	
		76741900				X
20	FLUE BOX GASKET	76739300	X	X		
		76740300			X	X
21	HEAT EXCHANGER	76700314	X			
		76781500		X		
		76784000			X	
		76768700				X
22	INDUCED DRAFT GASKET	76708800	X	X	X	X
23	LOUVER SPRING	76713500	4	4	6	6
24	LOUVER VANE (BEIGE)	76741100	4	4	6	6
25	MANIFOLD	76773900	X			
		76774000		X		
		76774100			X	
		76774200				X
26	MOUNTING BRACKET, BACK	76750900			X	
27	MOUNTING BRACKET, FRONT	76750800			X	
28	ORIFICE (LP)	76724000	2	3	4	5
28	ORIFICE (NAT)	76723700	2	3	4	5
29	PANEL, ACCESS	76740500	X	X		
		76758900			X	X
30	PANEL, FRONT	76750700	X	X		
		76758800			X	X
31	PANEL, SIDE	76750600	X	X		
		76758100			X	X
32	WRAPPER, CABINET	76750400	X	X		
		76758700			X	X
Not Shown	FLAME SENSOR WIRE	76738500			X	

SEP



SEP UNIT HEATER

SEP 60 - 145

DRAWING NUMBER	DESCRIPTION	PART NUMBER	SEP 60					SEP 90					SEP 100					SEP 115					SEP 145				
			1	2	3	4	5	1	2	3	4	5	1	2	3	4	5	1	2	3	4	5	1	2	3	4	5
	ALUMINIZED STEEL HEAT EXCHANGER		1	2	3	4	5	1	2	3	4	5						1	2	3	4	5	1	2	3	4	5
	STAINLESS STEEL HEAT EXCHANGER				0	1				0	1									0	1				0	1	
1	CONTROL BOARD																										
		100000240			X					X										X					X		
		76777500				X					X										X					X	
		76722700					X					X			X						X					X	
2	ELECTRODE/SPARK IGNITER																										
		76714900			X					X					X				X					X			
3	ELECTRODE/FLAME SENSOR																										
		76715000			X					X					X				X					X			
4	FAN MOTOR (BLOWER MOTOR)																										
		76714500			X					X					X				X					X			
6	GAS VALVE (LP)																										
		76717500			X					X					X				X					X			
		76717600																									
6	GAS VALVE (NAT)																										
		76714600			X					X					X				X					X			
		76714800																									
7	INDUCED DRAFT MOTOR ASSEMBLY (includes motor, housing, & blower wheel)																										
		76746100			X					X					X				X					X			
		76714300																									
		76738400																									
		76714200				X					X				X				X					X			
8	LIMIT SWITCH																										
		76716600																									
		76716400			X					X					X				X					X			
		76716700																									
		76716500																									
9	AUXILIARY LIMIT																										
		76717100																									

SEP UNIT HEATER

SEP 60 - 145

DRAWING NUMBER	DESCRIPTION	PART NUMBER	SEP 60					SEP 90					SEP 100	SEP 115					SEP 145				
			1	2	3	4	5	1	2	3	4	5		1	2	3	4	5	1	2	3	4	5
	ALUMINIZED STEEL HEAT EXCHANGER		1	2	3	4	5	1	2	3	4	5		1	2	3	4	5	1	2	3	4	5
	STAINLESS STEEL HEAT EXCHANGER					0	1				0	1					0	1				0	1
10	PRESSURE SWITCH																						
		76776900																					
		76777000																					
		76777100							X					X						X			
		76777200																				X	
		76777300			X					X				X						X			
11	TRANSFORMER																						
		76715500		X					X					X						X			
12	BURNER																						
		76711200		4					6														
		76711300												4						4			
15	FAN BLADE																						
		76710700		X					X														
		76776400												X						X			
16	FAN MOTOR MOUNT / GUARD																						
		76711000		X					X														
		76711100												X						X			
17	FLUE ADAPTER																						
		76708400		X																			
		76708500							X					X						X			
		76708600																					
		76708700																					
19	FLUE BOX																						
		76709100	X						X														
		76709000		X																			
		76718900							X														
		76709200													X								
		76719100																	X				
		76709300																			X		
		76721300																					
		76709400																					
		76709500																					
		76736600																					
		76709600																					
		76736700																					
		76709700																					
		76709800																					
		76709900																					
20	FLUE BOX GASKET																						
		76710000		X					X														
		76710100												X						X			
		76710200																					
		76710300																					
22	INDUCED DRAFT MOTOR GASKET																						
		76708800		X					X					X						X			
		76708900																					

SEP UNIT HEATER

SEP 60 - 145

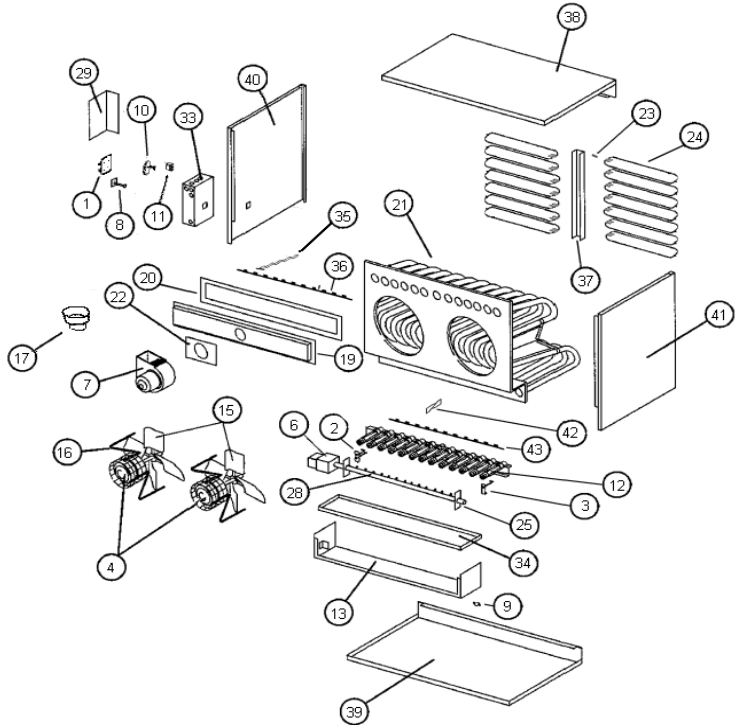
DRAWING NUMBER	DESCRIPTION	PART NUMBER	SEP 60					SEP 90					SEP 100	SEP 115					SEP 145					
			1	2	3	4	5	1	2	3	4	5		1	2	3	4	5	1	2	3	4	5	
	ALUMINIZED STEEL HEAT EXCHANGER																							
	STAINLESS STEEL HEAT EXCHANGER				0	1				0	1					0	1				0	1		
21	HEAT EXCHANGER (ALUMINIZED)																							
		76707300			X					n/a														
		76707400											X			X								
		76707500																						
		76707600																				X		
		76707700																						
		76707800																						
		76707900																						
		76708000																						
21	HEAT EXCHANGER (STAINLESS)																							
		76711400			X																			
		76711500								n/a														
		76711600											X			X								
		76711700																				X		
		76708100																						
		76708200																						
		76711900																						
		76708300																						
23	LOUVER SPRING																							
		76713500			7					7			7			7						7		
24	LOUVER VANE, BEIGE																							
		76713100			7					7														
		76713200											7			7						7		
		76713300																						
		76713400																						
25	MANIFOLD																							
	* For these models, you also need to order tapered thread orifices. (All new manifolds have tapered threads and will not fit with older orifices having straight threads).	76724800			X *	X																		
		76724700								X *	X													
		76724400												X			X *	X						
		76724500																					X *	X
		76724600																						
		76724100																						
		76724200																						
		76724300																						
28	ORIFICE (NAT)																							
	Straight thread	76712300														4						5		
	Tapered thread	76723000																4					5	
	Straight thread	76712200			4					6														
	Tapered thread	76723700				4						6												
	Straight thread	76712400																						
	Tapered thread	76723400											4											
	Tapered thread	76723600																						
28	ORIFICE (LP)																							
	Straight thread	76717200			4					6														
	Tapered thread	76724000				4						6												
	Tapered thread	76723500											4											
	Straight thread	76717300														4						5		
	Tapered thread	76723100																4					5	
	Straight thread	76717400																						
	Tapered thread	76723300																						

SEP UNIT HEATER

SEP 60 - 145

DRAWING NUMBER	DESCRIPTION	PART NUMBER	SEP 60					SEP 90					SEP 100	SEP 115					SEP 145				
			1	2	3	4	5	1	2	3	4	5		1	2	3	4	5	1	2	3	4	5
	ALUMINIZED STEEL HEAT EXCHANGER		1	2	3	4	5	1	2	3	4	5		1	2	3	4	5	1	2	3	4	5
	STAINLESS STEEL HEAT EXCHANGER				0	1				0	1					0	1				0	1	
29	CONTROL BOX COVER	76712600		X					X				X		X					X			
33	CONTROL BOX	76712500		X					X				X		X					X			
34	DRIP SHIELD	76712700		X					X														
		76712800											X		X							X	
		76712900																					
		76713000																					
35	FLUE BAFFLE	76710400											4		4						5		
36	FLUE BAFFLE BRACKET	76710500											X		X						X		
		76710600																					
37	LOUVER BRACKET	76714100																					
38	PANEL, TOP	76701000				X																	
		76700900											X			X							
		76701100																					
		76700800																					
39	PANEL, BOTTOM	76701500				X																	
		76701300											X		X						X		
		76701400																					
		76701200																					
40	PANEL, LEFT SIDE (viewed from rear)	76701900		X					X														
		76702100											X		X						X		
		76702000																					
41	PANEL, RIGHT SIDE (viewed from rear)	76701600		X					X														
		76701800											X		X						X		
		76701700																					
42	TURBULATOR FOR NOX	76717800											4		4						5		
43	TURBULATOR RETAINER	76717900											X		X						X		
Not Shown	FAN TIMER	100002477	X					X						X				X					
Not Shown	GAS PRESSURE SWITCH	76717700		X					X				X		X						X		
Not Shown	IGNITION WIRE	100000546	X					X						X				X					
		76715100		X					X				X		X						X		
		76715200																					
Not Shown	FLAME SENSOR WIRE	100000547	X					X						X				X					
		100000548																					
		76738500			X					X	X					X						X	
		76738600																					
Not Shown	WIRING HARNESS	76716900		X					X						X						X		
		76722900			X					X	X					X						X	
		76717000																					
		76722800																					

SEP



SEP UNIT HEATER

SEP 175 - 290

DRAWING NUMBER	DESCRIPTION	PART NUMBER	SEP 175					SEP 200			SEP 230					SEP 250		SEP 290				
			1	2	3	4	5	1	2	3	1	2	3	4	5			1	2	3	4	5
	ALUMINIZED STEEL HEAT EXCHANGER		1	2	3	4	5	1	2	3	1	2	3	4	5			1	2	3	4	5
	STAINLESS STEEL HEAT EXCHANGER					0	1	1	2	3				0	1						0	1
1	CONTROL BOARD																					
		10000240		X							X							X				
		76777500			X			X				X								X		
		76722700					X			X				X	X							X
2	ELECTRODE/SPARK IGNITER																					
		76714900			X			X			X			X	X							X
3	ELECTRODE/FLAME SENSOR																					
		76715000			X			X			X			X	X							X
4	FAN MOTOR (BLOWER MOTOR)																					
		76714500			X			X			2			2	2							2
6	GAS VALVE (LP)																					
		76717500			X			X														
		76717600									X			X	X							X
6	GAS VALVE (NAT)																					
		76714600			X			X														
		76714800									X			X	X							X
7	INDUCED DRAFT MOTOR ASSEMBLY (includes motor, housing, & blower wheel)																					
		76746100																				
		76714300			X			X			X			X	X							X
		76738400																				
		76714200																				
8	LIMIT SWITCH																					
		76716600									X											X
		76716400						X														
		76716700	X							X						X	X					
		76716500			X																	
9	AUXILIARY LIMIT																					
		76717100									X			X	X							X

SEP UNIT HEATER

SEP 175 - 290

DRAWING NUMBER	DESCRIPTION	PART NUMBER	SEP 175					SEP 200			SEP 230					SEP 250	SEP 290				
			1	2	3	4	5	1	2	3	1	2	3	4	5		1	2	3	4	5
	ALUMINIZED STEEL HEAT EXCHANGER		1	2	3	4	5	1	2	3	1	2	3	4	5		1	2	3	4	5
	STAINLESS STEEL HEAT EXCHANGER					0	1	1	2	3				0	1					0	1
10	PRESSURE SWITCH																				
		76776900			X				X				X							X	
		76777000														X					
		76777100																			
		76777200																			
		76777300																			
11	TRANSFORMER																				
		76715500			X				X				X			X				X	
12	BURNER																				
		76711200																			
		76711300			6				6				8			10				10	
15	FAN BLADE																				
		76710700																			
		76776400			X				X				X			X				X	
16	FAN MOTOR MOUNT / GUARD																				
		76711000																			
		76711100			X				X				2			2				2	
17	FLUE ADAPTER																				
		76708400																			
		76708500																			
		76708600			X				X				X			X				X	
		76708700																			
19	FLUE BOX																				
		76709100																			
		76709000																			
		76718900																			
		76709200																			
		76719100																			
		76709300																			
		76721300		X																	
		76709400			X																
		76709500							X												
		76736600										X				X					
		76709600											X								
		76736700															X				
		76709700																		X	
		76709800																			
		76709900																			
20	FLUE BOX GASKET																				
		76710000																			
		76710100																			
		76710200			X				X												
		76710300											X			X				X	
22	INDUCED DRAFT MOTOR GASKET																				
		76708800																			
		76708900			X				X				X			X				X	

SEP UNIT HEATER

SEP 175 - 290

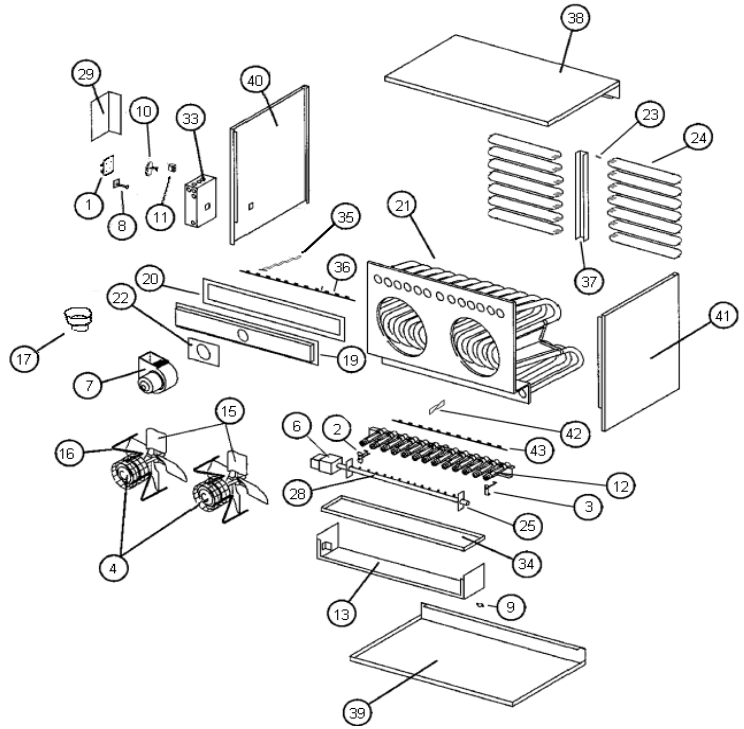
DRAWING NUMBER	DESCRIPTION	PART NUMBER	SEP 175					SEP 200			SEP 230					SEP 250	SEP 290				
			1	2	3	4	5	1	2	3	1	2	3	4	5		1	2	3	4	5
	ALUMINIZED STEEL HEAT EXCHANGER																				
	STAINLESS STEEL HEAT EXCHANGER				0	1	1	2	3				0	1					0	1	
21	HEAT EXCHANGER (ALUMINIZED)																				
		76707300																			
		76707400																			
		76707500																			
		76707600																			
		76707700			X			X													
		76707800											X								
		76707900													X	X					
		76708000																			
21	HEAT EXCHANGER (STAINLESS)																				
		76711400																			
		76711500																			
		76711600																			
		76711700																			
		76708100						X													
		76708200											X								
		76711900													X						X
		76708300																			
23	LOUVER SPRING																				
		76713500				7		7					14	14							14
24	LOUVER VANE, BEIGE																				
		76713100																			
		76713200																			
		76713300				7		7													
		76713400											14	14							14
25	MANIFOLD																				
	* For these models, you also need to order tapered thread orifices. (All new manifolds have tapered threads and will not fit with older orifices having straight threads).	76724800																			
		76724700																			
		76724400																			
		76724500																			
		76724600			X *		X		X *	X											
		76724100												X *	X						
		76724200														X				X *	
		76724300																			
28	ORIFICE (NAT)																				
	Straight thread	76712300			6								8						10		
	Tapered thread	76723000				6								8							10
	Straight thread	76712200																			
	Tapered thread	76723700																			
	Straight thread	76712400						6													
	Tapered thread	76723400													10						
	Tapered thread	76723600							6												
28	ORIFICE (LP)																				
	Straight thread	76717200																			
	Tapered thread	76724000																			
	Tapered thread	76723500													10						
	Straight thread	76717300			6								8						10		
	Tapered thread	76723100				6								8							10
	Straight thread	76717400						6													
	Tapered thread	76723300							6												

SEP UNIT HEATER

SEP 175 - 290

DRAWING NUMBER	DESCRIPTION	PART NUMBER	SEP 175					SEP 200			SEP 230					SEP 250		SEP 290				
			1	2	3	4	5	1	2	3	1	2	3	4	5			1	2	3	4	5
	ALUMINIZED STEEL HEAT EXCHANGER		1	2	3	4	5	1	2	3	1	2	3	4	5			1	2	3	4	5
	STAINLESS STEEL HEAT EXCHANGER					0	1	1	2	3				0	1						0	1
29	CONTROL BOX COVER	76712600		X				X			X			X		X		X				
33	CONTROL BOX	76712500		X				X			X			X		X		X				
34	DRIP SHIELD	76712700																				
		76712800																				
		76712900		X				X														
		76713000									X			X		X		X				
35	FLUE BAFFLE	76710400			6			6					8		10						10	
36	FLUE BAFFLE BRACKET	76710500																				
		76710600		X				X					2		2						2	
37	LOUVER BRACKET	76714100											X		X		X				X	
38	PANEL, TOP	76701000																				
		76700900																				
		76701100			X																	
		76700800									X			X		X		X				
39	PANEL, BOTTOM	76701500																				
		76701300																				
		76701400		X				X														
		76701200									X			X		X		X				
40	PANEL, LEFT SIDE (viewed from rear)	76701900																				
		76702100		X				X														
		76702000									X			X		X		X				
41	PANEL, RIGHT SIDE (viewed from rear)	76701600																				
		76701800		X				X														
		76701700									X			X		X		X				
42	TURBULATOR FOR NOX	76717800			6			6					8		10						10	
43	TURBULATOR RETAINER	76717900		X				X					2		2						2	
Not Shown	FAN TIMER	100002477	X								X					X		X				
Not Shown	GAS PRESSURE SWITCH	76717700		X																		
Not Shown	IGNITION WIRE	100000546	X								X							X				
		76715100			X			X														
		76715200											X		X						X	
Not Shown	FLAME SENSOR WIRE	100000547	X																			
		100000548									X							X				
		76738500				X		X														
		76738600												X	X							X
Not Shown	WIRING HARNESS	76716900			X			X														
		76722900				X		X		X												
		76717000											X								X	
		76722800												X	X							X

SEP



SEP UNIT HEATER

SEP 300 - 400

DRAWING NUMBER	DESCRIPTION	PART NUMBER	SEP 300	SEP 345						SEP 400			
				1	2	3	4	5	6	1	2	3	4
	ALUMINIZED STEEL HEAT EXCHANGER			1	2	3	4	5	6	1	2	3	4
	STAINLESS STEEL HEAT EXCHANGER							0	1	1	2	3	4
1	CONTROL BOARD												
		100000240			X								
		76777500					X				X		
		76722700	X						X				X
2	ELECTRODE/SPARK IGNITER												
		76714900	X				X						X
3	ELECTRODE/FLAME SENSOR												
		76715000	X				X						X
4	FAN MOTOR (BLOWER MOTOR)												
		76714500	2				2						2
6	GAS VALVE (LP)												
		76717500											
		76717600	X				X						X
6	GAS VALVE (NAT)												
		76714600											
		76714800	X				X						X
7	INDUCED DRAFT MOTOR ASSEMBLY (includes motor, housing, & blower wheel)												
		76746100											
		76714300	X										
		76738400					X						X
		76714200											
8	LIMIT SWITCH												
		76716600					X						
		76716400											
		76716700	X										X
		76716500											
9	AUXILIARY LIMIT												
		76717100	X				X						X

SEP UNIT HEATER

SEP 300 - 400

DRAWING NUMBER	DESCRIPTION	PART NUMBER	SEP 300	SEP 345						SEP 400				
				1	2	3	4	5	6	1	2	3	4	
	ALUMINIZED STEEL HEAT EXCHANGER													
	STAINLESS STEEL HEAT EXCHANGER							0	1	1	2	3	4	
10	PRESSURE SWITCH													
		76776900	X				X							
		76777000										X		
		76777100												
		76777200												
		76777300												
11	TRANSFORMER													
		76715500	X				X					X		
12	BURNER													
		76711200												
		76711300	12				12					12		
15	FAN BLADE													
		76710700												
		76776400	X				X					X		
16	FAN MOTOR MOUNT / GUARD													
		76711000												
		76711100	2				2					2		
17	FLUE ADAPTER													
		76708400												
		76708500												
		76708600	X	X										
		76708700					X					X		
19	FLUE BOX													
		76709100												
		76709000												
		76718900												
		76709200												
		76719100												
		76709300												
		76721300												
		76709400												
		76709500												
		76736600												
		76709600												
		76736700												
		76709700	X											
		76709800					X							
		76709900										X		
20	FLUE BOX GASKET													
		76710000												
		76710100												
		76710200												
		76710300	X				X					X		
22	INDUCED DRAFT MOTOR GASKET													
		76708800												
		76708900	X				X					X		

SEP UNIT HEATER

SEP 300 - 400

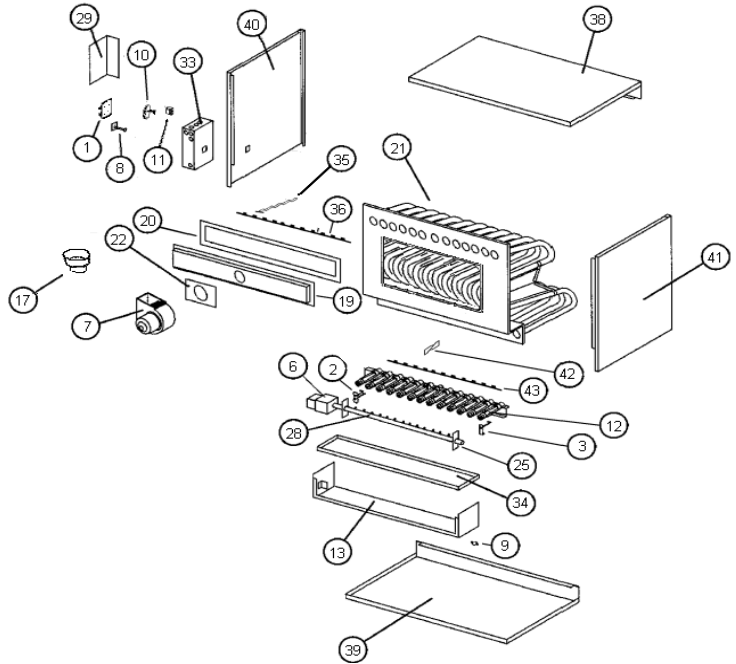
DRAWING NUMBER	DESCRIPTION	PART NUMBER	SEP 300	SEP 345						SEP 400				
				1	2	3	4	5	6	1	2	3	4	
	ALUMINIZED STEEL HEAT EXCHANGER													
	STAINLESS STEEL HEAT EXCHANGER							0	1	1	2	3	4	
21	HEAT EXCHANGER (ALUMINIZED)													
		76707300												
		76707400												
		76707500												
		76707600												
		76707700												
		76707800												
		76707900												
		76708000	X			X					X			
21	HEAT EXCHANGER (STAINLESS)													
		76711400												
		76711500												
		76711600												
		76711700												
		76708100												
		76708200												
		76711900												
		76708300	X						X		X			
23	LOUVER SPRING													
		76713500	14						14				14	
24	LOUVER VANE, BEIGE													
		76713100												
		76713200												
		76713300												
		76713400	14						14				14	
25	MANIFOLD													
	* For these models, you also need to order tapered thread orifices. (All new manifolds have tapered threads and will not fit with older orifices having straight threads).	76724800												
		76724700												
		76724400												
		76724500												
		76724600												
		76724100												
		76724200												
		76724300	X			X *			X		X *		X	
28	ORIFICE (NAT)													
	Straight thread	76712300				12								
	Tapered thread	76723000							12					
	Straight thread	76712200												
	Tapered thread	76723700												
	Straight thread	76712400									12			
	Tapered thread	76723400	12											
	Tapered thread	76723600											12	
28	ORIFICE (LP)													
	Straight thread	76717200												
	Tapered thread	76724000												
	Tapered thread	76723500	12											
	Straight thread	76717300				12								
	Tapered thread	76723100							12					
	Straight thread	76717400									12			
	Tapered thread	76723300											12	

SEP UNIT HEATER

SEP 300 - 400

DRAWING NUMBER	DESCRIPTION	PART NUMBER	SEP 300	SEP 345						SEP 400				
				1	2	3	4	5	6	1	2	3	4	
	ALUMINIZED STEEL HEAT EXCHANGER													
	STAINLESS STEEL HEAT EXCHANGER							0	1	1	2	3	4	
29	CONTROL BOX COVER	76712600	X				X					X		
33	CONTROL BOX	76712500	X				X					X		
34	DRIP SHIELD	76712700												
		76712800												
		76712900												
		76713000	X				X					X		
35	FLUE BAFFLE	76710400	12				12					12		
36	FLUE BAFFLE BRACKET	76710500												
		76710600	X				X					X		
37	LOUVER BRACKET	76714100	X				X					X		
38	PANEL, TOP	76701000												
		76700900												
		76701100												
		76700800	X				X					X		
39	PANEL, BOTTOM	76701500												
		76701300												
		76701400												
		76701200	X				X					X		
40	PANEL, LEFT SIDE (viewed from rear)	76701900												
		76702100												
		76702000	X				X					X		
41	PANEL, RIGHT SIDE (viewed from rear)	76701600												
		76701800												
		76701700	X				X					X		
42	TURBULATOR FOR NOX	76717800	12				12					12		
43	TURBULATOR RETAINER	76717900	2				2					2		
Not Shown	FAN TIMER	100002477			X									
Not Shown	GAS PRESSURE SWITCH	76717700												
Not Shown	IGNITION WIRE	100000546			X									
		76715100												
		76715200	X				X					X		
Not Shown	FLAME SENSOR WIRE	100000547												
		100000548			X									
		76738500												
		76738600	X						X					X
Not Shown	WIRING HARNESS	76716900												
		76722900												
		76717000					X					X		
		76722800	X						X					X

HED



HED DUCT FURNACE

HED 75 - 150

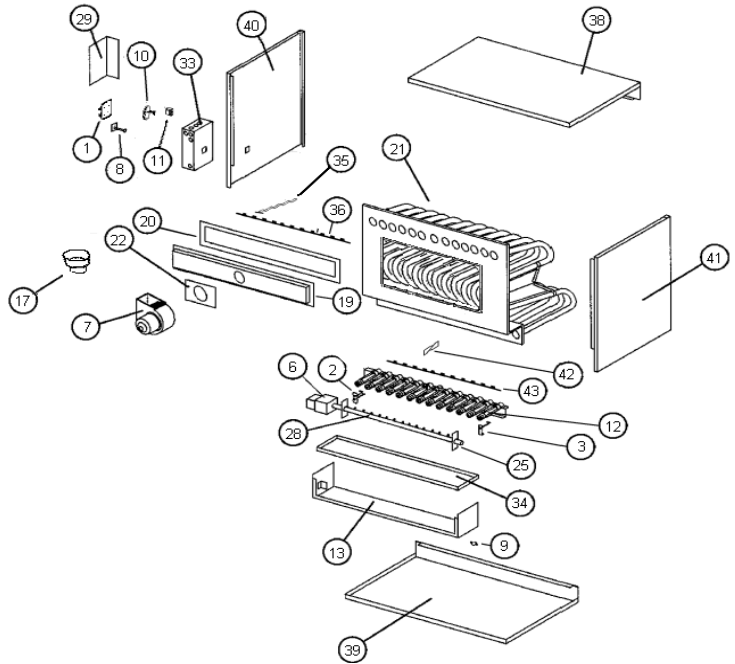
DRAWING NUMBER	DESCRIPTION	PART NUMBER	HED75			HED100			HED125			HED150		
			1	2	3	1	2	3	1	2	3	1	2	3
1	CONTROL BOARD													
		10000240	X			X			X			X		
		76777500		X			X			X			X	
		76722700			X			X			X			X
2	ELECTRODE/SPARK IGNITER													
		76714900		X			X			X			X	
3	ELECTRODE/FLAME SENSOR													
		76715000		X			X			X			X	
6	GAS VALVE (NAT)													
		76714600		X			X			X			X	
		76714800												
7	INDUCED DRAFT MOTOR ASSEMBLY (includes motor, housing, & blower wheel)													
		76746100		X			X			X			X	
		76714300												
8	LIMIT SWITCH													
		76716600		X										
		76716400												
		76716700												
		76716500					X			X			X	
9	AUXILIARY LIMIT													
		76717100												
10	PRESSURE SWITCH													
		76777100		X										
		76722500					X						X	
		76722600								X				
		76776900												
11	TRANSFORMER													
		76715500		X			X			X			X	
12	BURNER													
		76711300					4			5			6	
		76711200		6										
17	FLUE ADAPTER													
		76708500		X			X			X			X	
		76708600												
19	FLUE BOX													
		76718900					X							
		76712100		X										
		76718800								X				
		76721400												
		76721500												
		76719100											X	
		76721300												

HED DUCT FURNACE

HED 75 - 150

DRAWING NUMBER	DESCRIPTION	PART NUMBER	HED75			HED100			HED125			HED150		
			1	2	3	1	2	3	1	2	3	1	2	3
20	FLUE BOX GASKET													
		76710000		X										
		76710100					X			X				
		76710200											X	
		76710300												
21	HEAT EXCHANGER (ALUM)													
		76719700		X										
		76719800					X							
		76719900								X				
		76720000											X	
		76720100												
		76720200												
		76720300												
21	HEAT EXCHANGER (STAINLESS)													
		76720400		X										
		76720500					X							
		76720600								X				
		76720700											X	
		76720800												
		76720900												
		76721000												
22	INDUCED DRAFT GASKET													
		76708800		X			X			X			X	
		76708900												
25	MANIFOLD													
	* For these models, you also need to order tapered thread orifices. (All new manifolds have tapered threads and will not fit with older orifices having straight threads).	76724700		X *	X									
		76724400					X *	X						
		76724500								X *	X			
		76724600											X *	X
		76724100												
		76724200												
		76724300												
28	ORIFICE (NAT)													
	Straight thread	76719400		6										
	Tapered thread	76723900			6									
	Straight thread	76719500					4			5			6	
	Tapered thread	76723400						4			5			6
29	CONTROL BOX COVER													
		76712600		X			X			X			X	
33	CONTROL BOX													
		76712500		X			X			X			X	
38	PANEL, TOP													
		76701000		X										
		76700900					X			X				
		76701100											X	
		76700800												
39	PANEL, BOTTOM													
		76701500		X										
		76701300					X			X				
		76701400											X	
		76701200												
40	PANEL, LEFT SIDE (as viewed from rear)													
		76701900		X										
		76702100					X			X			X	
		76702000												
41	PANEL, RIGHT SIDE (as viewed from rear)													
		76701600		X										
		76701800					X			X			X	
		76701700												
Not Shown	FAN TIMER													
		100002477		X			X			X			X	
Not Shown	IGNITION WIRE													
		100000546		X			X			X			X	
		76715100			X			X			X			X
		76715200												
Not Shown	FLAME SENSOR WIRE													
		100000547		X			X			X			X	
		100000548												
		76738500			X			X			X			X
		76738600												

HED



HED DUCT FURNACE

HED 200 - 300

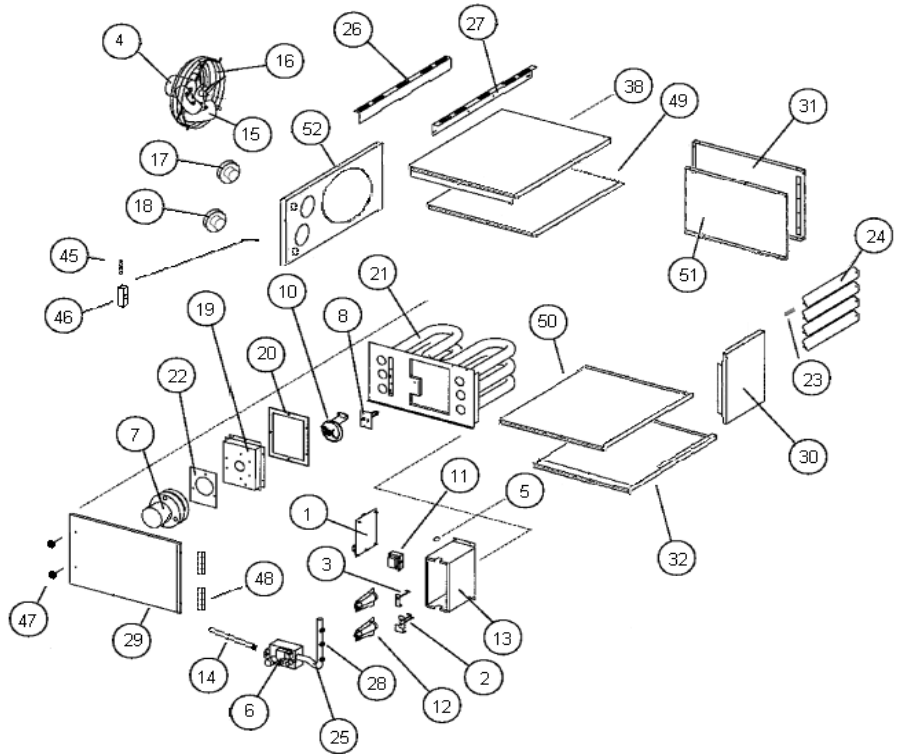
DRAWING NUMBER	DESCRIPTION	PART NUMBER	HED200			HED250			HED300		
			1	2	3	1	2	3	1	2	3
1	CONTROL BOARD										
		10000240	X			X			X		
		76777500		X			X			X	
		76722700			X			X			X
2	ELECTRODE/SPARK IGNITER										
		76714900		X			X			X	
3	ELECTRODE/FLAME SENSOR										
		76715000		X			X			X	
6	GAS VALVE (NAT)										
		76714600									
		76714800		X			X			X	
7	INDUCED DRAFT MOTOR ASSEMBLY (includes motor, housing, & blower wheel)										
		76746100									
		76714300		X			X			X	
8	LIMIT SWITCH										
		76716600									
		76716400								X	
		76716700					X				
		76716500		X							
9	AUXILIARY LIMIT										
		76717100		X			X			X	
10	PRESSURE SWITCH										
		76777100									
		76722500									
		76722600									
		76776900		X			X			X	
11	TRANSFORMER										
		76715500		X			X			X	
12	BURNER										
		76711300		8			10			12	
		76711200									
17	FLUE ADAPTER										
		76708500									
		76708600		X			X			X	
19	FLUE BOX										
		76718900									
		76712100									
		76718800									
		76721400					X				
		76721500								X	
		76719100									
		76721300		X							

HED DUCT FURNACE

HED 200 - 300

DRAWING NUMBER	DESCRIPTION	PART NUMBER	HED200			HED250			HED300		
			1	2	3	1	2	3	1	2	3
20	FLUE BOX GASKET										
		76710000									
		76710100									
		76710200									
		76710300		X			X			X	
21	HEAT EXCHANGER (ALUM)										
		76719700									
		76719800									
		76719900									
		76720000									
		76720100		X							
		76720200					X				
		76720300								X	
21	HEAT EXCHANGER (STAINLESS)										
		76720400									
		76720500									
		76720600									
		76720700									
		76720800		X							
		76720900					X				
		76721000								X	
22	INDUCED DRAFT GASKET										
		76708800									
		76708900		X			X			X	
25	MANIFOLD										
	* For these models, you also need to order tapered thread orifices. (All new manifolds have tapered threads and will not fit with older orifices having straight threads).	76724700									
		76724400									
		76724500									
		76724600									
		76724100		X *	X						
		76724200					X *	X			
		76724300							X *	X	
28	ORIFICE (NAT)										
	Straight thread	76719400									
	Tapered thread	76723900									
	Straight thread	76719500		8			10			12	
	Tapered thread	76723400			8			10			12
29	CONTROL BOX COVER										
		76712600		X			X			X	
33	CONTROL BOX										
		76712500		X			X			X	
38	PANEL, TOP										
		76701000									
		76700900									
		76701100									
		76700800		X			X			X	
39	PANEL, BOTTOM										
		76701500									
		76701300									
		76701400									
		76701200		X			X			X	
40	PANEL, LEFT SIDE (as viewed from rear)										
		76701900									
		76702100									
		76702000		X			X			X	
41	PANEL, RIGHT SIDE (as viewed from rear)										
		76701600									
		76701800									
		76701700		X			X			X	
Not Shown	FAN TIMER										
		100002477		X			X			X	
Not Shown	IGNITION WIRE										
		100000546		X			X			X	
		76715100									
		76715200			X		X			X	
Not Shown	FLAME SENSOR WIRE										
		100000547									
		100000548		X			X			X	
		76738500									
		76738600			X		X			X	

FOA



FOA UNIT HEATER

DRAWING NUMBER	DESCRIPTION	PART NUMBER	FOA 45	FOA 60	FOA 75	FOA 100	FOA 125	FOA 150	FOA 200	FOA 250	FOA 300
1	CONTROL BOARD										
		76722700					X				
	WIRE HARNESS 6-PIN	76722900					X				
45	24V TERMINAL BOARD	76700060					X				
	DOOR SWITCH	76729900					X				
2	ELECTRODE/SPARK IGNITER	76700050					X				
	WIRE, IGNITION cable	76715100					X				
3	ELECTRODE/FLAME SENSOR	76700051					X				
	WIRE, FLAME SENSE	76738500					X				
4	FAN MOTOR (BLOWER MOTOR)	76791000	X								
		76700242		X	X	X	X			X	2
		76714500						X	X		
5	FLAME ROLLOUT SWITCH	76739900	1								
		76740200		2	2	1	1				
6	GAS VALVE (LP)	76717500				X					
		76700264									X
6	GAS VALVE (NAT)	76714600				X					
		76700265									X
7	INDUCED DRAFT MOTOR ASSEMBLY (includes motor, housing, & blower wheel)	76739200	X	X	X						
		76714300				X	X	X	X	X	X

FOA UNIT HEATER

DRAWING NUMBER	DESCRIPTION	PART NUMBER	FOA 45	FOA 60	FOA 75	FOA 100	FOA 125	FOA 150	FOA 200	FOA 250	FOA 300
8	LIMIT SWITCH	76739700	X	X	X						
		76716400				X	X	X	X		X
		76716500								X	
10	PRESSURE SWITCH	76777400	X	X							
		76777300			X						
		76722600				X					
		76700096					X				
		76776900						X	X		
		76777000								X	
		76700236									X
46	ELECTRICAL BOX	76700056						X			
Not Shown	ELECTRICAL BOX COVER	76700057						X			
11	TRANSFORMER	76715500						X			
12	BURNER INSHOT	76739500	3	4	5						
		76711300				4	5	6	7	10	11
13	BURNER BOX	76773700	X								
		76773800		X	X						
Not Shown	BURNER SUPPORT PLATE	76700272				X	X				
		76700237						X	X		
		76700239								X	X
Not Shown	BURNER BOX TOP	76700085	X								
		76700086		X							
		76700087			X						
15	FAN BLADE	76739100	X								
		76740000		X							
		76712000			X						
		76776400				X	X			X	X
		76700250						X	X		
16	FAN GUARD	76739000	X	X							
		76740100			X						
		76700059				X	X				
		76700249						X	X		
		76711100								X	2
17	INLET AIR ADAPTER	76700279	X								
		76700231						X			
Not Shown	INLET AIR ADAPTER GASKET	76700063	X								
		76700062						X			

FOA UNIT HEATER

DRAWING NUMBER	DESCRIPTION	PART NUMBER	FOA 45	FOA 60	FOA 75	FOA 100	FOA 125	FOA 150	FOA 200	FOA 250	FOA 300
18	FLUE ADAPTER										
		76735000	X								
		76737800		X	X						
		76708600				X	X	X	X	X	
		76708700									X
19	FLUE BOX										
		76700102	X								
		76700103		X							
		76700104			X						
		76700033				X					
		76700034					X				
		76700247						X			
		76700248							X		
		76700258								X	
		76700259									X
20	FLUE BOX GASKET										
		76739300	X								
		76740300		X	X						
		76700058				X	X				
		76700253						X	X		
		76700254								X	X
21	HEAT EXCHANGER ASSEMBLY										
		76700067	X								
		76700068		X							
		76700069			X						
		76700053				X					
		76700054					X				
		76700232						X			
		76700233							X		
		76700234								X	
		76700235									X
22	INDUCED DRAFT GASKET										
		76739300	X								
		76708800		X	X						
		76708900				X	X	X	X	X	X
54	INDUCED DRAFT MOTOR PLATE										
		76700105	X	X	X						
53	GASKET INDUCED DRAFT MOTOR PLATE										
		76700106	X	X	X						
23	LOUVER SPRING										
		76713500	4	6	6	6	6	8	8	12	12
24	LOUVER VANE (BEIGE)										
		76741100	4	6	6						
		76713100				6	6	8	8	12	12
25	MANIFOLD										
		76774000	X								
		76774100		X							
		76774200			X						
		76700046				X					
		76700280					X				
		76700251						X			
		76700252							X		
		76700261								X	
		76700262									X
14	MANIFOLD CONNECTION										
		76700048	X	X	X						
		76700040				X	X	X	X		
		76700230								X	X
Not Shown	MANIFOLD GROMMET										
		76700047	X	X	X	X	X	X	X		
		76700278								X	X
26	MOUNTING BRACKET, BACK										
		76750900	X	X	X						

FOA UNIT HEATER

DRAWING NUMBER	DESCRIPTION	PART NUMBER	FOA 45	FOA 60	FOA 75	FOA 100	FOA 125	FOA 150	FOA 200	FOA 250	FOA 300
27	MOUNTING BRACKET, FRONT	76750800	X	X	X						
28	ORIFICE (LP)	76724000	3	4	5						
		76723500				4	5	6		10	
		76723100							7		11
28	ORIFICE (NAT)	76723700	3	4							
		76700281			5						
		76723400				4	5				
		76700263						6			11
		76723600							7		
		76723400								10	
30	FRONT PANEL	76700079	X								
		76700031		X	X						
		76700037				X	X				
		76700244						X	X		
		76700256								X	X
38	TOP PANEL	76700098	X	X	X						
		76700035				X	X	X	X	X	X
32	BOTTOM PANEL	76700099	X	X	X						
		76700229				X	X	X	X		
		76700241								X	X
50	TOP / BOTTOM INSULATING PANEL	76700070	X	X	X						
		76700282				X	X	X	X	X	X
31	SIDE PANEL	76700080	X								
		76700073		X	X						
		76700038				X	X				
		76700245						X	X		
		76700260								X	X
51	SIDE INSULATING PANEL	76700081	X								
		76700071		X	X						
		76700043				X	X				
		76700246						X	X		
		76700284								X	X
52	FAN PANEL	76700097	X								
		76700101		X	X						
		76700036				X	X				
		76700243						X	X		
		76700255								X	X
29	ACCESS DOOR	76700076	X								
		76700075		X	X						
		76700074				X	X				
		76700285						X	X		
		76700286								X	X
Not Shown	SIGHT GLASS	76700042						X			

FOA - VENTING GUIDELINES

	Model Size (1000s BTUH)	Termination Type	Flue		Inlet air		Approved Caps	
			Material	Size	Material	Size	Flue	Inlet air
			FOA Horizontal Commercial Applications	45	Two pipe	Single wall Cat. III	3"	Single wall
Concentric	Single wall Cat. III	* 3"			Single wall	* 3"	Concentric vent kit (4"/7") Part # 65336800	
60, 75	Two pipe	Single wall Cat. III		4"	Single wall	4"	Tee Cat. III	Tee Cat. III
	Concentric	Single wall Cat. III		4"	Single wall	4"	Concentric vent kit (4"/7") Part # 65336800	
100, 125	Two pipe	Single wall Cat. III		5"	Single wall	4"	Tee Cat. III	Tee Cat. III
	Concentric	Not available						
150,200,250	Two pipe	Single wall Cat. III	5"	Single wall	4"	Tee Cat. III	Tee Cat. III	
	Concentric	Single wall Cat. III	5"	Single wall	** 4"	Concentric vent kit (5"/8") Part # 65354500		
300	Two pipe	Single wall Cat. III	6"	Single wall	4"	Tee Cat. III	Tee Cat. III	
	Concentric	Not available						

	Model Size (1000s BTUH)	Termination Type	Flue		Inlet air		Approved Caps	
			Material	Size	Material	Size	Flue	Inlet air
			FOA Vertical Commercial Applications	45	Two Pipe	Single wall Double Wall (B-1)	3"	Single wall
Concentric	Single wall Double Wall (B-1)	* 3"			Single wall	* 3"	Concentric vent kit (4"/7") Part # 65336800	
60, 75	Two Pipe	Single wall Double Wall (B-1)		4"	Single wall	4"	Any UL approved caps	
	Concentric	Single wall Double Wall (B-1)		4"	Single wall	4"	Concentric vent kit (4"/7") Part # 65336800	
100, 125	Two Pipe	Single wall Double Wall (B-1)		5"	Single wall	4"	Any UL approved caps	
	Concentric	Single wall Double Wall (B-1)		5"	Single wall	** 4"	Concentric vent kit (5"/8") Part # 65336900	
150,200,250	Two Pipe	Single wall Double Wall (B-1)	5"	Single wall	4"	Any UL approved caps		
	Concentric	not available						
300	Two Pipe	Single wall Double Wall (B-1)	6"	Single wall	4"	Any UL approved caps		
	Concentric	not available						

	Model Size (1000s BTUH)	Termination Type	Flue		Inlet air		Approved Caps	
			Material	Size	Material	Size	Flue	Inlet air
			FOA Horizontal Residential Applications	45	Two pipe	Cat. III	* 3"	Single wall
60, 75	Two pipe	Cat. III		4"	Single wall	4"	Cat. III	Tee
100, 125	Two pipe	Cat. III		5"	Single wall	4"	Cat. III	Tee

	Model Size (1000s BTUH)	Termination Type	Flue		Inlet air		Approved Caps	
			Material	Size	Material	Size	Flue	Inlet air
			FOA Vertical Residential Applications	45	Two Pipe	Double Wall (B-1)	3"	Single wall
Concentric	Double Wall (B-1)	* 3"			Single wall	* 3"	Concentric vent kit (4"/7") Part # 65336800	
60, 75	Two Pipe	Double Wall (B-1)		4"	Single wall	4"	Any UL approved caps	
	Concentric	Double Wall (B-1)		4"	Single wall	4"	Concentric vent kit (4"/7") Part # 65336800	
100, 125	Two Pipe	Double Wall (B-1)		5"	Single wall	4"	Any UL approved caps	
	Concentric	Double Wall (B-1)		5"	Single wall	** 4"	Concentric vent kit (5"/8") Part # 65336900	

* Field supplied 3" to 4" increaser required for connection to concentric adapter

** Field supplied 4" to 5" increaser required for connection to concentric adapter

Note: Vent cap (for two pipe venting systems) 2 required per system

SEP & HED - VENTING GUIDELINES

SEP & HED Commercial Applications Only *	Model Size (1000s BTUH)	Horizontal Venting			Vertical Venting		
		Material	Size	Approved Caps	Material	Size	Approved Caps
75 - 150	Single wall	4"	Tee	Single wall	4"	Any UL approved caps	
	Cat. III		Cat. III	Double Wall (B-1)			
175 - 300	Single wall	5"	Tee	Single wall	5"	Any UL approved caps	
	Cat. III		Cat. III	Double Wall (B-1)			
345 - 400	Single wall	6"	Tee	Single wall	6"	Any UL approved caps	
	Cat. III		Cat. III	Double Wall (B-1)			

* SEP and HED unit heaters are not approved for residential applications.

FSA - VENTING GUIDELINES

FSA Commercial Applications	Model Size (1000s BTUH)	Horizontal Venting			Vertical Venting		
		Material	Size	Approved Caps	Material	Size	Approved Caps
30, 45	Single wall	3"	Tee	Single wall	3"	Any UL approved caps	
	Cat. III		Cat. III	Double Wall (B-1)			
60, 75	Single wall	4"	Tee	Single wall	4"	Any UL approved caps	
	Cat. III		Cat. III	Double Wall (B-1)			

FSA Residential Applications	Model Size (1000s BTUH)	Horizontal Venting			Vertical Venting		
		Material	Size	Approved Caps	Material	Size	Approved Caps
30, 45	Cat. III	3"	Cat. III	Double Wall (B-1)	3"	Any UL approved caps	
60, 75	Cat. III	4"	Cat. III	Double Wall (B-1)	4"	Any UL approved caps	

VENTING COMPONENTS

ADP Part Number	Description	FSA		SEP			HED			FOA				
		30 45	60 75	100 115 145	175 200 230 250 300	345 400	75 100 125 150	200 250 300	45	60 75	100 125	150 200 250	300	
Category III Horizontal Vent Kits ^[1]														
66808901	^[2] VENT KIT, UP SLOPED CAT III (3")	X							X					
66808902	^[2] VENT KIT, UP SLOPED CAT III (4")		X	X			X			X				
66808903	^[2] VENT KIT, UP SLOPED CAT III (5")				X		X				X	X		
66808904	^[2] VENT KIT, UP SLOPED CAT III (6")					X							X	
66809001	VENT KIT, DOWN SLOPED CAT III (3")	X							X					
66809002	VENT KIT, DOWN SLOPED CAT III (4")		X	X			X			X				
66809003	VENT KIT, DOWN SLOPED CAT III (5")				X		X				X	X		
66809004	VENT KIT, DOWN SLOPED CAT III (6")					X							X	
Category III Components ^[3]														
66809101	90 DEGREE ELBOW CAT III (3")	X							X					
66809102	90 DEGREE ELBOW CAT III (4")		X	X			X			X				
66809103	90 DEGREE ELBOW CAT III (5")				X		X				X	X		
66809104	90 DEGREE ELBOW CAT III (6")					X							X	
66809201	STRAIGHT VENT PIPE 6" LEN (3")	X							X					
66809202	STRAIGHT VENT PIPE 12" LEN (3")	X							X					
66809203	STRAIGHT VENT PIPE 36" LEN (3")	X							X					
66809301	STRAIGHT VENT PIPE 6" LEN (4")		X	X			X			X				
66809302	STRAIGHT VENT PIPE 12" LEN (4")		X	X			X			X				
66809303	STRAIGHT VENT PIPE 36" LEN (4")		X	X			X			X				
66809401	STRAIGHT VENT PIPE 6" LEN (5")				X		X				X	X		
66809402	STRAIGHT VENT PIPE 12" LEN (5")				X		X				X	X		
66809403	STRAIGHT VENT PIPE 36" LEN (5")				X		X				X	X		
66809501	STRAIGHT VENT PIPE 12" LEN (6")					X							X	
66809502	STRAIGHT VENT PIPE 36" LEN (6")					X							X	
66809601	HORIZ VENT / AIR INLET TEE (3")	X							X					
66809602	HORIZ VENT / AIR INLET TEE (4")		X	X			X			X	X	X	X	
66809603	HORIZ VENT / AIR INLET TEE (5")				X		X				X	X		
66809604	HORIZ VENT / AIR INLET TEE (6")					X							X	
Single Wall														
165340601	VENT CAP, SINGLE (3")	X							X					
165340602	VENT CAP, SINGLE (4")		X	X			X			X	X	X	X	
165340603	VENT CAP, SINGLE (5")				X		X				X	X		
165340604	VENT CAP, SINGLE (6")					X							X	
Concentric ^[4]														
65336800	KIT, CONCENTRIC VENT (4"/7")								X	X				
65336900	KIT, CONCENTRIC VENT (5"/8")										X			
65354500	KIT, CONCENTRIC VENT, HORIZ (5"/8")											X		
65337800	CONCENTRIC PIPE 18" LEN (4")								X	X				
65337900	CONCENTRIC PIPE 18" LEN (5")										X	X		

[1] Cat. III vent kit includes: (1) unit transition, (1) vent termination, and (1) wall thimble.

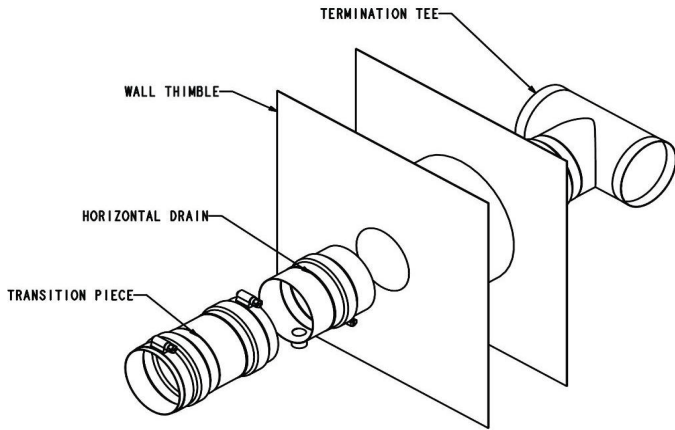
[2] Upslope kits have drain connection. Vent pipe sold separately.

[3] Category III not required for air intake.

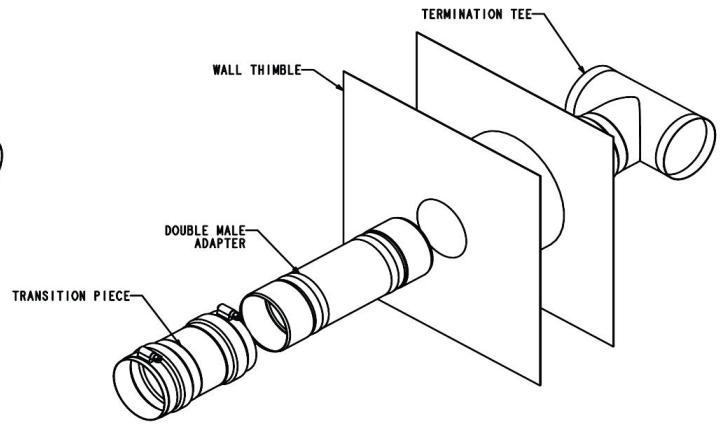
[4] Concentric vent kit Includes: (1) concentric adapter, (1) 12" piece of concentric pipe, (2) concentric to single wall adapters, and (1) termination cap.

VENT KITS AND ACCESSORIES

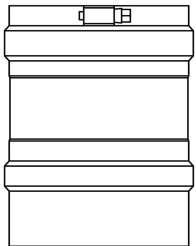
Horizontal Vent Kit (Upslope)



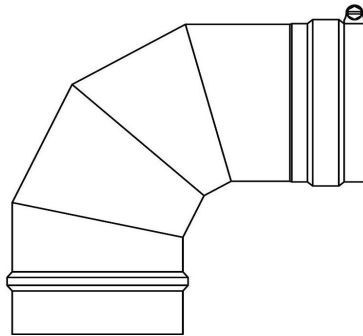
Horizontal Vent Kit (Downslope)



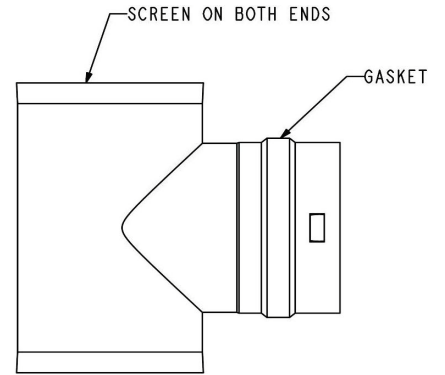
Straight Pipe (typical)



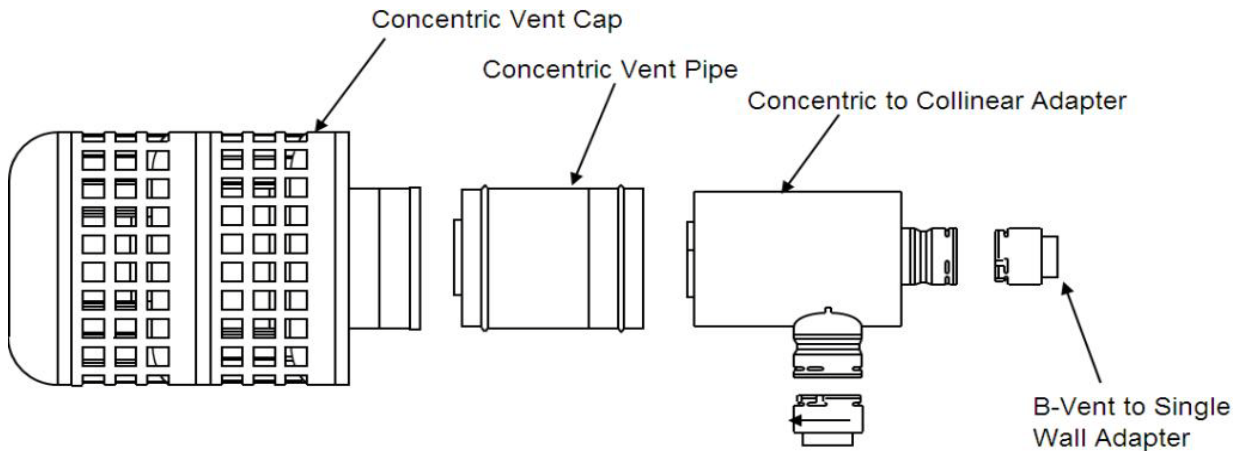
90 deg Elbow (typical)



Horizontal Vent Air Intake Tee



Concentric Vent Kit (typical)



FUEL CONVERSION KITS & MOUNTING BRACKETS

LP Conversion Kit Part # (not available for SEP 60, 90)	Used On Models	Includes	Ship Weight
165296401	SEP 100	1 Honeywell Spring Kit, 1 Spring Kit, 6 #52 Tapered	2 lbs.
165295202	SEP 115, 145 & 175	1 393691 Honeywell Spring Kit, 1 92-0836 White Rogers Spring Kit, 6 #52 Tapered Orifices (Part # 76723100), 1 LP Pressure Switch, 1 A-Nipple LP Pressure Switch, 1 Elbow-LP Pressure Switch, 1 B-Nipple LP Pressure Switch, 6 Turbulators, 6 Turbulator Clips	2 lbs.
165295203	SEP 230, 290 & 345	1 LP Gas Valve (Part # 76717600), 12 #52 Tapered Orifices (Part # 76723100), 12 Turbulators, 12 Turbulator Clips	3 lbs.
165295205	SEP-200	1 393691 Honeywell Spring Kit, 1 92-0836 White Rogers Spring Kit, 6 .068 Tapered Orifices (Part # 76723300)	2 lbs.
165296403	SEP-250, 300	1 LP Gas Valve (Part # 76717600), 12 #53 Tapered Orifices (Part # 76723500), 12 Turbulators, 12 Turbulator Clips	3 lbs.
165295206	SEP-400	1 LP Gas Valve (Part # 76717600), 12 Tapered Orifices (Part # 76723300)	2 lbs.
165295204	CUH/FSA (all models)	1 393691 Honeywell Spring Kit (Part # 76757900), 1 92-0836 White Rogers Spring Kit (Part # 76757900), 1 Robert Shaw Spring Kit (Part #76768500), 5 #56 Tapered Orifices (Part # 76724000)	2 lbs.
165336301	FOA 45, 60 & 75	5 #56 Orifices (Part # 76724000), 1 Honeywell Spring Kit (Part # 76759100)	2 lbs.
165336303	FOA 100, 125, 150, 250	10 #53 Orifices (Part #76723500), 1 Honeywell Spring Kit (Part # 76759100)	2 lbs.
165336304	FOA 200 & 300	11 # 52 Orifices (Part # 76723100), 1 Honeywell Spring Kit (Part #76759100)	2 lbs.

LP Kits are not designed for and should not be used on HED duct furnaces.

LP & NG Kits have tapered thread orifices and will not fit older models with straight threads.

NG Conversion Kit Part # (not available for SEP 90, 100, 250, 300, and CUH units)	Used On Models	Includes	Ship Weight
Kit not yet available. Components are listed at right.	SEP 100	6 Tapered Orifices (Part # 76723400), 1 Natural Gas Valve (Part # 76714600)	TBD
160000001	SEP 115, 145, 175	6 Tapered Orifices (Part # 76723000), 1 Natural Gas Valve (Part # 76714600)	2 lbs.
160000002	SEP 200	7 Tapered Orifices (Part # 76723600), 1 Natural Gas Valve (Part # 76714600)	2 lbs.
160000003	SEP 230, 290, 345	12 Tapered Orifices (Part # 76723000), 1 Natural Gas Valve (Part # 76714800)	2 lbs.
Kit not yet available. Components are listed at right.	SEP 250, 300	12 Tapered Orifices (Part # 76723400), 1 Natural Gas Valve (Part # 76714800)	TBD
160000004	SEP 400	12 Tapered Orifices (Part # 76723300), 1 Natural Gas Valve (Part # 76714800)	2 lbs.

LP & NG Kits have tapered thread orifices and will not fit older models with straight threads.

Description	Part #	Used On Models	Ship Weight
Mounting Bracket Kit	100001381	SEP 230 thru SEP400 and HED	9 lbs.

HEP

HEP UNIT HEATER

DESCRIPTION	PART NUMBER	HEP50				HEP75				HEP100			HEP125			HEP150			HEP200		HEP250			HEP300		
		1	2	3	4	1	2	3	4	1	2	3	1	2	3	1	2	3	1	2	1	2	3	1	2	3
HEAT EXCHANGER STAINLESS STEEL																										
	76711400	X																								
	76711500					X																				
	76711600									X																
	76711700										X															
	76708100												X													
	76708200															X										
	76711900																				X					
	76708300																							X		



Advanced Distributor Products®

Solutions for Your needs

2175 West Park Place Boulevard
Stone Mountain, GA 30087
www.adpnow.com