

## Rigid-IMC Connectors Compression Type - (No Thread)

- Industrial specification grade, screw machined steel, zinc plated
- UL Listed Rain Tight and Concrete Tight 1/2" - 2"
- UL Listed Concrete Tight 2-1/2" - 4"

Cat. #	Size	Unit Ctn	Std Pkg	WT/100
NT2750	1/2"	25	250	13
NT2751	3/4"	20	100	20
NT2752	1"	5	50	36
NT2753	1-1/4"	5	25	48
NT2754	1-1/2"	5	25	70
NT2755 †	2"	5	25	100
NT2756 * †	2-1/2"	-	5	275
NT2757 *	3"	-	3	333
NT2758 * †	3-1/2"	-	3	475
NT2759 * †	4"	-	2	547
NT2770*	5"	-	1	1100

### With Insulated Throat

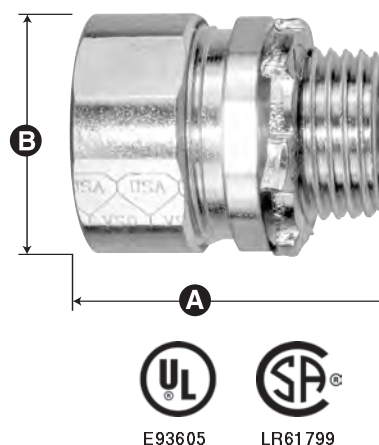
Cat. #	Size	Unit Ctn	Std Pkg	WT/100
NT2750B	1/2"	25	250	13
NT2751B	3/4"	20	100	20
NT2752B	1"	5	50	36
NT2753B	1-1/4"	5	25	48
NT2754B	1-1/2"	5	25	70
NT2755B †	2"	5	25	100
NT2756B * †	2-1/2"	-	5	275
NT2757B *	3"	-	3	333
NT2758B * †	3-1/2"	-	3	475
NT2759B * †	4"	-	2	547
NT2770B*	5"	-	1	1100

## Rigid-IMC Couplings Compression Type - (No Thread)

- Industrial specification grade, screw machined steel, zinc plated
- UL Listed Rain Tight and Concrete Tight 1/2" - 2"
- UL Listed Concrete Tight 2-1/2" - 4"

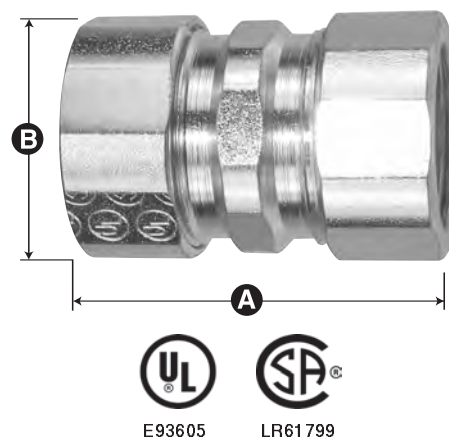
Cat. #	Size	Unit Ctn	Std Pkg	WT/100
NT2760	1/2"	20	100	16
NT2761	3/4"	20	100	24
NT2762	1"	5	50	48
NT2763	1-1/4"	5	25	64
NT2764	1-1/2"	5	25	110
NT2765 †	2"	3	15	140
NT2766 * †	2-1/2"	-	5	401
NT2767 *	3"	-	3	558
NT2768 * †	3-1/2"	-	2	718
NT2769 * †	4"	-	2	819
NT2780*	5"	-	1	1350

\* Malleable Iron † UL Pending for IMC conduit



**Dimensional Table**

Cat. #	A Length	B Diameter
NT2750/B	1.35	1.17
NT2751/B	1.48	1.43
NT2752/B	1.58	1.75
NT2753/B	1.86	2.15
NT2754/B	1.94	2.38
NT2755/B	2.49	3.38
NT2756/B	3.88	3.93
NT2757/B	4.00	4.66
NT2758/B	4.31	5.20
NT2759/B	4.50	5.75
NT2770/B	5.00	7.00



**Dimensional Table**

Cat. #	A Length	B Diameter
NT2760	1.74	1.17
NT2761	1.82	1.43
NT2762	1.95	1.75
NT2763	2.65	2.15
NT2764	2.70	2.37
NT2765	2.93	3.38
NT2766	5.38	3.93
NT2767	5.63	4.66
NT2768	5.69	5.20
NT2769	5.88	5.75
NT2780	7.00	6.38