



Made in the USA Since 1946

Rigid-IMC Connectors Compression Type - (No Thread)

- Industrial specification grade, screw machined steel, zinc plated
- UL Listed **RAIN TIGHT** and Concrete Tight 1/2" – 2"
- UL Listed Concrete Tight 2-1/2" – 4"



E93605



LR61799

UL rated suitable for hazardous locations
Class I, Div. 2; Class II, Div. 1 and 2;
Class III, Div. 1 and 2; NEC 501-4(b), 505-4(a), 503-3(a)

Rigid Connectors - Compression - (NT)

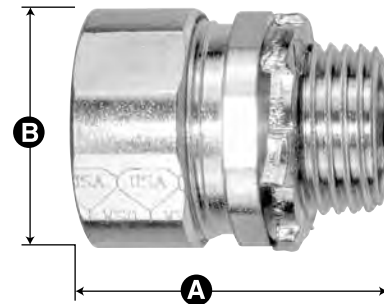
Cat. #	Size	Unit Ctn	Std Pkg	WT/ 100
NT2750	1/2"	25	250	13
NT2751	3/4"	20	100	20
NT2752	1"	5	50	36
NT2753	1-1/4"	5	25	48
NT2754	1-1/2"	5	25	70
NT2755	2"	5	25	100
NT2756 *	2-1/2"	-	5	275
NT2757*	3"	-	3	333
NT2758 *	3-1/2"	-	3	475
NT2759 *	4"	-	2	547
NT2770*	5"	-	1	1100

With Insulated Throat

Cat. #	Size	Unit Ctn	Std Pkg	WT/ 100
NT2750B	1/2"	25	250	13
NT2751B	3/4"	20	100	20
NT2752B	1"	5	50	36
NT2753B	1-1/4"	5	25	48
NT2754B	1-1/2"	5	25	70
NT2755B	2"	5	25	100
NT2756B*	2-1/2"	-	5	275
NT2757B*	3"	-	3	333
NT2758B*	3-1/2"	-	3	475
NT2759B*	4"	-	2	547
NT2770B*	5"	-	1	1100

* Malleable Iron

SPEC-grade



Featuring:
EZ-Torque Compression Nut

Dimensional Table

Cat. #	A Length	B Diameter
NT2750/B	1.35	1.17
NT2751/B	1.48	1.43
NT2752/B	1.58	1.75
NT2753/B	1.86	2.15
NT2754/B	1.94	2.38
NT2755/B	2.49	3.38
NT2756/B	3.88	3.93
NT2757/B	4.00	4.66
NT2758/B	4.31	5.20
NT2759/B	4.50	5.75
NT2770/B	5.00	7.00



Rigid-IMC Connectors Set Screw Type

- Industrial specification grade, screw machined steel, zinc plated
- No thread
- UL Listed Concrete Tight when taped



E93605



LR61799

Rigid Connector (SST)

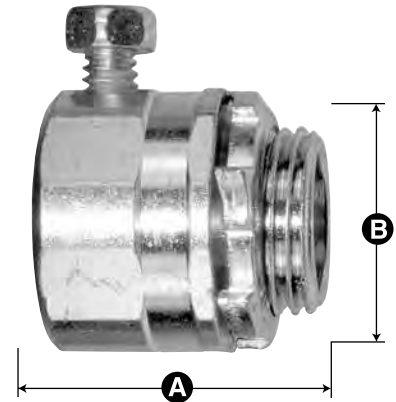
Cat. #	Size	Unit Ctn	Std Pkg	WT/ 100
SNT1750	1/2"	20	200	13
SNT1751	3/4"	20	100	17
SNT1752	1"	5	50	28
SNT1753	1-1/4"	5	25	43
SNT1754	1-1/2"	5	25	55
SNT1755	2"	5	25	70
SNT1756*	2-1/2"	-	6	151
SNT1757*	3"	-	6	192
SNT1758*	3-1/2"	-	3	261
SNT1759*	4"	-	3	295

With Insulated Throat

Cat. #	Size	Unit Ctn	Std Pkg	WT/ 100
SNT1750B	1/2"	20	200	13
SNT1751B	3/4"	20	100	17
SNT1752B	1"	5	50	28
SNT1753B	1-1/4"	5	25	43
SNT1754B	1-1/2"	5	25	55
SNT1755B	2"	5	25	70
SNT1756B*	2-1/2"	-	6	151
SNT1757B*	3"	-	6	192
SNT1758B*	3-1/2"	-	3	261
SNT1759B*	4"	-	3	295

*Malleable Iron

SPEC-grade



Dimensional Table

Cat. #	A Length	B Diameter
SNT1750/B	1.13	1.13
SNT1751/B	1.25	1.38
SNT1752/B	1.50	1.63
SNT1753/B	1.75	2.00
SNT1754/B	1.88	2.25
SNT1755/B	2.00	2.75
SNT1756/B	2.94	3.22
SNT1757/B	3.06	3.84
SNT1758/B	3.38	4.36
SNT1759/B	3.56	4.86



Made in the USA Since 1946

Rigid-IMC Couplings Compression Type - (No Thread)

- Industrial specification grade, screw machined steel, zinc plated
- UL Listed **RAIN TIGHT AND CONCRETE TIGHT** 1/2" – 2"
- UL Listed Concrete Tight 2-1/2" – 4"

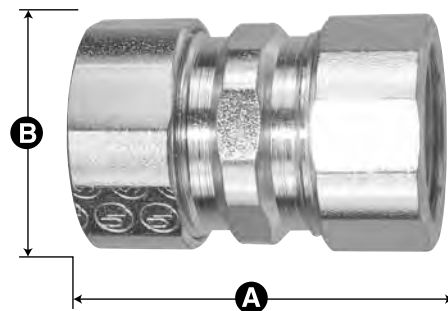


E93605



LR61799

SPEC-grade



Featuring:
EZ-Torque Compression Nut

Rigid Compression Coupling (NT)

Cat. #	Size	Unit Ctn	Std Pkg	WT/ 100
NT2760	1/2"	20	100	16
NT2761	3/4"	20	100	24
NT2762	1"	5	50	48
NT2763	1-1/4"	5	25	64
NT2764	1-1/2"	5	25	110
NT2765	2"	3	15	140
NT2766 *	2-1/2"	-	5	401
NT2767*	3"	-	3	558
NT2768 *	3-1/2"	-	2	718
NT2769 *	4"	-	2	819
NT2780*	5"	-	1	1350

*Malleable Iron

Dimensional Table

Cat. #	A Length	B Diameter
NT2760	1.74	1.17
NT2761	1.82	1.43
NT2762	1.95	1.75
NT2763	2.65	2.15
NT2764	2.70	2.37
NT2765	2.93	3.38
NT2766	5.38	3.93
NT2767	5.63	4.66
NT2768	5.69	5.20
NT2769	5.88	5.75
NT2780	7.00	6.38

Rigid IMC Conduit Fittings



Made in the USA Since 1946

RIGID - IMC CONDUIT
Couplings / Set Screw Type
Size Range: 1/2" to 4"

Rigid-IMC Couplings Set Screw Type

- Industrial specification grade, screw machined steel, zinc plated
- No thread
- UL Listed Concrete Tight when taped

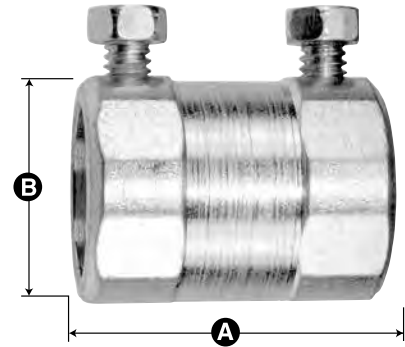


E93605



LR61799

SPEC-grade



Rigid Coupling (SNT)

Cat. #	Size	Unit Ctn	Std Pkg	WT/ 100
SNT1760	1/2"	20	100	19
SNT1761	3/4"	20	100	24
SNT1762	1"	5	50	37
SNT1763	1-1/4"	5	25	65
SNT1764	1-1/2"	5	25	72
SNT1765	2"	3	15	111
SNT1766*	2-1/2"	-	5	166
SNT1767*	3"	-	3	225
SNT1768*	3-1/2"	-	2	260
SNT1769*	4"	-	2	295

Dimensional Table

Cat. #	A Length	B Diameter
SNT1760	1.50	1.13
SNT1761	1.50	1.38
SNT1762	1.88	1.63
SNT1763	2.18	2.00
SNT1764	2.63	2.25
SNT1765	2.75	2.75
SNT1766	3.76	3.22
SNT1767	3.81	3.84
SNT1768	4.63	4.36
SNT1769	4.93	4.86

Rigid IMC Conduit Fittings

* Malleable Iron



Made in the USA Since 1946

Reducing Bushings

- Industrial specification grade, screw machined steel, zinc plated
- (N.P.S.) Straight Pipe Thread
- For reducing the threaded opening in conduit bodies or any female threaded fitting
- Product is **RAINTIGHT**

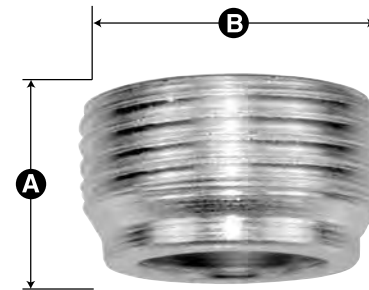


E93605



LR61799

SPEC-grade



Steel, Zinc Plated

Cat. #	Size	Unit Ctn	Std Pkg	WT/ 100
RB5038	1/2" x 3/8"	100	1000	2
RB7550	3/4" x 1/2"	100	500	14
RB10050	1" x 1/2"	50	250	12
RB10075	1" x 3/4"	50	250	12
RB12550	1-1/4" x 1/2"	20	200	28
RB12575	1-1/4" x 3/4"	20	200	22
RB125100	1-1/4" x 1"	20	200	14
RB15050	1-1/2" x 1/2"	10	100	42
RB15075	1-1/2" x 3/4"	10	100	36
RB150100	1-1/2" x 1"	10	100	28
RB150125	1-1/2" x 1-1/4"	10	100	12
RB20050	2" x 1/2"	5	50	84
RB20075	2" x 3/4"	5	50	76
RB200100	2" x 1"	5	50	68
RB200125	2" x 1-1/4"	5	50	48
RB200150	2" x 1-1/2"	5	50	32

Dimensional Table

Cat. #	A Length	B Diameter
RB5038	.563	.750
RB7550	.650	.920
RB10050	.715	1.125
RB10075	.715	1.125
RB12550	.820	1.470
RB12575	.820	1.470
RB125100	.820	1.470
RB15050	.850	1.700
RB15075	.850	1.700
RB150100	.850	1.700
RB150125	.850	1.700
RB20050	.970	2.230
RB20075	.970	2.230
RB200100	.970	2.230
RB200125	.970	2.230
RB200150	.970	2.230

Rigid IMC Conduit Fittings

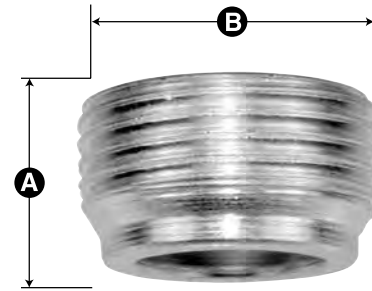


Made in the USA Since 1946

Reducing Bushings

- Industrial specification grade, screw machined steel, zinc plated
- (N.P.S.) Straight Pipe Thread
- For reducing the threaded opening in conduit bodies or any female threaded fitting
- Product is **RAINTIGHT**

SPEC-grade



E93605



LR61799

Malleable Iron

Cat. #	Size	Unit Ctn	Std Pkg	WT/ 100
RB250100	2-1/2" x 1"	-	10	130
RB250125	2-1/2" x 1-1/4"	-	10	140
RB250150	2-1/2" x 1-1/2"	-	10	140
RB250200	2-1/2" x 2"	-	10	110
RB300125	3" x 1-1/4"	-	10	200
RB300150	3" x 1-1/2"	-	10	240
RB300200	3" x 2"	-	10	200
RB300250	3" x 2-1/2"	-	10	170
RB350150	3-1/2" x 1-1/2"	-	10	230
RB350200	3-1/2" x 2"	-	10	230
RB350250	3-1/2" x 2-1/2"	-	10	270
RB350300	3-1/2" x 3"	-	10	250
RB400200	4" x 2"	-	10	350
RB400250	4" x 2-1/2"	-	10	380
RB400300	4" x 3"	-	10	320
RB400350	4" x 3-1/2"	-	10	290

Dimensional Table

Cat. #	A Length	B Diameter
RB250100	1.563	2.750
RB250125	1.563	2.845
RB250150	1.433	2.900
RB250200	1.433	2.930
RB300125	1.680	3.445
RB300150	1.700	3.750
RB300200	1.635	3.250
RB300250	1.563	3.875
RB350150	1.750	3.900
RB350200	1.750	3.900
RB350250	1.625	4.180
RB350300	1.563	4.630
RB400200	2.070	4.750
RB400250	2.070	4.750
RB400300	2.125	4.750
RB400350	2.250	4.750

Rigid IMC Conduit Fittings



Made in the USA Since 1946

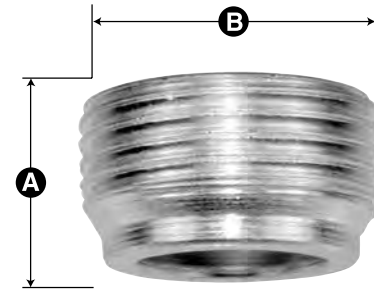
Reducing Bushings - Suitable for Hazardous Locations

- Industrial specification grade, screw machined steel, zinc plated
- (N.P.T.) Tapered Pipe Thread Outside NPS Inside Thread
- UL Approved for hazardous locations



Class I, Groups C and D; Class II, Groups E, F, and G
Reducing bushings, Series RB, Cat nos. RB followed by 2, 3, 4, 5, or 6,
followed by 1, 2, 3, 4, or 5, followed by H. Conduit sizes 1/2" to 2" incl.

SPEC-grade



Steel - Reducing Bushings

Cat. #	Size	Unit Ctn	Std Pkg	WT/ 100
RB21H	3/4" x 1/2"	50	500	6
RB31H	1" x 1/2"	50	250	14
RB32H	1" x 3/4"	50	250	8
RB41H	1-1/4" x 1/2"	20	200	36
RB42H	1-1/4" x 3/4"	20	200	28
RB43H	1-1/4" x 1"	20	200	18
RB51H	1-1/2" x 1/2"	10	100	54
RB52H	1-1/2" x 3/4"	10	100	46
RB53H	1-1/2" x 1"	10	100	36
RB54H	1-1/2" x 1-1/4"	10	100	16
RB61H	2" x 1/2"	5	50	184
RB62H	2" x 3/4"	5	50	168
RB63H	2" x 1"	5	50	144
RB64H	2" x 1-1/4"	5	50	104
RB65H	2" x 1-1/2"	5	50	60

Dimensional Table

Cat. #	A Length	B Diameter
RB21H	.650	.920
RB31H	.715	1.125
RB32H	.715	1.125
RB41H	.820	1.470
RB42H	.820	1.470
RB43H	.820	1.470
RB51H	.850	1.700
RB52H	.850	1.700
RB53H	.850	1.700
RB54H	.850	1.700
RB61H	.970	2.230
RB62H	.970	2.230
RB63H	.970	2.230
RB64H	.970	2.230
RB65H	.970	2.230

Rigid IMC Conduit Fittings



Made in the USA Since 1946

Aluminum Reducing Bushings - Suitable for Hazardous Locations

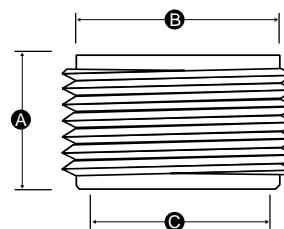
Size Range: 3/4" x 1/2" to 2" x 1-1/2"

- Threaded for Rigid / IMC Conduit
- NPT tapered threads
- Smooth internal bushing provides wire protection
- Explosion proof, approved for hazardous locations
- Dust-ignition proof



UL rated suitable for hazardous locations
Class I, Div. 1 and 2, Groups A, B, C, D
Class I, Zone 1 and 2, Groups IIC, IIB, IIA
Class II, Div. 1 and 2; Groups E, F, G
Class III, Div. 1 and 2

SPEC-grade



Aluminum - Reducing Bushings

Cat. #	Size	A OAL	B ø	C ø	Unit Qty	Std. Pkg	WT/ 100
RBA21H	3/4" x 1/2"	.75"	.94"	0.60"	50	500	3
RBA31H	1" x 1/2"	.75"	1.15"	0.60"	50	250	6
RBA32H	1" x 3/4"	.75"	1.15"	0.80"	50	250	4
RBA41H	1 1/4" x 1/2"	.81"	1.52"	0.60"	20	200	12
RBA42H	1 1/4" x 3/4"	.81"	1.52"	0.80"	20	200	10
RBA43H	1 1/4" x 1"	.88"	1.52"	1.02"	20	200	7
RBA51H	1 1/2" x 1/2"	.88"	1.75"	0.60"	10	100	19
RBA52H	1 1/2" x 3/4"	.88"	1.75"	0.80"	10	100	16
RBA53H	1 1/2" x 1"	.88"	1.75"	1.02"	10	100	13
RBA54H	1 1/2" x 1 1/4"	.94"	1.75"	1.36"	10	100	7
RBA61H	2" x 1/2"	.88"	2.23"	0.60"	5	50	33
RBA62H	2" x 3/4"	.88"	2.23"	0.80"	5	50	31
RBA63H	2" x 1"	.88"	2.23"	1.02"	5	50	27
RBA64H	2" x 1 1/4"	.94"	2.23"	1.36"	5	50	22
RBA65H	2" x 1 1/2"	1.00"	2.23"	1.60"	5	50	17

Rigid IMC Conduit Fittings



Made in the USA Since 1946

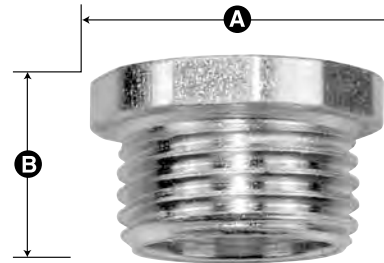
RIGID - IMC CONDUIT:
Chase Nipples
Size Range: 1/2" to 1"

Chase Nipples Rigid (Threaded)

- Industrial specification grade, screw machined steel, zinc plated
- Rigid conduit thread



SPEC-grade



Steel Chase Nipples

Cat. #	Size	Uni Ctn	Std Pkg	WT/ 100
CN50	1/2"	100	1000	3
CN75	3/4"	50	500	4
CN100	1"	20	200	9
CN125	1 1/4"	20	100	17
CN150	1 1/2"	20	100	21
CN200	2"	15	75	29

Dimensional Table

Cat. #	A Nut Diameter	B Body Diameter
CN50	1.13	.41
CN75	1.38	.41
CN100	1.69	.66
CN125	1.89	.94
CN150	2.15	1.00
CN200	2.67	1.06

Rigid IMC Conduit Fittings

AMERICAN FITTINGS Corporation



Made in the USA Since 1946

RIGID - IMC CONDUIT
Rigid Couplings / Three Piece Construction
Size Range: Steel: 1/2" to 2" / Malleable Iron: 1/2" to 4"

Rigid Couplings Three Piece Construction

- Industrial specification grade, screw machined steel, zinc plated
- 1/2" & 3/4" Steel UL Rated Liquid Tight & Concrete Tight
- 1" - 4" UL Rated Concrete Tight

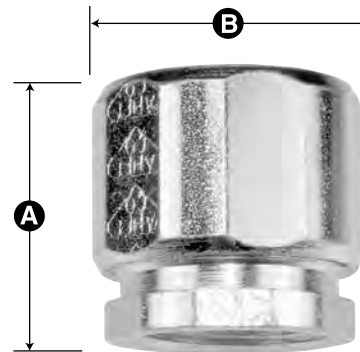


E93605



LR61799

SPEC-grade



Featuring:
EZ-Torque Compression Nut

Steel - 3 Piece Couplings

Cat. #	Size	Unit Ctn	Std Pkg	WT/ 100
ER50	1/2"	20	200	15
ER75	3/4"	20	100	17
ER100	1"	5	50	36
ER125	1-1/4"	5	25	52
ER150	1-1/2"	5	25	68
ER200	2"	5	25	90

Dimensional Table

Cat. #	A Length	B Diameter
ER50	1.43	1.31
ER75	1.52	1.61
ER100	1.70	2.13
ER125	2.13	2.40
ER150	2.18	2.89
ER200	2.36	3.40

Malleable Iron - 3 Piece Couplings

Cat. #	Size	Unit Ctn	Std Pkg	WT/ 100
ER50M	1/2"	20	200	36
ER75M	3/4"	20	100	32
ER100M	1"	5	50	55
ER125M	1-1/4"	5	25	119
ER150M	1-1/2"	5	25	140
ER200M	2"	5	25	199
ER250M*	2-1/2"	-	5	361
ER300M*	3"	-	5	454
ER350M*	3-1/2"	-	4	637
ER400M*	4"	-	2	811

Dimensional Table

Cat. #	A Length	B Diameter
ER50M	1.43	1.31
ER75M	1.52	1.61
ER100M	1.70	2.13
ER125M	2.13	2.40
ER150M	2.18	2.89
ER200M	2.36	3.40
ER250M	2.52	4.03
ER300M	2.58	4.62
ER350M	2.65	5.35
ER400M	3.42	5.87

*Malleable Iron

Rigid IMC Conduit Fittings

AMFTGS.com

t: 800-221-5268

e: info@amftgs.com



Made in the USA Since 1946

Raintight Combination Couplings Rigid Conduit-IMC to Liquid Tight Conduit

- Reusable ferrule
- Steel, zinc plated



UL rated suitable for hazardous locations
Class I, Div. 2; Class II, Div. 1 and 2;
Class III, Div. 1 and 2; NEC 501-4(b),
502-4(a), 503-3(a)

SPEC-grade



Featuring:
EZ-Torque Compression Nut

Cat. #	Size	Uni Ctn	Std Pkg	WT/ 100
STREMT50RT	1/2"	25	250	15
STREMT75RT	3/4"	10	100	22
STREMT100RT	1"	5	50	40

AMERICAN FITTINGS Corporation



Made in the USA Since 1946

RIGID - IMC CONDUIT
Combination Coupling - Rigid to EMT
Size Range: 1/2" to 3/4"

Combination Couplings Rigid (Threaded) to EMT (Compression)

- RAIN AND CONCRETE TIGHT



SPEC-grade



Featuring:
EZ-Torque Compression Nut

Steel - Combination Coupling

Cat. #	Size	Uni Ctn	Std Pkg	WT/ 100
ETR50	1/2"	25	250	19
ETR75	3/4"	10	100	27
ETR50RT	3/4"	10	100	27
ETR75 RT	3/4"	10	100	27

Dimensional Table

Cat. #	A Nut Diameter	B Body Diameter	C Length
ETR50	.94	.73	1.15
ETR75	1.17	.93	1.25
ETR50RT	1.17	.93	1.25
ETR75 RT	1.17	.93	1.25

Rigid IMC Conduit Fittings

AMFTGS.com

t: 800-221-5268

e: info@amftgs.com