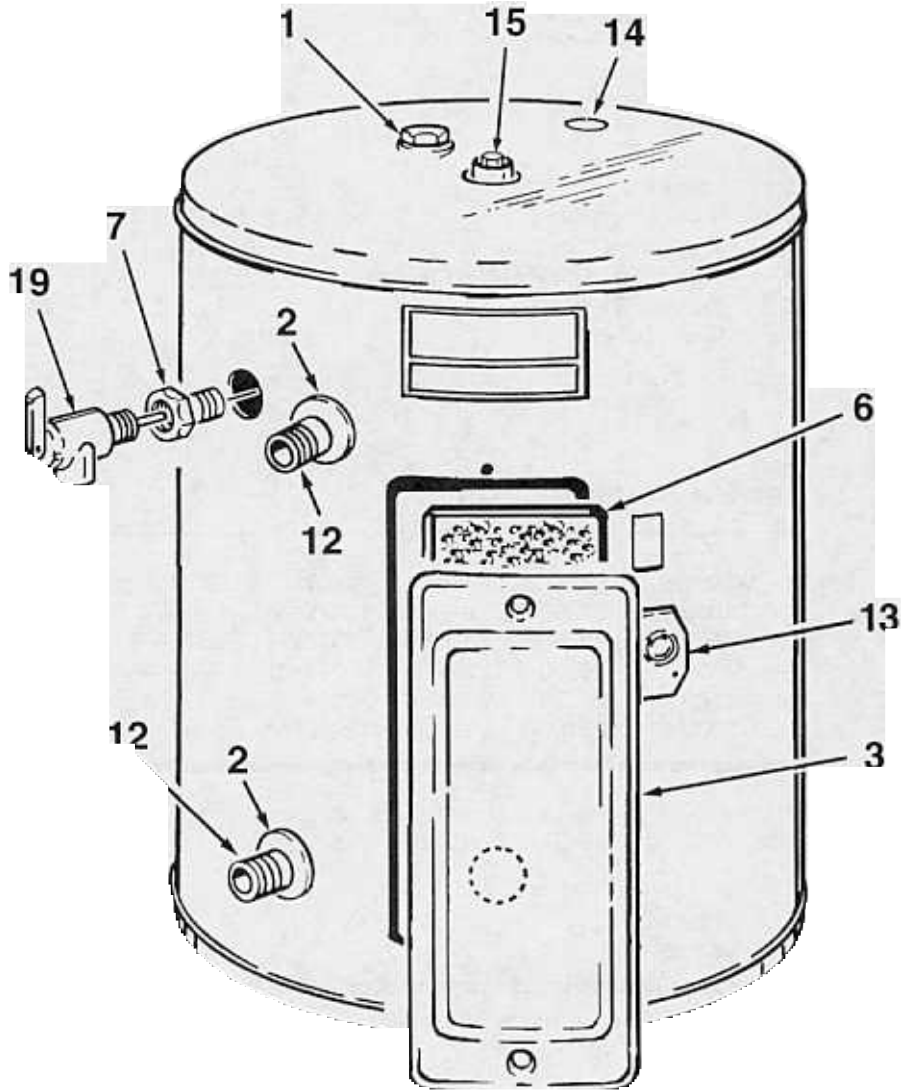


DRAIN VALVE
 (not supplied with heater)
 Part No. 26273-5



<u>Item</u>	<u>Description</u>	<u>DEL</u> <u>6</u> <u>102</u>	<u>DEL</u> <u>10</u> <u>102</u>	<u>DEL</u> <u>15</u> <u>102</u>	<u>DEL</u> <u>20</u> <u>102</u>
1	Anode, Plug	43817-11	43817-11	43817-17	43817-17
2	Collar, Pipe	20172-14(2)	20172-14(2)	20172-14(2)	20172-14(2)
3	Cover, Front	181260	181260	181260	181260
4	ELEMENT, HEATING		<u>See Element Chart Below</u>		
5	Gasket, Element	<u>42537</u>	<u>42537</u>	<u>42537</u>	<u>42537</u>
6	Opening Insulation	43307	43307	43307	34000-167
7	Fitting, Extension	-----	43231-1	43231-1	43231-1
8	*Instruction Manual LABEL	41863	41863	41863	41863
9	*Scald Warning	181138	181138	181138	181138
10	*Temperature Warning	182734	182734	182734	182734
11	Personnel Protector	182117	182117	182117	182117
12	Pipe Nipple	38469	38469-5(38469-5	38469-5
13	Plate, Knockout PLUG	43293-1	43293-1	43293-1	43293-1
14	Cap	42306-1	42306-1	42306-1	42306-1
15	Pipe	-----	92650-1	92650-1	92650-1
16	Switch, High Limit	23899-170	23899-170	23899-170	23899-170
17	Thermostat	23897-170	23897-170	23897-170	23897-170
16/17	Thermostat with HighLimit Switch	<u>40836-170</u>	<u>40836-170</u>	<u>40836-170</u>	<u>40836-170</u>
18	Bracket, Thermostat	182707	182707	182707	182707
19	Valve, Relief	<u>43151</u>	<u>76527</u>	<u>76527</u>	<u>76527</u>

SCREW-IN ELEMENTCHART

Wattage	120V	208V	240V	277V	480V
1000	23790-2	-----	23791-2	-----	-----
1500	23790-4	23982-4	23791-4	23782-4	-----
2000	23790-5	23982-5	23981-5	-----	-----
2500	23790-6	23982-6	23981-6	-----	23783-6
3000	23790-7	23982-7	23981-7	-----	-----

* Not Illustrated

Part numbers underlined are recommended stock items for emergency replacement.
Standard hardware items may be purchased locally.