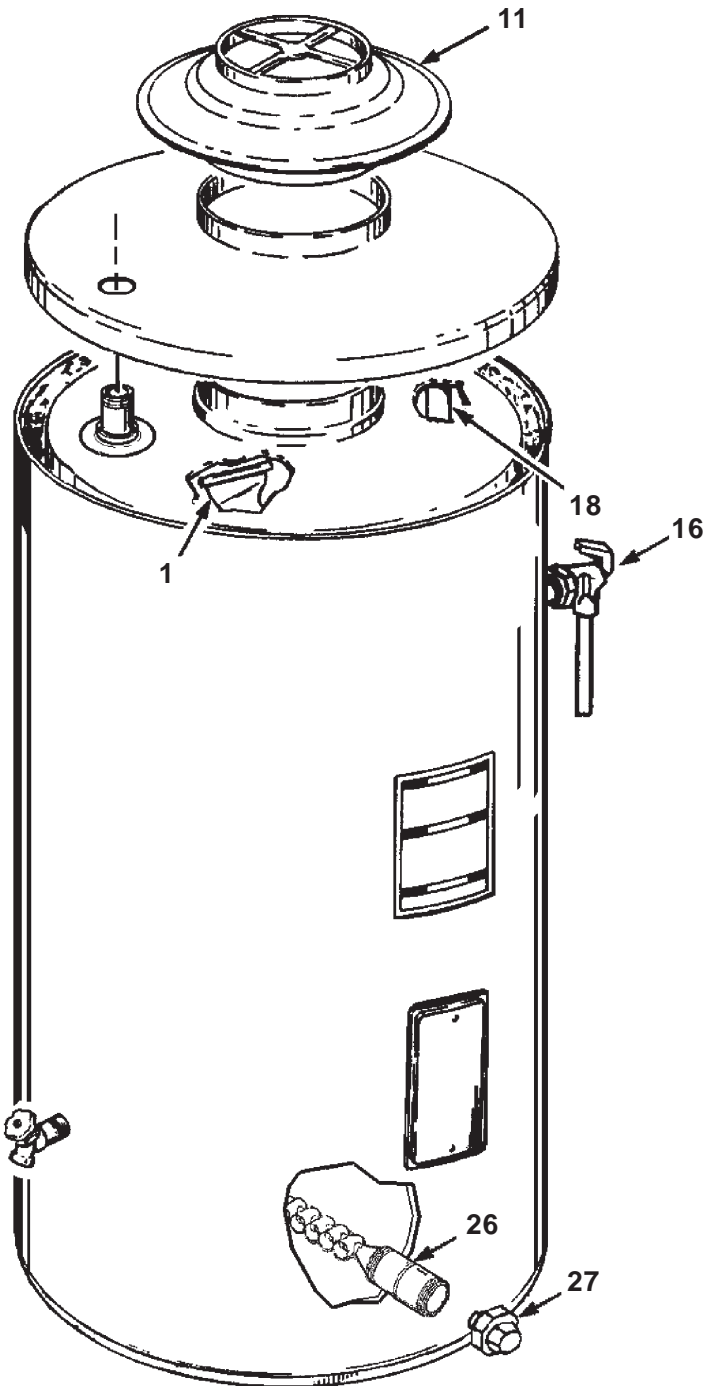
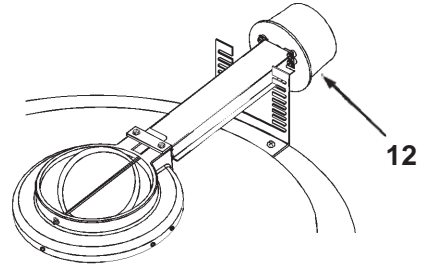


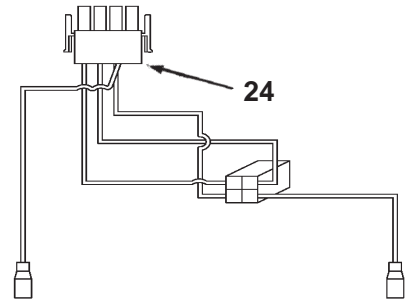
**COMMERCIAL TANK TYPE WATER HEATER
REPLACEMENT PARTS LIST
MODELS BTR(C) 120 THRU 400A:
STANDARD AND ASME (A)
SERIES 118, 119**



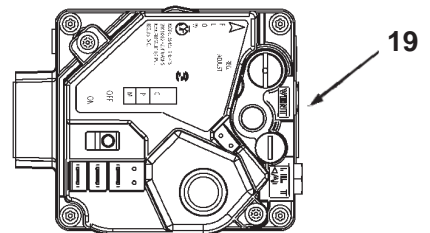
Damper Drive Assembly



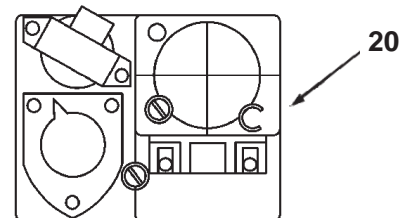
Harness - Control

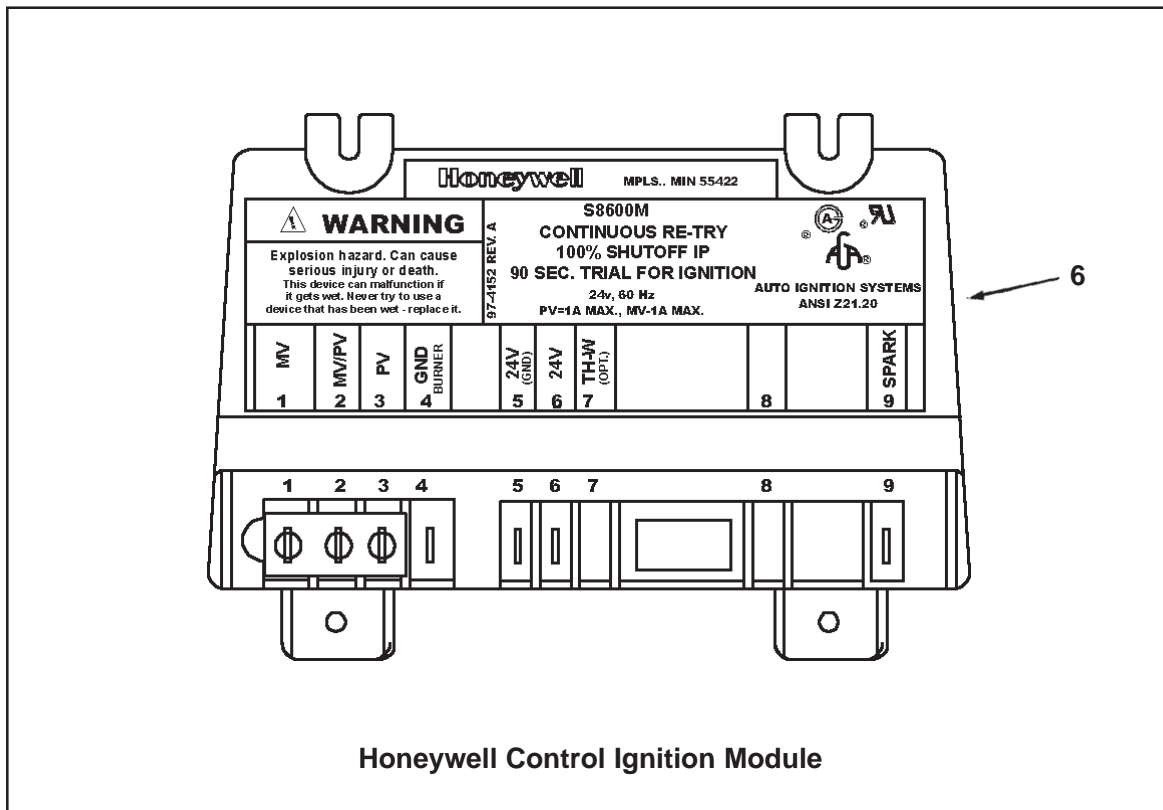
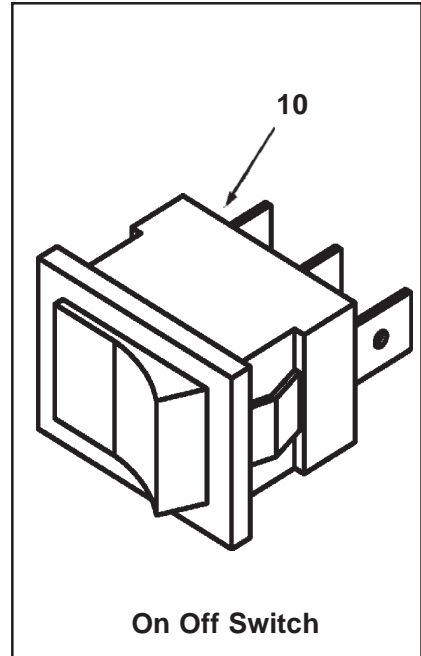
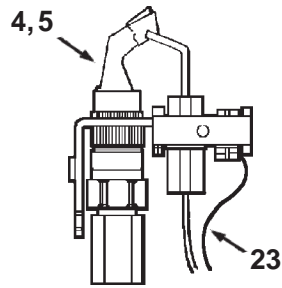
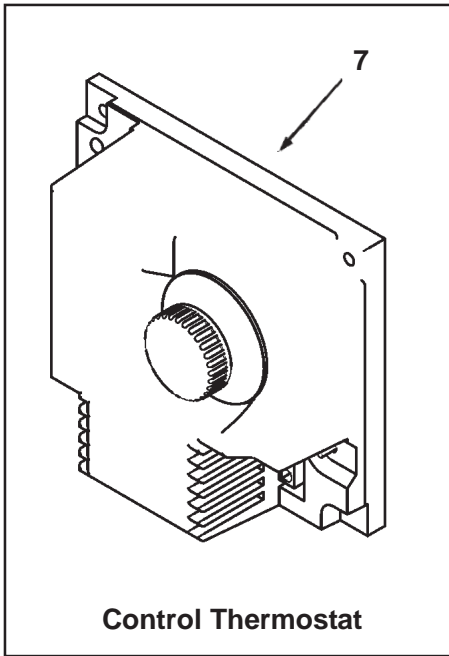


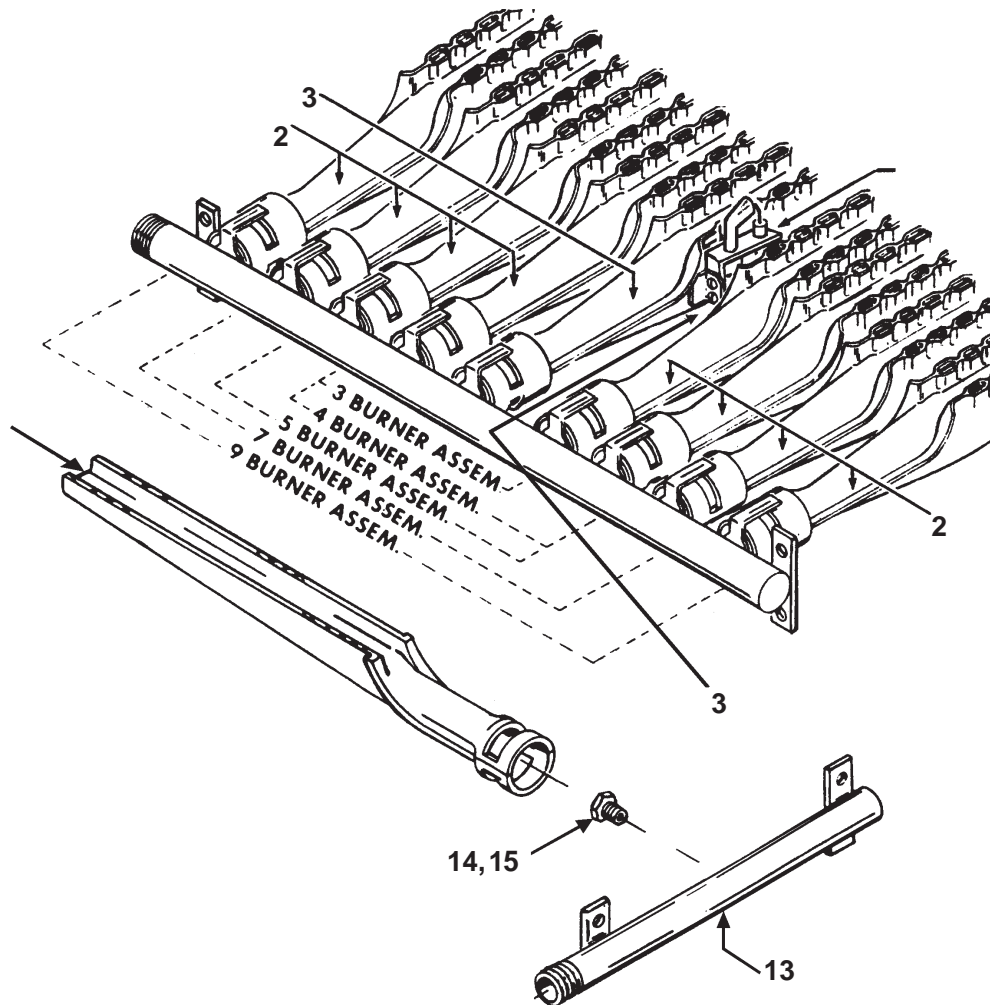
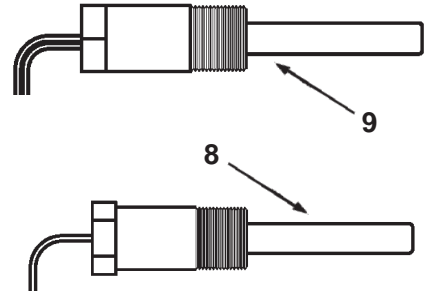
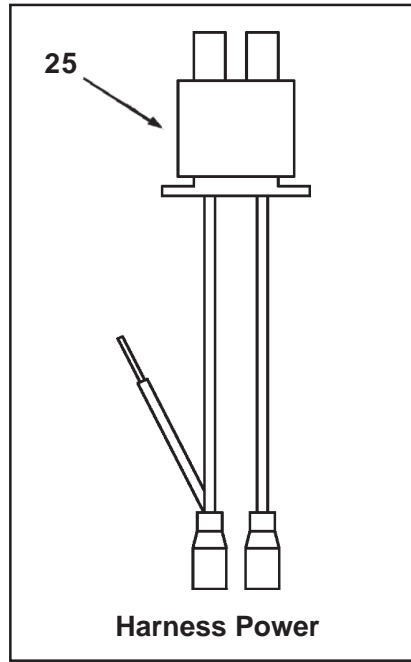
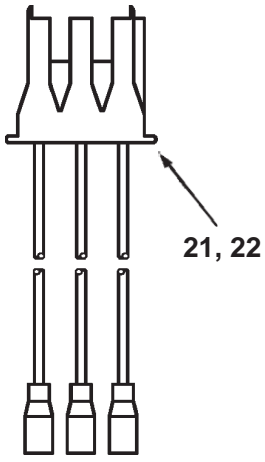
Gas Valve - Natural



Gas Valve - LP







ITEM	PARTS DESCRIPTION	BTR 120	BTR 154	BTR 180	BTR 197	BTR 198
1	Flue Baffle	9005288	9005284	9005823	9005289	9005289
2	Main Burner	9005889	9005889	9005889	9005889	9005889
3	Main Burner w/Pilot Bracket	9005291	9005291	9005291	9005291	9005291
4	Pilot Burner, Natural	9006060	9006060	9006060	9006060	9006060
5	Pilot Burner, LP	9004542	9004542	9004542	9004542	9004542
6	Control, Ignition Module	9004544	9004544	9004544	9004544	9004544
7	Control Thermostat	9004570	9004570	9004570	9004570	9004570
8	Lower Probe	9006048	9006048	9006048	9006048	9006048
9	Upper Probe	9006047	9006047	9006047	9006047	9006047
10	On/OffSwitch	9005929	9005929	9005929	9005929	9005929
11	Drafthood	9006045	9006061	9005934	9005934	9005934
12	Damper Drive Assembly	9002537	9002537	9002537	9002537	9002537
13	Manifold	9006049	9006049	9006062	9006062	9006062
14	Main Burner Orifice - Natural	9005896	9005896	9006070	9005896	9005896
15	Main Burner Orifice - LP	9005896	9006073	9006075	9005896	9005896
16	T&P Relief Valve	9005899	9005899	9005899	9005899	9005899
17	Pilot Tubing	9003925	9003925	9003925	9003925	9003925
18	Inlet Tube	9006046	9006044	9006046	9006044	9006044
19	Gas Valve - Natural	9006055	9006055	9006055	9006055	9006055
20	Gas Valve - LP	9006059	9006059	9006059	9006059	9006059
21	Harness-Gas Valve Natural	9006056	9006056	9006056	9006056	9006056
22	Harness - Gas Valve LP	9006067	9006067	9006067	9006067	9006067
23	Ground Wire	9004991	9004991	9004991	9004991	9004991
24	Harness - Control	9006057	9006057	9006057	9006057	9006057
25	Harness - Power	9006058	9006058	9006058	9006058	9006058
26	The Eliminator	9006051	9006051	9006050	9006050	9006050
27	Galvanized Pipe Union, 1-1/2"	9006053	9006053	9006053	9006053	9006053

ITEM	PARTS DESCRIPTION	BTRC 120	BTRC 154	BTRC 180	BTRC 197	BTRC 198
1	Flue Baffle	9005288	9005284	9006077	9005289	9005289
2	Main Burner	9005889	9005889	9005889	9005889	9005889
3	Main Burner w/Pilot Bracket	9005291	9005291	9005291	9005291	9005291
4	Pilot Burner, Natural	9006060	9006060	9006060	9006060	9006060
5	Pilot Burner, LP	9004542	9004542	9004542	9004542	9004542
6	Control, Ignition Module	9004544	9004544	9004544	9004544	9004544
7	Control Thermostat	9004570	9004570	9004570	9004570	9004570
8	Lower Probe	9006048	9006048	9006048	9006048	9006048
9	Upper Probe	9006047	9006047	9006047	9006047	9006047
10	On/OffSwitch	9005929	9005929	9005929	9005929	9005929
11	Drafthood	9006045	9006061	9006061	9006061	9006061
12	Damper Drive Assembly	9002537	9002537	9002537	9002537	9002537
13	Manifold	9006049	9006049	9006062	9006062	9006062
14	Main Burner Orifice - Natural	9005896	9005896	9006070	9005896	9005896
15	Main Burner Orifice - LP	9005896	9006073	9006075	9005896	9005896
16	T&P Relief Valve	9005899	9005899	9005899	9005899	9005899
17	Pilot Tubing	9003925	9003925	9003925	9003925	9003925
18	Inlet Tube	9006046	9006044	9006046	9006044	9006044
19	Gas Valve - Natural	9006055	9006055	9006055	9006055	9006055
20	Gas Valve - LP	9006059	9006059	9006059	9006059	9006059
21	Harness-Gas Valve Natural	9006056	9006056	9006056	9006056	9006056
22	Harness - Gas Valve LP	9006067	9006067	9006067	9006067	9006067
23	Ground Wire	9004991	9004991	9004991	9004991	9004991
24	Harness - Control	9006057	9006057	9006057	9006057	9006057
25	Harness - Power	9006058	9006058	9006051	9006051	9006051
26	The Eliminator	9006051	9006051	9006050	9006050	9006050
27	Galvanized Pipe Union, 1-1/2"	9006053	9006053	9006053	9006053	9006053

ITEM	PARTS DESCRIPTION	BTR 199	BTR 200/A	BTR 250/A	BTR 251/A
1	Flue Baffle	9005823	9005293	9005288	9005288
2	Main Burner	9005889	9005889	9005889	9005889
3	Main Burner w/Pilot Bracket	9005291	9005291	9005291	9005291
4	Pilot Burner, Natural	9006060	9006060	9006060	9006060
5	Pilot Burner, LP	9004542	9004542	9004542	9004542
6	Control, Ignition Module	9004544	9004544	9004544	9004544
7	Control Thermostat	9004570	9004570	9004570	9004570
8	Lower Probe	9006048	9006048	9006048	9006048
9	Upper Probe	9006047	9006047	9006047	9006047
10	On/OffSwitch	9005929	9005929	9005929	9005929
11	Drafhood	9005934	9005934	9005926	9005926
12	Damper Drive Assembly	9002537	9002537	9002539	9002539
13	Manifold	9006062	9006062	9006062	9006063
14	Main Burner Orifice - Natural	9005896	9005896	9005896	9006069
15	Main Burner Orifice - LP	9005896	9005896	9006072	9006075
16	T&P Relief Valve	9005899	9005899	9005903	9005903
17	Pilot Tubing	9003925	9003925	9003925	9003925
18	Inlet Tube	9006046	9006046	9006044	N/A
19	Gas Valve - Natural	9006055	9006055	9006055	9006055
20	Gas Valve - LP	9006059	9006059	9006059	9006059
21	Harness-Gas Valve Natural	9006056	9006056	9006056	9006056
22	Harness - Gas Valve LP	9006067	9006067	9006067	9006067
23	Ground Wire	9004991	9004991	9004991	9004991
24	Harness - Control	9006057	9006057	9006057	9006057
25	Harness - Power	9006058	9006058	9006058	9006058
26	The Eliminator	9006050	9006054	9006054	9006052
27	Galvanized Pipe Union, 1-1/2"	9006053	9006065	9006065	9006053

ITEM	PARTS DESCRIPTION	BTRC 199	BTRC 200/A	BTRC 250/A	BTRC 251/A
1	Flue Baffle	9006077	9005293	9005288	9005288
2	Main Burner	9005889	9005889	9005889	9005889
3	Main Burner w/Pilot Bracket	9005291	9005291	9005291	9005291
4	Pilot Burner, Natural	9006060	9006060	9006060	9006060
5	Pilot Burner, LP	9004542	9004542	9004542	9004542
6	Control, Ignition Module	9004544	9004544	9004544	9004544
7	Control Thermostat	9004570	9004570	9004570	9004570
8	Lower Probe	9006048	9006048	9006048	9006048
9	Upper Probe	9006047	9006047	9006047	9006047
10	On/OffSwitch	9005929	9005929	9005929	9005929
11	Drafhood	9006061	9005934	9005926	9005926
12	Damper Drive Assembly	9002537	9002537	9002539	9002539
13	Manifold	9006062	9006062	9006062	9006063
14	Main Burner Orifice - Natural	9005896	9005896	9005896	9006069
15	Main Burner Orifice - LP	9005896	9005896	9006072	9006075
16	T&P Relief Valve	9005899	9005899	9005903	9005903
17	Pilot Tubing	9003925	9003925	9003925	9003925
18	Inlet Tube	9006046	9006046	9006044	N/A
19	Gas Valve - Natural	9006055	9006055	9006055	9006055
20	Gas Valve - LP	9006059	9006059	9006059	9006059
21	Harness-Gas ValveNatural	9006056	9006056	9006056	9006056
22	Harness - Gas Valve LP	9006067	9006067	9006067	9006067
23	Ground Wire	9004991	9004991	9004991	9004991
24	Harness - Control	9006057	9006057	9006057	9006057
25	Harness - Power	9006058	9006058	9006058	9006058
26	The Eliminator	9006051	9006054	9006054	9006052
27	Galvanized Pipe Union, 1-1/2"	9006053	9006065	9006065	9006053

ITEM	PARTS DESCRIPTION	BTR 275/A	BTR 305/A	BTR 365/A	BTR 400/A
1	Flue Baffle	9005152	9005288	9005289	9005294
2	Main Burner	9005889	9005912	9005889	9005912
3	Main Burner w/Pilot Bracket	9005291	9005291	9005291	9005291
4	Pilot Burner, Natural	9006060	9006060	9006060	9006060
5	Pilot Burner, LP	9004542	9004542	9004542	9004542
6	Control, Ignition Module	9004544	9004544	9004544	9004544
7	Control Thermostat	9004570	9004570	9004570	9004570
8	Lower Probe	9006048	9006048	9006048	9006048
9	Upper Probe	9006047	9006047	9006047	9006047
10	On/OffSwitch	9005929	9005929	9005929	9005929
11	Draffhood	9005926	9005926	9005926	9005926
12	Damper Drive Assembly	9002539	9002539	9002539	9002539
13	Manifold	9006062	9006063	9006064	9006064
14	Main Burner Orifice - Natural	9006068	9005896	9005896	9005896
15	Main Burner Orifice - LP	9006071	9006074	9005896	9006074
16	T&P Relief Valve	9005903	9005903	9005903	9005903
17	Pilot Tubing	9003925	9003925	9003925	9003925
18	Inlet Tube	9006044	N/A	9006044	9006044
19	Gas Valve - Natural	9006055	9006066	9006066	9006066
20	Gas Valve - LP	9006059	9004528	9004528	9004528
21	Harness-Gas Valve Natural	9006056	9006056	9006056	9006056
22	Harness - Gas Valve LP	9006067	9006067	9006067	9006067
23	Ground Wire	9004991	9004991	9004991	9004991
24	Harness - Control	9006057	9006057	9006057	9006057
25	Harness - Power	9006058	9006058	9006058	9006058
26	The Eliminator	9006054	9006052	9006050	9006054
27	Galvanized Pipe Union, 1-1/2"	9006065	9006053	9006053	9006065

ITEM	PARTS DESCRIPTION	BTRC 275/A	BTRC 305/C	BTRC 365/A	BTRC 400/A
1	Flue Baffle	9005152	9005288	9005152	9005294
2	Main Burner	9005889	9005912	9005889	9005912
3	Main Burner w/Pilot Bracket	9005291	9005291	9005291	9005291
4	Pilot Burner, Natural	9006060	9006060	9006060	9006060
5	Pilot Burner, LP	9004542	9004542	9004542	9004542
6	Control, Ignition Module	9004544	9004544	9004544	9004544
7	Control Thermostat	9004570	9004570	9004570	9004570
8	Lower Probe	9006048	9006048	9006048	9006048
9	Upper Probe	9006047	9006047	9006047	9006047
10	On/OffSwitch	9005929	9005929	9005929	9005929
11	Draffhood	9005926	9005926	9005926	9005926
12	Damper Drive Assembly	9002539	9002539	9002539	9002539
13	Manifold	9006062	9006063	9006064	9006064
14	Main Burner Orifice - Natural	9006068	9005896	9005896	9005896
15	Main Burner Orifice - LP	9006071	9006074	9005896	9006074
16	T&P Relief Valve	9005903	9005903	9005903	9005903
17	Pilot Tubing	9003925	9003925	9003925	9003925
18	Inlet Tube	9006044	N/A	N/A	9006044
19	Gas Valve - Natural	9006055	9006066	9006066	9006066
20	Gas Valve - LP	9006059	9004528	9004528	9004528
21	Harness-Gas Valve Natural	9006056	9006056	9006056	9006056
22	Harness - Gas Valve LP	9006067	9004528	9004528	9004528
23	Ground Wire	9004991	9004991	9004991	9004991
24	Harness - Control	9006057	9006057	9006057	9006057
25	Harness - Power	9006058	9006058	9006058	9006058
26	The Eliminator	9006054	9006052	9006052	9006054
27	Galvanized Pipe Union, 1-1/2"	9006065	9006053	9006053	9006065

NOTES

A.O. Smith
Water Heaters

A.O. Smith Water Heater Parts Fulfillment

125 Southeast Parkway
Franklin, TN 37068
1-800-433-2545
www.hotwater.com