

**POWERTITE[®] 200 AMP PIN & SLEEVE RECEPTACLES,
CABLE CONNECTORS AND PLUGS: NEMA 4X.**

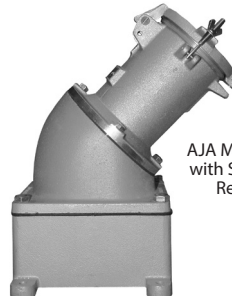
600 VOLT AC, 250 VOLT DC. WIRE RECESS DIAMETER: .687". WIRE SIZE RANGE: 250MCM - 4/0 AND 3/0 - #4.

Applications

- Designed to supply power to portable or fixed electrical equipment such as motor generator units, welders, pumps, compressors and similar apparatus.
- Ideal for use on shipping docks, ports, and other "ship to shore" applications.
- Suitable for use in locations where a NEMA 4X enclosure is required.
- Rough usage construction
- Available in two grounding styles:
Style 1 (3W, 3P and 4W, 4P) shell grounding only.
Style 2 (2W, 3P and 3W, 4P) Shell and extra pole grounding.

Compliances

- UL Standards 1682.
- CSA Specifications C22.2 No 42.



AJA Mounting Box with Spring Cover Receptacle



AJA Mounting Box with Clamp Door Receptacle



Plug Only*



Connector Body Only*



Complete Connector*

* Plug is NEMA 4X when clamp is fully tightened.

POWERTITE[®] TECHNICAL DATA:

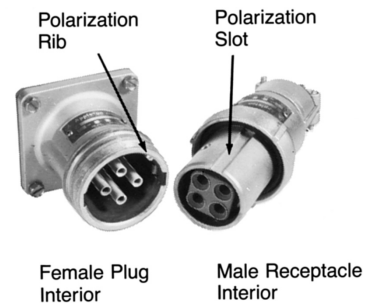
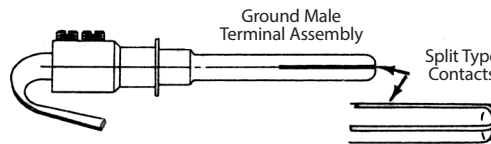
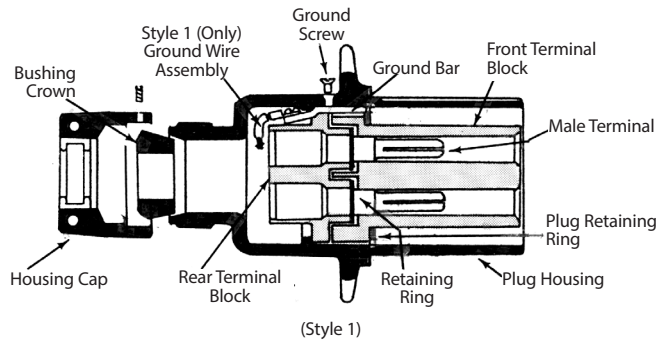
REVERSE SERVICE, POLARIZATION, PIN AND SLEEVE DESIGN.

Applications

- Designed to supply power to portable or fixed electrical equipment such as motor generators units, welders, pumps, compressors and similar apparatus.
- Ideal for use on shipping docks, ports, and other "ship to shore" applications.
- Suitable for use in locations where a weatherproof enclosure is required.
- Rough usage construction
- Available in two grounding styles:
Style 1 (3W, 3P and 4W, 4P) shell grounding only.
Style 2 (2W, 3P and 3W, 4P) Shell and extra pole grounding.

Compliances

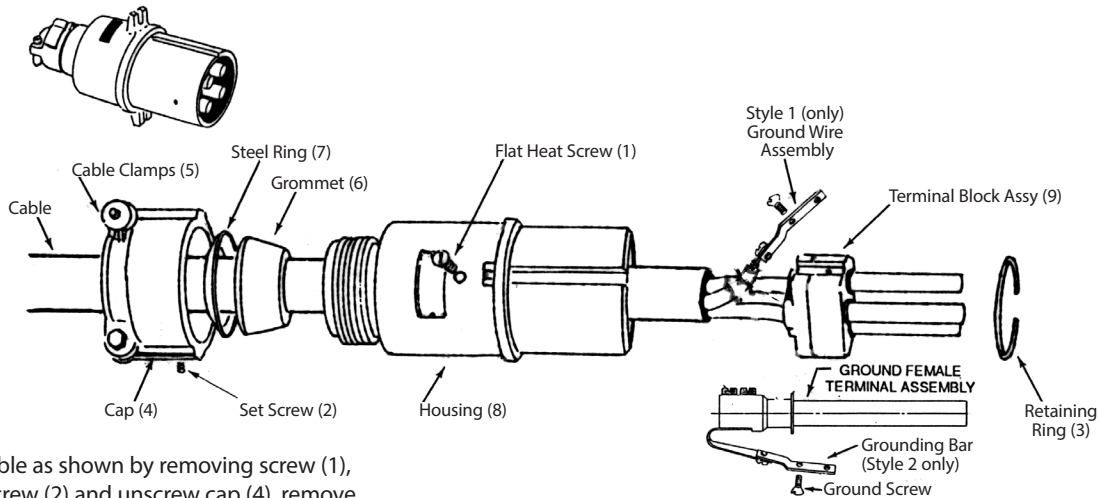
- UL Standards 1682.
- CSA Specifications C22.2 No 42.



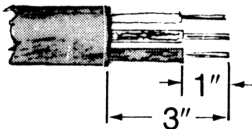
Note: When ordering Reverse Service add - RS after catalog number.

POWERTITE® 200 AMP PIN & SLEEVE PLUGS: NEMA 4X.

600 VOLT AC, 250 VOLT DC. WIRE RECESS DIAMETER: .687". WIRE SIZE RANGE: 250MCM - 4/0 AND 3/0 - #4.



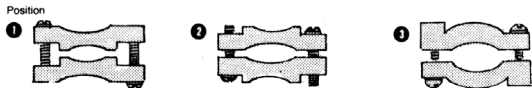
1. Disassemble as shown by removing screw (1), loosen setscrew (2) and unscrew cap (4), remove retaining ring (3) and terminal block (9).



2. Strip the proper cable as shown: (also applies to connector and receptacle).
3. Prepare cable clamp (5) and select the proper grommet (6) as shown:



Reversible cable clamp (just loosen screws and flip over) permits wide cable range.



4. Slide cap (4) with clamps (5), steel ring (7), proper grommet (6) and housing (8) over the cable.
5. Insert Wires into the proper terminals and tighten set screws securely.
6. Slide terminal block assembly (9) into the housing (8) aligning the hole in the ground bar with the hole in the housing. Replace the flat head screw (1) and tighten securely.

WARNING: A wire schematic must be followed so the same color wire is always put into the same numbered contact openings in all plugs, connectors and receptacles in the system. This will insure the correct polarity for the system and eliminates possibilities for equipment damage and/or personal injuries.

7. Place the grommet (6) and steel ring (7) in the back of the housing and tighten the cap (4) until grommet (6) is tightened around the cable and tighten the setscrew (2). Tighten the clamps (5) screw securely.

Plug and Connector Cable Dia. Range	Cable Dia.	Grommet I.D.	Clamp Position	Clamp No.
.875 to 1.906	.875 to 1.062	1-1/32	-1-	304350
	1.062 to 1.281	1-9/32		
	1.281 to 1.561	1-19/32	-2-	304350
	1.562 to 1.906	1-29/32		
1.875 to 2.500	1.875 to 2.187	2-3/16	-3-	304045
	2.187 to 2.500	2-1/2		

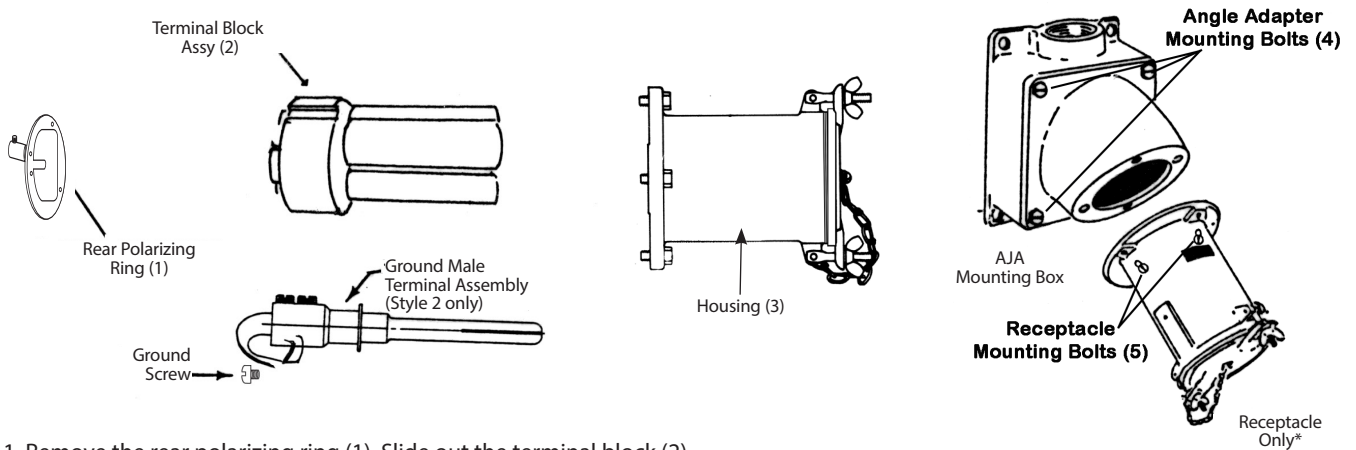
Terminal Recess	Conductor Size	Type Conductor
0.687 Dia.	250 MCM	General wires
	4/0	Flexible & extra flexible cable
* 0.687 Dia. with Stainless Pressure Plate Included (see page 5)	3/0 to 1/0	Flexible & extra flexible cable
* Option: Cat. No. PTK200WA3 and PTK200WA4 (see page 5)		
0.687 Dia. with Copper Pressure Plate	#1 to #4	Flexible & extra flexible cable

Reference Guide Of Horsepower Ratings For Use With Single Motor Application

For disconnect use only - not for current rupture					
Phase Motor	Wire/Pole	Motor Horsepower			
		120 VAC	240 VAC	480 VAC	600 VAC
1-Phase	2W, 3P		60	120	160
3-Phase	3W, 3P; 3W, 4P or 4W, 4P		60	120	160
For emergency interrupting - maximum horsepower					
1-Phase	2W, 3P	15	30	40	40
3-Phase	3W, 3P; 3W, 4P or 4W, 4P	20	40	50	50

POWERTITE® 200 AMP PIN & SLEEVE RECEPTACLES: NEMA 4X.

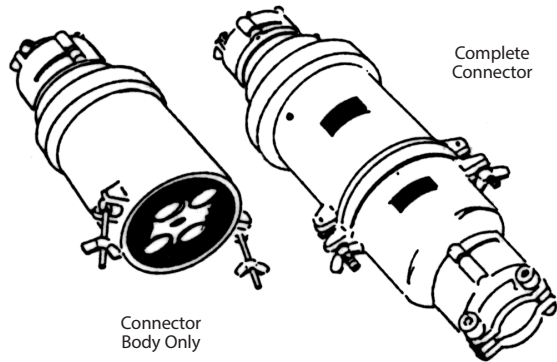
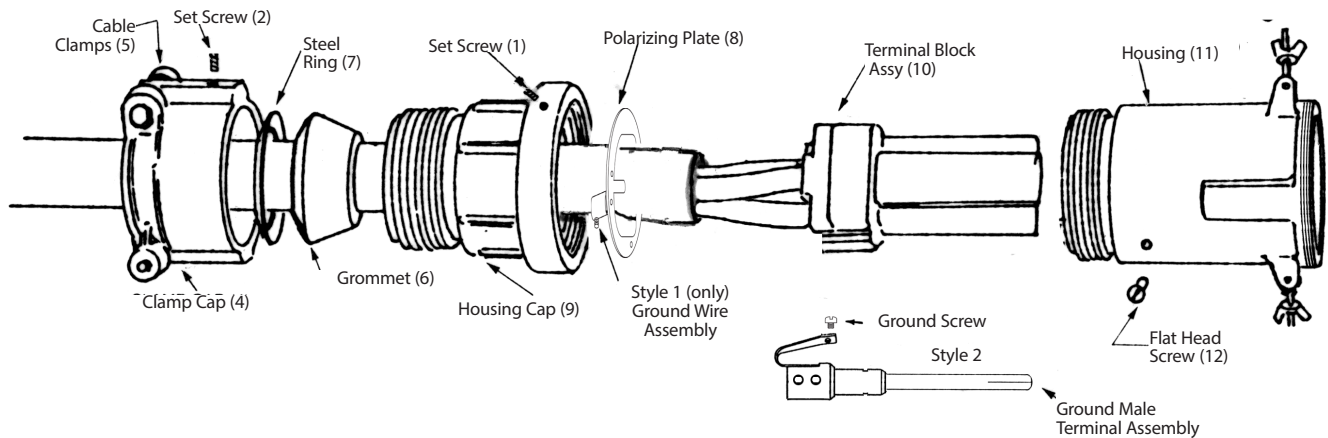
600 VOLT AC, 250 VOLT DC. WIRE RECESS DIAMETER: .687". WIRE SIZE RANGE: 250MCM - 4/0 AND 3/0 - #4.



1. Remove the rear polarizing ring (1). Slide out the terminal block (2).
2. Follow paragraphs No. 2 and No. 5 for the plugs.
3. After wiring, slide terminal block assembly (2) in the back of housing (3). Replace the polarizing ring (1).
4. Tighten the angle adapter mounting bolts (4) to 50 to 70 in.-lbs. torque.
5. Tighten the receptacle mounting bolts (5) to 120 to 150 in.-lbs. torque.

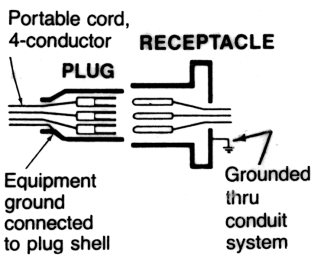
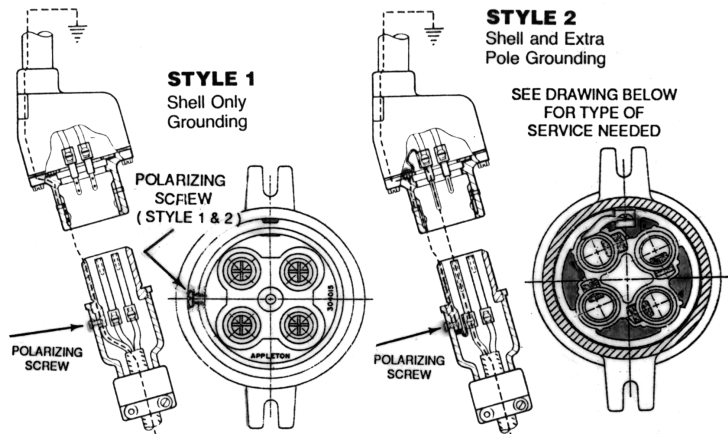
POWERTITE® 200 AMP PIN & SLEEVE CONNECTOR: NEMA 4X.

250 VOLT DC, 600 VOLT AC. WIRE RECESS DIAMETER: .687". WIRE SIZE RANGE: 250MCM - 4/0 AND 3/0 - #4.



1. Disassemble, as shown by loosening setscrews (1) and (2), unscrew clamp cap (4) and housing cap (9), remove polarizing plate (8), flat head screw (12) and terminal block assembly (10).
2. Follow instructions shown on paragraphs No. 2 and No. 3 for the plugs.
3. Slide clamp cap (4), steel ring (7), proper grommet (6), housing cap (9) and polarizing plate (8) over the cable.
4. Follow instructions shown on paragraph No. 5 for the plugs.
5. Slide terminal block assembly (10) into the housing (11) aligning the hole in the ground bar with hole in the housing, Put in flat head screw (12), tighten securely and put in polarizing plate (8).
6. Tighten housing cap (9) on the housing (11) and tighten setscrew (1) securely.
7. Place the grommet (6) and steel ring (7) on the back of housing cap (9), tighten the clamp cap (4) until the grommet (6) is tightened around the cable and tighten the setscrew (2) and cable clamps (5) securely.

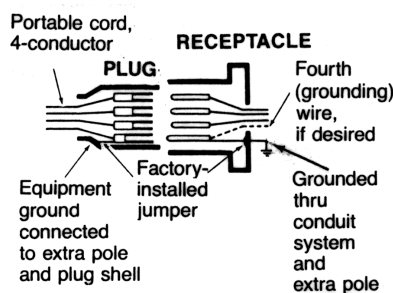
POWERTITE® TECHNICAL DATA:
GROUNDING STYLES, MAXIMUM WIRE SIZES.



PLUG - Equipment grounding conductor is wired directly to a solderless lug which is connected to the plug housing with a pressure connector. All terminals are "current carrying."

RECEPTACLE - Two detent spring clips engage the grounded plug housing on plug insertion - grounded plug shell makes contact with receptacle ground spring before line and load poles are engaged. Grounding path is maintained until after current-carrying contacts disengage. All terminals are "current carrying."

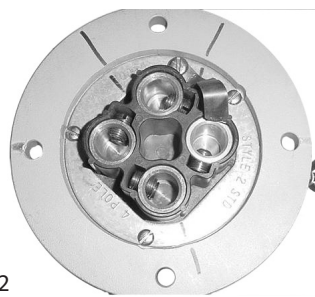
Standard Service



PLUG - Equipment grounding conductor is not only connected to the solderless lug in the plug housing, but also to an extra grounding pole. Grounding pole has copper alloy grounding jumper strap that connects to plug housing.

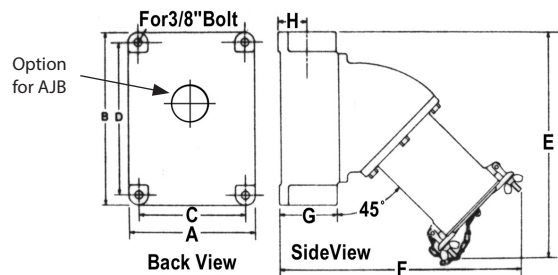
RECEPTACLE - Two detent spring clips engage the grounded plug housing on plug insertion. Jumper from extra grounding pole is electronically connected to a screw on receptacle housing. Longer grounding pole "makes first and breaks last."

Reverse Service



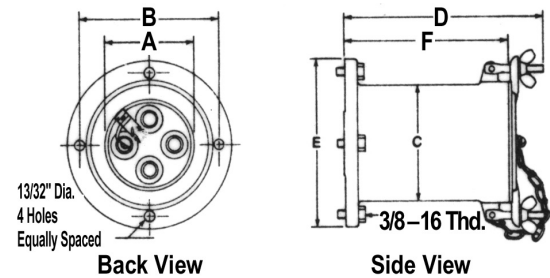
Style 2
 Shell and Extra
 Pole Grounding

DIMENSIONS:
 POWERTITE® 200 AMP PIN & SLEEVE RECEPTACLES,
 PLUGS, CABLE CONNECTORS, AND MOUNTING BOXES.



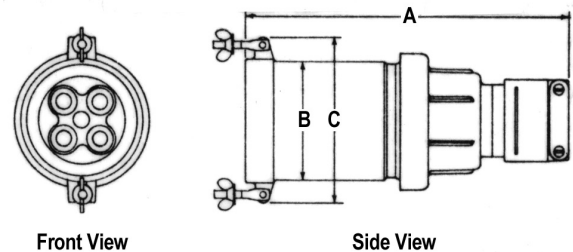
Receptacles Mounted on AJA and AJC Boxes

A	B	C	D	E	F	G	H
8.00	10.75	6.75	9.50	14.00	15.25	3.75	1.88



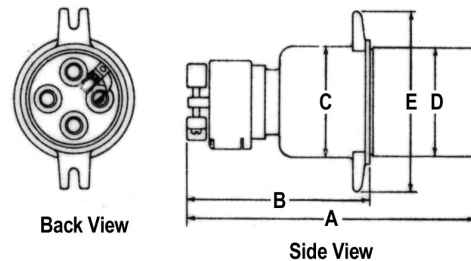
Receptacle

No. Poles	A	B	C	D	E	F
3	3.25	5.63	4.19	8.00	6.63	6.56
4	3.63	5.63	4.56	8.00	6.63	6.56



Connector Body

No. Poles	A	B	C
3	13.00	4.19	5.38
4	13.00	4.56	5.75



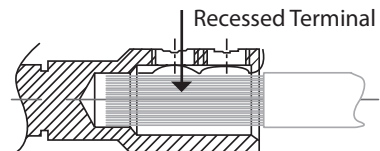
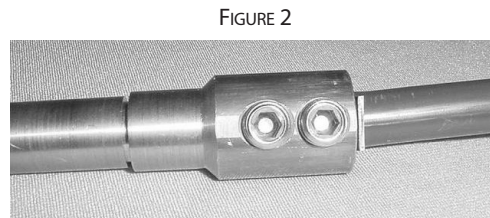
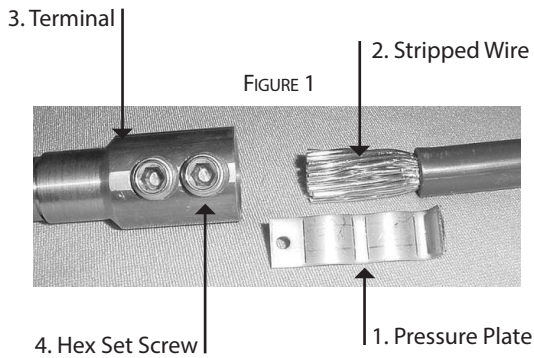
Plug

No. Poles	A	B	C	D	E
3	11.94	7.81	3.81	3.75	6.44
4	11.94	7.81	4.19	4.13	6.81

POWERTITE® 200 AMP PRESSURE PLATE.

FOR 3/0, 2/0 AND 1/0 WIRE SIZE* WITH RECESSED TERMINAL ONLY

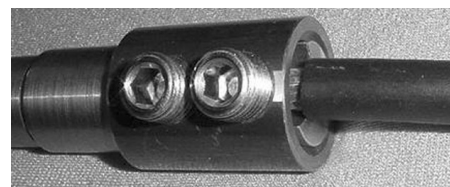
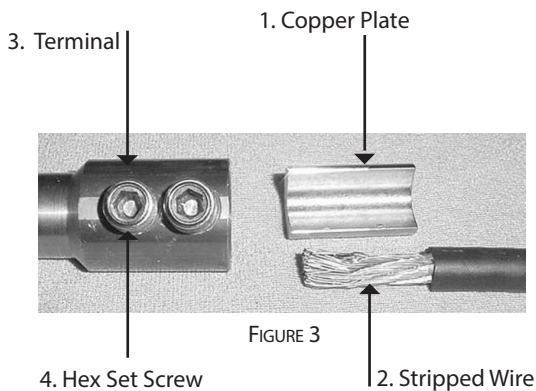
1. Prepare components as shown in figure 1.
2. Insert stripped end of wire into terminal.
3. Insert pressure plate into terminal so that set screws, pressure plate and wire are aligned (figure 2).
4. Tighten set screw securely (80-100 in-lbs).



OPTIONAL ACCESSORIES FOR WIRE SIZE* #1 TO #4 - SPECIAL APPLICATION

CATALOG NUMBER PTK200WA3 (3 PLATES) AND PTK200WA4 (4 PLATES)

1. Prepare components as shown in figure 3.
2. Insert copper plate into terminal.
3. Insert stripped end of wire into terminal so that set screws, wire and copper plate are aligned (figure 4).
4. Tighten set screw securely (50-60 in-lbs).



* Caution: Check National Electrical Code for proper wire size and application.

OPTIONAL ACCESSORIES FOR POWERTITE® 200 AND 400 AMP PIN & SLEEVE RECEPTACLES

INSTALLATION INSTRUCTIONS FOR CATALOG NUMBERS:
PTLOCK2004 - POWERTITE 200 AMP 3 & 4 POLE LOCKING KIT
PTLOCK4004 - POWERTITE 400 AMP 4 POLE LOCKING KIT

1. With both wing nuts fully tightened, loosen the RIGHT wing nut that secures the receptacle cover ¼ turn and position both wing nuts as shown in Figure 1.

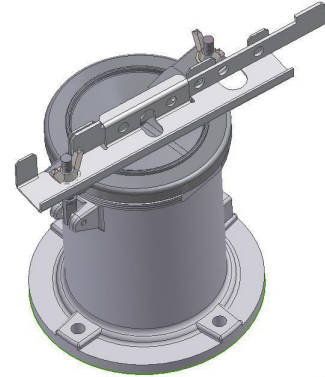


Figure 1

2. Slide the locking bar to the right and slip the locking bracket under the left wing nut and over the flat washer.

3. Slide the locking bar to the left side.

4. Slip the locking bracket under the right wing nut and over the flat washer as shown in Figure 2. Tighten the wing nut ¼ turn until it is parallel with the locking bracket

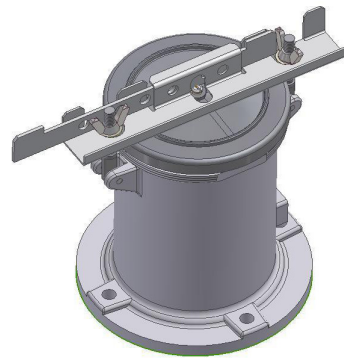


Figure 2

5. Slide the locking bar in place until it is flush with both ends of the locking bracket as shown in Figure 3.

6. Install padlock(s) in one or more of the five 11/32" (8.9mm) padlock holes provided.

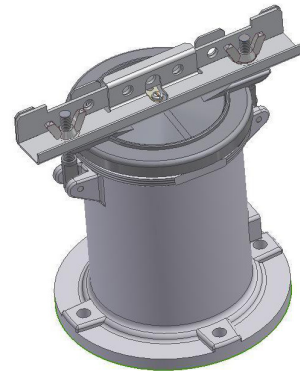


Figure 3

200 AMP GROUND LUG FOR STYLE 1 RECEPTACLE

To Assemble Grounding Lug

1. Locate threaded hole on polarizing plate (1).
2. Insert the brass screw (3) through the top of lug (2).
3. Line-up edge of plate (1) with flat on lug (2).
4. Thread screw into plate until tight.
5. Thread set screw (4) into lug (2).

To Connect Ground Wire To Lug

1. Prepare wire by stripping 3/4" from the end of the wire (wire size range: #2-4/0).
2. Loosen the set screw enough to fit the wire in the lug.
3. Tighten set screw securely (50-60 in-lbs).

