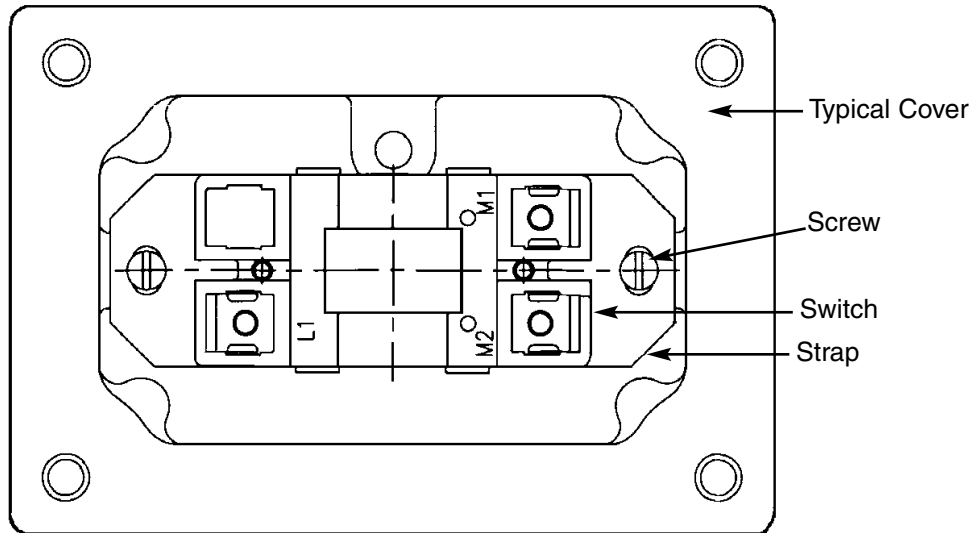
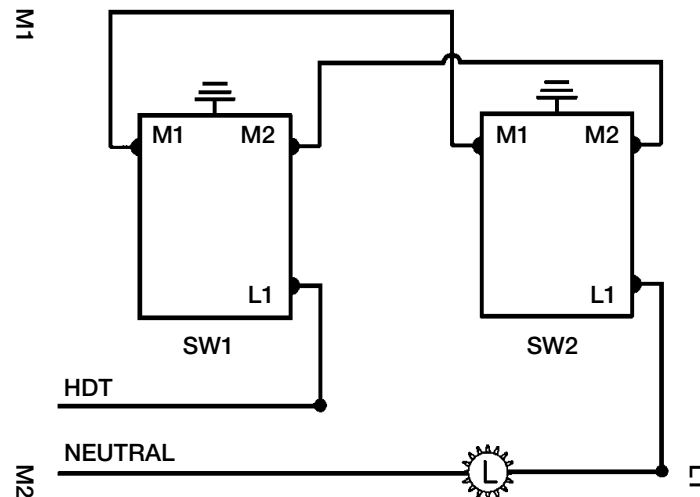


Single, Double & 3-Way Toggle Switch

Align the holes of the strap with the holes of the cover.
Use two screws to mount the switch onto the cover.



For the 3-way switch, see figure below for wiring details.



CAUTION:
USE 12 AWG COPPER CONDUCTORS ONLY. INSERT THE BARE WIRE CONDUCTOR(S) UNDER THE TERMINAL CLAMP AND SECURELY TIGHTEN THE SCREW(S). NOTE: DO NOT EXCEED 35 IN-LBS. OF TORQUE.