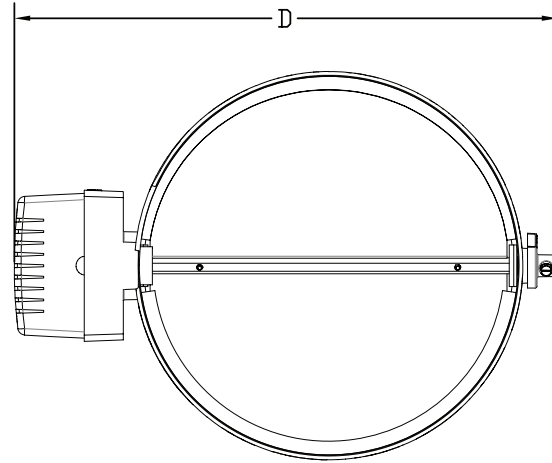
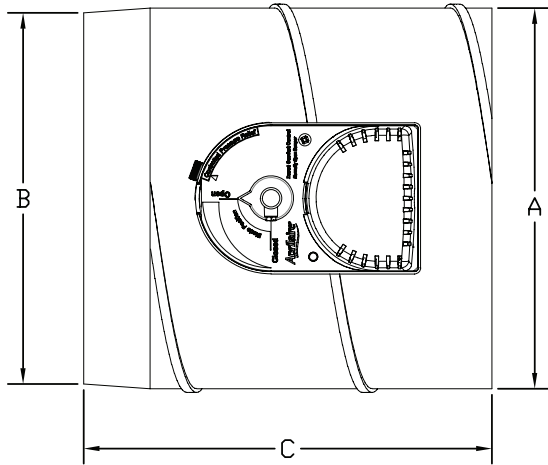


Project: _____
 Architect: _____
 Contractor: _____
 Suppliers: _____

Dealer: _____
 Engineer: _____
 Location: _____
 Date: _____



Part #	Size	A	B	C	D	Shipping Weight
6606	6"	6.03" (153 mm)	5.77" (147 mm)	10.75" (273 mm)	10.38" (264 mm)	5 lbs
6607	7"	7.03" (179 mm)	6.77" (172 mm)	10.75" (273 mm)	11.38" (289 mm)	5 lbs
6608	8"	8.03" (204 mm)	7.77" (197 mm)	10.75" (273 mm)	12.38" (314 mm)	6 lbs
6609	9"	9.03" (229 mm)	8.77" (223 mm)	10.75" (273 mm)	13.38" (340 mm)	7 lbs
6610	10"	10.03" (255 mm)	9.77" (248 mm)	10.75" (273 mm)	14.38" (365 mm)	8 lbs
6612	12"	12.03" (306 mm)	11.77" (299 mm)	12.75" (324 mm)	16.38" (416 mm)	10 lbs
6614	14"	14.03" (356 mm)	13.77" (350 mm)	14.75" (375 mm)	18.38" (467 mm)	12 lbs
6616	16"	16.03" (407 mm)	15.77" (401 mm)	16.75" (425 mm)	20.38" (518 mm)	15 lbs
6618	18"	18.03" (458 mm)	17.77" (451 mm)	19.62" (498 mm)	21.40" (544 mm)	19 lbs
6620	20"	20.03" (509 mm)	19.77" (502 mm)	22.00" (559 mm)	23.40" (594 mm)	23 lbs

NOTES:

Applications: Compatible with Aprilaire® Zone Control System. Dampers are designed to work in low pressure systems (less than 1.0" w.c.).

Electrical Ratings: Two wire; power closed/spring open; 24 VAC 6W, 60Hz, 10VA. Synchronous type motor, impedance protected for continuous stall capability without electrical or mechanical damage. Damper comes with motor mounted.

The submittal is intended to show general, overall product dimensions and provide guidance for installation clearance. Drawings are not to scale. Ensure submittals are current. Research Products reserves the rights to make product change without notifications or obligations.