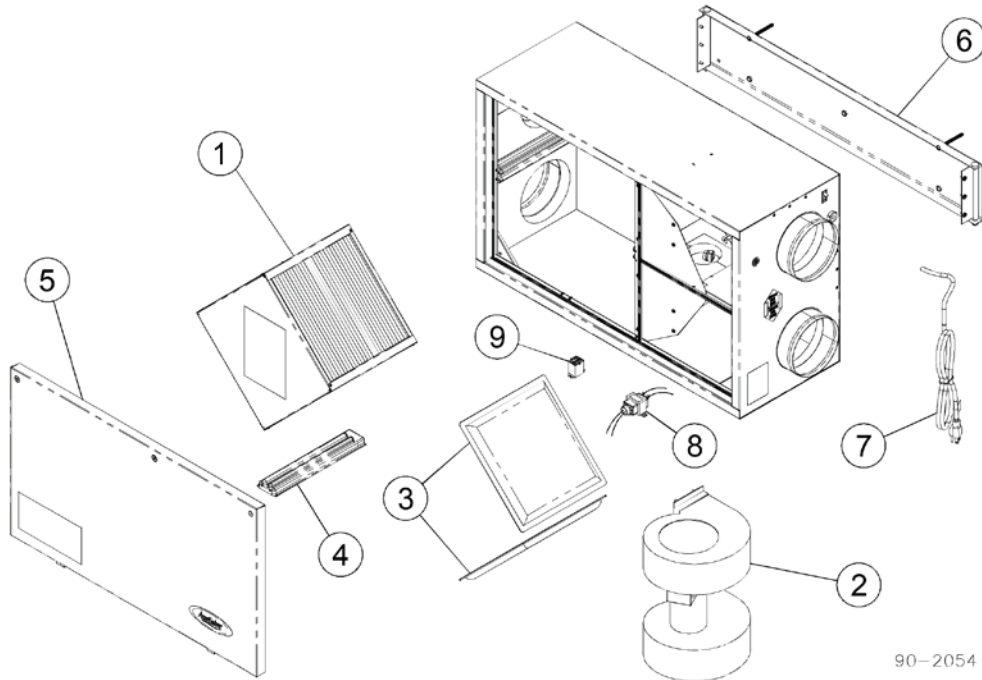


Ventilation Dealer Parts List

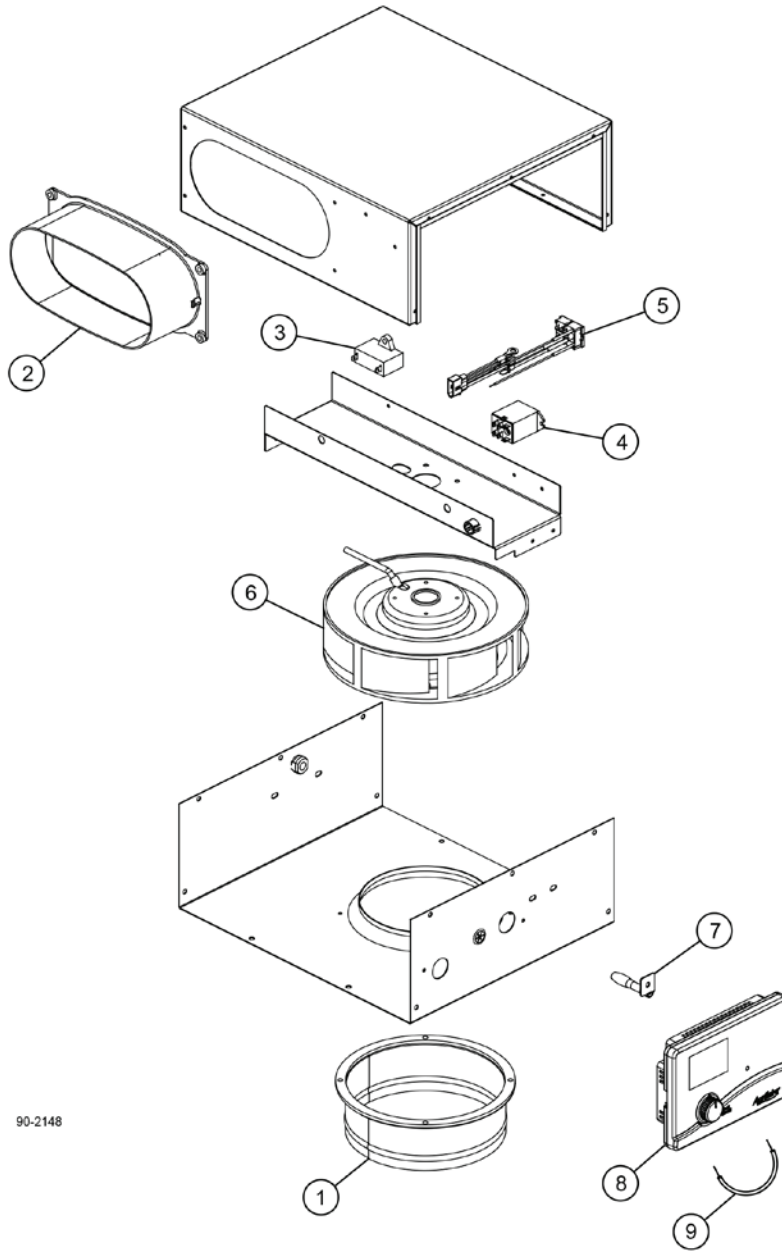
Model 8100



NO.	PART DESCRIPTION	QTY/CTN	PART NO.
1	Core	1	5151
2	Blower	1	5152
3	EZ Kleen Air Filters (2 Pack)	2	5153
4	Support Channel	1	5154
5	Access Door	1	5155
6	Mounting Hardware	1	5156
7	Power Cord	1	5157
8	Transformer with Harness	1	5598
9	Relay	1	5597
OTHER PARTS			
	Air Flow Measuring Device	1	5158

We reserved the right to make modifications as deemed necessary in line with our policy to continue supplying the finest equipment available. All prices are F.O.B. Poynette, WI, and subject to change without notice. Orders may be sent via EDI, Fax, email (purchaseorders@aprilair.com), Mail or Phone. If EDI, call us for initial Setup.

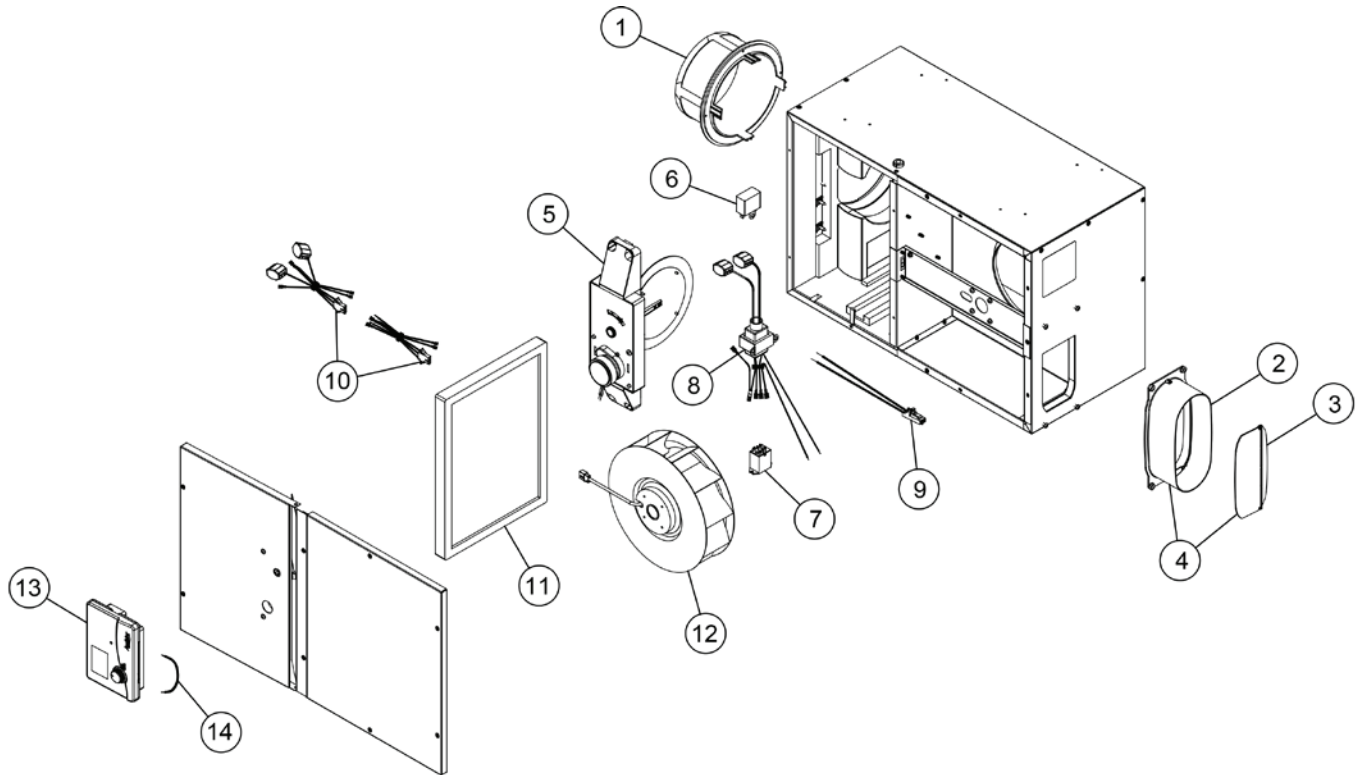
Model 8142



90-2148

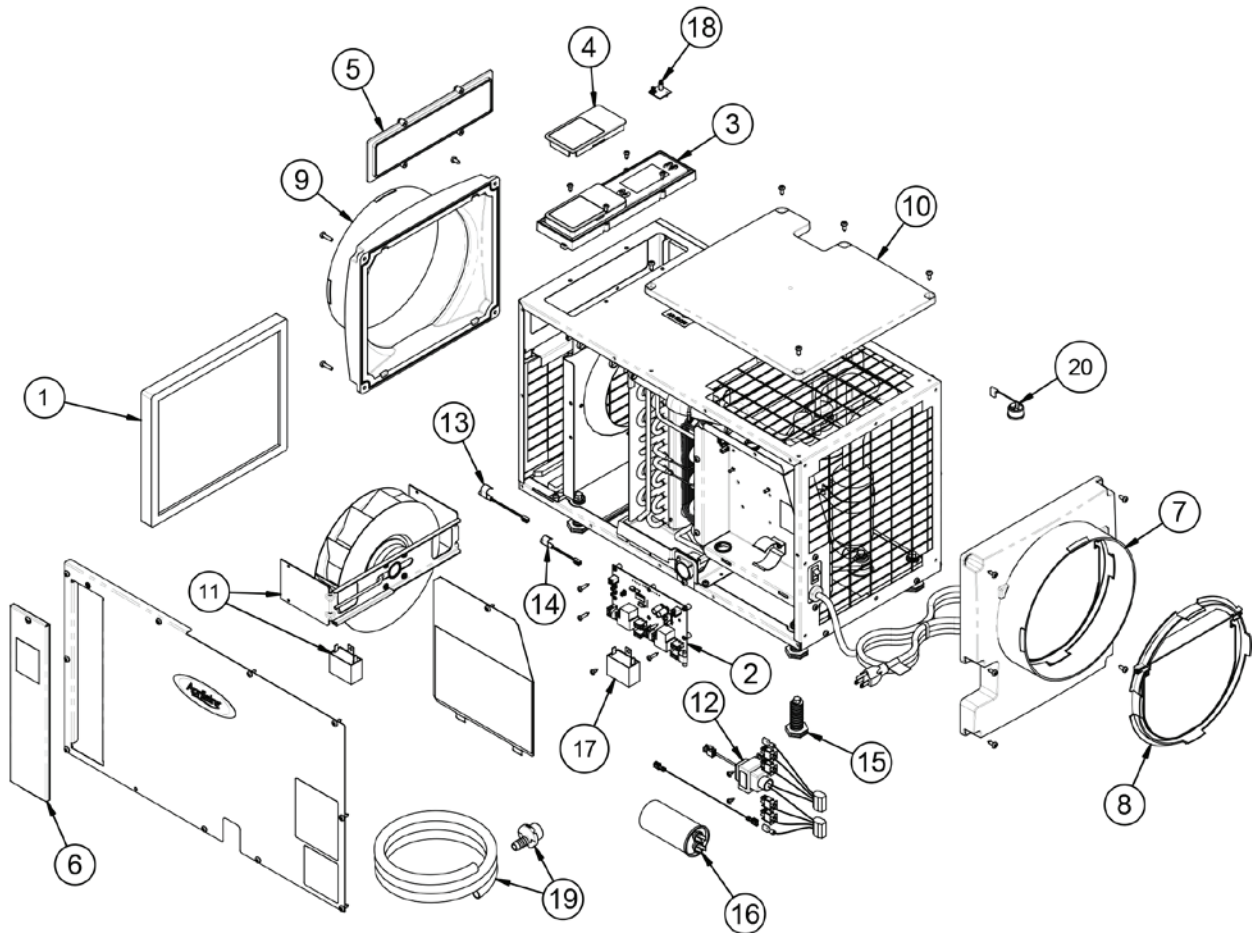
NO.	PART DESCRIPTION	QTY/CTN	PART NO.
1	Collar, Round, 6", Flange, Steel	1	5652
2	Collar, Oblong	1	5651
3	Run Capacitor, 6Mfd	2	5579
4	Relay	1	4740
5	Wire Harness/ Relay Socket	1	5581
6	Blower, Centrifugal	1	5576
7	Temperature Sensor	1	5580
8	Control, Ventilation	1	5650
9	Jumper Wire, Control	1	5656

Model 8140 / 8141



NO.	PART DESCRIPTION	QTY/CTN	PART NO.
1	Collar, 6", Plastic	1	5643
2	Collar, Oblong (8140)	1	5651
3	Backflow Damper Blade (8140)	1	5577
4	Outlet Duct Collar + Backflow Damper Blade (8141)	1	5578
5	Damper, Assy, 6" (8140)	1	5644
6	Fan Run Capacitor, 12Mfd, 450Vac	1	5582
7	Relay	1	4740
8	Transformer/Connector, Harness (8140)	1	5645
9	Harness, Damper (8140)	1	5646
10	Harness, Blower (8140)	1	5647
	Harness, Blower (8141)	1	5657
11	Filter	1	5648
12	Fan, Centrifugal	1	5649
13	Control, Ventilation	1	5650
14	Jumper Wire, Control	1	5656

Model 8191 / 8192



NO.	PART DESCRIPTION	QTY/CTN	PART NO.
1	Filter, 10" x 12" x 1" EZ Kleen	1	5443
2	Internal Control Board	1	5444
3	User Interface Assembly	1	5564
4	Wiring Access Door	1	5446
5	UI Control Hole Cover	1	5447
6	Filter Access Door	1	5448
7	Outlet Duct Panel	1	5449
8	10" Backflow Damper	1	5450
9	Inlet Duct Panel	1	5451
10	Outlet Cover	1	5452
11	Fan used on Models 1830 and 8191	1	5453
	Fan used on Models 1850(F)(W) and 8192	1	5467
12	Wire Harness, Power	1	5454
13	Low Temperature Sensor	1	5455
14	High Temperature Sensor	1	5456
15	Leveling Foot	1	5457
16	Compressor Run Capacitor, 45MFD, 370VAC	1	5458
17	Fan Run Capacitor, 8MFD, 450VAC, used on Models 1830 and 8191 with Serial Number before 112015A09596	1	5459
	Fan Run Capacitor, 8MFD, 450VAC, used on Models 1830 and 8191 with Serial Number 112015A09596 or later	1	5582
	Fan Run Capacitor, 12MFD, 450VAC, used on Models 1850(F)(W) and 8192	1	5468
18	RH Sensor	1	5460
19	Drain Tube + Fittings	1	5585
20	Compressor Overload Switch, 70pt for Models 1830 and 8191	1	5547
	Compressor Overload Switch, 95pt for Models 1850(F)(W) and 8192	1	5548

Aprilaire®

P.O. Box 1467
 Madison, WI 53701-1467
 Phone: 800/334-6011 • Fax: 608/257-4357