

PROJECT NAME:
NOTES:
PART NUMBER:
DATE:

BAYBRITE ECO — LED TUBES



PRODUCT DESCRIPTION:

A Best Seller— The LED Tube BayBrite Eco is the most economical way to attain energy savings by upgrading to LED technology. TechBrite’s BayBrite has been the “go-to” high bay in the lighting industry for several years. It is designed to easily add accessories; such as: Photocell, On/Off sensors, Gripples, Cords/Plugs, Wire guards, Lens, etc. Designed to replace metal halides or strips in retro fit applications, the BayBrite Eco is an ideal new construction fixture for industrial applications. The BayBrite Eco is heavy on features while maintaining a budget-friendly price point.

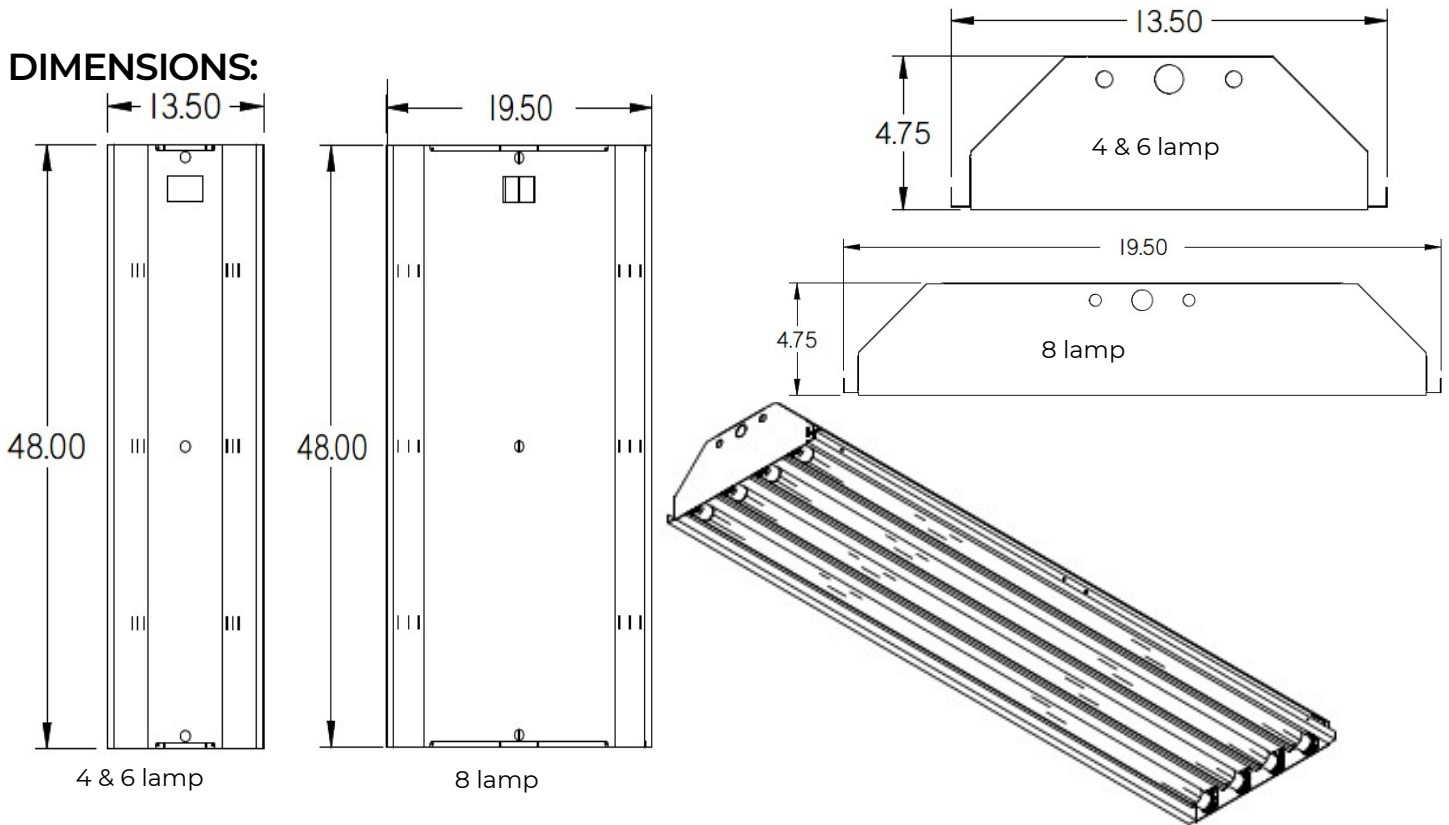
FEATURES:

- Swing away door assembly for simple wiring access
- Fully enclosed fixture
- Heavy gauge construction
- Limited warranty: 5 years on luminaire

PERFORMANCE SPECIFICATION:

Lumens	6 Lamp Max
Watts	177w Max
LPW	See TLED Specification
Color	See TLED Specification
CRI	See TLED Specification
L70	See TLED Specification
L85	See TLED Specification
Max Ambient Temp	See TLED Specification
Min Ambient Temp	See TLED Specification
Dimming	See TLED Specification
Driver Voltage	See TLED Specification
Chip	See TLED Specification
Driver	See TLED Specification

DIMENSIONS:



FREQUENTLY ORDERED PART NUMBERS:

Part Number	Description	Dimensions	Weight
B4144SSUMXX00P0	4 Lamp Eco BayBrite High Bay 4 FT—Wired Single End—Unshunted sockets	48.00 x 13.50 x 4.75 (inches)	10.73 (lbs)
B4144SSXMXX00P0-WOE	4 Lamp Eco BayBrite High Bay 4 FT—Wired Opposing Ends—Shunted sockets	48.00 x 13.50 x 4.75 (inches)	10.73 (lbs)
B4146SSUMXX00P0	6 Lamp Eco BayBrite High Bay 4 FT—Wired Single End—Unshunted sockets	48.00 x 13.50 x 4.75 (inches)	10.75 (lbs)
B4146SSXMXX00P0-WOE	6 Lamp Eco BayBrite High Bay 4 FT—Wired Opposing Ends—Shunted sockets	48.00 x 13.50 x 4.75 (inches)	10.75 (lbs)
B4208SSUMXX00P0	8 Lamp Eco BayBrite High Bay 4 FT —Wired Single End—Unshunted sockets	48.00 x 20.00 x 4.75 (inches)	15.00 (lbs)
B4208SSXMXX00P0-WOE	8 Lamp Eco BayBrite High Bay 4 FT—Wired Opposing Ends—Shunted sockets	48.00 x 20.00 x 4.75 (inches)	15.00 (lbs)

Series	Length	Width	# of Tubes	Type	Socket Type	Reflector	Wiring								
B	BayBrite	4	4 Foot	14	4 lamp	4	4 lamp	SS	LED	X	Shunted	WXX*	White	00P0	Prewired
				14	6 lamp	6	6 lamp			U	Unshunted	MXX	Miro 4		
				20	8 lamp	8	8 lamp								

* White reflector not available on 8 lamp fixture

Lamp Type	
BLANK	Wired single end with unshunted sockets
WOE	Wired opposing ends with shunted sockets