

For Residential and Commercial Applications


Job Name		Engineer / Architect	
Job Location		Wholesaler	
Submittal Date		Contractor	

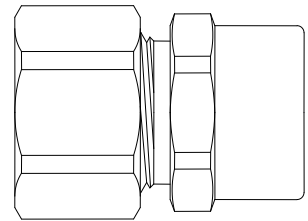
14/ 24/ 34 Series Compression x Sweat Unions – Drill Through

Use: For use with instrumentation, hydraulic and pneumatic systems. Designed for use with aluminum, copper and plastic tubing. Not intended for use with steel tubing

* Plastic tubing requires a plastic insert and sleeve (see 60PT & 63PT submittal forms for details).

Design Features:

- **Little to no tube preparation on Compression connection.**
Compression connections do not require flaring, soldering or other types of tube preparation
- **Available in a broad range of sizes**
- **Compliant Fittings available** for California and Vermont “low-lead” requirements 



Operating Specifications:

Temperature: -65° - 250° F at maximum operating pressures

Working Pressure: See chart below

Vibration: Fair vibration resistance

WORKING PRESSURE		
PSI	Tube O.D.	Tube Wall (Inches)
400	1/8	0.030
400	3/16	0.030
300	1/4	0.030
300	5/16	0.032
200	3/8	0.032
200	1/2	0.032
150	5/8	0.035
100	3/4	0.035
75	7/8	0.035

Standard

MATERIAL SPECIFICATIONS	
Fitting Body	C36000 brass
Compression Sleeve	C36000 brass
Compression Nut	Chrome-plated C36000 brass

Compliant

Fitting Body	Compliant brass
Compression Sleeve	C36000 brass
Compression Nut	Chrome-plated C36000 brass

Standard Part Listing:

- 24 R 1/2" Nom. Sweat x 1/4" OD Tube, chrome plated
- 14 C 1/2" Nom. Sweat x 3/8" OD Tube – drill through, chrome plated

This specification and all information contained herein is the confidential and exclusive property of BrassCraft Manufacturing, and shall not be disclosed to others without the written consent of BrassCraft. This specification must be returned to BrassCraft if requested.



14/ 24/ 34 Series Compression x Sweat Unions – Drill Through

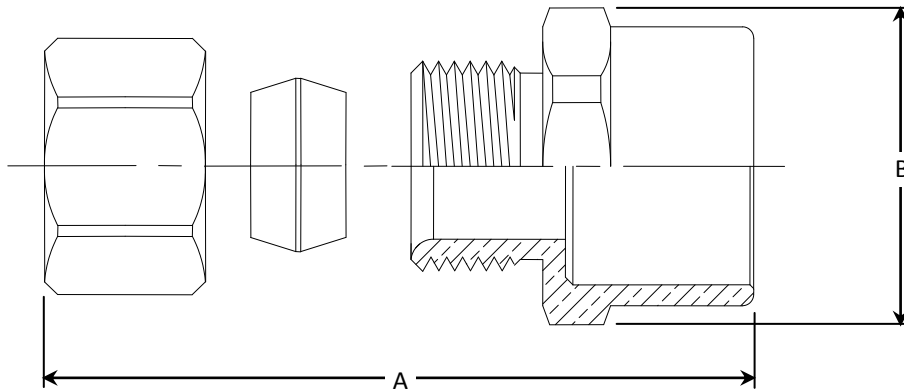
Standard Part Listing (con't):

- 14 CBT 1/2" Nom. Sweat x 3/8" OD Tube – drill through, chrome plated, plain tray, bulk
- 14 R 1/2" Nom. Sweat x 3/8" OD Tube – drill through, rough brass
- 14-1 RBT 1/2" Nom. Sweat x 3/8" OD Tube – unreamed, rough brass, plain tray, bulk
- 14-2 RBT 1/2" Nom. Sweat x 3/8" OD Tube – body only, rough brass, plain tray, bulk
- 34 C 1/2" Nom. Sweat x 1/2" OD Tube, chrome plated
- 34 R 1/2" Nom. Sweat x 1/2" OD Tube, rough brass

Compliant Part Listing:

- 14X R 1/2" Nom. Sweat x 3/8" OD Tube – drill through, rough brass
- 14X-2 RB 1/2" Nom. Sweat x 3/8" OD Tube – body only, drill through, rough brass, bulk

PART DIMENSIONS (Inches)		
Model	DIM. A	HEX. B
24	1.08	3/4
14	1.08	3/4
34	1.07	3/4



Listings & Certifications:

- Compliant product CSA approved to California Health & Safety Code 116875 and Vermont Bill S.152 (Project # 21745785)



This specification and all information contained herein is the confidential and exclusive property of BrassCraft Manufacturing, and shall not be disclosed to others without the written consent of BrassCraft. This specification must be returned to BrassCraft if requested.

BrassCraft®