

**For Residential and Commercial Applications**

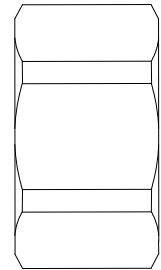
Job Name		Engineer / Architect	
Job Location		Wholesaler	
Submittal Date		Contractor	

## 61 Series    Compression Nuts

**Use:** For use with instrumentation, hydraulic and pneumatic systems. Designed for use with aluminum, copper and plastic tubing. Not intended for use with steel tubing

**Design Features:**

- **Little to no tube preparation.** Compression fittings do not require flaring, soldering or other types of tube preparation
- **Available in a broad range of sizes**



**Operating Specifications:**

**Temperature:** -65° - 250° F at maximum operating pressures  
**Working Pressure:** see chart below  
**Vibration:** Fair vibration resistance

<b>WORKING PRESSURE</b>		
PSI	Tube O.D.	Tube Wall (Inches)
400	1/8	0.030
400	3/16	0.030
300	1/4	0.030
300	5/16	0.032
200	3/8	0.032
200	1/2	0.032
150	5/8	0.035
100	3/4	0.035
75	7/8	0.035

<b>MATERIAL SPECIFICATIONS</b>	
<b>Compression Nut</b>	<b>C36000 brass</b>

**Part Listing:**

- 61-2                    For 1/8" OD Tube, rough brass
- 61-2 B                 For 1/8" OD Tube, rough brass, bulk
- 61-3                    For 3/16" OD Tube, rough brass
- 61-3 B                 For 3/16" OD Tube, rough brass, bulk
- 61-4                    For 1/4" OD Tube, rough brass
- 61-4 B                 For 1/4" OD Tube, rough brass, bulk
- 61-4 C                 For 1/4" OD Tube, chrome plated
- 61-4 CB                For 1/4" OD Tube, chrome plated, bulk

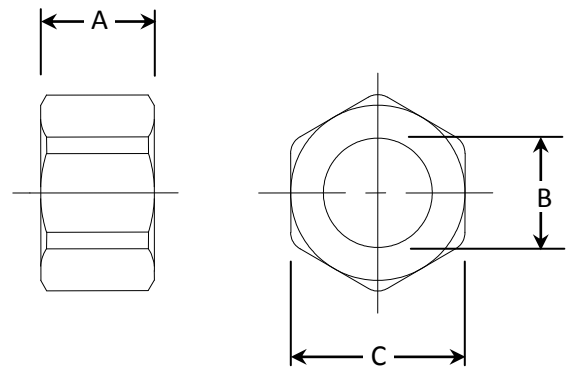
*This specification and all information contained herein is the confidential and exclusive property of BrassCraft Manufacturing, and shall not be disclosed to others without the written consent of BrassCraft. This specification must be returned to BrassCraft if requested.*



# 61 Series Compression Nuts

**Part Listing (con't):**

- 61-4S B For 1/4" OD Tube, SAE dimensions, rough brass, bulk
- 61-5 For 5/16" OD Tube, rough brass
- 61-5 B For 5/16" OD Tube, rough brass, bulk
- 61-5 CB For 5/16" OD Tube, chrome plated, bulk
- 61-6 For 3/8" OD Tube, rough brass
- 61-6 B For 3/8" OD Tube, rough brass, bulk
- 61-6 BZB For 3/8" OD Tube, oil rubbed bronze, bulk
- 61-6 BZH For 3/8" OD Tube, oil rubbed bronze, 2 per bag
- 61-6 C For 3/8" OD Tube, chrome plated
- 61-6 CB For 3/8" OD Tube, chrome plated, bulk
- 61-6 NPH For 3/8" OD Tube, polished nickel, 2 per bag
- 61-6 NSH For 3/8" OD Tube, satin nickel, 2 per bag
- 61-6 PH For 3/8" OD Tube, polished brass, 2 per bag
- 61-6S B For 3/8" OD Tube, SAE dimensions, rough brass, bulk
- 61-6S CB For 3/8" OD Tube, SAE dimensions, chrome plated, bulk
- 61-7 For 7/16" OD Tube, rough brass
- 61-7 B For 7/16" OD Tube, rough brass, bulk
- 61-7 C For 7/16" OD Tube, chrome plated
- 61-8 For 1/2" OD Tube, rough brass
- 61-8 B For 1/2" OD Tube, rough brass, bulk
- 61-8 C For 1/2" OD Tube, chrome plated
- 61-8 CB For 1/2" OD Tube, chrome plated, bulk
- 61-10 For 5/8" OD Tube, rough brass
- 61-10 B For 5/8" OD Tube, rough brass, bulk
- 61-10 C For 5/8" OD Tube, chrome plated
- 61-10 CB For 5/8" OD Tube, chrome plated, bulk
- 61-10R CB For 5/8" OD Tube, rack - chrome plated, bulk
- 61-12 For 3/4" OD Tube, rough brass
- 61-12 B For 3/4" OD Tube, rough brass, bulk
- 61-14 For 7/8" OD Tube, rough brass
- 61-14 B For 7/8" OD Tube, rough brass, bulk



PART DIMENSIONS (Inches)				
Model	Straight Thread	DIM. A	DIA. B	HEX. C
61-2	5/16-24	.38	.130	3/8
61-3	3/8-24	.41	.192	7/16
61-4	7/16-24	.40	.255	1/2
61-4S	7/16-24	.44	.255	1/2
61-5	1/2-24	.44	.318	9/16
61-6	9/16-24	.42	.382	5/8

PART DIMENSIONS (Inches)				
Model	Straight Thread	DIM. A	DIA. B	HEX. C
61-6S	9/16-24	.47	.382	5/8
61-7	5/8-24	.44	.444	11/16
61-8	11/16-20	.53	.507	13/16
61-10	13/16-18	.56	.632	15/16
61-12	1-18	.69	.760	1-1/8
61-14	1-1/8-18	.63	.886	1-1/4

*This specification and all information contained herein is the confidential and exclusive property of BrassCraft Manufacturing, and shall not be disclosed to others without the written consent of BrassCraft. This specification must be returned to BrassCraft if requested.*

