

For Residential and Commercial Applications

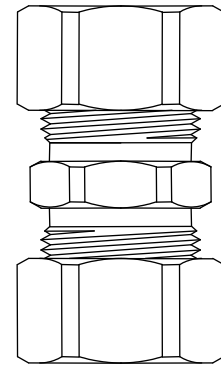
Job Name		Engineer / Architect	
Job Location		Wholesaler	
Submittal Date		Contractor	

62-DT Series Compression x Compression Unions – Drill Through

Use: For use with potable and non-potable water, instrumentation, hydraulic, and pneumatic systems. Designed for use with aluminum, copper, and plastic tubing*. Not intended for use with steel tubing.
 * Plastic tubing requires a plastic insert and sleeve (see 60PT & 63PT submittal forms for details)

Design Features:

- **Little to no tube preparation.** Compression fittings do not require flaring, soldering, or other types of tube preparation
- **Available in a broad range of sizes**
- **No-lead available**



Operating Specifications:

Temperature: -65° - 250° F at maximum operating pressures
Working Pressure: See chart below
Vibration: Fair vibration resistance

WORKING PRESSURE		
PSI	Tube OD	Tube Wall (Inches)
300	1/4	0.030
200	3/8	0.032
200	1/2	0.032
150	5/8	0.035
75	7/8	0.035



Standard Product

MATERIAL SPECIFICATIONS	
Body	Brass
Compression Sleeve	Brass
Compression Nut	Brass
Option	Chrome plating

Standard Part Listing:

- 62-4DT 1/4" OD tube x 1/4" OD tube, rough brass
- 62-6DT 3/8" OD tube x 3/8" OD tube, rough brass
- 62-6-1DT B 3/8" OD tube x 3/8" OD tube - body only, rough brass, bulk
- 62-8DT 1/2" OD tube x 1/2" OD tube, rough brass
- 62-8-1DT B 1/2" OD tube x 1/2" OD tube - body only, rough brass, bulk
- C14 C 5/8" OD tube x 3/8" OD tube, chrome plated
- C14 CBT 5/8" OD tube x 3/8" OD tube, chrome plated, plain tray, bulk

This specification and all information contained herein is the confidential and exclusive property of BrassCraft Manufacturing, and shall not be disclosed to others without the written consent of BrassCraft Mfg. This specification must be returned to BrassCraft Mfg. if requested.

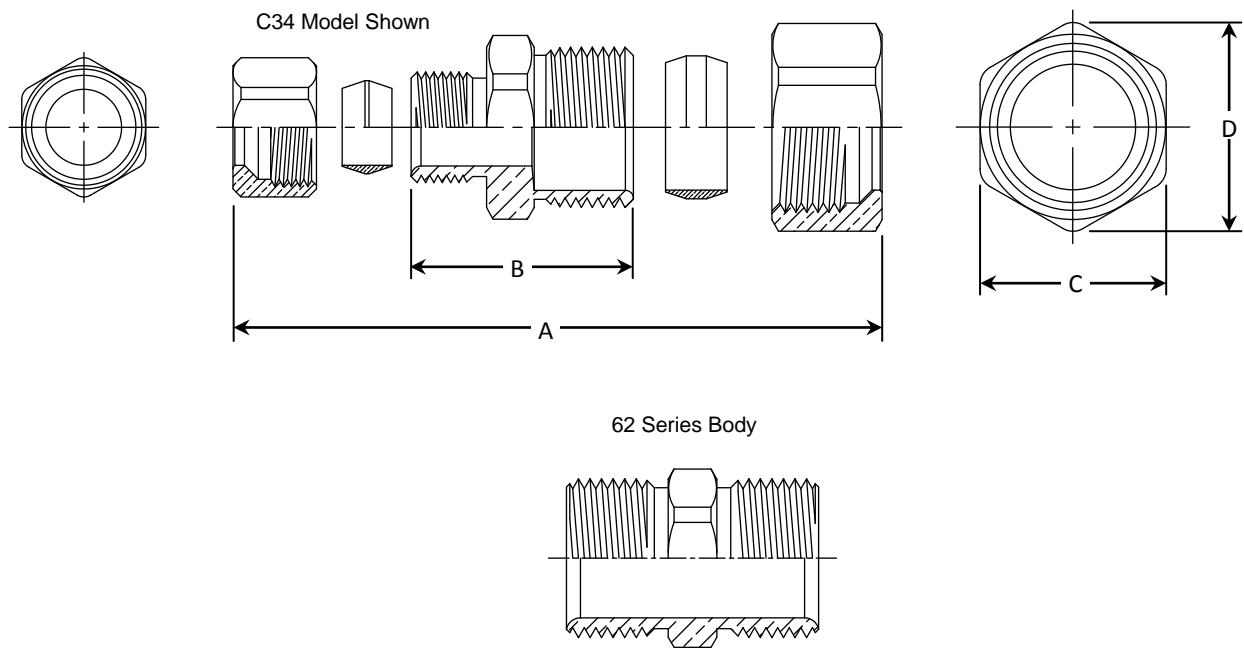


62-DT Series Compression x Compression Unions – Drill Through

Standard Part Listing (con't):

- C14 R 5/8" OD tube x 3/8" OD tube, rough brass
- C14-1 CBT 5/8" OD tube x 3/8" OD tube - body only, chrome plated, plain tray, bulk
- C14-1 RBT 5/8" OD tube x 3/8" OD tube - body only, rough brass, plain tray, bulk
- C34 C 5/8" OD tube x 1/2" OD tube, chrome plated
- C34 R 5/8" OD tube x 1/2" OD tube, rough brass
- C34-1 CBT 5/8" OD tube x 1/2" OD tube - body only, chrome plated
- C34-1 RBT 5/8" OD tube x 1/2" OD tube - body only, rough brass
- 62-10DT 5/8" OD tube x 5/8" OD tube, rough brass
- 62-10DT B 5/8" OD tube x 5/8" OD tube, rough brass, bulk
- 62-10-1DT B 5/8" OD tube x 5/8" OD tube - body only, rough brass, bulk
- 62-14DT 7/8" OD tube x 7/8" OD tube, rough brass
- 62-14-1DT B 7/8" OD tube x 7/8" OD tube - body only, rough brass, bulk

PART DIMENSIONS (Inches)				
Model	DIM. A	DIM. B	DIM. C	DIM. D
62-4DT	1.34	0.78	7/16	0.48
62-6DT	1.50	0.96	9/16	0.62
62-8DT	1.75	1.09	11/16	0.77
62-10DT	1.89	1.23	13/16	0.90
62-14DT	1.90	1.14	1-1/8	1.25
C14	1.75	1.12	13/16	0.90
C34	1.84	1.18	13/16	0.90



This specification and all information contained herein is the confidential and exclusive property of BrassCraft Manufacturing, and shall not be disclosed to others without the written consent of BrassCraft Mfg. This specification must be returned to BrassCraft Mfg. if requested.

BrassCraft®