


Job Name		Engineer / Architect	
Job Location		Wholesaler	
Submittal Date		Contractor	

## CT2-66\* Series Female Compression x Compression Tee

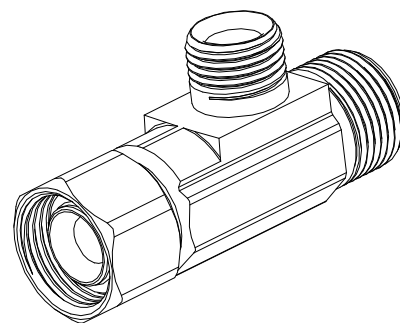
**Use:** For use with potable water, instrumentation, hydraulic, and pneumatic systems. Designed for use with aluminum, copper, and plastic tubing. Not intended for use with steel tubing.

**Design Features:**

- **Little to no tube preparation.** Compression fittings do not require flaring, soldering, or other types of tube preparation
-  **No Lead**

**Operating Specifications:**

**Temperature:** 40° to 180°F at maximum operating pressures  
**Working Pressure:** 400 PSI maximum  
**Vibration:** Fair vibration resistance

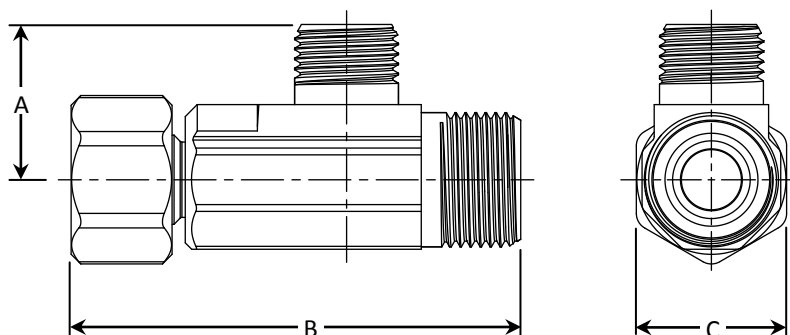


MATERIAL SPECIFICATIONS	
<b>Body</b>	Brass
<b>Barb</b>	Brass
<b>Flat Washer</b>	Rubber
<b>Nut</b>	Brass

**Part Listing:**

- CT2-664X B 3/8" OD female compression x 3/8" OD compression x 1/4" OD compression tee, bulk
- CT2-664X D 3/8" OD female compression x 3/8" OD compression x 1/4" OD compression tee, carded
- CT2-664X P 3/8" OD female compression x 3/8" OD compression x 1/4" OD compression tee, bagged
- CT2-666X B 3/8" OD female compression x 3/8" OD compression x 3/8" OD compression tee, bulk
- CT2-666X D 3/8" OD female compression x 3/8" OD compression x 3/8" OD compression tee, carded
- CT2-666X P 3/8" OD female compression x 3/8" OD compression x 3/8" OD compression tee, bagged

PART DIMENSIONS (Inches)			
Model	DIM. A	DIM. B	HEX.C
CT2-664X	.65	1.87	5/8
CT2-666X	.73	1.87	5/8



**Listings & Certifications:**

- No-Lead product CSA listed to Low-Lead Content Certification Program – Plumbing Products Class 6853-01



*This specification and all information contained herein is the confidential and exclusive property of BrassCraft Manufacturing, and shall not be disclosed to others without the written consent of BrassCraft Mfg. This specification must be returned to BrassCraft Mfg if requested.*

