

For Residential and Commercial Applications

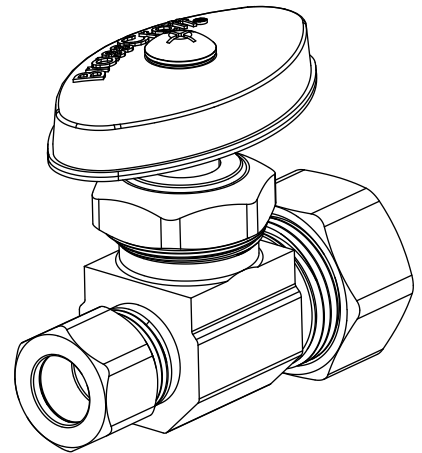
Job Name		Engineer / Architect	
Job Location		Wholesaler	
Submittal Date		Contractor	

OCR11/ OCR14/ OCR34 Multi-Turn Straight Stop – Compression x Compression

Use: For use in potable water distribution systems only. Not intended for recirculating water systems that produce continuous use temperatures above 115° F. For those applications, use our KT™ series ball stops.

Design Features:

- **Machined one-piece brass body** provides strength, durability, and long-lasting performance
- **Knurled oval handle** provides a secure grip and smooth on/off operation
- **Easy-to-remove handle** with screw attachment helps protect against accidental stop operation during rough-ins
- **No Lead**
- **For use with** ASTM F876 PEX tubing, in ASTM F877 water distribution systems (parts containing PX and PXX only)
- **For use in** ASTM F877 water distribution systems as noted in Appendixes (parts containing PX and PXX only)



Operating Specifications:

Temperature: 40° - 140° F
Pressure: 125 PSI maximum



MATERIAL SPECIFICATIONS	
Body	<i>Brass or brass, chrome plated</i>
Stem	<i>POM; brass; or brass, chrome plated</i>
Bib & Packing Washer	<i>Rubber</i>
Packing Nut	<i>Brass or brass, chrome plated</i>
Handle	<i>Die cast zinc, plated; ABS, plated; or Polycarbonate</i>
Handle Screw	<i>Steel, zinc plated</i>
Compression Nut	<i>Brass or brass, chrome plated</i>
Compression Sleeve	<i>Brass</i>
PEX Insert*	<i>Stainless steel</i>

**Where specified*

Part Listing:

- OCR11X C 1/4" nom compression x 3/8" OD compression, chrome plated
- OCR11X CBT 1/4" nom compression x 3/8" OD compression, chrome plated, bulk, plain tray
- OCR11X C1 1/4" nom compression x 3/8" OD compression, chrome plated, window box
- OCR11X R 1/4" nom compression x 3/8" OD compression, rough brass
- OCR11X R 1/4" nom compression x 3/8" OD compression, rough brass
- OCR11ZX C 1/4" nom compression x 3/8" OD compression, brass stem, chrome plated

This specification and all information contained herein is the confidential and exclusive property of BrassCraft Manufacturing Co., and shall not be disclosed to others without the written consent of BrassCraft Mfg. This specification must be returned to BrassCraft Mfg. if requested.



OCR11/ OCR14/ OCR34 Multi-Turn Straight Stop – Compression x Compression

Part Listing (con't):

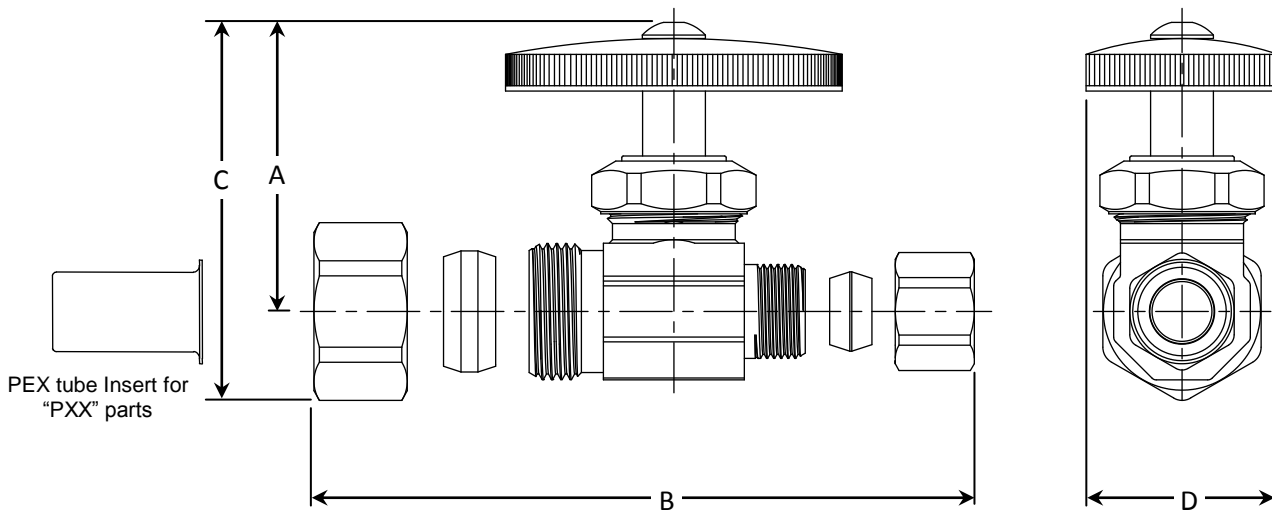
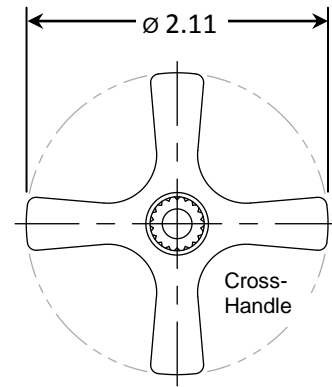
- OCR14X C 1/2" nom compression x 3/8" OD compression, chrome plated
- OCR14X CBT 1/2" nom compression x 3/8" OD compression, chrome plated, bulk, plain tray
- OCR14X C1 1/2" nom compression x 3/8" OD compression, chrome plated, window box
- OCR14X CM 1/2" nom compression x 3/8" OD compression, chrome plated, contractor 5 pack
- OCR14X R 1/2" nom compression x 3/8" OD compression, rough brass
- OCR14X RBT 1/2" nom compression x 3/8" OD compression, rough brass, bulk, plain tray
- OCR14X R1 1/2" nom compression x 3/8" OD compression, rough brass, window box
- OCR14X RM 1/2" nom compression x 3/8" OD compression, rough brass, contractor 5 pack
- OCR14ZX C 1/2" nom compression x 3/8" OD compression, brass stem, chrome plated
- OCR14X BZ 1/2" nom compression x 3/8" OD compression, oil rubbed bronze
- OCR14X NP 1/2" nom compression x 3/8" OD compression, polished nickel
- OCR14X NS 1/2" nom compression x 3/8" OD compression, satin nickel
- OCR14X P 1/2" nom compression x 3/8" OD compression, polished
- OCR14L1X CB 1/2" nom compression x 3/8" OD compression, less nut and sleeve, chrome plated, bulk
- OCR14PXX C 1/2" nom compression w/PEX stainless steel insert x 3/8" OD compression, chrome plated
- OCR14PXX CM 1/2" nom compression w/PEX stainless steel insert x 3/8" OD compression, chrome plated, contractor 5 pack

- OCR14TX CB 1/2" nom compression x 3/8" OD compression, chrome plated, plain handle, bulk
- OCR14TX CBT 1/2" nom compression x 3/8" OD compression, chrome plated, plain handle, bulk, plain tray
- OCR34X C 1/2" nom compression x 1/2" OD compression, chrome plated
- OCR34X CBT 1/2" nom compression x 1/2" OD compression, chrome plated, bulk, plain tray
- OCR34X C1 1/2" nom compression x 1/2" OD compression, chrome plated, window box
- OCR34X R 1/2" nom compression x 1/2" OD compression, rough brass
- OCR34X CM 1/2" nom compression x 1/2" OD compression, chrome plated, contractor 5 pack
- OCR34X RM 1/2" nom compression x 1/2" OD compression, rough brass, contractor 5 pack
- OCR3AX C 3/8" nom compression x 1/2" OD compression, chrome plated
- OCR3AX CM 3/8" nom compression x 1/2" OD compression, chrome plated, contractor 5 pack
- XCR14X C 1/2" nom compression x 3/8" OD compression, chrome plated, cross handle
- XCR14X BZ1 1/2" nom compression x 3/8" OD compression, oil rubbed bronze, cross handle, window box
- XCR14X NP1 1/2" nom compression x 3/8" OD compression, polished nickel, cross handle, window box
- XCR14X NS1 1/2" nom compression x 3/8" OD compression, satin nickel, cross handle, window box
- XCR14X P1 1/2" nom compression x 3/8" OD compression, polished, cross handle, window box

This specification and all information contained herein is the confidential and exclusive property of BrassCraft Manufacturing Co., and shall not be disclosed to others without the written consent of BrassCraft Mfg. This specification must be returned to BrassCraft Mfg. if requested.

OCR11/ OCR14/ OCR34 Multi-Turn Straight Stop – Compression x Compression

PART DIMENSIONS (Inches)				
Model	DIM. A	DIM. B	DIM. C	DIM. D
OCR11X	1.80	2.12	2.21	1.14
OCR14X (OCR14PXX)	1.80	2.25	2.33	1.14
OCR14ZX	1.80	2.25	2.33	1.14
OCR34X	1.80	2.30	2.33	1.14
XCR14X	1.80	2.25	2.33	1.14



Listings & Certifications:

- IAPMO listed to ASME A112.18.1 / CSA B125.1 (Including NSF 61 and NSF 372)(File 0645)
- CSA listed to ASME A112.18.1 / CSA B125.1 (Including NSF 61 and NSF 372)(File 204593)
- No-lead product CSA listed to NSF 372 (Class 6853-01)



This specification and all information contained herein is the confidential and exclusive property of BrassCraft Manufacturing Co., and shall not be disclosed to others without the written consent of BrassCraft Mfg. This specification must be returned to BrassCraft Mfg. if requested.