

Job Name		Engineer / Architect	
Job Location		Wholesaler	
Submittal Date		Contractor	

OR10 / OR12 / OR32 Multi-Turn Straight Stop – Female Iron Pipe x Compression

Use: For use in potable water distribution systems in accessible locations only. Not intended for recirculation systems/continuous use of temperatures above 115°F. For those applications, use our KT™ series ball stop.

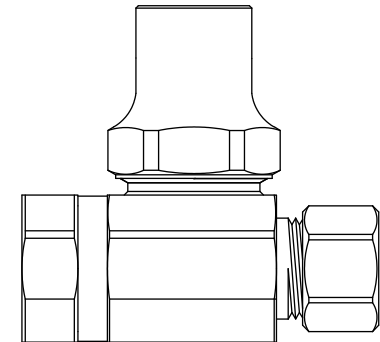
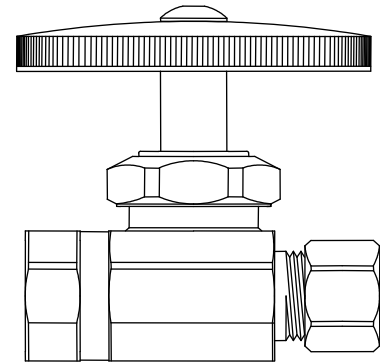
Design Features:

- **Machined one-piece brass body** provides strength, durability, and long-lasting performance
- **Oval knurled handle** provides a secure grip and smooth on/off operation
- **Easy-to-remove handle** with screw attachment helps protect against accidental operation during rough-ins

-  **No Lead**

Operating Specifications:

Temperature: 40°- 140° F, intermittent to 180° F
Pressure: 125 PSI maximum



STOP MATERIAL SPECIFICATIONS	
Body	Brass or brass, chrome plated
Stem	POM or brass*
Bib & Packing Washers	Rubber
Packing Nut	Brass or brass, chrome plated
Handle	Zinc, die cast plated; ABS, plated; or Polycarbonate
Handle Screw	Steel, zinc plated
Compression Sleeve	Brass
Compression Nut	Brass or brass, chrome plated

*Where specified

Part Listing:

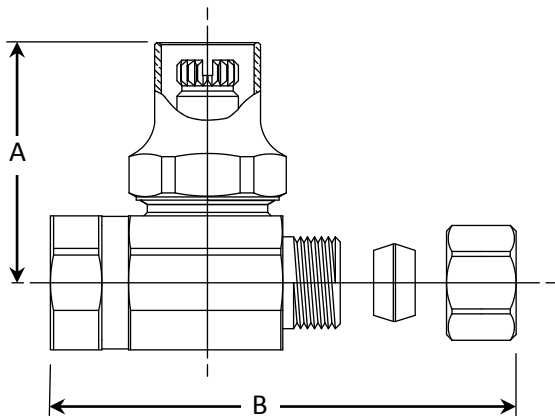
- OR10X C 3/8" FIP x 3/8" OD compression, chrome plated
- OR10X C1 3/8" FIP x 3/8" OD compression, chrome plated, window box
- OR10X C5T 3/8" FIP x 3/8" OD compression, chrome plated, 5-pack
- OR10X CBT 3/8" FIP x 3/8" OD compression, chrome plated, bulk, plain tray
- OR10X CM 3/8" FIP x 3/8" OD compression, chrome plated, contractor pack
- OR10X R 3/8" FIP x 3/8" OD compression, rough brass
- OR10X BZ 3/8" FIP x 3/8" OD compression, oil-rubbed bronze
- OR10X NS 3/8" FIP x 3/8" OD compression, satin nickel

This specification and all information contained herein is the confidential and exclusive property of Brasscraft Manufacturing Co., and shall not be disclosed to others without the written consent of Brasscraft Mfg Co. This specification must be returned to Brasscraft Mfg. Co. if requested.

OR10 / OR12 / OR32 Multi-Turn Straight Stop – Female Iron Pipe x Compression

Part Listing Con't:

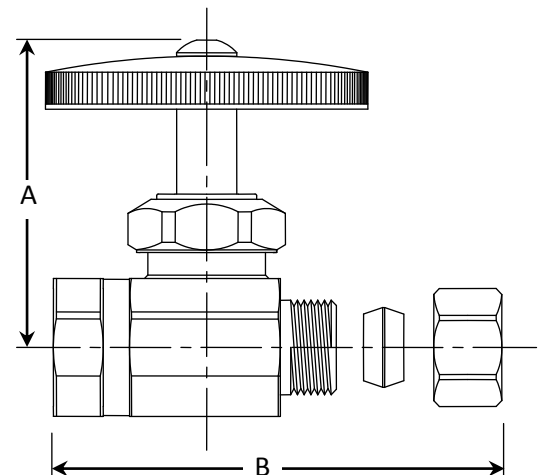
- OR10ZX C 3/8" FIP x 3/8" OD compression, brass stem, chrome plated
- OR12X C 1/2" FIP x 3/8" OD compression, chrome plated
- OR12X C1 1/2" FIP x 3/8" OD compression, chrome plated, window box
- OR12X C5T 1/2" FIP x 3/8" OD compression, chrome plated, 5-pack
- OR12X CBT 1/2" FIP x 3/8" OD compression, chrome plated, bulk, plain tray
- OR12X CM 1/2" FIP x 3/8" OD compression, chrome plated, contractor pack
- OR12X R 1/2" FIP x 3/8" OD compression, rough brass
- OR12X RM 1/2" FIP x 3/8" OD compression, rough brass, contractor pack
- OR12X BZ 1/2" FIP x 3/8" OD compression, oil-rubbed bronze
- OR12X NS 1/2" FIP x 3/8" OD compression, satin nickel
- OR12ZX C 1/2" FIP x 3/8" OD compression, brass stem, chrome plated
- OR32X C 1/2" FIP x 1/2" OD compression, chrome plated
- OR32X C1 1/2" FIP x 1/2" OD compression, chrome plated, window box
- OR32X CD 1/2" FIP x 1/2" OD compression, chrome plated, carded
- OR32X CM 1/2" FIP x 1/2" OD compression, chrome plated, contractor pack
- SSR10X C 3/8" FIP x 3/8" OD compression, screwdriver slot, chrome plated
- STR10X C 3/8" FIP x 3/8" OD compression, stuffing box, chrome plated
- STR12X C 1/2" FIP x 3/8" OD compression, stuffing box, chrome plated



PART DIMENSIONS (Inches)		
Model	DIM. A	DIM. B
OR10X	1.94	2.02
OR10ZX	1.94	2.02
SSR10X	1.63	2.02
STR10X	1.63	2.02
OR12X	1.63	2.07
OR12ZX	1.63	2.07
STR12X	1.94	2.07
OR32X	1.70	2.22

Listings & Certifications:

- IAPMO listed to ASME A112.18.1 / CSA B125.1 (File # 0645)
- CSA listed to ASME A112.18.1 / CSA B125.1 (File # 204593)
- No-lead product CSA listed to NSF 372 (Class 6853-01)



This specification and all information contained herein is the confidential and exclusive property of Brasscraft Manufacturing Co., and shall not be disclosed to others without the written consent of Brasscraft Mfg Co. This specification must be returned to Brasscraft Mfg. Co. if requested.

400.30 OR10_12_32 Multi-Turn Straight Stop-FIPxCompr REV 05/17

BrassCraft[®]

©2017 Brasscraft Manufacturing Co.