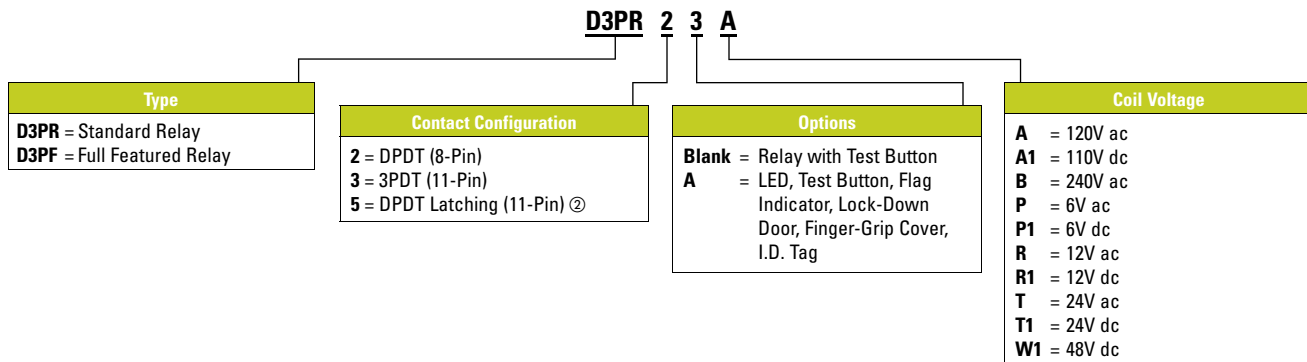


General Purpose Plug-In Relays — D3 Series — Catalog Numbering System ①



① For deciphering Catalog Numbers. Do not use for ordering as not all combinations are readily available.

② D3PR only.

General Purpose Plug-in Relays — D3 Series

- Compact relay capable of breaking relatively large load currents
- The contact operation can be easily checked by push-to-test button
- Panel and DIN-Rail mounting
- 8- or 11-pin octal plug-in



Relay / Socket Quick Reference

Relay Type	Socket Type	Socket	Hold Down Spring/Clip
D3PR2	8-Pin Octal	D3PA2 D3PA4 D3PA6	PQC-1344 Not Available PQC-1332
D3PF2	8-Pin Octal	D3PA2	PQC-1344
	8-Pin Octal — Finger-Safe Terminals	D3PA6	PQC-1332
D3PR3	11-Pin Octal	D3PA3-A2 D3PA5 D3PA7	PQC-1351 Not Available PQC-1332
D3PF3	11-Pin Octal	D3PA3-A2	PQC-1351
	11-Pin Octal — Finger-Safe Terminals	D3PA7	PQC-1332
D3PR5	11-Pin Octal	D3PA3-A2 D3PA5 D3PA7	PQC-1351 Not Available PQC-1332

Industrial Logic

Relays

PRODUCT SELECTION

General Purpose Plug-In Relays — D3 Series

D3 Series

Coil Voltage	Catalog Number
--------------	----------------

Standard DPDT with Test Button

12V ac	D3PR2R
24V ac	D3PR2T
120V ac	D3PR2A
240V ac	D3PR2B
12V dc	D3PR2R1
24V dc	D3PR2T1
110V dc	D3PR2A1

DPDT Full Featured Relay

24V ac	D3PF2AT
120V ac	D3PF2AA
240V ac	D3PF2AB
12V dc	D3PF2AR1
24V dc	D3PF2AT1
110V dc	D3PF2AA1

Standard 3PDT with Test Button

24V ac	D3PR3T
120V ac	D3PR3A
240V ac	D3PR3B
12V dc	D3PR3R1
24V dc	D3PR3T1
110V dc	D3PR3A1

3PDT Full Featured Relay

24V ac	D3PF3AT
120V ac	D3PF3AA
240V ac	D3PF3AB
24V dc	D3PF3AT1
110V dc	D3PF3AA1

DPDT Latching ①

24V ac	D3PR5T
120V ac	D3PR5A

① CSA approval is not applicable to D3PR5 Latching Relays.

D3 Series Sockets and Accessories

Description	Standard Pack	Catalog Number
-------------	---------------	----------------

DIN-Rail Sockets

2-Pole (8-Pin)	10	D3PA2
2-Pole (8-Pin) Finger-Safe ①	10	D3PA6
3-Pole (11-Pin)	10	D3PA3-A2
3-Pole (11-Pin) Finger-Safe ①	10	D3PA7

Panel Mount Sockets

2-Pole	10	D3PA4
3-Pole	10	D3PA5

Accessories

Hold Down Clip	10	PQC-1344
Hold Down Clip	25	PQC-1332
Hold Down Clip	10	PQC-1351
Hold Down Clip	100	PWC-1325
Coil Buss Jumper for D3PA6 & D3PA7	25	D3PJ1
DIN-Rail End Stop	100	PPF-M

① IP20 rated.