

CANTEX INC.
301 Commerce Ste 2700
Fort Worth, Texas 76102
817-215-7000
Fax: 817-215-7001



- Conduit**
- Fittings & Accessories**
- Directional Drilling Conduit**
- Utility Duct**
- Telephone Duct**
- Residential Boxes**

YOUR FULL LINE SOURCE FOR PVC ELECTRICAL PRODUCT

Our corporate commitment to our distributors is backed by continuing investments in plant facilities, production capacity, inventory and distribution systems. We have the products you need when you need them.

Table of Contents

| | |
|--|----------------|
| About CANTEX® | 4-6 |
| Schedule 40 / Schedule 80 Fittings & Accessories | 9-17 |
| <i>Couplings, Female Adapters, Terminal Adapters, Pipe Straps, Expansion Couplings, Reducers, Box Adapters, End Caps, Molded Sch. 40 End Bells, Plugs, Pull Elbows, Sealing Washers, Strain Relief Connectors, Insulating Bushings, Sch. 40 Longline Couplings, Sch. 40 Swedged Couplings, Sch. 40 Split Sleeve Coupling, Fabricated End Bells</i> | |
| Standard Radius Elbows, Plain End & Bell End | 18-21 |
| Sch. 40 Special Radius Elbows, Plain End & Bell End | 22-34 |
| Sch. 80 Standard Radius Elbows, Plain End & Bell End | 35-38 |
| Sch. 80 Special Radius Elbows, Plain End & Bell End | 39-43 |
| Conduit Bodies | 47-49 |
| Junction Boxes, Floor Boxes & Accessories | 50-51 |
| Exposed Electrical Boxes & Weatherproof Covers | 55-67 |
| Fittings for Type EB and DB Utility Duct | 71-76 |
| <i>Terminal Adapters, Female Adapters, Longline Couplings, 5° Couplings Fabricated, TC6 End Bells, Reducers, TC6 End Bells, Stoppers, Caps, Poly Plugs</i> | |
| Special Radius Elbows for Type EB and DB Utility Duct Bell End | 77-84 |
| Type EB/DB Accessories | 87-93 |
| <i>Service Entrance Caps, Meter Offsets, Offsets, Expansion Joints, Service Risers, Spacers</i> | |
| Schedule 40 Conduit | 97 |
| Schedule 80 Conduit | 98 |
| Forte-Duct® | 99 |
| Split Duct & Accessories | 100 |
| NEMA DBHM Utility Duct, NEMA EBHM Utility Duct, DB-100 | 101-102 |
| P&C Flexible Utility Duct | 103 |
| EZ-Flex® Nonmetallic Tubing, ENT Accessories and ENT Boxes | 107-109 |
| Enviro-Flex Liquid Tight Conduit & Fittings | 113-115 |
| Direction Drilling Schedule 40 Conduit | 117-119 |
| Telephone Conduit and Fittings | 123-138 |
| Solvent Cement & Primer | 141 |
| EZ Box® Residential Boxes | 145-164 |
| Conduit Installation Guidelines | 168-173 |
| Conduit Engineering and Design Data | 174-177 |
| Conduit & Utility Duct Packaging Data | 178-179 |
| Limited Warranty | 180 |
| Authorized Distributor Policy | 181-182 |

PVC PRODUCTS

CANTEX is a leading producer of PVC products, with eight manufacturing facilities located strategically from east to west across the country. These facilities feature some of the most modern production equipment and advanced process technology found anywhere in the industry. Production facilities include extrusion, injection molding, and fabrication processes to produce the broad lines of PVC Products which serve the power, utility, building construction, and communications markets.

CANTEX PVC Products had its beginning over 40 years ago, as a division of a national corporation in the utility and building construction industry. The Plastics Division grew steadily in size and importance. Its product lines expanded into several major categories:

- Electrical distributors and contractors were provided with a broad line of PVC conduit and fittings.
- Power and utility companies were supplied with underground PVC duct and fittings.
- For the communications industry, PVC conduit and fittings were made available to telephone and cable companies for underground cable installations.
- Municipal public works needs were met with PVC pipe for distribution and collection.
- The commercial market need was fulfilled with PVC plumbing pipe.

ELECTRICAL PRODUCT LINE

CANTEX offers a complete line of extruded and injection molded electrical conduit, duct, fittings, accessories, switch and outlet boxes. Products include a full range of sizes in:

- Schedule 40 & 80 Conduit
- Electrical Fittings & Accessories – Molded & Fabricated
- Schedule 40 Conduit for Directional Drilling Applications
- Utility Duct – NEMA TC-6 & 8 - EB35, DB60, DB100, DB120
- Schedule 40 Forte-Duct® Cellular Core PVC Conduit
- Duct Fittings & Accessories
- Elbows, Bends & Sweeps – Standard & Special Radius
- EZ-FLEX® Electrical Nonmetallic Tubing & Fittings
- ENVIRO-FLEX® Liquid Tight Conduit & Fittings
- Telephone Conduit – Types B-C-D
- EZ BOX® Wall and Ceiling Switch and Outlet Boxes
- Cements

SERVICE

CANTEX stands for a commitment to service – service that puts the customer first. Our efficient transportation system means on-time deliveries anywhere in the U.S. The CANTEX customer service team is staffed by professionals who provide immediate response and effective communications about orders and shipments.

At the NEW CANTEX, WE WORK FOR THE CUSTOMER.

INDUSTRY ORGANIZATIONS

CANTEX actively supports those organizations which set standards and promote professional practices in the electrical industry. These include NEMRA, NAED, IAEI, IEEE, along with other associations in the construction industry.

QUALITY ASSURANCE

CANTEX has a comprehensive quality control program to ensure compliance with industry standards established by Underwriters Laboratories, National Electrical Code, the American Society for Testing and Materials and Canadian Standards Association.

From virgin raw materials blended into compounds through extrusion or injection molding to final inspection and testing of the finished product, the manufacturing process is monitored to make sure quality standards are met or exceeded.

Each plant is graded and held accountable for the quality control performance of its total output.

To further strengthen the company's goal for quality products, a centralized quality control review procedure assures that every plant is producing at a consistent level of quality for all similar products. You know you're getting the very best every time you buy from CANTEX.

PVC ELECTRICAL STANDARDS BY PRODUCT

Schedule 40 Conduit

UL 651, NEMA TC-2 and NEC-Article 352
CSA C22.2 No. 211.2

Schedule 80 Conduit

UL 651, NEMA TC-2 and NEC-Article 352

PVC Electrical Fittings

Fittings for electrical applications conform to one or more of the following specifications:
NEMA TC-3 and UL 514B, UL651,
NEMA TC-6&8, ASTM F-512, UL 50,
CSA 22.2 No. 211.2 85-M89

Utility Duct - Extra Strength

NEMA TC 6&8 and ASTM F-512

Utility Duct Fittings

NEMA TC-9

EZ-FLEX ENT (Electrical Nonmetallic Tubing) & Fittings

NEMA TC-13 and NEC Article 362 UL 1653

ENVIRO-FLEX Liquidtight Conduit

UL1660, NEC 356
CSA 22.2 No. 227.2.1

ENVIRO-FLEX Liquidtight Fittings

UL 514B and NEMA FB-1

Uniform Product Code

UPC-A

Item bar code identifies a single product unit.



UPC-ITF

Shipping container bar code identifies each standard carton of products.



Schedule 40 and Schedule 80 Fittings and Accessories



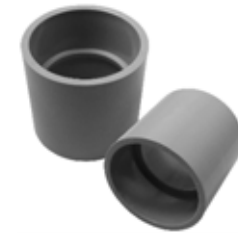
Schedule 40 / Schedule 80 Fittings & Accessories

Standard UL Coupling

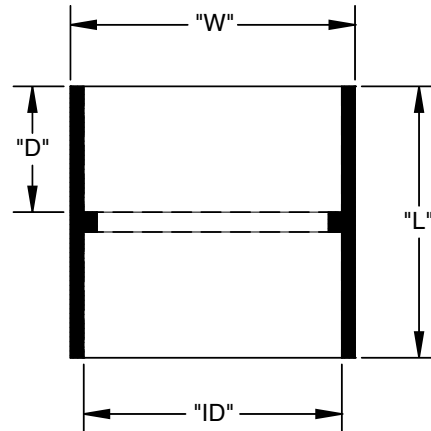
| Part Number | Trade Size | Carton Qty. | "W" | "L" | "ID" | "D" |
|-------------|------------|-------------|--------|-------|-------|-------|
| 6141623 | 1/2 | 200 | 1.063 | 1.500 | .875 | .625 |
| 6141624 | 3/4 | 125 | 1.313 | 1.563 | 1.063 | .625 |
| 6141625 | 1 | 70 | 1.625 | 2.000 | 1.313 | 1.000 |
| 6141626 | 1-1/4 | 40 | 2.000 | 2.125 | 1.688 | 1.000 |
| 6141627 | 1-1/2 | 30 | 2.250 | 2.375 | 1.938 | 1.063 |
| 6141628 | 2 | 40 | 2.688 | 2.438 | 2.375 | 1.250 |
| 6141629 | 2-1/2 | 20 | 3.250 | 3.500 | 2.875 | 1.750 |
| 6141630 | 3 | 40 | 4.000 | 3.875 | 3.500 | 1.188 |
| 6141631 | 3-1/2 | 30 | 4.1250 | 4.000 | 4.000 | 1.938 |
| 6141632 | 4 | 20 | 5.000 | 4.188 | 4.500 | 2.000 |
| 6141633 | 5 | 10 | 6.125 | 5.375 | 5.625 | 2.500 |
| 6141634 | 6 | 8 | 7.250 | 6.375 | 6.625 | 3.000 |
| * 6141635D | 8 | 1 | -- | -- | -- | -- |

* Not UL Listed

Dimensions are nominal



A connector used to join lengths of conduit pipe. The fitting consists of two solvent weld female ends with a center stop. Both pieces of pipe should seat at the stop for proper positioning.



Female Adapter

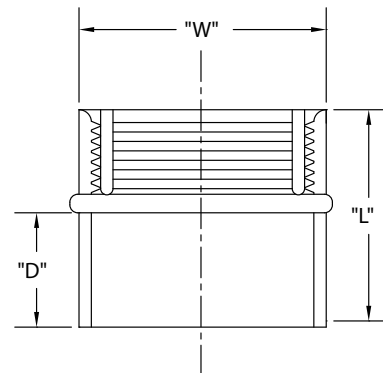
| Part Number | Trade Size | Carton Qty. | "W" | "L" | "D" |
|-------------|------------|-------------|-------|-------|-------|
| 5140043 | 1/2 | 200 | 1.000 | 1.438 | .688 |
| 5140044 | 3/4 | 125 | 1.250 | 1.625 | .688 |
| 5140045 | 1 | 70 | 1.563 | 1.875 | .875 |
| 5140046 | 1-1/4 | 40 | 2.000 | 1.938 | .938 |
| 5140047 | 1-1/2 | 30 | 2.250 | 2.125 | .938 |
| 5140048 | 2 | 40 | 2.688 | 2.125 | .938 |
| 5140049 | 2-1/2 | 20 | 3.313 | 3.000 | 1.313 |
| 5140050 | 3 | 40 | 4.000 | 3.063 | 1.250 |
| 5140051 | 3-1/2 | 30 | 4.500 | 3.000 | 1.188 |
| 5140052 | 4 | 20 | 5.000 | 3.250 | 1.375 |
| 5140053 | 5 | 10 | 6.125 | 3.688 | 1.313 |
| 5140054 | 6 | 8 | 7.250 | 4.375 | 1.625 |
| * 5140055D | 8 | 2 | 9.313 | 7.000 | 2.250 |

* Not UL Listed

Dimensions are nominal



A connector often used to transition threaded metal conduit to PVC conduit. It can also be used to join PVC to PVC. The fittings consist of two female ends. One end is threaded and the other is solvent weld. Both ends will fit the same diameter conduit.



Schedule 40 / Schedule 80 Fittings & Accessories

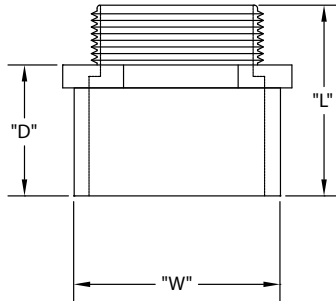
Terminal (Male) Adapter

A connector used to transition from plain end PVC conduit to a threaded metal or plastic female bell. Can also be used to connect PVC conduit to a box or other threaded body with use of a lock nut. The fitting consists of one solvent weld female end and one threaded male end. Both ends will fit the same diameter conduit.

1/2" thru 1-1/2" Terminal (Male) Adapter



1/2" thru 1-1/2"



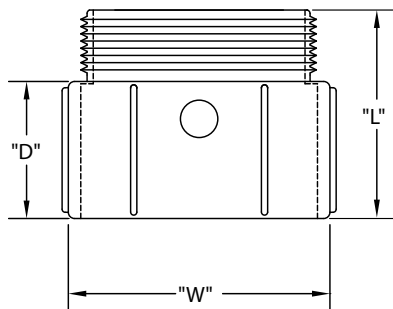
| Part Number | Trade Size | Carton Qty. | "W" | "L" | "D" |
|-------------|------------|-------------|-------|-------|-------|
| 5140103 | 1/2 | 200 | 1.063 | 1.688 | 1.125 |
| 5140104 | 3/4 | 125 | 1.250 | 1.750 | 1.188 |
| 5140105 | 1 | 70 | 1.625 | 2.188 | 1.500 |
| 5140106 | 1-1/4 | 40 | 2.000 | 2.125 | 1.313 |
| 5140107 | 1-1/2 | 30 | 2.000 | 2.063 | 1.313 |

Dimensions are nominal

2" thru 6" Terminal (Male) Adapter



2" and Larger



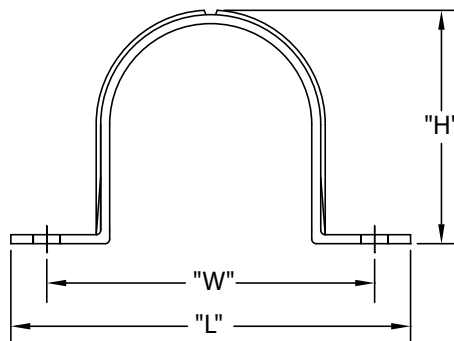
| Part Number | Trade Size | Carton Qty. | "W" | "L" | "D" |
|-------------|------------|-------------|-------|-------|-------|
| 5140108 | 2 | 40 | 2.688 | 2.188 | 1.375 |
| 5140109 | 2-1/2 | 20 | 3.313 | 2.875 | 2.000 |
| 5140110 | 3 | 40 | 3.938 | 3.000 | 2.188 |
| 5140111 | 3-1/2 | 30 | 4.500 | 3.188 | 2.563 |
| 5140112 | 4 | 20 | 5.000 | 3.438 | 2.563 |
| 5140113 | 5 | 10 | 6.250 | 4.750 | 3.000 |
| 5140114 | 6 | 8 | 7.313 | 4.938 | 2.688 |
| 5140115D | 8 | 2 | -- | -- | -- |

Dimensions are nominal

Conduit Clamps (Pipe Straps)



A u-shaped conduit support device used to anchor conduit to interior or exterior surfaces. Two holes in the feet of the clamp allow mounting with screws or nails.



| Part Number | Trade Size | Carton Qty. | "W" | "L" | "H" |
|-------------|------------|-------------|-------|-------|-------|
| 5133736 | 1/2 | 300 | 1.688 | 2.188 | 1.000 |
| 5133737 | 3/4 | 200 | 2.000 | 2.500 | 1.250 |
| 5133738 | 1 | 200 | 2.250 | 2.813 | 1.500 |
| 5133733 | 1-1/4 | 200 | 2.500 | 3.125 | 1.813 |
| 5133734 | 1-1/2 | 200 | 2.688 | 3.375 | 2.125 |
| 5133735 | 2 | 200 | 3.313 | 4.000 | 2.563 |
| 5133739 | 2-1/2 | 100 | 4.563 | 5.500 | 3.000 |
| 5133740 | 3 | 100 | 5.125 | 6.000 | 3.563 |
| 5133353 | 4 | 100 | 6.000 | 7.000 | 4.625 |

Dimensions are nominal

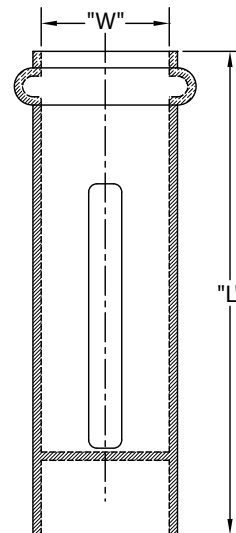
Schedule 40 / Schedule 80 Fittings & Accessories

Expansion Couplings - One Piece

| Part Number | Trade Size | Carton Qty. | "W" | "L" | Travel Length |
|-------------|------------|-------------|-------|--------|---------------|
| 5144026 | 1/2 | 50 | 1.000 | 5.813 | 4.000 |
| 5144015 | 3/4 | 50 | 1.313 | 6.375 | 4.000 |
| 5144016 | 1 | 50 | 1.563 | 6.750 | 5.000 |
| 5144017 | 1-1/4 | 25 | 2.000 | 7.250 | 5.000 |
| 5144018 | 1-1/2 | 25 | 2.188 | 7.438 | 5.000 |
| 5144019 | 2 | 25 | 2.688 | 8.438 | 6.000 |
| 5144020 | 2-1/2 | 5 | 3.188 | 8.875 | 6.000 |
| 5144021 | 3 | 10 | 4.000 | 9.250 | 6.000 |
| 5144023 | 4 | 5 | 5.000 | 10.000 | 7.000 |

Dimensions are nominal

| | |
|------------------------|------------------------|
| 1/2" through 3/4" | 2" through 3" |
| Maximum Expansion - 4" | Maximum Expansion - 6" |
| 1" through 1-1/2" | 3-1/2" through 4" |
| Maximum Expansion - 5" | Maximum Expansion - 7" |



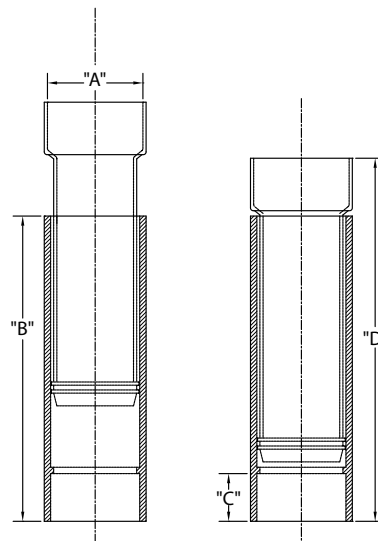
Expansion Couplings - Two Piece

| Part Number | Trade Size | Carton Qty. | "A" | "B" | "C" | "D" |
|-------------|------------|-------------|-------|--------|-------|--------|
| 5144031 | 1/2 | 25 | .875 | 7.000 | .688 | 8.125 |
| 5144032 | 3/4 | 10 | 1.063 | 7.000 | .875 | 8.125 |
| 5144033 | 1 | 10 | 1.313 | 7.063 | 1.000 | 8.375 |
| 5144034 | 1-1/4 | 5 | 1.688 | 7.625 | 1.000 | 9.000 |
| 5144035 | 1-1/2 | 5 | 1.938 | 7.563 | 1.125 | 9.000 |
| 5144036 | 2 | 25 | 2.375 | 7.688 | 1.188 | 9.250 |
| 5144037 | 2-1/2 | 12 | 2.875 | 12.000 | 1.875 | 14.938 |
| 5144038 | 3 | 12 | 3.500 | 12.000 | 1.875 | 14.938 |
| 5144039 | 3-1/2 | 6 | 4.000 | 12.375 | 2.000 | 14.875 |
| 5144040 | 4 | 6 | 4.500 | 12.313 | 2.125 | 14.875 |
| 5144041 | 5 | 1 | 5.563 | 19.250 | 2.938 | 24.000 |
| 5144042 | 6 | 1 | 6.625 | 20.813 | 3.000 | 26.375 |

Dimensions are nominal

| | |
|------------------------|------------------------|
| 1/2" through 2" | 2-1/2" through 6" |
| Maximum Expansion - 4" | Maximum Expansion - 8" |

A two piece coupling with solvent weld bells in each end. The spigot part of the joint slides through an internal o-ring to compensate for temperature changes.

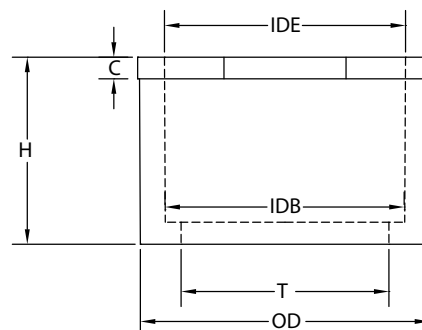


Schedule 40 / Schedule 80 Fittings & Accessories

Reducers

| Part Number | Trade Size | Carton Qty. | "H" | "C" | "T" | "OD" | "IDE" | "IDB" |
|-------------|---------------|-------------|-------|------|-------|-------|-------|-------|
| 5142220 | 3/4 x 1/2 | 100 | 1.000 | .120 | .630 | 1.050 | .852 | .836 |
| 5142230 | 1 x 1/2 | 100 | -- | -- | -- | -- | -- | -- |
| 5142221 | 1 x 3/4 | 100 | 1.180 | .120 | .834 | 1.315 | 1.064 | 1.046 |
| 5142222 | 1-1/4 x 1 | 50 | 1.420 | .140 | 1.059 | 1.660 | 1.330 | 1.310 |
| 5142251 | 1-1/2 x 1 | 25 | -- | -- | -- | -- | -- | -- |
| 5142223* | 1-1/2 x 1-1/4 | 50 | 1.370 | .180 | 1.392 | 1.900 | 1.677 | 1.655 |
| 5142224* | 2 x 1-1/2 | 25 | 1.600 | .250 | 1.622 | 2.375 | 1.918 | 1.894 |
| 5142225* | 2-1/2 x 2 | 25 | 1.900 | .250 | 2.076 | 2.875 | 2.391 | 2.370 |
| 5140867 | 3 x 2 | 25 | 2.24 | .250 | 2.085 | 3.500 | 2.393 | 2.362 |
| 5142226* | 3 x 2-1/2 | 25 | 2.250 | .250 | 2.484 | 3.500 | 2.890 | 2.868 |
| 5142227* | 4 x 3 | 20 | 2.600 | .370 | 3.083 | 4.500 | 3.515 | 3.492 |
| 5142229* | 4 x 3-1/2 | 20 | 2.600 | .400 | 3.598 | 4.500 | 4.015 | 3.992 |

A bushing designed to fit into a bell end or female fitting to reduce from one diameter to the next smaller conduit diameter. Male and female elements of the bushing are solvent weld.



* CSA Certified

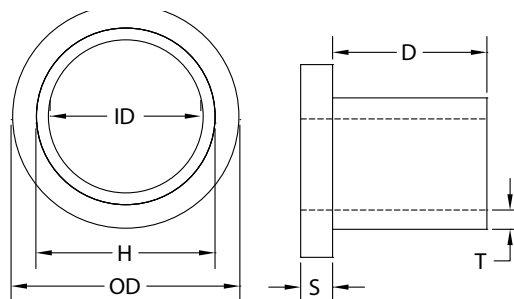
Dimensions are nominal

Box Adapters

| Part Number | Trade Size | Carton Qty. | "D" (Min) | "S" (Min) | "OD" | "ID" (Min) | "H" | "T" (Min) |
|-------------|------------|-------------|-----------|-----------|-------|------------|-------|-----------|
| 5133715 | 1/2 | 100 | .700 | .140 | 1.200 | .578 | .840 | .095 |
| 5133716 | 3/4 | 100 | .725 | .140 | 1.400 | .780 | 1.050 | .095 |
| 5133717 | 1 | 100 | .950 | .140 | 1.700 | 1.004 | 1.315 | .100 |
| 5133718 | 1-1/4 | 50 | .990 | .250 | 2.000 | 1.335 | 1.660 | .120 |
| 5133719 | 1-1/2 | 50 | 1.100 | .200 | 2.000 | 1.564 | 1.900 | .120 |
| 5133720 | 2 | 25 | 1.175 | .200 | 2.750 | 2.021 | 2.375 | .130 |
| 5133721* | 2-1/2 | 10 | 1.650 | .300 | 3.350 | 2.424 | 2.875 | .165 |
| 5133722 | 3 | 10 | 1.800 | .325 | 4.200 | 3.008 | 3.500 | .216 |
| 5133723* | 3-1/2 | 10 | 1.870 | .325 | 4.500 | 3.486 | 4.000 | .226 |
| 5133724* | 4 | 10 | 2.020 | .250 | 4.910 | 3.961 | 4.500 | .237 |

Meets NEMA TC3 Requirements
Made of Rigid PVC

Adapter used with the hub inside a box or enclosure. The cylinder protrudes through a hole in the box wall and is solvent welded to a female fitting outside the box or enclosure.



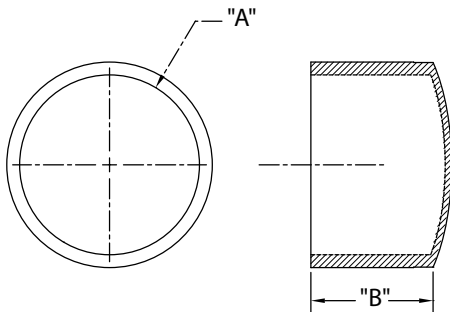
* CSA Certified

Dimensions are nominal

Schedule 40 / Schedule 80 Fittings & Accessories

End Cap

Meets NEMA TC3 Requirements
Made of Rigid PVC



1/2" through 4"
have dome top

5" and 6" have flat top



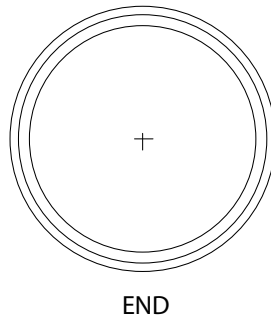
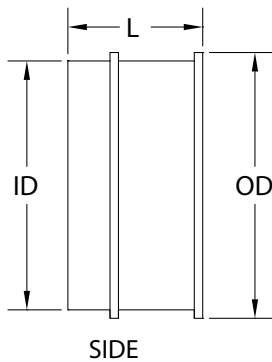
| Part Number | Trade Size | Carton Qty. | "A" | "B" |
|-------------|------------|-------------|-------|-------|
| 5140031 | 1/2 | 100 | .875 | .875 |
| 5140032 | 3/4 | 100 | 1.063 | 1.063 |
| 5140033 | 1 | 50 | 1.375 | 1.250 |
| 5140034 | 1-1/4 | 25 | 1.688 | 1.313 |
| 5140035 | 1-1/2 | 25 | 1.938 | 1.563 |
| 5140037 | 2 | 50 | 2.375 | 1.625 |
| 5140038 | 2-1/2 | 25 | 2.875 | 2.000 |
| 5140039 | 3 | 25 | 3.563 | 2.375 |
| 5140036 | 3-1/2 | 25 | 4.000 | 2.313 |
| 5140040 | 4 | 25 | 4.500 | 2.375 |
| 5140041 | 5 | 25 | 5.563 | 2.500 |
| 5140042 | 6 | 10 | 6.625 | 3.000 |

Dimensions are nominal

Schedule 40 End Bell

Used in concrete vault walls to provide a smooth, safe entrance to the conduit outside. Protects wiring which is being pulled through the vault wall.

Meets requirements of NEMA TC-9



| Part Number | Trade Size | Carton Qty. | "L" | "ID" | "OD" |
|-------------|------------|-------------|--------|-------|--------|
| 5144003 | 1/2 | 100 | 1.000 | .625 | 1.250 |
| 5144004 | 3/4 | 100 | 1.000 | .875 | 1.500 |
| 5144005 | 1 | 50 | 1.250 | 1.063 | 1.750 |
| 5144006 | 1-1/4 | 50 | 1.313 | 1.375 | 2.125 |
| 5144007 | 1-1/2 | 50 | 1.563 | 1.625 | 2.500 |
| 5144008 | 2 | 40 | 1.563 | 2.063 | 2.813 |
| 5144009 | 2-1/2 | 30 | 1.875 | 2.500 | 3.375 |
| 5144010 | 3 | 50 | 2.063 | 3.000 | 4.125 |
| 5144011 | 3-1/2 | 50 | 2.250 | 3.500 | 4.625 |
| 5144012 | 4 | 50 | 2.375 | 4.000 | 5.125 |
| 5144013 | 5 | 25 | 2.438 | 5.063 | 6.375 |
| 5144014 | 6 | 15 | 2.875 | 6.063 | 7.375 |
| 5143987 | *8 | 1 | 10.000 | 8.063 | 10.375 |

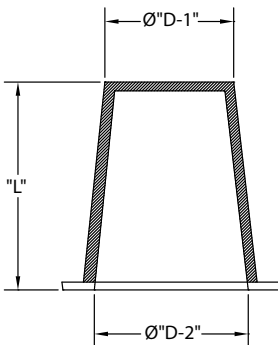
* 8 inch trade size is not UL Listed Dimensions are nominal

Schedule 40 / Schedule 80 Fittings & Accessories

Poly Plug

| Part Number | Trade Size | Carton Qty. | "L" | "D-1" | "D-2" |
|-------------|------------|-------------|-------|-------|-------|
| 5315248 | 2 | 70 | 3.250 | 1.875 | 2.438 |
| 5315250 | 3 | 70 | 3.813 | 2.625 | 3.438 |
| 5315252 | 4 | 90 | 4.063 | 3.688 | 4.438 |
| 5315253 | 5 | 45 | 3.813 | 4.750 | 5.500 |
| 5315254 | 6 | 30 | 3.813 | 5.563 | 6.500 |

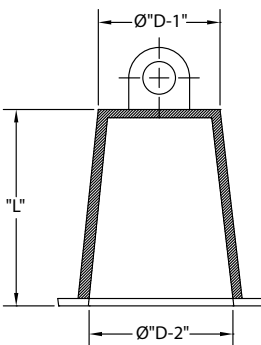
Dimensions are nominal



Poly Plug with Pulling Eye

| Part Number | Trade Size | Carton Qty. | "L" | "D-1" | "D-2" |
|-------------|------------|-------------|-------|-------|-------|
| 5315258 | 2 | 70 | 3.000 | 2.000 | 2.500 |
| 5315259 | 2 1/2 | 70 | 3.000 | 2.125 | 2.750 |
| 5315260 | 3 | 45 | 3.750 | 2.875 | 3.500 |
| 5315262 | 4 | 80 | 3.875 | 3.750 | 4.500 |
| 5315263 | 5 | 45 | 3.750 | 4.875 | 5.625 |
| 5315264 | 6 | 35 | 3.875 | 5.625 | 6.875 |

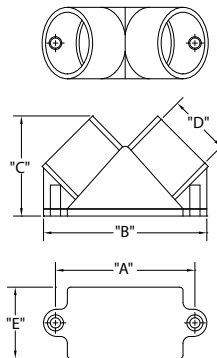
Dimensions are nominal



Pull Elbow

| Part Number | Trade Size | Carton Qty. | "A" | "B" | "C" | "D" | "E" |
|-------------|------------|-------------|-------|-------|-------|-------|-------|
| 5240100 | 1/2 | 75 | 2.125 | 2.625 | 1.500 | .875 | 1.125 |
| 5240101 | 3/4 | 50 | 2.500 | 3.000 | 1.625 | 1.063 | 1.313 |

Dimensions are nominal

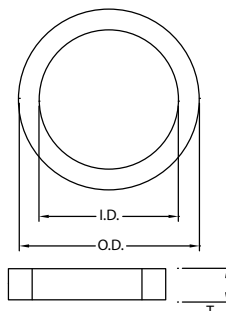


Schedule 40 / Schedule 80 Fittings & Accessories

Sealing Washer

| Part Number | Trade Size | Carton Qty. | "ID" | "OD" | "T" |
|-------------|------------|-------------|-------|-------|------|
| 5163370 | 1/2 | 150 | .880 | 1.200 | .125 |
| 5163371 | 3/4 | 125 | 1.050 | 1.380 | .125 |
| 5163372 | 1 | 100 | 1.340 | 1.650 | .125 |
| 5163374 | 1-3/4 | 50 | 1.680 | 2.050 | .125 |
| 5163373 | 1-1/2 | 25 | 1.900 | 2.280 | .125 |
| 5163375 | 2 | 50 | 2.370 | 2.750 | .125 |

Dimensions are nominal

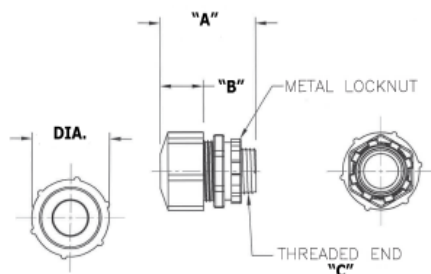


Use with terminal adapters for concrete tight connection.

Strain Relief Connectors

| Part Number | Trade Size | Carton Qty. | "A" MIN IN ASSY | "B" | "C" | "DIA" |
|-------------|------------|-------------|-----------------------|------|------|-------|
| 5133430 | 1/2 | 25 | 1.690 | .910 | .500 | 1.33 |
| 5133431 | 3/4 | 25 | 1.690 | .910 | .750 | 1.33 |

Dimensions are nominal

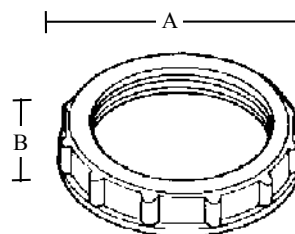


Threaded with lock nut and washer. Supplied with a set of 6 unique grommets for customer choice and use.

Insulating Bushing

| Part Number | Trade Size | Carton Qty. | "A" | "B" |
|-------------|------------|--------------|-------|------|
| 5134200U | 1/2 | 10 Bags of 5 | 1.060 | .430 |
| 5134201U | 3/4 | 10 Bags of 5 | 1.310 | .430 |
| 5134202U | 1 | 10 Bags of 5 | 1.590 | .480 |
| 5134203U | 1-1/4 | 5 Bags of 5 | 1.960 | .560 |
| 5134204U | 1-1/2 | 5 Bags of 5 | 2.180 | .560 |
| 5134205U | 2 | 5 Bags of 5 | 2.680 | .590 |
| 5134206U | 2-1/2 | 10 | 3.250 | .720 |
| 5134207U | 3 | 10 | 3.870 | .750 |

Dimensions are nominal



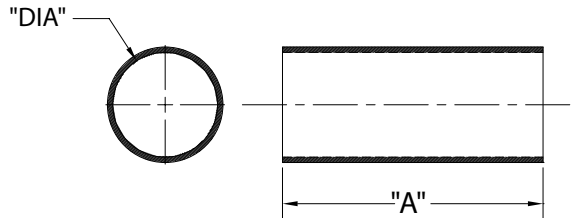
Schedule 40 / Schedule 80 Fittings & Accessories

Schedule 40 Longline Coupling - Fabricated

| Part Number | Trade Size | Carton Qty. | "DIA" | "A" |
|-------------|------------|-------------|-------|-------|
| 6141702 | 1 | 20 | 1.313 | 4.500 |
| 6141703 | 1-1/2 | 20 | 1.875 | 4.875 |
| 6203000 | 2 | 20 | 2.375 | 6.063 |
| 6203002 | 2-1/2 | 20 | 2.875 | 6.000 |
| 6203005 | 3 | 25 | 3.563 | 6.750 |
| 6203006 | 3-1/2 | 25 | 4.000 | 6.375 |
| 6203007 | 4 | 15 | 4.500 | 6.375 |
| 6203009 | 5 | 8 | 5.688 | 8.750 |
| 6203010 | 6 | 4 | 6.688 | 9.750 |

Dimensions are nominal

Fabricated repair coupling with no center stop. Material is rigid PVC.

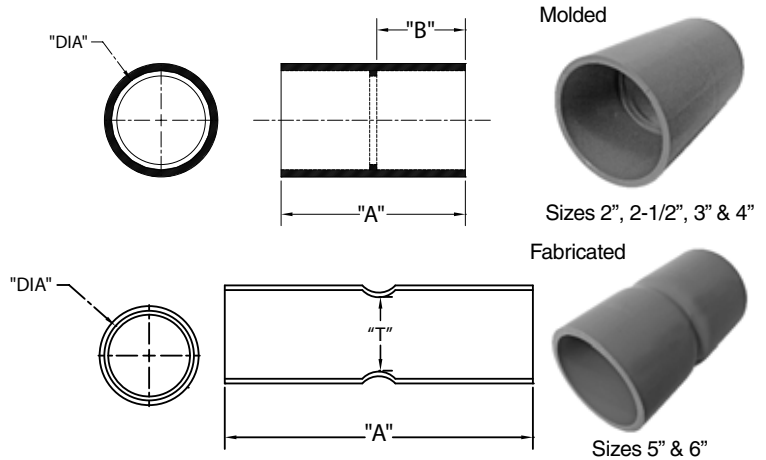


Schedule 40 Longline Coupling

| Part Number | Trade Size | Carton Qty. | "DIA" | "A" | "B" |
|-------------|------------|-------------|-------|-------|-------|
| 6202000 | 2 | 20 | 2.375 | 4.188 | 2.000 |
| 6202002 | 2-1/2 | 25 | 2.875 | 6.313 | 2.750 |
| 6202005 | 3 | 25 | 3.500 | 6.500 | 3.250 |
| 6202010 | 4 | 15 | 4.500 | 7.000 | 3.500 |
| 6202015 | 5 | 8 | 5.563 | 8.313 | 3.625 |
| 6202016 | 6 | 4 | 6.625 | 9.000 | 3.500 |

Dimensions are nominal

Molded repair coupling with center stop. Material is rigid PVC.

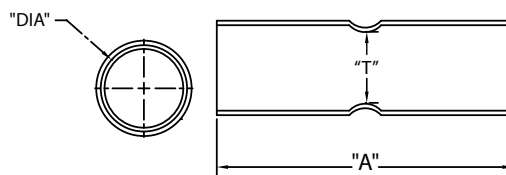


Schedule 40 Swedged Coupling - Fabricated

| Part Number | Trade Size | Carton Qty. | "DIA" | "A" | "B" |
|-------------|------------|-------------|-------|--------|-------|
| 6201001 | 2 | 20 | 2.625 | 8.063 | 2.000 |
| 6201000 | 4 | 15 | 5.000 | 8.000 | 4.000 |
| 6151470 | 5 | 8 | 6.625 | 10.563 | 5.000 |
| 6141720 | 6 | 4 | 8.688 | 12.750 | 6.125 |

Dimensions are nominal

Fabricated repair coupling with center stop. Material is rigid PVC.

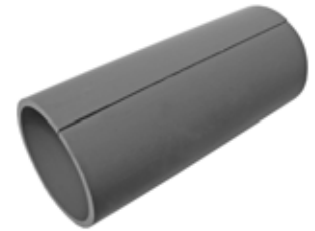


Schedule 40 / Schedule 80 Fittings & Accessories

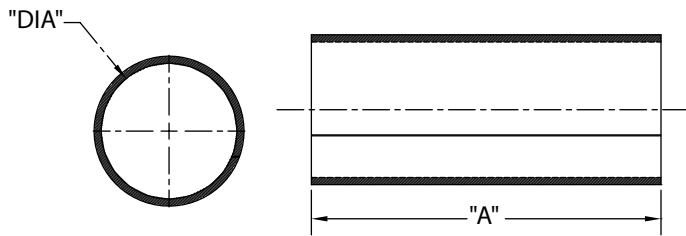
Schedule 40 Split Sleeve Coupling - Fabricated

| Part Number | Trade Size | Carton Qty. | "DIA" | "A" |
|-------------|------------|-------------|-------|--------|
| 6141684 | 2 | 25 | 2.375 | 6.125 |
| 6141685 | 3 | 25 | 3.500 | 6.188 |
| 6141690 | 4 | 15 | 4.563 | 6.250 |
| 6141692 | 5 | 8 | 5.625 | 8.875 |
| 6141693 | 6 | 4 | 6.563 | 10.125 |

For repairs with wires in place.
Material is rigid PVC



Dimensions are nominal



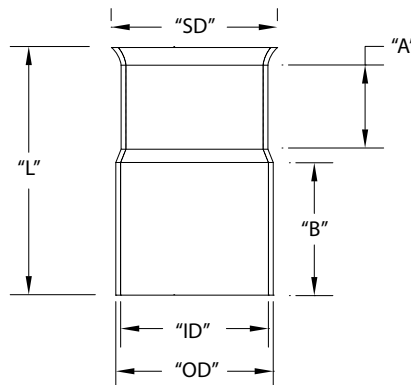
Schedule 40 End Bell - Fabricated

| Part Number | Trade Size | Carton Qty. | "A" | "B" | "L" | "ID" | "OD" | "SD" |
|-------------|------------|-------------|-------|-------|----------------|-------|-------|-------|
| 5143980 | 2 | 50 | 2.000 | 3.000 | 6.000 ± .25 | 2.390 | 2.750 | 3.000 |
| 5143982 | 3 | 50 | 2.000 | 3.000 | 6.000 ± .25 | 3.500 | 3.980 | 4.360 |
| 5143984 | 4 | 45 | 1.625 | 3.625 | 5.750 ± .25 | 4.500 | 5.125 | 5.250 |
| 5143986D | 6 | 15 | 3.000 | 3.500 | 7.000 ± .25 | 6.625 | 7.313 | 5.750 |

NEMA TC-9 Compliant
Material is rigid PVC



Dimensions are nominal



Rigid Nonmetallic Sch. 40 Elbows - Standard Radius

Schedule 40 90° Elbow - Plain End

| Part Number | Trade Size | Carton Qty. | "R" | "O" | "H" | "S" MIN | "L" |
|-------------|------------|-------------|--------|--------|--------|---------|--------|
| 5133823 | 1/2 | 50 | 4.000 | 4.000 | 4.000 | 1.500 | 6.250 |
| 5133824 | 3/4 | 35 | 4.500 | 4.500 | 4.500 | 1.500 | 7.125 |
| 5133825 | 1 | 20 | 5.750 | 5.750 | 5.750 | 1.875 | 9.000 |
| 5133826 | 1-1/4 | 30 | 7.250 | 7.250 | 7.250 | 2.000 | 11.375 |
| 5133827 | 1-1/2 | 30 | 8.250 | 8.250 | 8.250 | 2.000 | 13.000 |
| 5133828 | 2 | 15 | 9.500 | 9.500 | 9.500 | 2.000 | 15.000 |
| 5133829 | 2-1/2 | 18 | 10.500 | 10.500 | 10.500 | 3.000 | 16.500 |
| 5133830 | 3 | 14 | 13.000 | 13.000 | 13.000 | 3.125 | 20.375 |
| 5133831 | 3-1/2 | 12 | 15.000 | 15.000 | 15.000 | 3.250 | 23.500 |
| 5133832 | 4 | 10 | 16.000 | 16.000 | 16.000 | 3.375 | 25.125 |
| 5133835 | 5 | 30* | 24.000 | 24.000 | 24.000 | 3.625 | 37.625 |
| 5133834 | 6 | 25* | 30.000 | 30.000 | 30.000 | 3.750 | 47.125 |

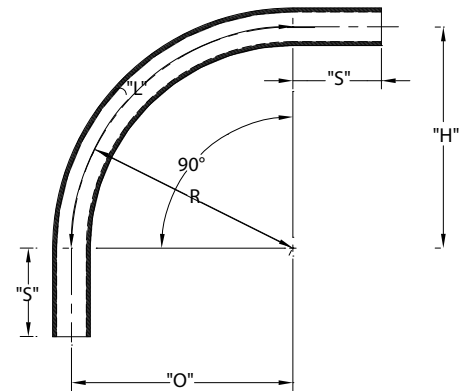
* Pallet Quantity

Dimensions are nominal

Conforms to UL651 and NEMA TC3

Material is Rigid PVC

Bend Tolerance is $\pm 2^\circ$



Schedule 40 45° Elbow - Plain End

| Part Number | Trade Size | Carton Qty. | "R" | "O" | "H" | "S" MIN | "L" |
|-------------|------------|-------------|--------|-------|--------|---------|--------|
| 5133763 | 1/2 | 50 | 4.000 | 1.188 | 2.875 | 1.500 | 3.125 |
| 5133764 | 3/4 | 25 | 4.500 | 1.313 | 3.188 | 1.500 | 3.500 |
| 5133765 | 1 | 20 | 5.750 | 1.688 | 4.000 | 1.875 | 4.500 |
| 5133766 | 1-1/4 | 25 | 7.250 | 2.125 | 5.125 | 2.000 | 5.688 |
| 5133767 | 1-1/2 | 20 | 8.250 | 2.375 | 5.875 | 2.000 | 6.500 |
| 5133768 | 2 | 10 | 9.500 | 2.813 | 6.750 | 2.000 | 7.500 |
| 5133769 | 2-1/2 | 20 | 10.500 | 2.563 | 7.375 | 3.000 | 8.250 |
| 5133770 | 3 | 8 | 13.000 | 3.813 | 9.188 | 3.125 | 10.250 |
| 5133771 | 3-1/2 | 5 | 15.000 | 4.375 | 10.625 | 3.250 | 11.875 |
| 5133772 | 4 | 20 | 16.000 | 4.688 | 11.438 | 3.375 | 12.625 |
| 5133773 | 5 | 30* | 24.00 | 7.000 | 17.000 | 3.625 | 18.875 |
| 5133774 | 6 | 25* | 30.000 | 8.813 | 21.250 | 3.750 | 22.875 |

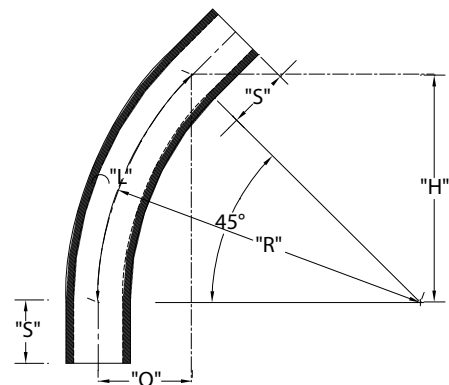
* Pallet Quantity

Dimensions are nominal

Conforms to UL651 and NEMA TC3

Material is Rigid PVC

Bend Tolerance is $\pm 2^\circ$



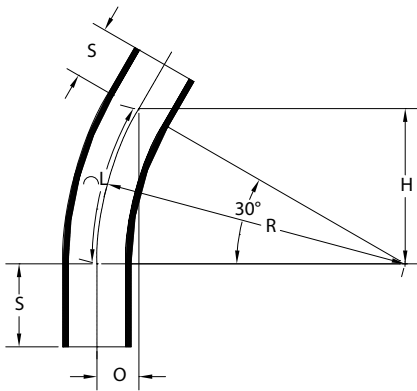
Rigid Nonmetallic Sch. 40 Elbows - Standard Radius

Schedule 40 30° Elbow - Plain End

Conforms to UL651 and NEMA TC3

Material is Rigid PVC

Bend Tolerance is $\pm 2^\circ$



| Part Number | Trade Size | Carton Qty. | "R" | "O" | "H" | "S" MIN | "L" |
|-------------|------------|-------------|--------|-------|--------|---------|--------|
| 5133755 | 1/2 | 50 | 4.000 | .500 | 2.000 | 1.500 | 2.125 |
| 5133744 | 3/4 | 25 | 4.500 | .625 | 2.250 | 1.500 | 2.375 |
| 5133745 | 1 | 20 | 5.750 | .750 | 2.875 | 1.875 | 3.000 |
| 5133746 | 1-1/4 | 25 | 7.125 | 1.000 | 3.625 | 2.000 | 3.813 |
| 5133747 | 1-1/2 | 20 | 8.125 | 1.063 | 4.125 | 2.000 | 4.313 |
| 5133748 | 2 | 10 | 9.500 | 1.250 | 4.750 | 2.000 | 5.000 |
| 5133749 | 2-1/2 | 20 | 10.500 | 1.438 | 5.250 | 3.000 | 5.500 |
| 5133750 | 3 | 8 | 13.000 | 1.750 | 6.500 | 3.125 | 6.813 |
| 5133751 | 3-1/2 | 5 | 15.000 | 2.000 | 7.563 | 3.250 | 7.875 |
| 5133775 | 4 | 20 | 16.000 | 2.063 | 8.000 | 3.375 | 8.375 |
| 5133753 | 5 | 30* | 24.000 | 3.188 | 12.000 | 3.625 | 12.563 |
| 5133754 | 6 | 25* | 30.000 | 4.000 | 15.000 | 3.750 | 15.688 |

* Pallet Quantity

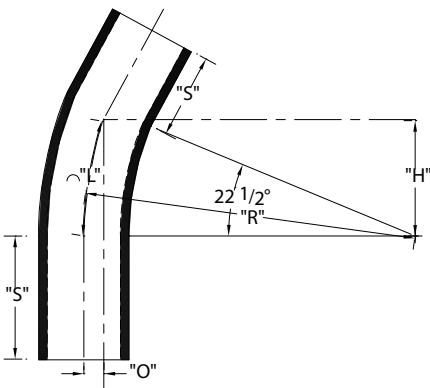
Dimensions are nominal

Schedule 40 22-1/2° Elbow - Plain End

Conforms to UL651 and NEMA TC3

Material is Rigid PVC

Bend Tolerance is $\pm 2^\circ$



| Part Number | Trade Size | Carton Qty. | "R" | "O" | "H" | "S" MIN | "L" |
|-------------|------------|-------------|--------|-------|--------|---------|--------|
| 5136403 | 1-1/4 | 25 | 7.250 | .563 | 2.750 | 2.000 | 2.875 |
| 5134094 | 1-1/2 | 25 | 8.250 | .625 | 3.125 | 2.000 | 3.250 |
| 5134067 | 2 | 10 | 9.500 | .750 | 3.625 | 2.000 | 3.750 |
| 5134096 | 2-1/2 | 20 | 10.500 | .813 | 4.000 | 3.000 | 4.125 |
| 5134068 | 3 | 8 | 13.000 | 1.000 | 5.000 | 3.125 | 5.125 |
| 5134095 | 3-1/2 | 5 | 15.000 | 1.125 | 5.750 | 3.250 | 5.875 |
| 5133757 | 4 | 20 | 16.000 | 1.250 | 6.125 | 3.375 | 6.250 |
| 5134037 | 5 | 60* | 24.000 | 1.813 | 9.188 | 3.625 | 9.375 |
| 5133901 | 6 | 50* | 30.000 | 2.250 | 11.500 | 3.750 | 11.750 |

* Pallet Quantity

Dimensions are nominal

Rigid Nonmetallic Sch. 40 Elbows - Standard Radius

Schedule 40 90° Elbow - Bell End

| Part Number | Trade Size | Carton Qty. | "R" | "O" | "H" | "S" MIN | "B" MIN | "L" |
|-------------|------------|-------------|--------|--------|--------|---------|---------|--------|
| 5233823 | 1/2 | 50 | 4.000 | 4.000 | 4.000 | 1.500 | 1.000 | 6.250 |
| 5233824 | 3/4 | 35 | 4.500 | 4.500 | 4.500 | 1.500 | 1.500 | 7.125 |
| 5233825 | 1 | 20 | 5.750 | 5.75 | 5.75 | 1.875 | 1.500 | 9.000 |
| 5233826 | 1-1/4 | 30 | 7.250 | 7.250 | 7.250 | 2.000 | 1.500 | 11.375 |
| 5233827 | 1-1/2 | 30 | 8.250 | 8.250 | 8.250 | 2.000 | 2.000 | 13.000 |
| 5233828 | 2 | 15 | 9.500 | 9.500 | 9.500 | 2.000 | 2.000 | 15.000 |
| 5233829 | 2-1/2 | 18 | 10.500 | 10.500 | 10.500 | 3.000 | 2.250 | 16.500 |
| 5233830 | 3 | 14 | 13.000 | 13.000 | 13.000 | 3.125 | 2.500 | 20.375 |
| 5233831 | 3-1/2 | 12 | 15.000 | 15.000 | 15.000 | 3.250 | 3.250 | 23.500 |
| 5233832 | 4 | 10 | 16.000 | 16.000 | 16.000 | 3.375 | 3.250 | 25.125 |
| 5233835 | 5 | 30* | 24.000 | 24.000 | 24.000 | 3.625 | 4.250 | 37.625 |
| 5233834 | 6 | 25* | 30.000 | 30.000 | 30.000 | 3.750 | 5.000 | 47.125 |

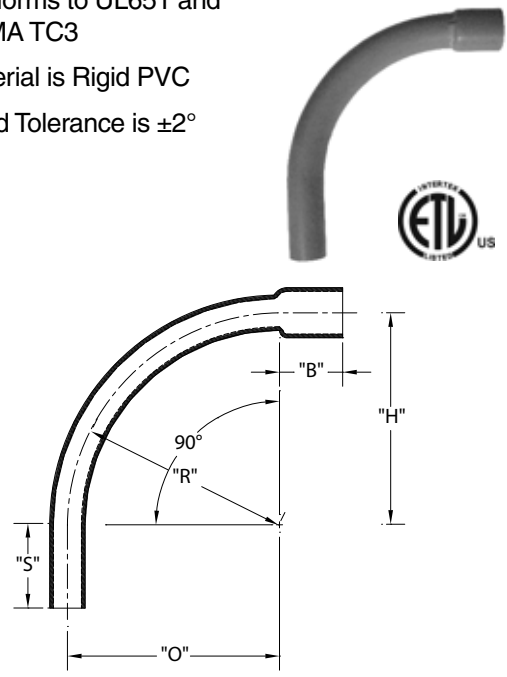
* Pallet Quantity

Dimensions are nominal

Conforms to UL651 and NEMA TC3

Material is Rigid PVC

Bend Tolerance is $\pm 2^\circ$



Schedule 40 45° Elbow - Bell End

| Part Number | Trade Size | Carton Qty. | "R" | "O" | "H" | "S" MIN | "B" MIN | "L" |
|-------------|------------|-------------|--------|-------|--------|---------|---------|--------|
| 5233763 | 1/2 | 50 | 4.000 | 1.188 | 2.813 | 1.500 | 1.000 | 3.125 |
| 5233764 | 3/4 | 25 | 4.500 | 1.313 | 3.188 | 1.500 | 1.500 | 3.500 |
| 5233765 | 1 | 20 | 5.750 | 1.688 | 4.063 | 1.875 | 1.500 | 4.500 |
| 5233766 | 1-1/4 | 25 | 7.250 | 2.125 | 5.125 | 2.000 | 1.500 | 5.688 |
| 5233767 | 1-1/2 | 25 | 8.250 | 2.438 | 5.813 | 2.000 | 2.000 | 6.500 |
| 5233768 | 2 | 10 | 9.500 | 2.813 | 6.750 | 2.000 | 2.000 | 7.500 |
| 5233769 | 2-1/2 | 20 | 10.500 | 3.063 | 7.438 | 3.000 | 2.250 | 8.250 |
| 5233770 | 3 | 8 | 13.000 | 3.813 | 9.188 | 3.500 | 2.500 | 10.188 |
| 5233771 | 3-1/2 | 5 | 15.000 | 4.375 | 10.625 | 3.250 | 3.250 | 11.813 |
| 5233772 | 4 | 20 | 16.000 | 4.688 | 11.188 | 3.375 | 3.250 | 12.563 |
| 5233773 | 5 | 30* | 24.000 | 7.000 | 17.000 | 3.625 | 4.250 | 18.875 |
| 5233774 | 6 | 25* | 30.000 | 8.875 | 21.250 | 3.750 | 5.000 | 23.563 |

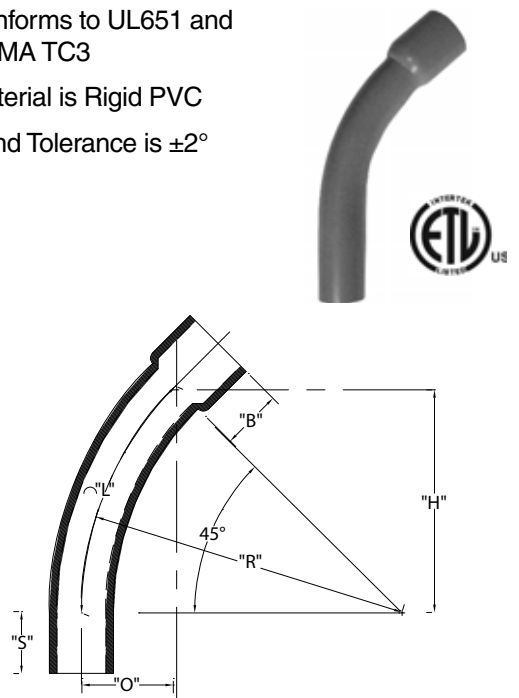
* Pallet Quantity

Dimensions are nominal

Conforms to UL651 and NEMA TC3

Material is Rigid PVC

Bend Tolerance is $\pm 2^\circ$



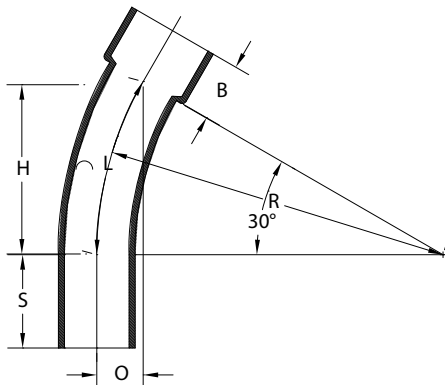
Rigid Nonmetallic Sch. 40 Elbows - Standard Radius

Schedule 40 30° Elbow - Bell End

Conforms to UL651 and NEMA TC3

Material is Rigid PVC

Bend Tolerance is $\pm 2^\circ$



| Part Number | Trade Size | Carton Qty. | "R" | "O" | "H" | "S" MIN | "B" MIN | "L" |
|-------------|------------|-------------|--------|-------|--------|---------|---------|--------|
| 5233748 | 2 | 10 | 9.500 | 1.250 | 4.750 | 2.000 | 2.000 | 5.000 |
| 5233750 | 3 | 8 | 13.000 | 1.750 | 6.500 | 3.125 | 2.500 | 6.813 |
| 5233751 | 3-1/2 | 5 | 15.000 | 2.000 | 7.563 | 3.250 | 3.250 | 7.875 |
| 5233776 | 4 | 20 | 16.000 | 2.063 | 8.000 | 3.375 | 3.250 | 8.375 |
| 5233753 | 5 | 30* | 24.000 | 3.188 | 12.000 | 3.625 | 4.250 | 12.563 |
| 5233754 | 6 | 50* | 30.000 | 4.000 | 15.000 | 3.750 | 5.00 | 15.688 |

* Pallet Quantity

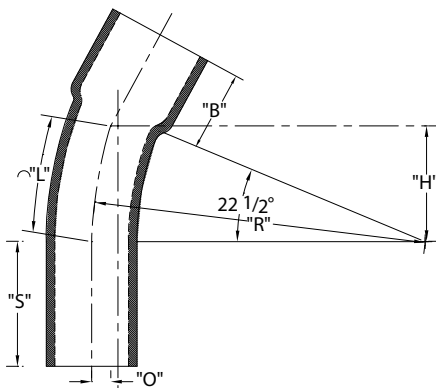
Dimensions are nominal

Schedule 40 22-1/2° Elbow - Bell End

Conforms to UL651 and NEMA TC3

Material is Rigid PVC

Bend Tolerance is $\pm 2^\circ$



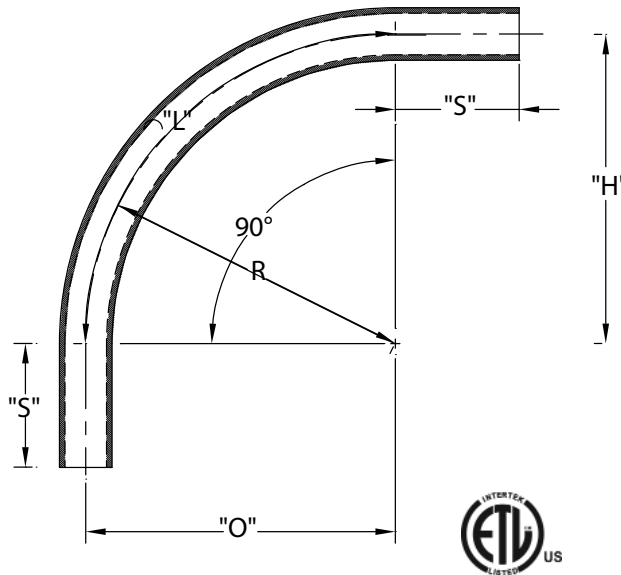
| Part Number | Trade Size | Carton Qty. | "R" | "O" | "H" | "S" MIN | "B" MIN | "L" |
|-------------|------------|-------------|--------|-------|--------|---------|---------|--------|
| 5234097 | 3/4 | 25 | 4.500 | .375 | 1.750 | 1.500 | 1.500 | 1.750 |
| 5236402 | 1 | 20 | 5.750 | .313 | 2.188 | 1.875 | 1.500 | 2.250 |
| 5236403 | 1-1/4 | 25 | 7.250 | .563 | 2.750 | 2.000 | 1.500 | 2.875 |
| 5234094 | 1-1/2 | 20 | 8.250 | .625 | 3.125 | 2.000 | 2.000 | 3.250 |
| 5234067 | 2 | 10 | 9.500 | .750 | 3.625 | 2.000 | 2.000 | 3.750 |
| 5234096 | 2-1/2 | 10 | 10.500 | .813 | 4.000 | 3.000 | 2.250 | 4.125 |
| 5234068 | 3 | 8 | 13.000 | 1.000 | 5.000 | 3.125 | 2.500 | 5.125 |
| 5234095 | 3-1/2 | 5 | 15.000 | 1.125 | 5.750 | 3.250 | 3.250 | 5.875 |
| 5233867 | 4 | 20 | 16.000 | 1.250 | 6.125 | 3.375 | 3.250 | 6.250 |
| 5234037 | 5 | 60* | 24.000 | 1.813 | 9.188 | 3.625 | 4.250 | 9.375 |
| 5233901 | 6 | 50* | 30.000 | 2.250 | 11.500 | 3.750 | 5.000 | 11.750 |

* Pallet Quantity

Dimensions are nominal

Rigid Nonmetallic Sch. 40 Elbows - Special Radius

Schedule 40 90° Elbow Special Radius - Plain End



Schedule 40 90° Elbow 18" Radius Plain End

| Part Number | Trade Size | "R" | "O" | "H" | "S" MIN | "L" |
|-------------|------------|-----|-----|-----|---------|--------|
| 5133846 | 1 | 18 | 18 | 18 | 1.875 | 28.250 |
| 5133923 | 1-1/4 | 18 | 18 | 18 | 2.000 | 28.250 |
| 5133839 | 1-1/2 | 18 | 18 | 18 | 2.000 | 28.250 |
| 5133844 | 2 | 18 | 18 | 18 | 2.000 | 28.250 |
| 5133856 | 2-1/2 | 18 | 18 | 18 | 3.000 | 28.250 |
| 5133858 | 3 | 18 | 18 | 18 | 3.125 | 28.250 |

Dimensions are nominal

Schedule 40 90° Elbow 24" Radius Plain End

| Part Number | Trade Size | "R" | "O" | "H" | "S" MIN | "L" |
|-------------|------------|-----|-----|-----|---------|--------|
| 5133934 | 3/4 | 24 | 24 | 24 | 1.500 | 37.750 |
| 5133859 | 1 | 24 | 24 | 24 | 1.875 | 37.750 |
| 5133883 | 1-1/4 | 24 | 24 | 24 | 2.000 | 37.750 |
| 5133873 | 1-1/2 | 24 | 24 | 24 | 2.000 | 37.750 |
| 5133836 | 2 | 24 | 24 | 24 | 2.000 | 37.750 |
| 5133847 | 2-1/2 | 24 | 24 | 24 | 3.000 | 37.750 |
| 5133837 | 3 | 24 | 24 | 24 | 3.125 | 37.750 |
| 5133893 | 3-1/2 | 24 | 24 | 24 | 3.250 | 37.750 |
| 5133822 | 4 | 24 | 24 | 24 | 3.375 | 37.750 |

Dimensions are nominal

Schedule 40 90° Elbow 30" Radius Plain End

| Part Number | Trade Size | "R" | "O" | "H" | "S" MIN | "L" |
|-------------|------------|-----|-----|-----|---------|--------|
| 5134147 | 3/4 | 30 | 30 | 30 | 1.500 | 47.125 |
| 5136340 | 1 | 30 | 30 | 30 | 1.875 | 47.125 |
| 5133878 | 1-1/4 | 30 | 30 | 30 | 2.000 | 47.125 |
| 5133921 | 1-1/2 | 30 | 30 | 30 | 2.000 | 47.125 |
| 5133920 | 2 | 30 | 30 | 30 | 2.000 | 47.125 |
| 5133981 | 2-1/2 | 30 | 30 | 30 | 3.000 | 47.125 |
| 5133867 | 3 | 30 | 30 | 30 | 3.125 | 47.125 |
| 5133948 | 3-1/2 | 30 | 30 | 30 | 3.250 | 47.125 |
| 5133850 | 4 | 30 | 30 | 30 | 3.375 | 47.125 |
| 5133872 | 5 | 30 | 30 | 30 | 3.625 | 47.125 |

Dimensions are nominal

Schedule 40 90° Elbow 36" Radius Plain End

| Part Number | Trade Size | "R" | "O" | "H" | "S" MIN | "L" |
|-------------|------------|-----|-----|-----|---------|--------|
| 5133949 | 3/4 | 36 | 36 | 36 | 1.500 | 56.500 |
| 5133852 | 1 | 36 | 36 | 36 | 1.875 | 56.500 |
| 5133884 | 1-1/4 | 36 | 36 | 36 | 2.000 | 56.500 |
| 5133866 | 1-1/2 | 36 | 36 | 36 | 2.000 | 56.500 |
| 5133848 | 2 | 36 | 36 | 36 | 2.000 | 56.500 |
| 5133857 | 2-1/2 | 36 | 36 | 36 | 3.000 | 56.500 |
| 5133820 | 3 | 36 | 36 | 36 | 3.125 | 56.500 |
| 5133818 | 3-1/2 | 36 | 36 | 36 | 3.250 | 56.500 |
| 5133821 | 4 | 36 | 36 | 36 | 3.375 | 56.500 |
| 5133841 | 5 | 36 | 36 | 36 | 3.625 | 56.500 |
| 5133877 | 6 | 36 | 36 | 36 | 3.750 | 56.500 |

Dimensions are nominal

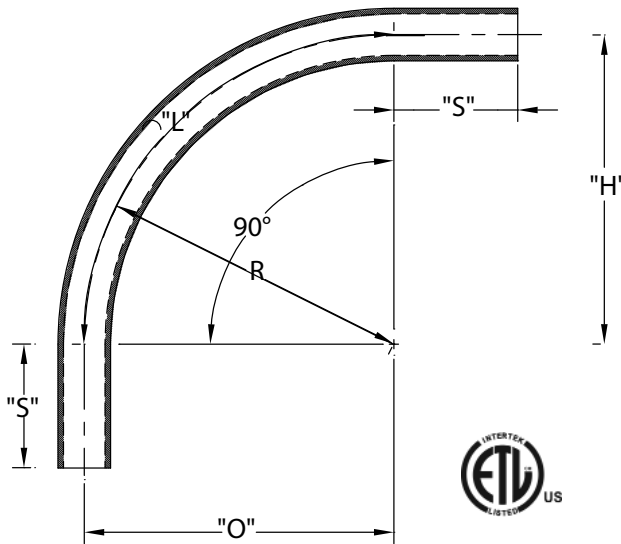
Schedule 40 90° Elbow 48" Radius Plain End

| Part Number | Trade Size | "R" | "O" | "H" | "S" MIN | "L" |
|-------------|------------|-----|-----|-----|---------|--------|
| 5133864 | 1 | 48 | 48 | 48 | 1.875 | 75.375 |
| 5133871 | 1-1/4 | 48 | 48 | 48 | 2.000 | 75.375 |
| 5133865 | 1-1/2 | 48 | 48 | 48 | 2.000 | 75.375 |
| 5133876 | 2 | 48 | 48 | 48 | 2.000 | 75.375 |
| 5133849 | 2-1/2 | 48 | 48 | 48 | 3.000 | 75.375 |
| 5133817 | 3 | 48 | 48 | 48 | 3.125 | 75.375 |
| 5133892 | 3-1/2 | 48 | 48 | 48 | 3.250 | 75.375 |
| 5133843 | 4 | 48 | 48 | 48 | 3.375 | 75.375 |
| 5133842 | 5 | 48 | 48 | 48 | 3.625 | 75.375 |
| 5133816 | 6 | 48 | 48 | 48 | 3.750 | 75.375 |
| 5133993D | 8 | 48 | 48 | 48 | 6.625 | 75.375 |

Dimensions are nominal

Rigid Nonmetallic Sch. 40 Elbows - Special Radius

Schedule 40 90° Elbow Special Radius - Plain End



Schedule 40 90° Elbow 60" Radius Plain End

| Part Number | Trade Size | "R" | "O" | "H" | "S" MIN | "L" |
|-------------|------------|-----|-----|-----|---------|--------|
| 5133786 | 2 | 60 | 60 | 60 | 2.000 | 94.250 |
| 5134046 | 2-1/2 | 60 | 60 | 60 | 3.000 | 94.250 |
| 5133819 | 3 | 60 | 60 | 60 | 3.125 | 94.250 |
| 5133925 | 3-1/2 | 60 | 60 | 60 | 3.250 | 94.250 |
| 5133854 | 4 | 60 | 60 | 60 | 3.375 | 94.250 |
| 5133885 | 5 | 60 | 60 | 60 | 3.625 | 94.250 |
| 5133886 | 6 | 60 | 60 | 60 | 3.750 | 94.250 |

Dimensions are nominal

Schedule 40 90° Elbow 72" Radius Plain End

| Part Number | Trade Size | "R" | "O" | "H" | "S" MIN | "L" |
|-------------|------------|-----|-----|-----|---------|---------|
| 5133860 | 2 | 72 | 72 | 72 | 2.000 | 113.125 |
| 5134155 | 3 | 72 | 72 | 72 | 3.125 | 113.125 |
| 5133787 | 4 | 72 | 72 | 72 | 3.375 | 113.125 |
| 5134024 | 5 | 72 | 72 | 72 | 3.625 | 113.125 |
| 5133928 | 6 | 72 | 72 | 72 | 3.750 | 113.125 |

Dimensions are nominal

Schedule 40 90° Elbow 84" Radius Plain End

| Part Number | Trade Size | "R" | "O" | "H" | "S" MIN | "L" |
|-------------|------------|-----|-----|-----|---------|-----|
| 5134049 | 6 | 84 | 84 | 84 | 3.75 | 132 |

Dimensions are nominal

Schedule 40 90° Elbow 96" Radius Plain End

| Part Number | Trade Size | "R" | "O" | "H" | "S" MIN | "L" |
|-------------|------------|-----|-----|-----|---------|---------|
| 5134025 | 5 | 96 | 96 | 96 | 3.625 | 150.875 |
| 5134015 | 6 | 96 | 96 | 96 | 3.750 | 150.875 |

Dimensions are nominal

Schedule 40 90° Elbow 120" Radius Plain End

| Part Number | Trade Size | "R" | "O" | "H" | "S" MIN | "L" |
|-------------|------------|-----|-----|-----|---------|---------|
| 5133927 | 4 | 120 | 120 | 120 | 3.375 | 188.500 |
| 5134007 | 6 | 120 | 120 | 120 | 3.750 | 188.500 |

Dimensions are nominal

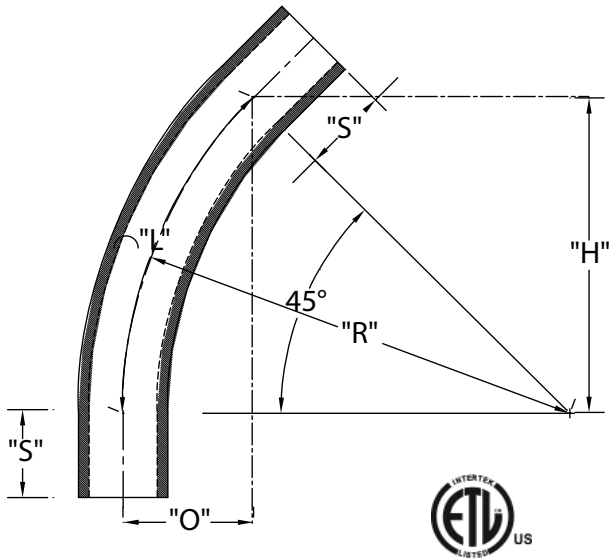
Schedule 40 90° Elbow 150" Radius Plain End

| Part Number | Trade Size | "R" | "O" | "H" | "S" MIN | "L" |
|-------------|------------|-----|-----|-----|---------|---------|
| 5133992 | 4 | 150 | 150 | 150 | 3.375 | 235.625 |
| 5134059 | 5 | 150 | 150 | 150 | 3.625 | 235.625 |

Dimensions are nominal

Rigid Nonmetallic Sch. 40 Elbows - Special Radius

Schedule 40 45° Elbow Special Radius - Plain End



Schedule 40 45° Elbow 30" Radius Plain End

| Part Number | Trade Size | "R" | "O" | "H" | "S" MIN | "L" |
|-------------|------------|--------|-------|--------|---------|-------|
| 5136341 | 1 | 30.000 | 8.688 | 21.250 | 1.875 | 2.563 |
| 5136348 | 1-1/2 | 30.000 | 8.688 | 21.250 | 2.000 | 2.563 |
| 5133918 | 2 | 30.000 | 8.688 | 21.250 | 2.000 | 2.563 |
| 5133896 | 2-1/2 | 30.000 | 8.688 | 21.250 | 3.000 | 2.563 |
| 5133897 | 3 | 30.000 | 8.688 | 21.250 | 3.125 | 2.563 |
| 5133953 | 4 | 30.000 | 8.688 | 21.250 | 3.375 | 2.563 |
| 5133954 | 5 | 30.000 | 8.688 | 21.250 | 3.625 | 2.563 |

Dimensions are nominal

Schedule 40 45° Elbow 36" Radius Plain End

| Part Number | Trade Size | "R" | "O" | "H" | "S" MIN | "L" |
|-------------|------------|--------|--------|--------|---------|--------|
| 5133950 | 3/4 | 36.000 | 10.500 | 25.500 | 1.500 | 28.250 |
| 5133919 | 1 | 36.000 | 10.500 | 25.500 | 1.875 | 28.250 |
| 5133956 | 1-1/4 | 36.000 | 10.500 | 25.500 | 2.000 | 28.250 |
| 5133810 | 1-1/2 | 36.000 | 10.500 | 25.500 | 2.000 | 28.250 |
| 5133778 | 2 | 36.000 | 10.500 | 25.500 | 2.000 | 28.250 |
| 5133801 | 2-1/2 | 36.000 | 10.500 | 25.500 | 3.000 | 28.250 |
| 5133779 | 3 | 36.000 | 10.500 | 25.500 | 3.125 | 28.250 |
| 5133939 | 3-1/2 | 36.000 | 10.500 | 25.500 | 3.250 | 28.250 |
| 5133777 | 4 | 36.000 | 10.500 | 25.500 | 3.375 | 28.250 |
| 5133780 | 5 | 36.000 | 10.500 | 25.500 | 3.625 | 28.250 |
| 5133880 | 6 | 36.000 | 10.500 | 25.500 | 3.750 | 28.250 |
| 5133988D | 8* | 36.000 | 10.500 | 25.500 | 6.625 | 28.250 |

*Not ETL Listed

Dimensions are nominal

Schedule 40 45° Elbow 18" Radius Plain End

| Part Number | Trade Size | "R" | "O" | "H" | "S" MIN | "L" |
|-------------|------------|--------|-------|-------|---------|--------|
| 5134008 | 1 | 18.000 | 5.250 | 12.75 | 1.875 | 14.125 |
| 5136344 | 1-1/4 | 18.000 | 5.250 | 12.75 | 2.000 | 14.125 |
| 5133840 | 1-1/2 | 18.000 | 5.250 | 12.75 | 2.000 | 14.125 |
| 5133797 | 2 | 18.000 | 5.250 | 12.75 | 2.000 | 14.125 |
| 5133973 | 2-1/2 | 18.000 | 5.250 | 12.75 | 3.000 | 14.125 |
| 5133799 | 3 | 18.000 | 5.250 | 12.75 | 3.125 | 14.125 |

Dimensions are nominal

Schedule 40 45° Elbow 24" Radius Plain End

| Part Number | Trade Size | "R" | "O" | "H" | "S" MIN | "L" |
|-------------|------------|--------|--------|-------|---------|--------|
| 5133933 | 3/4 | 24.000 | 17.000 | 7.000 | 1.500 | 18.875 |
| 5133875 | 1 | 24.000 | 17.000 | 7.000 | 1.875 | 18.875 |
| 5133941 | 1-1/4 | 24.000 | 17.000 | 7.000 | 2.000 | 18.875 |
| 5133874 | 1-1/2 | 24.000 | 17.000 | 7.000 | 2.000 | 18.875 |
| 5133815 | 2 | 24.000 | 17.000 | 7.000 | 2.000 | 18.875 |
| 5133935 | 2-1/2 | 24.000 | 17.000 | 7.000 | 3.000 | 18.875 |
| 5133800 | 3 | 24.000 | 17.000 | 7.000 | 3.125 | 18.875 |
| 5133802 | 3-1/2 | 24.000 | 17.000 | 7.000 | 3.250 | 18.875 |
| 5133812 | 4 | 24.000 | 17.000 | 7.000 | 3.375 | 18.875 |

Dimensions are nominal

Schedule 40 45° Elbow 48" Radius Plain End

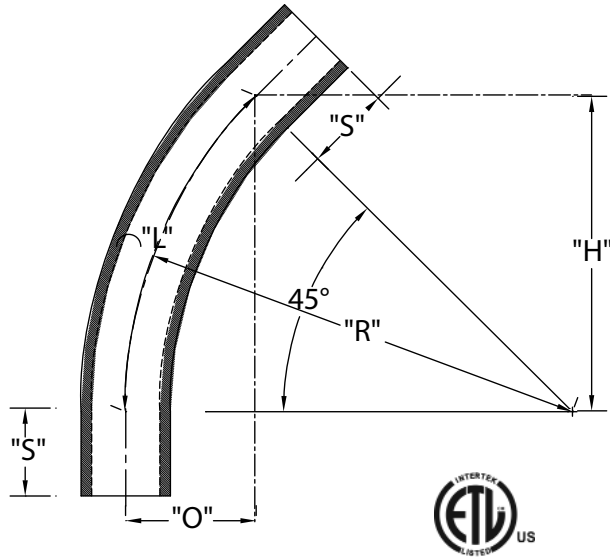
| Part Number | Trade Size | "R" | "O" | "H" | "S" MIN | "L" |
|-------------|------------|--------|--------|--------|---------|--------|
| 5133940 | 1 | 48.000 | 14.000 | 34.000 | 1.875 | 37.688 |
| 5133942 | 1-1/4 | 48.000 | 14.000 | 34.000 | 2.000 | 37.688 |
| 5133811 | 1-1/2 | 48.000 | 14.000 | 34.000 | 2.000 | 37.688 |
| 5133798 | 2 | 48.000 | 14.000 | 34.000 | 2.000 | 37.688 |
| 5134010 | 2-1/2 | 48.000 | 14.000 | 34.000 | 3.000 | 37.688 |
| 5133781 | 3 | 48.000 | 14.000 | 34.000 | 3.125 | 37.688 |
| 5133979 | 3-1/2 | 48.000 | 14.000 | 34.000 | 3.250 | 37.688 |
| 5133776 | 4 | 48.000 | 14.000 | 34.000 | 3.375 | 37.688 |
| 5133814 | 5 | 48.000 | 14.000 | 34.000 | 3.625 | 37.688 |
| 5133813 | 6 | 48.000 | 14.000 | 34.000 | 3.750 | 37.688 |
| 5133989D | 8* | 48.000 | 14.000 | 34.000 | 6.625 | 37.688 |

*Not ETL Listed

Dimensions are nominal

Rigid Nonmetallic Sch. 40 Elbows - Special Radius

Schedule 40 45° Elbow Special Radius - Plain End



Schedule 40 45° Elbow 60" Radius Plain End

| Part Number | Trade Size | "R" | "O" | "H" | "S" MIN | "L" |
|-------------|------------|--------|--------|--------|---------|--------|
| 5133808 | 2 | 60.000 | 17.625 | 34.000 | 2.000 | 47.125 |
| 5134111 | 2-1/2 | 60.000 | 17.625 | 34.000 | 3.000 | 47.125 |
| 5134006 | 3 | 60.000 | 17.625 | 34.000 | 3.125 | 47.125 |
| 5133946 | 4 | 60.000 | 17.625 | 34.000 | 3.375 | 47.125 |
| 5133947 | 5 | 60.000 | 17.625 | 34.000 | 3.625 | 47.125 |
| 5133806 | 6 | 60.000 | 17.625 | 34.000 | 6.750 | 47.125 |
| 5133980 | 8 | 60.000 | 17.625 | 34.000 | 6.625 | 47.125 |

Dimensions are nominal

Schedule 40 45° Elbow 72" Radius Plain End

| Part Number | Trade Size | "R" | "O" | "H" | "S" MIN | "L" |
|-------------|------------|--------|--------|--------|---------|--------|
| 5134128 | 3 | 72.000 | 21.000 | 50.938 | 3.125 | 56.500 |
| 5134153 | 5 | 72.000 | 21.000 | 50.938 | 3.625 | 56.500 |
| 5133868 | 6 | 72.000 | 21.000 | 50.938 | 3.750 | 56.500 |

Dimensions are nominal

Schedule 40 45° Elbow 84" Radius Plain End

| Part Number | Trade Size | "R" | "O" | "H" | "S" MIN | "L" |
|-------------|------------|--------|--------|--------|---------|--------|
| 5133783 | 4 | 84.000 | 24.625 | 59.375 | 3.375 | 66.000 |

Dimensions are nominal

Schedule 40 45° Elbow 96" Radius Plain End

| Part Number | Trade Size | "R" | "O" | "H" | "S" MIN | "L" |
|-------------|------------|--------|--------|--------|---------|--------|
| 5133785 | 4 | 96.000 | 28.125 | 67.875 | 3.375 | 75.375 |
| 5134027 | 5 | 96.000 | 28.125 | 67.875 | 3.625 | 75.375 |
| 5134086 | 6 | 96.000 | 28.125 | 67.875 | 3.750 | 75.375 |
| 5134100 | 8 | 96.000 | 28.125 | 67.875 | 6.625 | 75.375 |

Dimensions are nominal

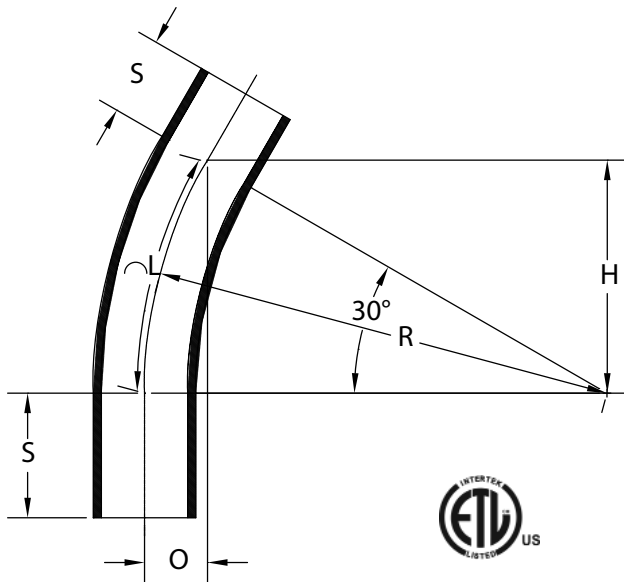
Schedule 40 45° Elbow 120" Radius Plain End

| Part Number | Trade Size | "R" | "O" | "H" | "S" MIN | "L" |
|-------------|------------|---------|--------|--------|---------|--------|
| 5125886 | 4 | 120.000 | 35.188 | 84.875 | 3.375 | 94.250 |

Dimensions are nominal

Rigid Nonmetallic Sch. 40 Elbows - Special Radius

Schedule 40 30° Elbow Special Radius - Plain End



Schedule 40 30° Elbow 36" Radius Plain End

| Part Number | Trade Size | "R" | "O" | "H" | "S" MIN | "L" |
|-------------|------------|--------|-------|--------|---------|--------|
| 5136347 | 1-1/4 | 36.000 | 4.813 | 18.000 | 2.000 | 18.875 |
| 5133974 | 1-1/2 | 36.000 | 4.813 | 18.000 | 2.000 | 18.875 |
| 5133792 | 2 | 36.000 | 4.813 | 18.000 | 2.000 | 18.875 |
| 5133807 | 2-1/2 | 36.000 | 4.813 | 18.000 | 3.000 | 18.875 |
| 5133793 | 3 | 36.000 | 4.813 | 18.000 | 3.125 | 18.875 |
| 5133938 | 3-1/2 | 36.000 | 4.813 | 18.000 | 3.250 | 18.875 |
| 5133790 | 4 | 36.000 | 4.813 | 18.000 | 3.375 | 18.875 |
| 5133931 | 5 | 36.000 | 4.813 | 18.000 | 3.625 | 18.875 |
| 5133791 | 6 | 36.000 | 4.813 | 18.000 | 3.750 | 18.875 |

Dimensions are nominal

Schedule 40 30° Elbow 48" Radius Plain End

| Part Number | Trade Size | "R" | "O" | "H" | "S" MIN | "L" |
|-------------|------------|--------|-------|--------|---------|--------|
| 5136343 | 1 | 48.000 | 6.438 | 24.000 | 1.875 | 25.125 |
| 5133943 | 1-1/4 | 48.000 | 6.438 | 24.000 | 2.000 | 25.125 |
| 5133982 | 1-1/2 | 48.000 | 6.438 | 24.000 | 2.000 | 25.125 |
| 5133805 | 2 | 48.000 | 6.438 | 24.000 | 2.000 | 25.125 |
| 5133809 | 3 | 48.000 | 6.438 | 24.000 | 3.125 | 25.125 |
| 5134026 | 3-1/2 | 48.000 | 6.438 | 24.000 | 3.250 | 25.125 |
| 5133838 | 4 | 48.000 | 6.438 | 24.000 | 3.375 | 25.125 |
| 5133959 | 5 | 48.000 | 6.438 | 24.000 | 3.625 | 25.125 |
| 5133861 | 6 | 48.000 | 6.438 | 24.000 | 3.750 | 25.125 |

Dimensions are nominal

Schedule 40 30° Elbow 18" Radius Plain End

| Part Number | Trade Size | "R" | "O" | "H" | "S" MIN | "L" |
|-------------|------------|--------|-------|-------|---------|-------|
| 5133916 | 1 | 18.000 | 2.438 | 9.063 | 1.875 | 9.438 |
| 5133794 | 1-1/4 | 18.000 | 2.438 | 9.063 | 2.000 | 9.438 |
| 5133917 | 1-1/2 | 18.000 | 2.438 | 9.063 | 2.000 | 9.438 |
| 5133789 | 2 | 18.000 | 2.438 | 9.063 | 2.000 | 9.438 |
| 5133752 | 2-1/2 | 18.000 | 2.438 | 9.063 | 3.000 | 9.438 |
| 5133969 | 3 | 18.000 | 2.438 | 9.063 | 3.125 | 9.438 |

Dimensions are nominal

Schedule 40 30° Elbow 24" Radius Plain End

| Part Number | Trade Size | "R" | "O" | "H" | "S" MIN | "L" |
|-------------|------------|--------|-------|--------|---------|--------|
| 5136435 | 1 | 24.000 | 3.188 | 12.000 | 1.875 | 12.563 |
| 5133913 | 1-1/4 | 24.000 | 3.188 | 12.000 | 2.000 | 12.563 |
| 5133803 | 1-1/2 | 24.000 | 3.188 | 12.000 | 2.000 | 12.563 |
| 5133796 | 2 | 24.000 | 3.188 | 12.000 | 2.000 | 12.563 |
| 5133957 | 2-1/2 | 24.000 | 3.188 | 12.000 | 3.000 | 12.563 |
| 5133958 | 3 | 24.000 | 3.188 | 12.000 | 3.125 | 12.563 |
| 5136439 | 3-1/2 | 24.000 | 3.188 | 12.000 | 3.250 | 12.563 |
| 5133788 | 4 | 24.000 | 3.188 | 12.000 | 3.375 | 12.563 |

Dimensions are nominal

Schedule 40 30° Elbow 60" Radius Plain End

| Part Number | Trade Size | "R" | "O" | "H" | "S" MIN | "L" |
|-------------|------------|-----|-------|--------|---------|--------|
| 5134162 | 2 | 60 | 8.063 | 30.000 | 2.000 | 31.438 |
| 5136496 | 3 | 60 | 8.063 | 30.000 | 3.125 | 31.438 |
| 5133999 | 4 | 60 | 8.063 | 30.000 | 3.375 | 31.438 |
| 5133962 | 5 | 60 | 8.063 | 30.000 | 3.625 | 31.438 |
| 5133782 | 6 | 60 | 8.063 | 30.000 | 3.750 | 31.438 |

Dimensions are nominal

Schedule 40 30° Elbow 30" Radius Plain End

| Part Number | Trade Size | "R" | "O" | "H" | "S" MIN | "L" |
|-------------|------------|--------|-------|--------|---------|--------|
| 5136495 | 3 | 30.000 | 4.000 | 15.000 | 3.125 | 15.688 |
| 5133898 | 4 | 30.000 | 4.000 | 15.000 | 3.375 | 15.688 |

Dimensions are nominal

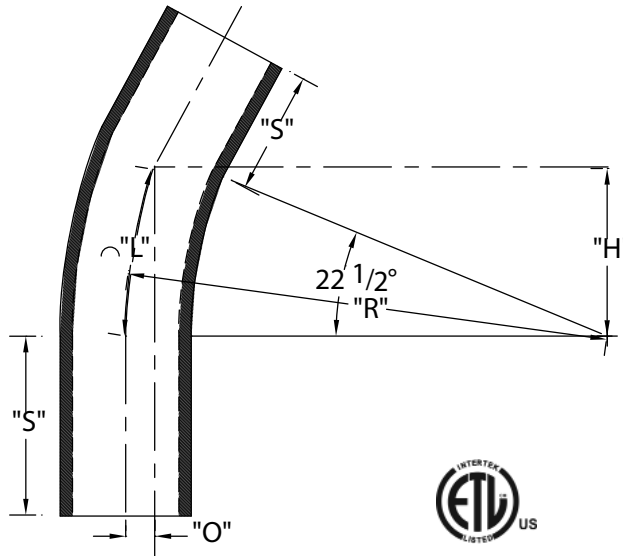
Schedule 40 30° Elbow 150" Radius Plain End

| Part Number | Trade Size | "R" | "O" | "H" | "S" MIN | "L" |
|-------------|------------|-----|--------|-------|---------|--------|
| 5134121 | 2 | 150 | 75.000 | 2.000 | 2.000 | 78.563 |
| 5134058 | 4 | 150 | 75.000 | 2.000 | 3.375 | 78.563 |
| 5134001 | 5 | 150 | 75.000 | 2.000 | 3.625 | 78.563 |

Dimensions are nominal

Rigid Nonmetallic Sch. 40 Elbows - Special Radius

Schedule 40 22-1/2° Elbow Special Radius - Plain End



Schedule 40 22-1/2° Elbow 18" Radius Plain End

| Part Number | Trade Size | "R" | "O" | "H" | "S" MIN | "L" |
|-------------|------------|--------|-------|-------|---------|-------|
| 5133944 | 1 | 18.000 | 1.375 | 6.875 | 1.875 | 7.063 |
| 5136424 | 1-1/4 | 18.000 | 1.375 | 6.875 | 2.000 | 7.063 |
| 5133908 | 1-1/2 | 18.000 | 1.375 | 6.875 | 2.000 | 7.063 |
| 5133879 | 2 | 18.000 | 1.375 | 6.875 | 2.000 | 7.063 |
| 5133936 | 2-1/2 | 18.000 | 1.375 | 6.875 | 3.000 | 7.063 |
| 5133845 | 3 | 18.000 | 1.375 | 6.875 | 3.125 | 7.063 |

Dimensions are nominal

Schedule 40 22-1/2° Elbow 24" Radius Plain End

| Part Number | Trade Size | "R" | "O" | "H" | "S" MIN | "L" |
|-------------|------------|--------|-------|-------|---------|-------|
| 5136420 | 1 | 24.000 | 1.813 | 9.188 | 1.875 | 9.438 |
| 5136425 | 1-1/4 | 24.000 | 1.813 | 9.188 | 2.000 | 9.438 |
| 5136428 | 1-1/2 | 24.000 | 1.813 | 9.188 | 2.000 | 9.438 |
| 5133915 | 2 | 24.000 | 1.813 | 9.188 | 2.000 | 9.438 |
| 5134019 | 2-1/2 | 24.000 | 1.813 | 9.188 | 3.000 | 9.438 |
| 5133903 | 3 | 24.000 | 1.813 | 9.188 | 3.125 | 9.438 |
| 5133902 | 3-1/2 | 24.000 | 1.813 | 9.188 | 3.250 | 9.438 |
| 5133869 | 4 | 24.000 | 1.813 | 9.188 | 3.375 | 9.438 |

Dimensions are nominal

Schedule 40 22-1/2° Elbow 30" Radius Plain End

| Part Number | Trade Size | "R" | "O" | "H" | "S" MIN | "L" |
|-------------|------------|--------|------|--------|---------|--------|
| 5136421 | 1 | 30.000 | 2.25 | 11.500 | 1.875 | 11.750 |
| 5136433 | 2-1/2 | 30.000 | 2.25 | 11.500 | 3.000 | 11.750 |
| 5133929 | 3 | 30.000 | 2.25 | 11.500 | 3.125 | 11.750 |
| 5133882 | 4 | 30.000 | 2.25 | 11.500 | 3.375 | 11.750 |
| 5133900 | 5 | 30.000 | 2.25 | 11.500 | 3.625 | 11.750 |

Dimensions are nominal

Schedule 40 22-1/2° Elbow 36" Radius Plain End

| Part Number | Trade Size | "R" | "O" | "H" | "S" MIN | "L" |
|-------------|------------|--------|-------|--------|---------|--------|
| 5133975 | 1 | 36.000 | 2.750 | 13.750 | 1.875 | 14.125 |
| 5133997 | 1-1/4 | 36.000 | 2.750 | 13.750 | 2.000 | 14.125 |
| 5134103 | 1-1/2 | 36.000 | 2.750 | 13.750 | 2.000 | 14.125 |
| 5133851 | 2 | 36.000 | 2.750 | 13.750 | 2.000 | 14.125 |
| 5133937 | 2-1/2 | 36.000 | 2.750 | 13.750 | 3.000 | 14.125 |
| 5133904 | 3 | 36.000 | 2.750 | 13.750 | 3.125 | 14.125 |
| 5136437 | 3-1/2 | 36.000 | 2.750 | 13.750 | 3.250 | 14.125 |
| 5133853 | 4 | 36.000 | 2.750 | 13.750 | 3.375 | 14.125 |
| 5133881 | 5 | 36.000 | 2.750 | 13.750 | 3.625 | 14.125 |
| 5133905 | 6 | 36.000 | 2.750 | 13.750 | 3.750 | 14.125 |

Dimensions are nominal

Schedule 40 22-1/2° Elbow 48" Radius Plain End

| Part Number | Trade Size | "R" | "O" | "H" | "S" MIN | "L" |
|-------------|------------|--------|-------|-------|---------|--------|
| 5136431 | 1-1/2 | 48.000 | 3.625 | 1.375 | 3.000 | 18.875 |
| 5133984 | 2 | 48.000 | 3.625 | 1.375 | 3.125 | 18.875 |
| 5136434 | 2-1/2 | 48.000 | 3.625 | 1.375 | 3.000 | 18.875 |
| 5133971 | 3 | 48.000 | 3.625 | 1.375 | 3.250 | 18.875 |
| 5133932 | 4 | 48.000 | 3.625 | 1.375 | 3.625 | 18.875 |
| 5133930 | 5 | 48.000 | 3.625 | 1.375 | 3.750 | 18.875 |
| 5133862 | 6 | 48.000 | 3.625 | 1.375 | 6.625 | 18.875 |

Dimensions are nominal

Schedule 40 22-1/2° Elbow 60" Radius Plain End

| Part Number | Trade Size | "R" | "O" | "H" | "S" MIN | "L" |
|-------------|------------|-----|-------|--------|---------|--------|
| 5134012 | 4 | 60 | 4.563 | 23.000 | 3.375 | 23.563 |
| 5134020 | 5 | 60 | 4.563 | 23.000 | 3.625 | 23.563 |
| 5134065 | 6 | 60 | 4.563 | 23.000 | 3.750 | 23.563 |

Dimensions are nominal

Schedule 40 22-1/2° Elbow 120" Radius Plain End

| Part Number | Trade Size | "R" | "O" | "H" | "S" MIN | "L" |
|-------------|------------|-----|-------|--------|---------|--------|
| 5133887 | 2 | 120 | 9.125 | 45.938 | 2.000 | 47.125 |
| 5134175 | 4 | 120 | 9.125 | 45.938 | 3.375 | 47.125 |
| 5134117 | 5 | 120 | 9.125 | 45.938 | 3.625 | 47.125 |

Dimensions are nominal

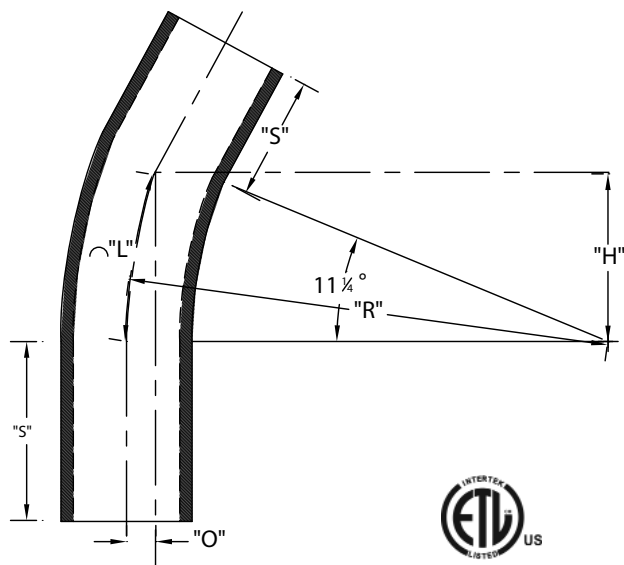
Schedule 40 22-1/2° Elbow 150" Radius Plain End

| Part Number | Trade Size | "R" | "O" | "H" | "S" MIN | "L" |
|-------------|------------|-----|--------|--------|---------|--------|
| 5134002 | 2-1/2 | 150 | 11.375 | 57.375 | 3.000 | 58.875 |
| 5133945 | 4 | 150 | 11.375 | 57.375 | 3.375 | 58.875 |
| 5133960 | 5 | 150 | 11.375 | 57.375 | 3.625 | 58.875 |
| 5134055 | 6 | 150 | 11.375 | 57.375 | 3.750 | 58.875 |

Dimensions are nominal

Rigid Nonmetallic Sch. 40 Elbows - Special Radius

Schedule 40 11-1/4° Elbow Special Radius - Plain End



Schedule 40 11-1/4° Elbow 18" Radius Plain End

| Part Number | Trade Size | "R" | "O" | "H" | "S" MIN | "L" |
|-------------|------------|--------|-------|-------|---------|-------|
| 5134034 | 2 | 18.000 | .344 | 3.500 | 2.000 | 3.500 |
| 5134035 | 3 | 18.000 | 1.375 | 3.500 | 3.125 | 3.500 |

Dimensions are nominal

Schedule 40 11-1/4° Elbow 24" Radius Plain End

| Part Number | Trade Size | "R" | "O" | "H" | "S" MIN | "L" |
|-------------|------------|--------|------|-------|---------|-------|
| 5134152 | 2 | 24.000 | .469 | 9.188 | 2.000 | 1.688 |
| 5134036 | 3 | 24.000 | .469 | 9.188 | 3.125 | 1.688 |
| 5133991 | 4 | 24.000 | .469 | 9.188 | 3.250 | 1.688 |
| 5133965 | 5 | 24.000 | .469 | 9.188 | 3.375 | 1.688 |

Dimensions are nominal

Schedule 40 11-1/4° Elbow 36" Radius Plain End

| Part Number | Trade Size | "R" | "O" | "H" | "S" MIN | "L" |
|-------------|------------|--------|------|-------|---------|-------|
| 5133996 | 1-1/4 | 36.000 | .688 | 7.000 | 2.000 | 7.063 |
| 5133963 | 2 | 36.000 | .688 | 7.000 | 2.000 | 7.063 |
| 5134129 | 2-1/2 | 36.000 | .688 | 7.000 | 3.000 | 7.063 |
| 5134082 | 3 | 36.000 | .688 | 7.000 | 3.125 | 7.063 |
| 5133910 | 4 | 36.000 | .688 | 7.000 | 3.375 | 7.063 |
| 5133914 | 5 | 36.000 | .688 | 7.000 | 3.625 | 7.063 |
| 5133987 | 6 | 36.000 | .688 | 7.000 | 3.750 | 7.063 |

Dimensions are nominal

Schedule 40 11-1/4° Elbow 48" Radius Plain End

| Part Number | Trade Size | "R" | "O" | "H" | "S" MIN | "L" |
|-------------|------------|--------|------|-------|---------|-------|
| 5133998 | 1-1/4 | 48.000 | .938 | 9.375 | 2.000 | 9.438 |
| 5134039 | 2-1/2 | 48.000 | .938 | 9.375 | 3.000 | 9.438 |
| 5134083 | 3 | 48.000 | .938 | 9.375 | 3.125 | 9.438 |
| 5133990 | 4 | 48.000 | .938 | 9.375 | 3.375 | 9.438 |
| 5133977 | 5 | 48.000 | .938 | 9.375 | 3.625 | 9.438 |
| 5134079 | 6 | 48.000 | .938 | 9.375 | 3.750 | 9.438 |
| 5133907 | 8 | 48.000 | .938 | 9.375 | 6.625 | 9.438 |

Dimensions are nominal

Schedule 40 11-1/4° Elbow 60" Radius Plain End

| Part Number | Trade Size | "R" | "O" | "H" | "S" MIN | "L" |
|-------------|------------|-----|-------|--------|---------|--------|
| 5134084 | 3 | 60 | 1.125 | 11.688 | 3.125 | 11.750 |
| 5134157 | 4 | 60 | 1.125 | 11.688 | 3.375 | 11.750 |
| 5133978 | 5 | 60 | 1.125 | 11.688 | 3.625 | 11.750 |
| 5134080 | 6 | 60 | 1.125 | 11.688 | 3.750 | 11.750 |

Dimensions are nominal

Schedule 40 11-1/4° Elbow 72" Radius Plain End

| Part Number | Trade Size | "R" | "O" | "H" | "S" MIN | "L" |
|-------------|------------|-----|-------|--------|---------|--------|
| 5134070 | 5 | 72 | 1.375 | 14.000 | 3.625 | 14.125 |
| 5134143 | 6 | 72 | 1.375 | 14.000 | 3.750 | 14.125 |

Dimensions are nominal

Schedule 40 11-1/4° Elbow 120" Radius Plain End

| Part Number | Trade Size | "R" | "O" | "H" | "S" MIN | "L" |
|-------------|------------|---------|--------|--------|---------|--------|
| 5134151 | 5 | 120.000 | 23.000 | 23.438 | 3.625 | 23.563 |

Dimensions are nominal

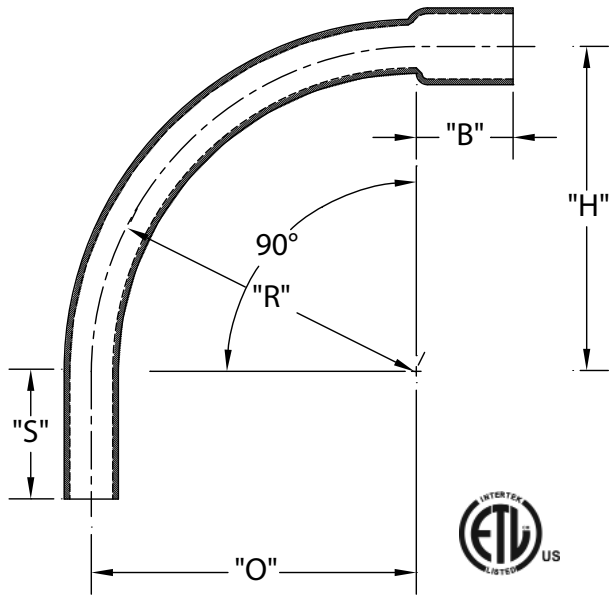
Schedule 40 11-1/4° Elbow 150" Radius Plain End

| Part Number | Trade Size | "R" | "O" | "H" | "S" MIN | "L" |
|-------------|------------|-----|-------|--------|---------|--------|
| 5133911 | 2 | 150 | 2.875 | 29.250 | 2.000 | 29.438 |
| 5133912 | 4 | 150 | 2.875 | 29.250 | 3.375 | 29.438 |
| 5134122 | 5 | 150 | 2.875 | 29.250 | 3.625 | 29.438 |
| 5134048 | 6 | 150 | 2.875 | 29.250 | 3.750 | 29.438 |

Dimensions are nominal

Rigid Nonmetallic Sch. 40 Elbows - Special Radius

Schedule 40 90° Elbow Special Radius - Bell End



Schedule 40 90° Elbow 30" Radius Bell End

| Part Number | Trade Size | "R" | "O" | "H" | "S" MIN | "B" MIN | "L" |
|-------------|------------|--------|--------|--------|---------|---------|--------|
| 5233920 | 2 | 30.000 | 30.000 | 30.000 | 2.000 | 2.000 | 47.125 |
| 5233981 | 2-1/2 | 30.000 | 30.000 | 30.000 | 3.000 | 2.250 | 47.125 |
| 5234081 | 3 | 30.000 | 30.000 | 30.000 | 3.125 | 2.500 | 47.125 |
| 5233852 | 4 | 30.000 | 30.000 | 30.000 | 3.375 | 3.250 | 47.125 |
| 5233872 | 5 | 30.000 | 30.000 | 30.000 | 3.625 | 4.250 | 47.125 |

Dimensions are nominal

Schedule 40 90° Elbow 36" Radius Bell End

| Part Number | Trade Size | "R" | "O" | "H" | "S" MIN | "B" MIN | "L" |
|-------------|------------|--------|--------|--------|---------|---------|--------|
| 5233855 | 1 | 36.000 | 36.000 | 36.000 | 1.875 | 1.500 | 56.500 |
| 5233884 | 1-1/4 | 36.000 | 36.000 | 36.000 | 2.000 | 1.500 | 56.500 |
| 5233866 | 1-1/2 | 36.000 | 36.000 | 36.000 | 2.000 | 2.000 | 56.500 |
| 5233848 | 2 | 36.000 | 36.000 | 36.000 | 2.000 | 2.000 | 56.500 |
| 5233857 | 2-1/2 | 36.000 | 36.000 | 36.000 | 3.000 | 2.250 | 56.500 |
| 5233930 | 3 | 36.000 | 36.000 | 36.000 | 3.125 | 2.500 | 56.500 |
| 5233818 | 3-1/2 | 36.000 | 36.000 | 36.000 | 3.250 | 3.250 | 56.500 |
| 5233842 | 4 | 36.000 | 36.000 | 36.000 | 3.375 | 3.250 | 56.500 |
| 5233841 | 5 | 36.000 | 36.000 | 36.000 | 3.625 | 4.250 | 56.500 |
| 5233877 | 6 | 36.000 | 36.000 | 36.000 | 3.750 | 5.000 | 56.500 |

Dimensions are nominal

Schedule 40 90° Elbow 18" Radius Bell End

| Part Number | Trade Size | "R" | "O" | "H" | "S" MIN | "B" MIN | "L" |
|-------------|------------|--------|--------|--------|---------|---------|--------|
| 5233844 | 1 | 18.000 | 18.000 | 18.000 | 1.875 | 1.500 | 28.250 |
| 5233923 | 1-1/4 | 18.000 | 18.000 | 18.000 | 2.000 | 1.500 | 28.250 |
| 5233839 | 1-1/2 | 18.000 | 18.000 | 18.000 | 2.000 | 2.000 | 28.250 |
| 5233846 | 2 | 18.000 | 18.000 | 18.000 | 2.000 | 2.000 | 28.250 |
| 5233856 | 2-1/2 | 18.000 | 18.000 | 18.000 | 3.000 | 2.250 | 28.250 |
| 5233850 | 3 | 18.000 | 18.000 | 18.000 | 3.125 | 2.500 | 28.250 |
| 5233985 | 4 | 18.000 | 18.000 | 18.000 | 3.375 | 3.250 | 28.250 |

Dimensions are nominal

Schedule 40 90° Elbow 48" Radius Bell End

| Part Number | Trade Size | "R" | "O" | "H" | "S" MIN | "B" MIN | "L" |
|-------------|------------|--------|--------|--------|---------|---------|--------|
| 5236338 | 1 | 48.000 | 48.000 | 48.000 | 1.875 | 1.500 | 75.375 |
| 5234053 | 1-1/4 | 48.000 | 48.000 | 48.000 | 2.000 | 1.500 | 75.375 |
| 5233865 | 1-1/2 | 48.000 | 48.000 | 48.000 | 2.000 | 2.000 | 75.375 |
| 5233876 | 2 | 48.000 | 48.000 | 48.000 | 2.000 | 2.000 | 75.375 |
| 5233849 | 2-1/2 | 48.000 | 48.000 | 48.000 | 3.000 | 2.250 | 75.375 |
| 5233817 | 3 | 48.000 | 48.000 | 48.000 | 3.125 | 2.500 | 75.375 |
| 5233892 | 3-1/2 | 48.000 | 48.000 | 48.000 | 3.250 | 3.250 | 75.375 |
| 5233843 | 4 | 48.000 | 48.000 | 48.000 | 3.375 | 3.250 | 75.375 |
| 5233868 | 5 | 48.000 | 48.000 | 48.000 | 3.625 | 4.250 | 75.375 |
| 5233816 | 6 | 48.000 | 48.000 | 48.000 | 3.750 | 5.000 | 75.375 |

Dimensions are nominal

Schedule 40 90° Elbow 24" Radius Bell End

| Part Number | Trade Size | "R" | "O" | "H" | "S" MIN | "B" MIN | "L" |
|-------------|------------|--------|--------|--------|---------|---------|--------|
| 5234099 | 3/4 | 24.000 | 24.000 | 24.000 | 1.500 | 1.500 | 37.688 |
| 5233859 | 1 | 24.000 | 24.000 | 24.000 | 1.875 | 1.500 | 37.688 |
| 5233883 | 1-1/4 | 24.000 | 24.000 | 24.000 | 2.000 | 1.500 | 37.688 |
| 5233873 | 1-1/2 | 24.000 | 24.000 | 24.000 | 2.000 | 2.000 | 37.688 |
| 5133924 | 2 | 24.000 | 24.000 | 24.000 | 2.000 | 2.000 | 37.688 |
| 5233847 | 2-1/2 | 24.000 | 24.000 | 24.000 | 3.000 | 2.250 | 37.688 |
| 5233837 | 3 | 24.000 | 24.000 | 24.000 | 3.125 | 2.500 | 37.688 |
| 5233893 | 3-1/2 | 24.000 | 24.000 | 24.000 | 3.250 | 3.250 | 37.688 |
| 5233822 | 4 | 24.000 | 24.000 | 24.000 | 3.375 | 3.250 | 37.688 |

Dimensions are nominal

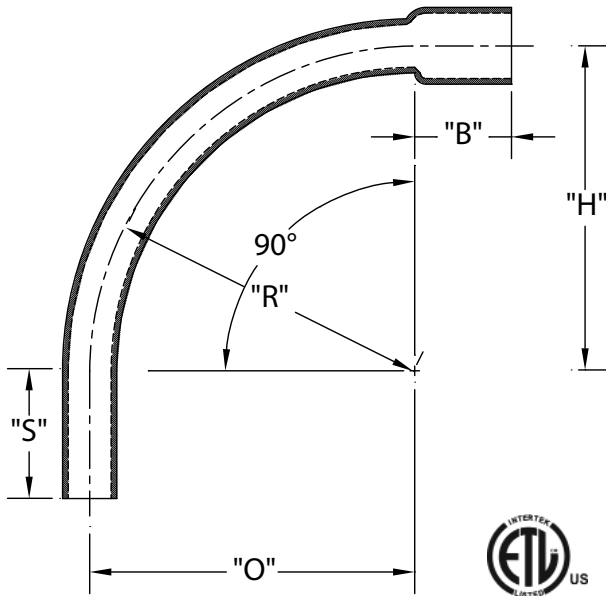
Schedule 40 90° Elbow 60" Radius Bell End

| Part Number | Trade Size | "R" | "O" | "H" | "S" MIN | "B" MIN | "L" |
|-------------|------------|--------|--------|--------|---------|---------|--------|
| 5233786 | 2 | 60.000 | 60.000 | 60.000 | 2.000 | 2.000 | 94.250 |
| 5233819 | 3 | 60.000 | 60.000 | 60.000 | 3.125 | 2.500 | 94.250 |
| 5233854 | 4 | 60.000 | 60.000 | 60.000 | 3.375 | 3.250 | 94.250 |
| 5233885 | 5 | 60.000 | 60.000 | 60.000 | 3.625 | 4.250 | 94.250 |
| 5233886 | 6 | 60.000 | 60.000 | 60.000 | 3.750 | 5.000 | 94.250 |

Dimensions are nominal

Rigid Nonmetallic Sch. 40 Elbows - Special Radius

Schedule 40 90° Elbow Special Radius - Bell End



Schedule 40 90° Elbow 84" Radius Bell End

| Part Number | Trade Size | "R" | "O" | "H" | "S" MIN | "B" MIN | "L" |
|-------------|------------|--------|--------|--------|---------|---------|---------|
| 5234026 | 6 | 84.000 | 84.000 | 84.000 | 3.750 | 5.000 | 132.000 |

Dimensions are nominal

Schedule 40 90° Elbow 96" Radius Bell End

| Part Number | Trade Size | "R" | "O" | "H" | "S" MIN | "B" MIN | "L" |
|-------------|------------|--------|--------|--------|---------|---------|---------|
| 5234035 | 6 | 96.000 | 96.000 | 96.000 | 3.750 | 5.000 | 150.875 |

Dimensions are nominal

Schedule 40 90° Elbow 120" Radius Bell End

| Part Number | Trade Size | "R" | "O" | "H" | "S" MIN | "B" MIN | "L" |
|-------------|------------|---------|---------|---------|---------|---------|---------|
| 5234116 | 2 | 120.000 | 120.000 | 120.000 | 2.000 | 2.000 | 188.500 |
| 5233927 | 4 | 120.000 | 120.000 | 120.000 | 3.375 | 3.250 | 188.500 |
| 5234007 | 6 | 120.000 | 120.000 | 120.000 | 3.750 | 5.000 | 188.500 |

Dimensions are nominal

Schedule 40 90° Elbow 72" Radius Bell End

| Part Number | Trade Size | "R" | "O" | "H" | "S" MIN | "B" MIN | "L" |
|-------------|------------|--------|--------|--------|---------|---------|---------|
| 5234155 | 3 | 72.000 | 72.000 | 72.000 | 3.125 | 2.500 | 113.125 |
| 5233787 | 4 | 72.000 | 72.000 | 72.000 | 3.625 | 3.250 | 113.125 |
| 5233928 | 6 | 72.000 | 72.000 | 72.000 | 6.750 | 5.000 | 113.125 |

Dimensions are nominal

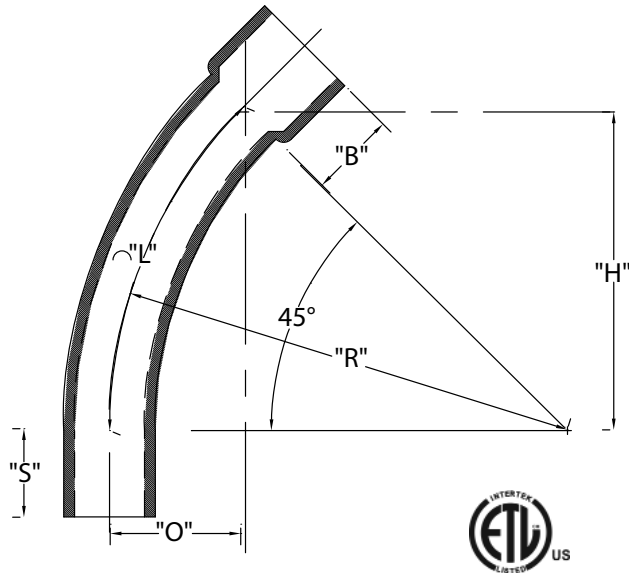
Schedule 40 90° Elbow 150" Radius Bell End

| Part Number | Trade Size | "R" | "O" | "H" | "S" MIN | "B" MIN | "L" |
|-------------|------------|---------|---------|---------|---------|---------|---------|
| 5234156 | 3 | 150.000 | 150.000 | 150.000 | 3.125 | 2.500 | 235.625 |

Dimensions are nominal

Rigid Nonmetallic Sch. 40 Elbows - Special Radius

Schedule 40 45° Elbow Special Radius - Bell End



Schedule 40 45° Elbow 36" Radius Bell End

| Part Number | Trade Size | "R" | "O" | "H" | "S" MIN | "B" MIN | "L" |
|-------------|------------|--------|--------|--------|---------|---------|--------|
| 5233919 | 1 | 36.000 | 10.500 | 25.438 | 1.875 | 1.500 | 28.250 |
| 5234083 | 1-1/2 | 36.000 | 10.500 | 25.438 | 2.000 | 2.000 | 28.250 |
| 5233778 | 2 | 36.000 | 10.500 | 25.438 | 2.000 | 2.000 | 28.250 |
| 5233801 | 2-1/2 | 36.00 | 10.500 | 25.438 | 3.000 | 2.250 | 28.250 |
| 5233779 | 3 | 36.000 | 10.500 | 25.438 | 3.125 | 2.500 | 28.250 |
| 5233939 | 3-1/2 | 36.000 | 10.500 | 25.438 | 3.250 | 3.250 | 28.250 |
| 5233777 | 4 | 36.000 | 10.500 | 25.438 | 3.375 | 3.250 | 28.250 |
| 5233780 | 5 | 36.000 | 10.500 | 25.438 | 3.625 | 4.250 | 28.250 |
| 5133894 | 6 | 36.000 | 10.500 | 25.438 | 3.750 | 5.000 | 28.250 |

Dimensions are nominal

Schedule 40 45° Elbow 48" Radius Bell End

| Part Number | Trade Size | "R" | "O" | "H" | "S" MIN | "B" MIN | "L" |
|-------------|------------|--------|--------|--------|---------|---------|--------|
| 5233811 | 1-1/2 | 48.000 | 14.000 | 33.313 | 2.000 | 2.000 | 37.688 |
| 5133759 | 2 | 48.000 | 14.000 | 33.313 | 2.000 | 2.000 | 37.688 |
| 5233785 | 2-1/2 | 48.000 | 14.000 | 33.313 | 3.000 | 2.250 | 37.688 |
| 5233782 | 3 | 48.000 | 14.000 | 33.313 | 3.125 | 2.500 | 37.688 |
| 5133761 | 4 | 48.000 | 14.000 | 33.313 | 3.375 | 3.250 | 37.688 |
| 5233781 | 5 | 48.000 | 14.000 | 33.313 | 3.625 | 3.250 | 37.688 |
| 5233813 | 6 | 48.000 | 14.000 | 33.313 | 3.750 | 4.250 | 37.688 |
| 5233989D | 8 | 48.000 | 14.000 | 33.938 | 6.625 | 5.000 | 37.688 |

Dimensions are nominal

Schedule 40 45° Elbow 18" Radius Bell End

| Part Number | Trade Size | "R" | "O" | "H" | "S" MIN | "B" MIN | "L" |
|-------------|------------|--------|-------|--------|---------|---------|--------|
| 5234008 | 1 | 18.000 | 5.250 | 12.750 | 1.875 | 1.500 | 14.125 |
| 5233797 | 2 | 18.000 | 5.250 | 12.750 | 2.000 | 2.000 | 14.125 |
| 5233973 | 2-1/2 | 18.000 | 5.250 | 12.750 | 3.000 | 2.250 | 14.125 |
| 5233799 | 3 | 18.000 | 5.250 | 12.750 | 3.125 | 2.500 | 14.125 |

Dimensions are nominal

Schedule 40 45° Elbow 24" Radius Bell End

| Part Number | Trade Size | "R" | "O" | "H" | "S" MIN | "B" MIN | "L" |
|-------------|------------|--------|------|--------|---------|---------|--------|
| 5233878 | 1 | 24.000 | 7.00 | 17.000 | 1.875 | 1.500 | 18.875 |
| 5233941 | 1-1/4 | 24.000 | 7.00 | 17.000 | 2.000 | 1.500 | 18.875 |
| 5233874 | 1-1/2 | 24.000 | 7.00 | 17.000 | 2.000 | 2.000 | 18.875 |
| 5233815 | 2 | 24.000 | 7.00 | 17.000 | 2.000 | 2.000 | 18.875 |
| 5233935 | 2-1/2 | 24.000 | 7.00 | 17.000 | 3.000 | 2.250 | 18.875 |
| 5233800 | 3 | 24.000 | 7.00 | 17.000 | 3.125 | 2.500 | 18.875 |
| 5233802 | 3-1/2 | 24.000 | 7.00 | 17.000 | 3.250 | 3.250 | 18.875 |
| 5233812 | 4 | 24.000 | 7.00 | 17.000 | 3.375 | 3.250 | 18.875 |

Dimensions are nominal

Schedule 40 45° Elbow 60" Radius Bell End

| Part Number | Trade Size | "R" | "O" | "H" | "S" MIN | "B" MIN | "L" |
|-------------|------------|--------|--------|--------|---------|---------|--------|
| 5233808 | 2 | 60.000 | 17.563 | 42.375 | 2.000 | 2.000 | 47.125 |
| 5233946 | 4 | 60.000 | 17.563 | 42.375 | 3.375 | 3.250 | 47.125 |
| 5233947 | 5 | 60.000 | 17.563 | 42.375 | 3.625 | 4.250 | 47.125 |
| 5233806 | 6 | 60.000 | 17.563 | 42.375 | 3.750 | 5.000 | 47.125 |

Dimensions are nominal

Schedule 40 45° Elbow 150" Radius Bell End

| Part Number | Trade Size | "R" | "O" | "H" | "S" MIN | "B" MIN | "L" |
|-------------|------------|---------|--------|---------|---------|---------|---------|
| 5234015 | 2 | 150.000 | 43.938 | 106.063 | 2.000 | 2.000 | 117.813 |
| 5233783 | 3 | 150.000 | 43.938 | 106.063 | 3.125 | 2.500 | 117.813 |
| 5233951 | 4 | 150.000 | 43.938 | 106.063 | 3.625 | 3.250 | 117.813 |
| 5233952 | 5 | 150.000 | 43.938 | 106.063 | 3.625 | 4.250 | 117.813 |
| 5233804 | 6 | 150.000 | 43.938 | 106.063 | 3.750 | 5.000 | 117.813 |

Dimensions are nominal

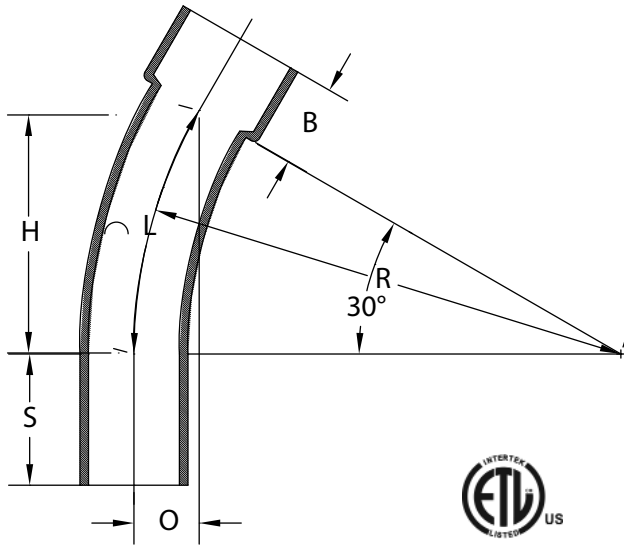
Schedule 40 45° Elbow 30" Radius Bell End

| Part Number | Trade Size | "R" | "O" | "H" | "S" MIN | "B" MIN | "L" |
|-------------|------------|--------|-------|--------|---------|---------|--------|
| 5233953 | 4 | 30.000 | 8.750 | 21.250 | 3.375 | 3.250 | 23.563 |

Dimensions are nominal

Rigid Nonmetallic Sch. 40 Elbows - Special Radius

Schedule 40 30° Elbow Special Radius - Bell End



Schedule 40 30° Elbow 18" Radius Bell End

| Part Number | Trade Size | "R" | "O" | "H" | "S" MIN | "B" MIN | "L" |
|-------------|------------|--------|-------|-------|---------|---------|-------|
| 5233789 | 2 | 18.000 | 2.438 | 9.063 | 2.000 | 2.000 | 9.438 |
| 5233969 | 3 | 18.000 | 2.438 | 9.063 | 3.125 | 2.500 | 9.438 |

Dimensions are nominal

Schedule 40 30° Elbow 24" Radius Bell End

| Part Number | Trade Size | "R" | "O" | "H" | "S" MIN | "B" MIN | "L" |
|-------------|------------|--------|-------|--------|---------|---------|--------|
| 5236435 | 1 | 24.000 | 3.188 | 12.000 | 1.875 | 1.500 | 12.563 |
| 5233803 | 1-1/2 | 24.000 | 3.188 | 12.000 | 2.000 | 2.000 | 12.563 |
| 5233796 | 2 | 24.000 | 3.188 | 12.000 | 2.000 | 2.000 | 12.563 |
| 5233958 | 3 | 24.000 | 3.188 | 12.000 | 3.125 | 2.500 | 12.563 |
| 5236439 | 3-1/2 | 24.000 | 3.188 | 12.000 | 3.250 | 3.250 | 12.563 |
| 5233788 | 4 | 24.000 | 3.188 | 12.000 | 3.375 | 3.250 | 12.563 |

Dimensions are nominal

Schedule 40 30° Elbow 30" Radius Bell End

| Part Number | Trade Size | "R" | "O" | "H" | "S" MIN | "B" MIN | "L" |
|-------------|------------|--------|-------|--------|---------|---------|--------|
| 5233898 | 4 | 30.000 | 4.000 | 15.000 | 3.375 | 3.250 | 15.938 |

Dimensions are nominal

Schedule 40 30° Elbow 36" Radius Bell End

| Part Number | Trade Size | "R" | "O" | "H" | "S" MIN | "B" MIN | "L" |
|-------------|------------|--------|-------|--------|---------|---------|--------|
| 5233792 | 2 | 36.000 | 4.813 | 18.000 | 2.000 | 2.000 | 18.875 |
| 5233793 | 3 | 36.000 | 4.813 | 18.000 | 3.125 | 2.500 | 18.875 |
| 5233790 | 4 | 36.000 | 4.813 | 18.000 | 3.375 | 3.250 | 18.875 |
| 5233933 | 5 | 36.000 | 4.813 | 18.000 | 3.625 | 4.250 | 18.875 |
| 5233791 | 6 | 36.000 | 4.813 | 18.000 | 3.750 | 5.000 | 18.875 |

Dimensions are nominal

Schedule 40 30° Elbow 48" Radius Bell End

| Part Number | Trade Size | "R" | "O" | "H" | "S" MIN | "B" MIN | "L" |
|-------------|------------|--------|-------|--------|---------|---------|--------|
| 5233820 | 2 | 48.000 | 6.438 | 24.000 | 2.000 | 2.000 | 25.125 |
| 5233809 | 3 | 48.000 | 6.438 | 24.000 | 3.125 | 2.500 | 25.125 |
| 5233838 | 4 | 48.000 | 6.438 | 24.000 | 3.375 | 3.250 | 25.125 |
| 5233959 | 5 | 48.000 | 6.438 | 24.000 | 3.625 | 4.250 | 25.125 |
| 5233861 | 6 | 48.000 | 6.438 | 24.000 | 3.750 | 5.000 | 25.125 |

Dimensions are nominal

Schedule 40 30° Elbow 60" Radius Bell End

| Part Number | Trade Size | "R" | "O" | "H" | "S" MIN | "B" MIN | "L" |
|-------------|------------|--------|-------|--------|---------|---------|--------|
| 5233999 | 4 | 60.000 | 8.063 | 30.000 | 3.375 | 3.250 | 31.438 |

Dimensions are nominal

Schedule 40 30° Elbow 120" Radius Bell End

| Part Number | Trade Size | "R" | "O" | "H" | "S" MIN | "B" MIN | "L" |
|-------------|------------|---------|--------|--------|---------|---------|--------|
| 5233962 | 4 | 120.000 | 16.063 | 60.000 | 3.375 | 3.250 | 62.813 |

Dimensions are nominal

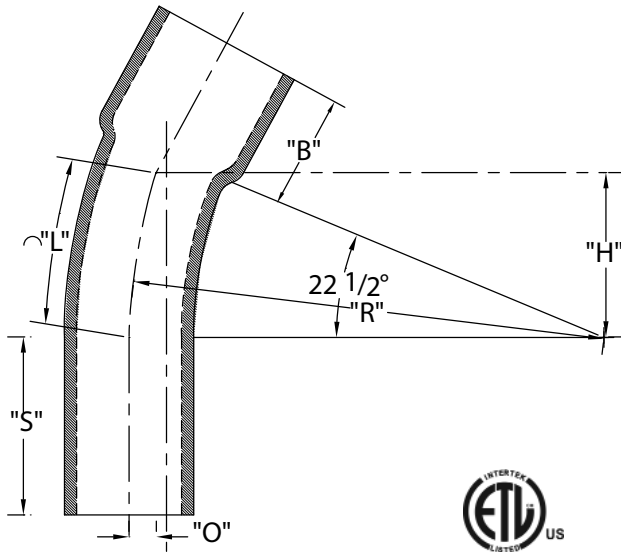
Schedule 40 30° Elbow 150" Radius Bell End

| Part Number | Trade Size | "R" | "O" | "H" | "S" MIN | "B" MIN | "L" |
|-------------|------------|---------|--------|--------|---------|---------|--------|
| 5234135 | 3 | 150.000 | 20.125 | 75.000 | 3.125 | 2.500 | 78.563 |
| 5233964 | 4 | 150.000 | 20.125 | 75.000 | 3.375 | 3.250 | 78.563 |

Dimensions are nominal

Rigid Nonmetallic Sch. 40 Elbows - Special Radius

Schedule 40 22-1/2° Elbow Special Radius - Bell End



Schedule 40 22-1/2° Elbow 36" Radius Bell End

| Part Number | Trade Size | "R" | "O" | "H" | "S" MIN | "B" MIN | "L" |
|-------------|------------|--------|-------|--------|---------|---------|--------|
| 5233997 | 1-1/2 | 36.000 | 2.750 | 13.750 | 2.000 | 2.000 | 14.125 |
| 5233851 | 2 | 36.000 | 2.750 | 13.750 | 2.000 | 2.000 | 14.125 |
| 5233937 | 2-1/2 | 36.000 | 2.750 | 13.750 | 3.000 | 2.250 | 14.125 |
| 5233904 | 3 | 36.000 | 2.750 | 13.750 | 3.125 | 2.500 | 14.125 |
| 5233853 | 4 | 36.000 | 2.750 | 13.750 | 3.375 | 3.250 | 14.125 |
| 5133888 | 5 | 36.000 | 2.750 | 13.750 | 3.625 | 4.250 | 14.125 |
| 5233905 | 6 | 36.000 | 2.750 | 13.750 | 3.750 | 5.000 | 14.125 |

Dimensions are nominal

Schedule 40 22-1/2° Elbow 48" Radius Bell End

| Part Number | Trade Size | "R" | "O" | "H" | "S" MIN | "B" MIN | "L" |
|-------------|------------|--------|-------|--------|---------|---------|--------|
| 5233995 | 1-1/4 | 48.000 | 3.625 | 18.375 | 2.000 | 1.500 | 18.875 |
| 5233984 | 2 | 48.000 | 3.625 | 18.375 | 2.000 | 2.000 | 18.875 |
| 5233907 | 3 | 48.000 | 3.625 | 18.375 | 3.125 | 2.500 | 18.875 |
| 5233932 | 4 | 48.000 | 3.625 | 18.375 | 3.375 | 3.250 | 18.875 |
| 5233931 | 5 | 48.000 | 3.625 | 18.375 | 3.625 | 4.250 | 18.875 |
| 5233862 | 6 | 48.000 | 3.625 | 18.375 | 3.750 | 5.000 | 18.875 |

Dimensions are nominal

Schedule 40 22-1/2° Elbow 18" Radius Bell End

| Part Number | Trade Size | "R" | "O" | "H" | "S" MIN | "B" MIN | "L" |
|-------------|------------|--------|-------|-------|---------|---------|-------|
| 5233902 | 1 | 18.000 | 1.375 | 6.875 | 1.875 | 1.500 | 7.063 |
| 5233908 | 1-1/2 | 18.000 | 1.375 | 6.875 | 2.000 | 2.000 | 7.063 |
| 5233639 | 2 | 18.000 | 1.375 | 6.875 | 2.000 | 2.000 | 7.063 |
| 5233936 | 2-1/2 | 18.000 | 1.375 | 6.875 | 3.000 | 2.250 | 7.063 |
| 5233845 | 3 | 18.000 | 1.375 | 6.875 | 3.125 | 2.500 | 7.063 |
| 5234016 | 4 | 18.000 | 1.375 | 6.875 | 3.375 | 3.250 | 7.063 |

Dimensions are nominal

Schedule 40 22-1/2° Elbow 24" Radius Bell End

| Part Number | Trade Size | "R" | "O" | "H" | "S" MIN | "B" MIN | "L" |
|-------------|------------|--------|-------|-------|---------|---------|-------|
| 5236425 | 1-1/4 | 24.000 | 1.813 | 9.188 | 2.000 | 1.500 | 9.438 |
| 5233915 | 2 | 24.000 | 1.813 | 9.188 | 2.000 | 2.000 | 9.438 |
| 5234019 | 2-1/2 | 24.000 | 1.813 | 9.188 | 3.000 | 2.250 | 9.438 |
| 5233903 | 3 | 24.000 | 1.813 | 9.188 | 3.125 | 2.500 | 9.438 |
| 5233909 | 4 | 24.000 | 1.813 | 9.188 | 3.375 | 3.250 | 9.438 |
| 5233917 | 6 | 24.000 | 1.813 | 9.188 | 3.750 | 5.000 | 9.438 |

Dimensions are nominal

Schedule 40 22-1/2° Elbow 30" Radius Bell End

| Part Number | Trade Size | "R" | "O" | "H" | "S" MIN | "B" MIN | "L" |
|-------------|------------|--------|-------|--------|---------|---------|--------|
| 5233810 | 2 | 30.000 | 2.250 | 11.500 | 2.000 | 2.000 | 11.750 |
| 5233821 | 3 | 30.000 | 2.250 | 11.500 | 3.125 | 2.500 | 11.750 |
| 5233948 | 4 | 30.000 | 2.250 | 11.500 | 3.375 | 3.250 | 11.750 |
| 5233900 | 5 | 30.000 | 2.250 | 11.500 | 3.625 | 4.250 | 11.750 |

Dimensions are nominal

Schedule 40 22-1/2° Elbow 60" Radius Bell End

| Part Number | Trade Size | "R" | "O" | "H" | "S" MIN | "B" MIN | "L" |
|-------------|------------|--------|-------|--------|---------|---------|--------|
| 5234013 | 2 | 60.000 | 4.563 | 23.000 | 2.000 | 2.000 | 23.563 |
| 5233899 | 3 | 60.000 | 4.563 | 23.000 | 3.125 | 2.500 | 23.563 |
| 5234012 | 4 | 60.000 | 4.563 | 23.000 | 3.375 | 3.250 | 23.563 |
| 5233961 | 5 | 60.000 | 4.563 | 23.000 | 3.625 | 4.250 | 23.563 |
| 5234065 | 6 | 60.000 | 4.563 | 23.000 | 3.750 | 5.000 | 23.563 |

Dimensions are nominal

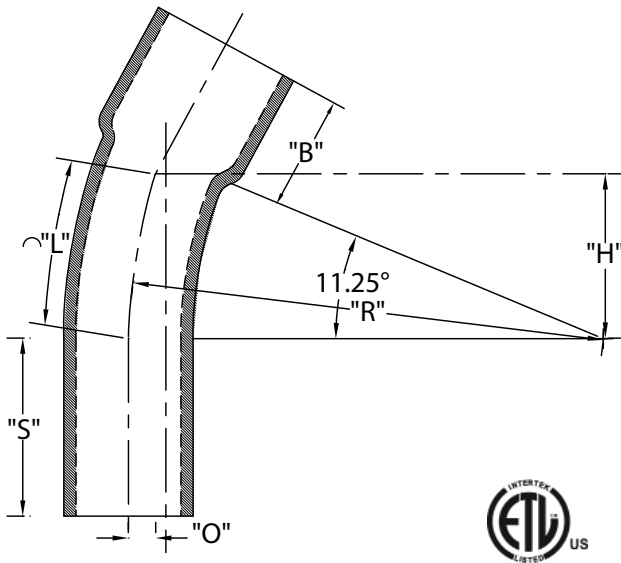
Schedule 40 22-1/2° Elbow 150" Radius Bell End

| Part Number | Trade Size | "R" | "O" | "H" | "S" MIN | "B" MIN | "L" |
|-------------|------------|---------|--------|--------|---------|---------|--------|
| 5234014 | 2 | 150.000 | 11.375 | 57.375 | 2.000 | 2.000 | 58.875 |
| 5233887 | 3 | 150.000 | 11.375 | 57.375 | 3.125 | 2.500 | 58.875 |
| 5233870 | 4 | 150.000 | 11.375 | 57.375 | 3.375 | 3.250 | 58.875 |
| 5233960 | 5 | 150.000 | 11.375 | 57.375 | 3.625 | 4.250 | 58.875 |
| 5234055 | 6 | 150.000 | 11.375 | 57.375 | 3.750 | 5.000 | 58.875 |

Dimensions are nominal

Rigid Nonmetallic Sch. 40 Elbows - Special Radius

Schedule 40 11-1/4° Elbow Special Radius - Bell End



Schedule 40 11-1/4° Elbow 36" Radius Bell End

| Part Number | Trade Size | "R" | "O" | "H" | "S" MIN | "B" MIN | "L" |
|-------------|------------|--------|------|-------|---------|---------|-------|
| 5233963 | 2 | 36.000 | .688 | 7.000 | 2.000 | 2.000 | 7.063 |
| 5234129 | 2-1/2 | 36.000 | .688 | 7.000 | 3.000 | 2.250 | 7.063 |
| 5234082 | 3 | 36.000 | .688 | 7.000 | 3.125 | 2.500 | 7.063 |
| 5233910 | 4 | 36.000 | .688 | 7.000 | 3.375 | 3.250 | 7.063 |
| 5233914 | 5 | 36.000 | .688 | 7.000 | 3.625 | 4.250 | 7.063 |
| 5233987 | 6 | 36.000 | .688 | 7.000 | 3.750 | 5.000 | 7.063 |

Dimensions are nominal

Schedule 40 11-1/4° Elbow 48" Radius Bell End

| Part Number | Trade Size | "R" | "O" | "H" | "S" MIN | "B" MIN | "L" |
|-------------|------------|--------|------|-------|---------|---------|-------|
| 5233990 | 4 | 48.000 | .938 | 9.375 | 3.375 | 3.250 | 9.438 |
| 5233977 | 5 | 48.000 | .938 | 9.375 | 3.625 | 4.250 | 9.438 |
| 5134078 | 6 | 48.000 | .938 | 9.375 | 3.750 | 5.000 | 9.438 |

Dimensions are nominal

Schedule 40 11-1/4° Elbow 24" Radius Bell End

| Part Number | Trade Size | "R" | "O" | "H" | "S" MIN | "B" MIN | "L" |
|-------------|------------|--------|------|------|---------|---------|-------|
| 5233974 | 2 | 24.000 | .469 | .688 | 2.000 | 2.000 | 4.719 |
| 5233991 | 4 | 24.000 | .469 | .688 | 3.375 | 3.250 | 4.719 |
| 5233965 | 5 | 24.000 | .469 | .688 | 3.625 | 4.250 | 4.719 |

Dimensions are nominal

Schedule 40 11-1/4° Elbow 120" Radius Bell End

| Part Number | Trade Size | "R" | "O" | "H" | "S" MIN | "B" MIN | "L" |
|-------------|------------|---------|-------|--------|---------|---------|--------|
| 5234023 | 4 | 120.000 | 2.313 | 23.438 | 3.375 | 3.250 | 23.563 |

Dimensions are nominal

Schedule 40 11-1/4° Elbow 30" Radius Bell End

| Part Number | Trade Size | "R" | "O" | "H" | "S" MIN | "B" MIN | "L" |
|-------------|------------|--------|------|-------|---------|---------|-------|
| 5233988 | 6 | 30.000 | .563 | 5.875 | 3.750 | 5.000 | 5.875 |

Dimensions are nominal

Schedule 40 11-1/4° Elbow 150" Radius Bell End

| Part Number | Trade Size | "R" | "O" | "H" | "S" MIN | "B" MIN | "L" |
|-------------|------------|---------|-------|--------|---------|---------|--------|
| 5233911 | 2 | 150.000 | 2.875 | 29.250 | 2.000 | 2.000 | 29.438 |
| 5234047 | 3 | 150.000 | 2.875 | 29.250 | 3.125 | 2.500 | 29.438 |
| 5233912 | 4 | 150.000 | 2.875 | 29.250 | 3.375 | 3.250 | 29.438 |
| 5234122 | 5 | 150.000 | 2.875 | 29.250 | 3.625 | 4.250 | 29.438 |
| 5234048 | 6 | 150.000 | 2.875 | 29.250 | 3.750 | 5.000 | 29.438 |

Dimensions are nominal

Rigid Nonmetallic Sch. 80 Elbows - Standard Radius

Schedule 80 90° Elbow - Plain End

| Part Number | Trade Size | Carton Qty. | "R" | "O" | "H" | "S" MIN | "L" |
|-------------|------------|-------------|--------|--------|--------|---------|--------|
| 5121053 | 1/2 | 50 | 4.000 | 4.000 | 4.000 | 1.500 | 6.250 |
| 5121054 | 3/4 | 35 | 4.500 | 4.500 | 4.500 | 1.500 | 7.125 |
| 5121055 | 1 | 20 | 5.750 | 5.750 | 5.750 | 1.875 | 9.000 |
| 5121056 | 1-1/4 | 30 | 7.250 | 7.250 | 7.250 | 2.000 | 11.375 |
| 5121057 | 1-1/2 | 30 | 8.250 | 8.250 | 8.250 | 2.000 | 13.000 |
| 5121058 | 2 | 15 | 9.500 | 9.500 | 9.500 | 2.000 | 15.000 |
| 5121059 | 2-1/2 | 18 | 10.500 | 10.500 | 10.500 | 3.000 | 16.500 |
| 5121060 | 3 | 14 | 13.000 | 13.000 | 13.000 | 3.125 | 20.375 |
| 5121068 | 3-1/2 | 12 | 15.000 | 15.000 | 15.000 | 3.250 | 23.500 |
| 5121061 | 4 | 10 | 16.000 | 16.000 | 16.000 | 3.375 | 25.125 |
| 5121062 | 5 | 30* | 24.000 | 24.000 | 24.000 | 3.625 | 37.625 |
| 5121063 | 6 | 25* | 30.000 | 30.000 | 30.000 | 3.750 | 47.125 |

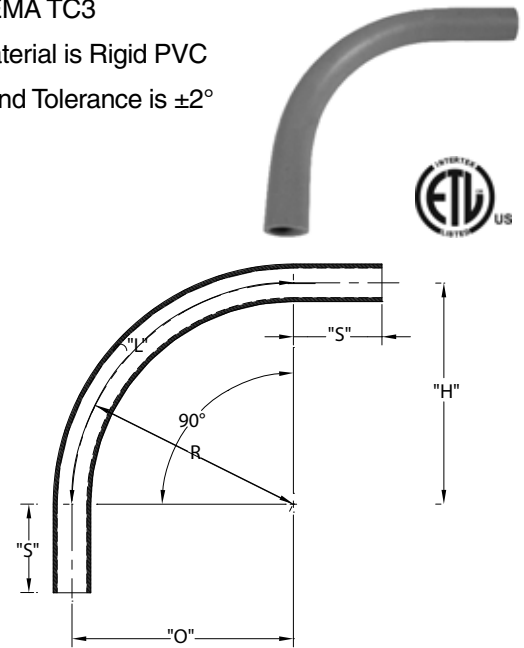
* Pallet Quantity

Dimensions are nominal

Conforms to UL651 and NEMA TC3

Material is Rigid PVC

Bend Tolerance is $\pm 2^\circ$



Schedule 80 45° Elbow - Plain End

| Part Number | Trade Size | Carton Qty. | "R" | "O" | "H" | "S" MIN | "L" |
|-------------|------------|-------------|--------|-------|--------|---------|--------|
| 5121003 | 1/2 | 50 | 4.000 | 1.188 | 2.875 | 1.500 | 3.125 |
| 5121004 | 3/4 | 25 | 4.500 | 1.313 | 3.188 | 1.500 | 3.500 |
| 5121005 | 1 | 20 | 5.750 | 1.688 | 4.000 | 1.875 | 4.500 |
| 5121006 | 1-1/4 | 25 | 7.250 | 2.125 | 5.125 | 2.000 | 5.688 |
| 5121007 | 1-1/2 | 20 | 8.250 | 2.375 | 5.875 | 2.000 | 6.500 |
| 5121008 | 2 | 10 | 9.500 | 2.813 | 6.750 | 2.000 | 7.500 |
| 5121009 | 2-1/2 | 20 | 10.500 | 2.563 | 7.375 | 3.000 | 8.250 |
| 5121010 | 3 | 8 | 13.000 | 3.813 | 9.188 | 3.125 | 10.250 |
| 5121011 | 4 | 20 | 16.000 | 4.688 | 11.438 | 3.375 | 12.625 |
| 5121012 | 5 | 30* | 24.000 | 7.000 | 17.000 | 3.625 | 18.875 |
| 5121013 | 6 | 25* | 30.000 | 8.813 | 21.250 | 3.750 | 23.875 |

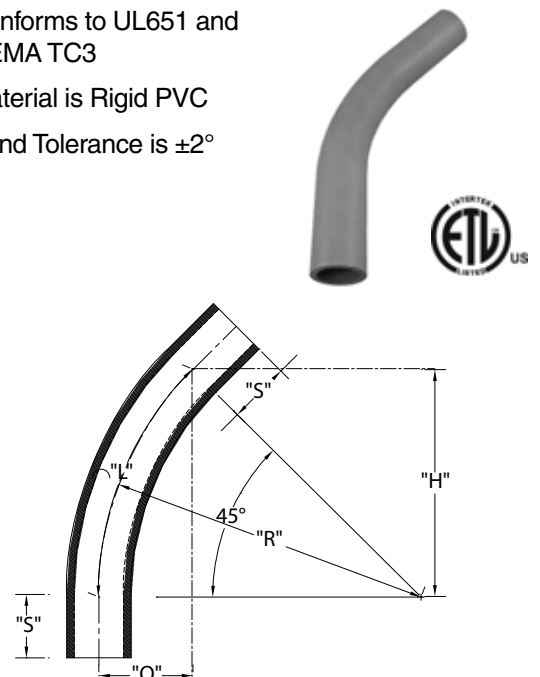
* Pallet Quantity

Dimensions are nominal

Conforms to UL651 and NEMA TC3

Material is Rigid PVC

Bend Tolerance is $\pm 2^\circ$



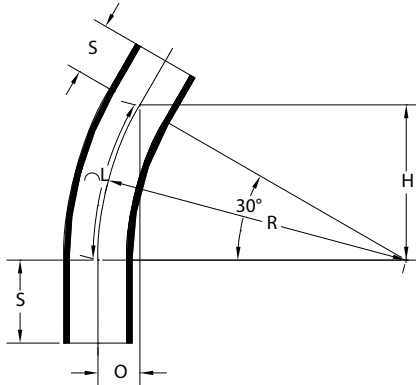
Rigid Nonmetallic Sch. 80 Elbows - Standard Radius

Schedule 80 30° Elbow - Plain End

Conforms to UL651 and NEMA TC3

Material is Rigid PVC

Bend Tolerance is $\pm 2^\circ$



| Part Number | Trade Size | Carton Qty. | "R" | "O" | "H" | "S" MIN | "L" |
|-------------|------------|-------------|--------|-------|--------|---------|--------|
| 5121000 | 1/2 | 50 | 4.000 | .500 | 2.000 | 1.500 | 2.125 |
| 5121001 | 3/4 | 25 | 4.500 | .625 | 2.250 | 1.500 | 2.375 |
| 5121002 | 1 | 20 | 5.750 | .750 | 2.875 | 1.875 | 3.000 |
| 5121106 | 1-1/4 | 25 | 7.250 | 1.000 | 3.625 | 2.000 | 3.813 |
| 5121850 | 1-1/2 | 20 | 8.250 | 1.063 | 4.125 | 2.000 | 4.313 |
| 5121108 | 2 | 10 | 9.500 | 1.250 | 4.750 | 2.000 | 5.000 |
| 5121109 | 2-1/2 | 20 | 10.500 | 1.438 | 5.250 | 3.000 | 5.500 |
| 5121110 | 3 | 8 | 13.000 | 1.750 | 6.500 | 3.125 | 6.813 |
| 5121111 | 4 | 20 | 16.000 | 2.063 | 8.000 | 3.375 | 8.375 |
| 5121112 | 5 | 30* | 24.000 | 3.188 | 12.000 | 3.625 | 12.563 |
| 5121113 | 6 | 25* | 30.000 | 4.000 | 15.000 | 3.750 | 15.688 |

* Pallet Quantity

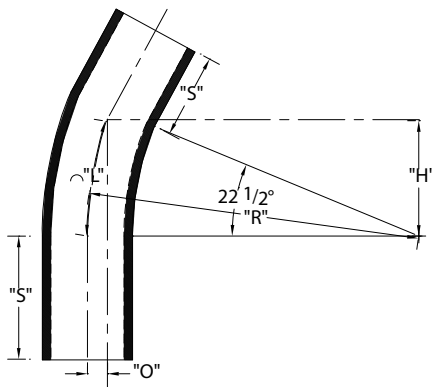
Dimensions are nominal

Schedule 80 22-1/2° Elbow - Plain End

Conforms to UL651 and NEMA TC3

Material is Rigid PVC

Bend Tolerance is $\pm 2^\circ$



| Part Number | Trade Size | Carton Qty. | "R" | "O" | "H" | "S" MIN | "L" |
|-------------|------------|-------------|--------|-------|-------|---------|-------|
| 5136649 | 1-1/2 | 25 | 8.250 | .625 | 3.125 | 2.000 | 3.250 |
| 5136659 | 2 | 10 | 9.500 | .750 | 3.625 | 2.000 | 3.750 |
| 5136669 | 2-1/2 | 20 | 10.500 | .813 | 4.000 | 3.000 | 4.125 |
| 5136679 | 3 | 8 | 13.000 | 1.000 | 5.000 | 3.125 | 5.125 |
| 5121868 | 4 | 20 | 16.000 | 1.250 | 6.125 | 3.375 | 6.250 |
| 5121125 | 5 | *60 | 24.000 | 1.813 | 9.188 | 3.625 | 9.375 |

* Pallet Quantity

Dimensions are nominal

Rigid Nonmetallic Sch. 80 Elbows - Standard Radius

Schedule 80 90° Elbow - Bell End

| Part Number | Trade Size | Carton Qty. | "R" | "O" | "H" | "S" MIN | "B" MIN | "L" |
|-------------|------------|-------------|--------|--------|--------|---------|---------|--------|
| 5221056 | 1-1/4 | 30 | 7.250 | 7.250 | 7.250 | 2.000 | 1.500 | 11.375 |
| 5221057 | 1-1/2 | 30 | 8.250 | 8.250 | 8.250 | 2.000 | 2.000 | 13.000 |
| 5221058 | 2 | 15 | 9.500 | 9.500 | 9.500 | 2.000 | 2.000 | 15.000 |
| 5221059 | 2-1/2 | 18 | 10.500 | 10.500 | 10.500 | 3.000 | 2.250 | 16.500 |
| 5221060 | 3 | 14 | 13.000 | 13.000 | 13.000 | 3.125 | 2.500 | 20.375 |
| 5221061 | 4 | 10 | 16.000 | 16.000 | 16.000 | 3.375 | 3.250 | 25.125 |
| 5221062 | 5 | 30* | 24.000 | 24.000 | 24.000 | 3.625 | 4.250 | 37.625 |
| 5221117 | 6 | 25* | 30.000 | 30.000 | 30.000 | 3.750 | 5.000 | 47.125 |

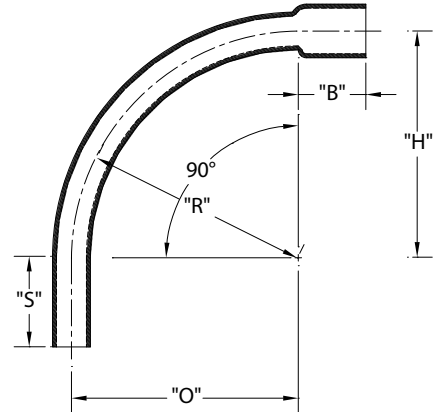
* Pallet Quantity

Dimensions are nominal

Conforms to UL651 and NEMA TC3

Material is Rigid PVC

Bend Tolerance is $\pm 2^\circ$



Schedule 80 45° Elbow - Bell End

| Part Number | Trade Size | Carton Qty. | "R" | "O" | "H" | "S" MIN | "B" MIN | "L" |
|-------------|------------|-------------|--------|-------|--------|---------|---------|--------|
| 5221006 | 1-1/4 | 25 | 7.250 | 2.125 | 5.125 | 2.000 | 1.500 | 5.688 |
| 5221007 | 1-1/2 | 20 | 8.250 | 2.438 | 5.813 | 2.000 | 2.000 | 6.500 |
| 5221008 | 2 | 10 | 9.500 | 2.813 | 6.750 | 2.000 | 2.000 | 7.500 |
| 5221009 | 2-1/2 | 20 | 10.500 | 3.063 | 7.438 | 3.000 | 2.250 | 8.250 |
| 5221010 | 3 | 8 | 13.000 | 3.813 | 9.188 | 3.500 | 2.500 | 10.188 |
| 5221011 | 4 | 20 | 16.000 | 4.688 | 11.188 | 3.375 | 3.250 | 12.563 |
| 5221012 | 5 | 30* | 24.000 | 7.000 | 17.000 | 3.625 | 4.250 | 18.875 |
| 5221013 | 6 | 25* | 30.000 | 8.875 | 21.250 | 3.750 | 5.000 | 23.563 |

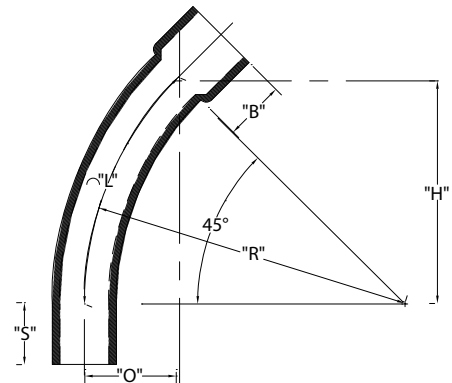
* Pallet Quantity

Dimensions are nominal

Conforms to UL651 and NEMA TC3

Material is Rigid PVC

Bend Tolerance is $\pm 2^\circ$



Rigid Nonmetallic Sch. 80 Elbows - Standard Radius

Schedule 80 22-1/2° Elbow - Bell End

Conforms to UL651 and NEMA TC3

Material is Rigid PVC

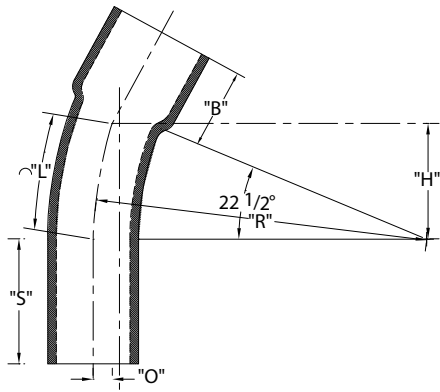
Bend Tolerance is $\pm 2^\circ$



| Part Number | Trade Size | Carton Qty. | "R" | "O" | "H" | "S" MIN | "B" MIN | "L" |
|-------------|------------|-------------|--------|-------|--------|---------|---------|--------|
| 5221052 | 2 | 10 | 9.500 | .750 | 3.625 | 2.000 | 2.000 | 3.750 |
| 5236679 | 3 | 8 | 13.000 | 1.000 | 5.000 | 3.125 | 2.500 | 5.125 |
| 5221868 | 4 | 10 | 16.000 | 1.250 | 6.125 | 3.375 | 3.250 | 6.250 |
| 5221116 | 6 | *25 | 30.000 | 2.250 | 11.500 | 3.750 | 5.000 | 11.750 |

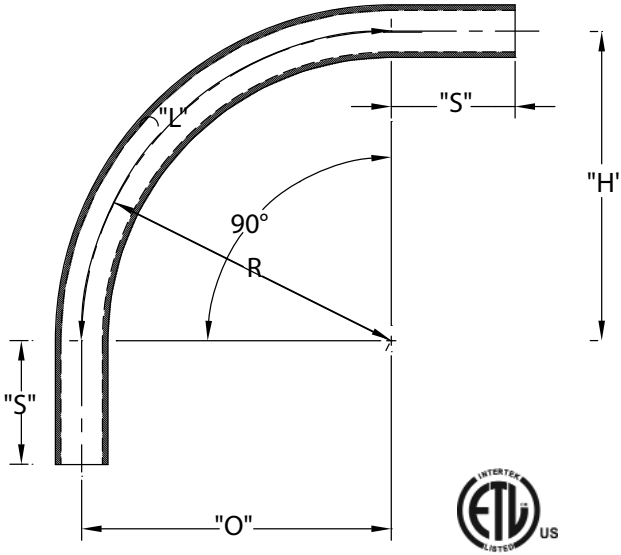
* Pallet Quantity

Dimensions are nominal



Rigid Nonmetallic Sch. 80 Elbows - Special Radius

Schedule 80 90° Elbow Special Radius - Plain End



Schedule 80 90° Elbow 18" Radius Plain End

| Part Number | Trade Size | "R" | "O" | "H" | "S" MIN | "L" |
|-------------|------------|-----|-----|-----|---------|--------|
| 5121846 | 1 | 18 | 18 | 18 | 1.875 | 28.250 |
| 5119822 | 1-1/4 | 18 | 18 | 18 | 2.000 | 28.250 |
| 5121848 | 1-1/2 | 18 | 18 | 18 | 2.000 | 28.250 |
| 5121099 | 2 | 18 | 18 | 18 | 2.000 | 28.250 |
| 5121027 | 2-1/2 | 18 | 18 | 18 | 3.000 | 28.250 |
| 5121079 | 3 | 18 | 18 | 18 | 3.125 | 28.250 |

Dimensions are nominal

Schedule 80 90° Elbow 24" Radius Plain End

| Part Number | Trade Size | "R" | "O" | "H" | "S" MIN | "L" |
|-------------|------------|-----|-----|-----|---------|--------|
| 5121018 | 1 | 24 | 24 | 24 | 1.875 | 37.750 |
| 5119824 | 1-1/4 | 24 | 24 | 24 | 2.000 | 37.750 |
| 5121015 | 1-1/2 | 24 | 24 | 24 | 2.000 | 37.750 |
| 5121019 | 2 | 24 | 24 | 24 | 2.000 | 37.750 |
| 5121028 | 2-1/2 | 24 | 24 | 24 | 3.000 | 37.750 |
| 5121020 | 3 | 24 | 24 | 24 | 3.125 | 37.750 |
| 5121022 | 4 | 24 | 24 | 24 | 3.375 | 37.750 |

Dimensions are nominal

Schedule 80 90° Elbow 30" Radius Plain End

| Part Number | Trade Size | "R" | "O" | "H" | "S" MIN | "L" |
|-------------|------------|-----|-----|-----|---------|--------|
| 5121071 | 2 | 30 | 30 | 30 | 2.000 | 47.125 |
| 5121052 | 2-1/2 | 30 | 30 | 30 | 3.000 | 47.125 |
| 5136570 | 3 | 30 | 30 | 30 | 3.125 | 47.125 |
| 5136580 | 4 | 30 | 30 | 30 | 3.375 | 47.125 |

Dimensions are nominal

Schedule 80 90° Elbow 36" Radius Plain End

| Part Number | Trade Size | "R" | "O" | "H" | "S" MIN | "L" |
|-------------|------------|-----|-----|-----|---------|--------|
| 5121080 | 1 | 36 | 36 | 36 | 1.875 | 56.500 |
| 5121084 | 1-1/4 | 36 | 36 | 36 | 2.000 | 56.500 |
| 5121100 | 1-1/2 | 36 | 36 | 36 | 2.000 | 56.500 |
| 5121021 | 2 | 36 | 36 | 36 | 2.000 | 56.500 |
| 5121016 | 2-1/2 | 36 | 36 | 36 | 3.000 | 56.500 |
| 5121081 | 3 | 36 | 36 | 36 | 3.125 | 56.500 |
| 5121023 | 4 | 36 | 36 | 36 | 3.375 | 56.500 |
| 5121083 | 5 | 36 | 36 | 36 | 3.625 | 56.500 |
| 5121073 | 6 | 36 | 36 | 36 | 3.750 | 56.5 |

Dimensions are nominal

Schedule 80 90° Elbow 48" Radius Plain End

| Part Number | Trade Size | "R" | "O" | "H" | "S" MIN | "L" |
|-------------|------------|-----|-----|-----|---------|--------|
| 5121065 | 1 | 48 | 48 | 48 | 1.875 | 75.375 |
| 5121076 | 1-1/2 | 48 | 48 | 48 | 2.000 | 75.375 |
| 5121075 | 2 | 48 | 48 | 48 | 2.000 | 75.375 |
| 5121030 | 2-1/2 | 48 | 48 | 48 | 3.000 | 75.375 |
| 5121082 | 3 | 48 | 48 | 48 | 3.125 | 75.375 |
| 5121024 | 4 | 48 | 48 | 48 | 3.375 | 75.375 |
| 5121025 | 5 | 48 | 48 | 48 | 3.625 | 75.375 |
| 5121026 | 6 | 48 | 48 | 48 | 3.750 | 75.375 |

Dimensions are nominal

Schedule 80 90° Elbow 60" Radius Plain End

| Part Number | Trade Size | "R" | "O" | "H" | "S" MIN | "L" |
|-------------|------------|-----|-----|-----|---------|--------|
| 5121102 | 1-1/2 | 60 | 60 | 60 | 2.000 | 94.250 |
| 5121086 | 2 | 60 | 60 | 60 | 2.000 | 94.250 |
| 5136970 | 3 | 60 | 60 | 60 | 3.125 | 94.250 |
| 5121085 | 4 | 60 | 60 | 60 | 3.375 | 94.250 |
| 5121017 | 5 | 60 | 60 | 60 | 3.625 | 94.250 |
| 5121087 | 6 | 60 | 60 | 60 | 3.750 | 94.250 |

Dimensions are nominal

Schedule 80 90° Elbow 72" Radius Plain End

| Part Number | Trade Size | "R" | "O" | "H" | "S" MIN | "L" |
|-------------|------------|-----|-----|-----|---------|---------|
| 5121070 | 3 | 72 | 72 | 72 | 3.125 | 113.125 |
| 5136971 | 6 | 72 | 72 | 72 | 3.750 | 113.125 |

Dimensions are nominal

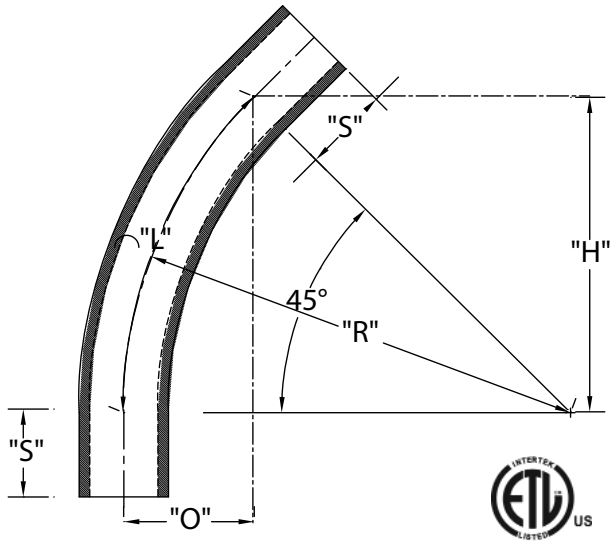
Schedule 80 90° Elbow 120" Radius Plain End

| Part Number | Trade Size | "R" | "O" | "H" | "S" MIN | "L" |
|-------------|------------|-----|-----|-----|---------|---------|
| 5133927 | 4 | 120 | 120 | 120 | 3.375 | 188.500 |

Dimensions are nominal

Rigid Nonmetallic Sch. 80 Elbows - Special Radius

Schedule 80 45° Elbow Special Radius - Plain End



Schedule 80 45° Elbow 36" Radius Plain End

| Part Number | Trade Size | "R" | "O" | "H" | "S" MIN | "L" |
|-------------|------------|--------|--------|--------|---------|--------|
| 5136502 | 1 | 36.000 | 10.500 | 25.500 | 1.875 | 28.250 |
| 5136514 | 1-1/4 | 36.000 | 10.500 | 25.500 | 2.000 | 28.250 |
| 5136533 | 1-1/2 | 36.000 | 10.500 | 25.500 | 2.000 | 28.250 |
| 5121098 | 2 | 36.000 | 10.500 | 25.500 | 2.000 | 28.250 |
| 5121150 | 2-1/2 | 36.000 | 10.500 | 25.500 | 3.000 | 28.250 |
| 5121077 | 3 | 36.000 | 10.500 | 25.500 | 3.125 | 28.250 |
| 5119821 | 4 | 36.000 | 10.500 | 25.500 | 3.375 | 28.250 |
| 5119820 | 5 | 36.000 | 10.500 | 25.500 | 3.625 | 28.250 |
| 5121072 | 6 | 36.000 | 10.500 | 25.500 | 3.750 | 28.250 |

Dimensions are nominal

Schedule 80 45° Elbow 18" Radius Plain End

| Part Number | Trade Size | "R" | "O" | "H" | "S" MIN | "L" |
|-------------|------------|--------|-------|-------|---------|--------|
| 5121971 | 1 | 18.000 | 5.250 | 12.75 | 1.875 | 14.125 |
| 5136511 | 1-1/4 | 18.000 | 5.250 | 12.75 | 2.000 | 14.125 |
| 5121037 | 1-1/2 | 18.000 | 5.250 | 12.75 | 2.000 | 14.125 |
| 5136551 | 2 | 18.000 | 5.250 | 12.75 | 2.000 | 14.125 |
| 5136561 | 2-1/2 | 18.000 | 5.250 | 12.75 | 3.000 | 14.125 |

Dimensions are nominal

Schedule 80 45° Elbow 48" Radius Plain End

| Part Number | Trade Size | "R" | "O" | "H" | "S" MIN | "L" |
|-------------|------------|--------|--------|--------|---------|--------|
| 5136515 | 1-1/4 | 48.000 | 14.000 | 34.000 | 2.000 | 37.688 |
| 5121093 | 2 | 48.000 | 14.000 | 34.000 | 2.000 | 37.688 |
| 5121078 | 3 | 48.000 | 14.000 | 34.000 | 3.125 | 37.688 |
| 5121091 | 4 | 48.000 | 14.000 | 34.000 | 3.375 | 37.688 |
| 5121948 | 5 | 48.000 | 14.000 | 34.000 | 3.625 | 37.688 |
| 5119830 | 6 | 48.000 | 14.000 | 34.000 | 3.750 | 37.688 |

Dimensions are nominal

Schedule 80 45° Elbow 24" Radius Plain End

| Part Number | Trade Size | "R" | "O" | "H" | "S" MIN | "L" |
|-------------|------------|--------|--------|-------|---------|--------|
| 5136500 | 1 | 24.000 | 17.000 | 7.000 | 1.875 | 18.875 |
| 5136512 | 1-1/4 | 24.000 | 17.000 | 7.000 | 2.000 | 18.875 |
| 5163533 | 1-1/2 | 24.000 | 17.000 | 7.000 | 2.000 | 18.875 |
| 5121101 | 2 | 24.000 | 17.000 | 7.000 | 2.000 | 18.875 |
| 5121943 | 2-1/2 | 24.000 | 17.000 | 7.000 | 3.000 | 18.875 |
| 5121014 | 3 | 24.000 | 17.000 | 7.000 | 3.125 | 18.875 |
| 5121089 | 4 | 24.000 | 17.000 | 7.000 | 3.375 | 18.875 |

Dimensions are nominal

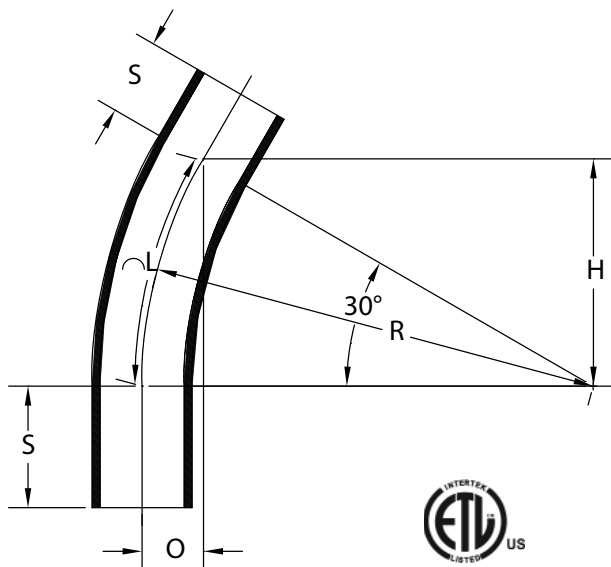
Schedule 80 45° Elbow 60" Radius Plain End

| Part Number | Trade Size | "R" | "O" | "H" | "S" MIN | "L" |
|-------------|------------|--------|--------|--------|---------|--------|
| 5136840 | 1-1/2 | 60.000 | 17.625 | 34.000 | 2.000 | 47.125 |
| 5136850 | 2 | 60.000 | 17.625 | 34.000 | 2.000 | 47.125 |
| 5136860 | 2-1/2 | 60.000 | 17.625 | 34.000 | 3.000 | 47.125 |
| 5136810 | 3 | 60.000 | 17.625 | 34.000 | 3.125 | 47.125 |
| 5121122 | 4 | 60.000 | 17.625 | 34.000 | 3.375 | 47.125 |

Dimensions are nominal

Rigid Nonmetallic Sch. 80 Elbows - Special Radius

Schedule 80 30° Elbow Special Radius - Plain End



Schedule 80 30° Elbow 24" Radius Plain End

| Part Number | Trade Size | "R" | "O" | "H" | "S" MIN | "L" |
|-------------|------------|--------|-------|--------|---------|--------|
| 5136505 | 1 | 24.000 | 3.188 | 12.000 | 1.875 | 12.563 |
| 5136536 | 1-1/2 | 24.000 | 3.188 | 12.000 | 2.000 | 12.563 |
| 5136554 | 2 | 24.000 | 3.188 | 12.000 | 2.000 | 12.563 |
| 5136573 | 3 | 24.000 | 3.188 | 12.000 | 3.125 | 12.563 |
| 5136582 | 4 | 24.000 | 3.188 | 12.000 | 3.375 | 12.563 |

Dimensions are nominal

Schedule 80 30° Elbow 36" Radius Plain End

| Part Number | Trade Size | "R" | "O" | "H" | "S" MIN | "L" |
|-------------|------------|--------|-------|--------|---------|--------|
| 5136538 | 1-1/2 | 36.000 | 4.813 | 18.000 | 2.000 | 18.875 |
| 5121094 | 2 | 36.000 | 4.813 | 18.000 | 2.000 | 18.875 |
| 5136566 | 2-1/2 | 36.000 | 4.813 | 18.000 | 3.000 | 18.875 |
| 5136575 | 3 | 36.000 | 4.813 | 18.000 | 3.125 | 18.875 |
| 5121114 | 4 | 36.000 | 4.813 | 18.000 | 3.375 | 18.875 |
| 5136587 | 5 | 36.000 | 4.813 | 18.000 | 3.625 | 18.875 |
| 5136595 | 6 | 36.000 | 4.813 | 18.000 | 3.750 | 18.875 |

Dimensions are nominal

Schedule 80 30° Elbow 48" Radius Plain End

| Part Number | Trade Size | "R" | "O" | "H" | "S" MIN | "L" |
|-------------|------------|--------|-------|--------|---------|--------|
| 5121123 | 4 | 48.000 | 6.438 | 24.000 | 3.375 | 25.125 |
| 5121115 | 5 | 48.000 | 6.438 | 24.000 | 3.625 | 25.125 |
| 5136596 | 6 | 48.000 | 6.438 | 24.000 | 3.750 | 25.125 |

Dimensions are nominal

Schedule 80 30° Elbow 18" Radius Plain End

| Part Number | Trade Size | "R" | "O" | "H" | "S" MIN | "L" |
|-------------|------------|--------|-------|-------|---------|-------|
| 5136504 | 1 | 18.000 | 2.438 | 9.063 | 1.875 | 9.438 |
| 5136516 | 1-1/4 | 18.000 | 2.438 | 9.063 | 2.000 | 9.438 |
| 5136535 | 1-1/2 | 18.000 | 2.438 | 9.063 | 2.000 | 9.438 |
| 5136553 | 2 | 18.000 | 2.438 | 9.063 | 2.000 | 9.438 |
| 5136566 | 2-1/2 | 18.000 | 2.438 | 9.063 | 3.000 | 9.438 |
| 5136572 | 3 | 18.000 | 2.438 | 9.063 | 3.125 | 9.438 |

Dimensions are nominal

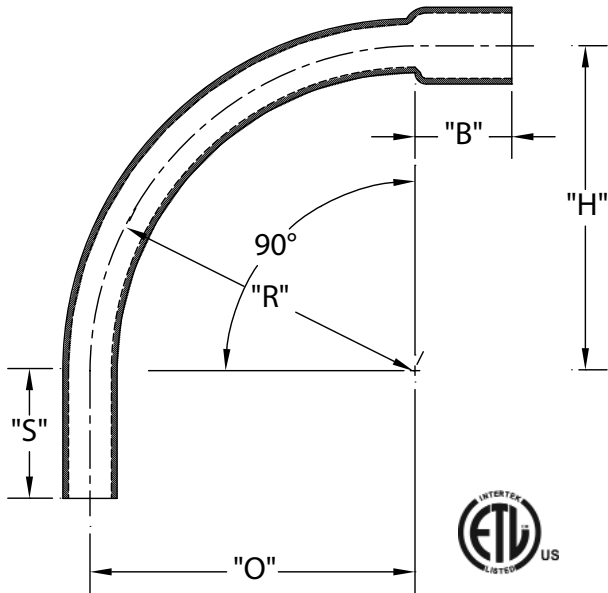
Schedule 80 30° Elbow 60" Radius Plain End

| Part Number | Trade Size | "R" | "O" | "H" | "S" MIN | "L" |
|-------------|------------|-----|-------|--------|---------|--------|
| 5136750 | 2 | 60 | 8.063 | 30.000 | 2.000 | 31.438 |

Dimensions are nominal

Rigid Nonmetallic Sch. 80 Elbows - Special Radius

Schedule 80 90° Elbow Special Radius - Bell End



Schedule 80 90° Elbow 18" Radius Bell End

| Part Number | Trade Size | "R" | "O" | "H" | "S" MIN | "B" MIN | "L" |
|-------------|------------|--------|--------|--------|---------|---------|--------|
| 5221846 | 1 | 18.000 | 18.000 | 18.000 | 1.875 | 1.500 | 28.250 |
| 5221079 | 3 | 18.000 | 18.000 | 18.000 | 3.125 | 2.500 | 28.250 |

Dimensions are nominal

Schedule 80 90° Elbow 36" Radius Bell End

| Part Number | Trade Size | "R" | "O" | "H" | "S" MIN | "B" MIN | "L" |
|-------------|------------|--------|--------|--------|---------|---------|--------|
| 5221080 | 1 | 36.000 | 36.000 | 36.000 | 1.875 | 1.500 | 56.500 |
| 5121049 | 1-1/2 | 36.000 | 36.000 | 36.000 | 2.000 | 2.000 | 56.500 |
| 5121047 | 2 | 36.000 | 36.000 | 36.000 | 2.000 | 2.000 | 56.500 |
| 5221100 | 2-1/2 | 36.000 | 36.000 | 36.000 | 3.000 | 2.250 | 56.500 |
| 5121038 | 3 | 36.000 | 36.000 | 36.000 | 3.125 | 2.500 | 56.500 |
| 5221023 | 4 | 36.000 | 36.000 | 36.000 | 3.375 | 3.250 | 56.500 |
| 5221083 | 5 | 36.000 | 36.000 | 36.000 | 3.625 | 4.250 | 56.500 |
| 5121045 | 6 | 36.000 | 36.000 | 36.000 | 3.750 | 5.000 | 56.500 |

Dimensions are nominal

Schedule 80 90° Elbow 48" Radius Bell End

| Part Number | Trade Size | "R" | "O" | "H" | "S" MIN | "B" MIN | "L" |
|-------------|------------|--------|--------|--------|---------|---------|--------|
| 5221065 | 1 | 48.000 | 48.000 | 48.000 | 1.875 | 1.500 | 75.375 |
| 5236510 | 1-1/4 | 48.000 | 48.000 | 48.000 | 2.000 | 1.500 | 75.375 |
| 5221075 | 2 | 48.000 | 48.000 | 48.000 | 2.000 | 2.000 | 75.375 |
| 5221030 | 2-1/2 | 48.000 | 48.000 | 48.000 | 3.000 | 2.250 | 75.375 |
| 5221082 | 3 | 48.000 | 48.000 | 48.000 | 3.125 | 2.500 | 75.375 |
| 5221024 | 4 | 48.000 | 48.000 | 48.000 | 3.375 | 3.250 | 75.375 |
| 5221025 | 5 | 48.000 | 48.000 | 48.000 | 3.625 | 4.250 | 75.375 |
| 5121033 | 6 | 48.000 | 48.000 | 48.000 | 3.750 | 5.000 | 75.375 |

Dimensions are nominal

Schedule 80 90° Elbow 60" Radius Bell End

| Part Number | Trade Size | "R" | "O" | "H" | "S" MIN | "B" MIN | "L" |
|-------------|------------|--------|--------|--------|---------|---------|--------|
| 5221085 | 4 | 60.000 | 60.000 | 60.000 | 3.375 | 3.250 | 94.250 |
| 5233885 | 5 | 60.000 | 60.000 | 60.000 | 3.625 | 4.250 | 94.250 |
| 5121044 | 6 | 60.000 | 60.000 | 60.000 | 3.750 | 5.000 | 94.250 |

Dimensions are nominal

Schedule 80 90° Elbow 96" Radius Bell End

| Part Number | Trade Size | "R" | "O" | "H" | "S" MIN | "B" MIN | "L" |
|-------------|------------|--------|--------|--------|---------|---------|---------|
| 5136973 | 6 | 96.000 | 96.000 | 96.000 | 3.750 | 5.000 | 150.875 |

Dimensions are nominal

Schedule 80 90° Elbow 120" Radius Bell End

| Part Number | Trade Size | "R" | "O" | "H" | "S" MIN | "B" MIN | "L" |
|-------------|------------|--------|--------|--------|---------|---------|---------|
| 5221120 | 4 | 120.00 | 120.00 | 120.00 | 3.375 | 3.250 | 188.500 |

Dimensions are nominal

Schedule 80 90° Elbow 24" Radius Bell End

| Part Number | Trade Size | "R" | "O" | "H" | "S" MIN | "B" MIN | "L" |
|-------------|------------|--------|--------|--------|---------|---------|--------|
| 5221018 | 1 | 24.000 | 24.000 | 24.000 | 1.875 | 1.500 | 37.688 |
| 5219824 | 1-1/4 | 24.000 | 24.000 | 24.000 | 2.000 | 1.500 | 37.688 |
| 5221015 | 1-1/2 | 24.000 | 24.000 | 24.000 | 2.000 | 2.000 | 37.688 |
| 5121036 | 2 | 24.000 | 24.000 | 24.000 | 2.000 | 2.000 | 37.688 |
| 5122028 | 2-1/2 | 24.000 | 24.000 | 24.000 | 3.000 | 2.250 | 37.688 |
| 5121031 | 3 | 24.000 | 24.000 | 24.000 | 3.125 | 2.500 | 37.688 |
| 5221022 | 4 | 24.000 | 24.000 | 24.000 | 3.375 | 3.250 | 37.688 |

Dimensions are nominal

Schedule 80 90° Elbow 30" Radius Bell End

| Part Number | Trade Size | "R" | "O" | "H" | "S" MIN | "B" MIN | "L" |
|-------------|------------|--------|--------|--------|---------|---------|--------|
| 5221071 | 2 | 30.000 | 30.000 | 30.000 | 2.000 | 2.000 | 47.125 |
| 5221053 | 2-1/2 | 30.000 | 30.000 | 30.000 | 3.000 | 2.250 | 47.125 |

Dimensions are nominal

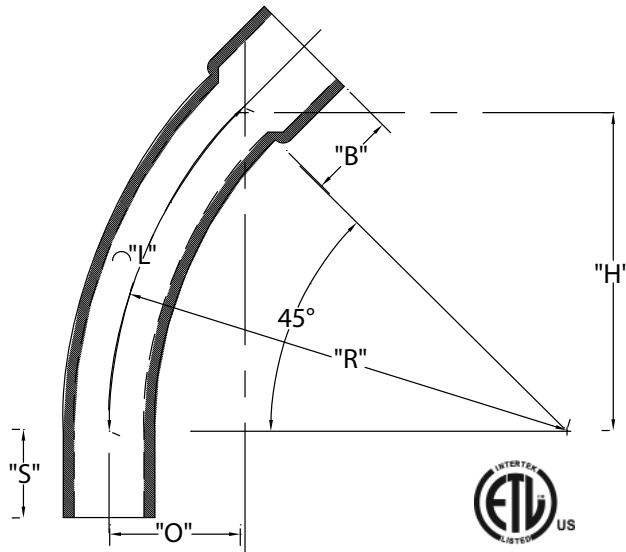
Schedule 80 90° Elbow 150" Radius Bell End

| Part Number | Trade Size | "R" | "O" | "H" | "S" MIN | "B" MIN | "L" |
|-------------|------------|---------|---------|---------|---------|---------|---------|
| 5221121 | 4 | 150.000 | 150.000 | 150.000 | 3.375 | 3.325 | 235.625 |

Dimensions are nominal

Rigid Nonmetallic Sch. 80 Elbows - Special Radius

Schedule 80 45° Elbow Special Radius - Bell End



Schedule 80 45° Elbow 24" Radius Bell End

| Part Number | Trade Size | "R" | "O" | "H" | "S" MIN | "B" MIN | "L" |
|-------------|------------|--------|-------|--------|---------|---------|--------|
| 5221104 | 1 | 24.000 | 7.000 | 17.000 | 1.875 | 1.500 | 18.875 |
| 5221101 | 2 | 24.000 | 7.000 | 17.000 | 2.000 | 2.000 | 18.875 |
| 5122943 | 2-1/2 | 24.000 | 7.000 | 17.000 | 3.000 | 2.250 | 18.875 |
| 5221014 | 3 | 24.000 | 7.000 | 17.000 | 3.125 | 2.500 | 18.875 |
| 5221089 | 4 | 24.000 | 7.000 | 17.000 | 3.375 | 3.250 | 18.875 |

Dimensions are nominal

Schedule 80 45° Elbow 36" Radius Bell End

| Part Number | Trade Size | "R" | "O" | "H" | "S" MIN | "B" MIN | "L" |
|-------------|------------|--------|--------|--------|---------|---------|--------|
| 5221098 | 2 | 36.000 | 10.500 | 25.438 | 2.000 | 2.000 | 28.250 |
| 5221150 | 2-1/2 | 36.000 | 10.500 | 25.438 | 3.000 | 2.250 | 28.250 |
| 5221077 | 3 | 36.000 | 10.500 | 25.438 | 3.125 | 2.500 | 28.250 |
| 5219821 | 4 | 36.000 | 10.500 | 25.438 | 3.375 | 3.250 | 28.250 |

Dimensions are nominal

Schedule 80 45° Elbow 48" Radius Bell End

| Part Number | Trade Size | "R" | "O" | "H" | "S" MIN | "B" MIN | "L" |
|-------------|------------|--------|--------|--------|---------|---------|--------|
| 5221078 | 3 | 48.000 | 14.000 | 33.938 | 3.125 | 2.500 | 37.688 |
| 5221091 | 4 | 48.000 | 14.000 | 33.938 | 3.375 | 3.250 | 37.688 |
| 5221948 | 5 | 48.000 | 14.000 | 33.938 | 3.625 | 4.250 | 37.688 |
| 5219830 | 6 | 48.000 | 14.000 | 33.938 | 3.750 | 5.000 | 37.688 |

Dimensions are nominal

Schedule 80 45° Elbow 60" Radius Bell End

| Part Number | Trade Size | "R" | "O" | "H" | "S" MIN | "B" MIN | "L" |
|-------------|------------|--------|--------|--------|---------|---------|--------|
| 5121949 | 5 | 60.000 | 17.563 | 42.375 | 3.625 | 4.250 | 47.125 |

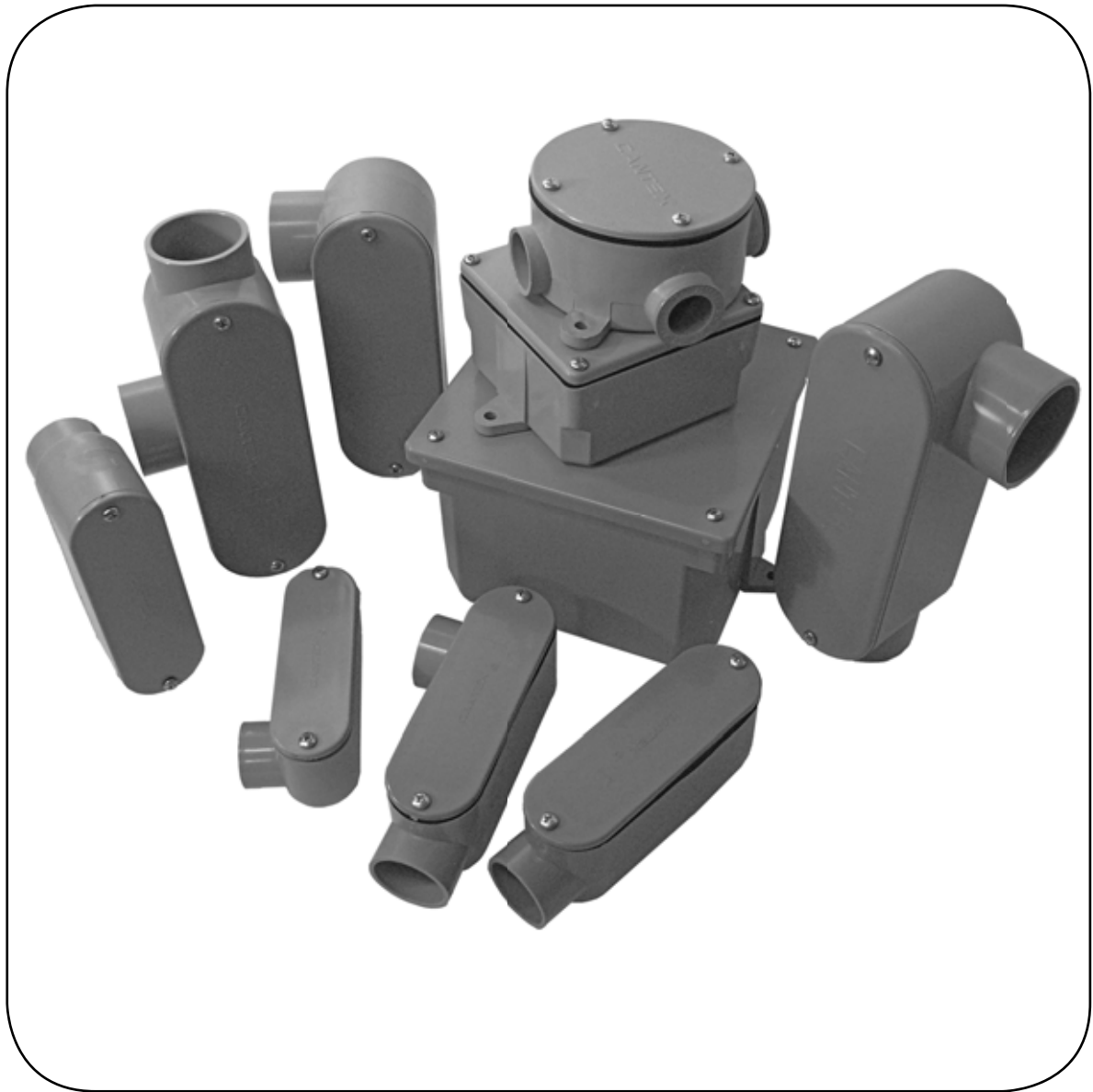
Dimensions are nominal

Schedule 80 45° Elbow 150" Radius Bell End

| Part Number | Trade Size | "R" | "O" | "H" | "S" MIN | "B" MIN | "L" |
|-------------|------------|---------|--------|---------|---------|---------|---------|
| 5221090 | 3 | 150.000 | 43.938 | 106.063 | 3.125 | 2.500 | 117.813 |
| 5121043 | 4 | 150.000 | 43.938 | 106.063 | 3.375 | 3.250 | 117.813 |
| 5121097 | 5 | 150.000 | 43.938 | 106.063 | 3.625 | 4.250 | 117.813 |
| 5136972 | 6 | 150.000 | 43.938 | 106.063 | 3.750 | 5.000 | 117.813 |

Dimensions are nominal

PVC Nonmetallic Conduit Bodies & Junction Boxes

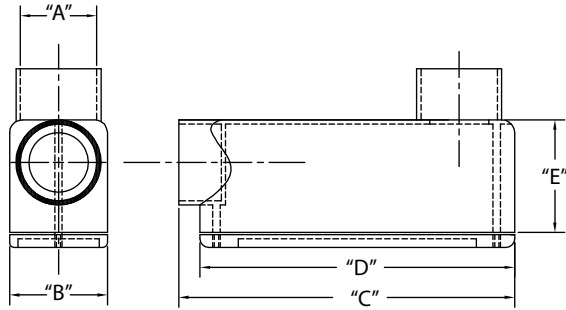


Rigid Nonmetallic PVC Conduit Bodies

Conduit Bodies - Type LB



1/2" THROUGH 2"



2-1/2" THROUGH 4"

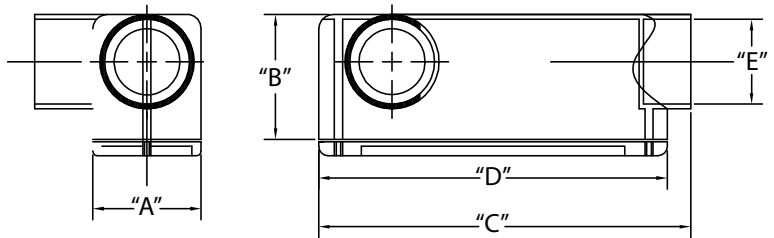
| Part Number | Trade Size | Carton Quantity | "A" | "B" | "C" | "D" | "E" | Volume Cu. In. | 3-Wire Fill |
|-------------|------------|-----------------|-------|-------|--------|--------|-------|----------------|---------------|
| 5133663 | 1/2 | 25 | .875 | 1.313 | 4.188 | 4.000 | 1.438 | 4.3 | #6 or smaller |
| 5133664 | 3/4 | 15 | 1.063 | 1.500 | 4.938 | 4.625 | 1.625 | 6.5 | #6 or smaller |
| 5133665 | 1 | 10 | 1.313 | 1.750 | 5.875 | 5.375 | 2.000 | 11.8 | #6 or smaller |
| 5133666 | 1-1/4 | 10 | 1.688 | 2.500 | 7.563 | 7.188 | 2.375 | 25.0 | XHHW #1 |
| 5133667 | 1-1/2 | 10 | 1.875 | 2.625 | 8.563 | 8.000 | 2.750 | 36.5 | XHHW #2/0 |
| 5133668 | 2 | 5 | 2.375 | 3.125 | 9.813 | 9.563 | 3.375 | 63.5 | XHHW #4/0 |
| 5133669 | 2-1/2 | 5 | 2.875 | 4.625 | 15.000 | 12.875 | 4.563 | 198.0 | XHHW 500 MCM |
| 5133670 | 3 | 5 | 3.643 | 4.625 | 15.125 | 12.875 | 4.563 | 198.0 | XHHW 500 MCM |
| 5133671 | 3-1/2 | 4 | 4.000 | 5.625 | 16.188 | 12.875 | 5.500 | 305.0 | XHHW 500 MCM |
| 5133672 | 4 | 4 | 4.000 | 5.625 | 16.188 | 12.875 | 5.500 | 305.0 | XHHW 500 MCM |

Dimensions are nominal

Conduit Bodies - Type LL



1/2" THROUGH 2"



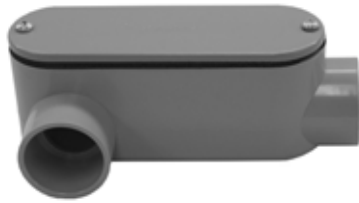
2-1/2" THROUGH 4"

| Part Number | Trade Size | Carton Quantity | "A" | "B" | "C" | "D" | "E" | Volume Cu. In. | 3-Wire Fill |
|-------------|------------|-----------------|-------|-------|--------|--------|-------|----------------|---------------|
| 5133660 | 1/2 | 25 | 1.313 | 1.438 | 4.250 | 4.000 | .875 | 4.3 | #6 or smaller |
| 5133661 | 3/4 | 15 | 1.500 | 1.625 | 4.938 | 4.625 | 1.063 | 6.5 | #6 or smaller |
| 5133662 | 1 | 10 | 1.750 | 2.000 | 6.000 | 5.375 | 1.313 | 11.8 | #6 or smaller |
| 5133649 | 1-1/4 | 10 | 2.438 | 2.438 | 7.625 | 7.188 | 1.625 | 25.0 | XHHW #1 |
| 5133648 | 1-1/2 | 10 | 2.625 | 2.813 | 8.563 | 8.000 | 1.938 | 36.5 | XHHW #2/0 |
| 5133647 | 2 | 5 | 3.063 | 3.438 | 9.875 | 9.500 | 2.375 | 63.5 | XHHW #4/0 |
| 5133644 | 2-1/2 | 5 | 4.625 | 4.625 | 14.938 | 12.750 | 2.875 | 198.0 | XHHW 500 MCM |
| 5133646 | 3 | 5 | 4.625 | 4.625 | 15.000 | 12.813 | 3.500 | 198.0 | XHHW 500 MCM |
| 5133640 | 3-1/2 | 4 | 5.625 | 5.500 | 16.188 | 12.813 | 4.000 | 305.0 | XHHW 500 MCM |
| 5133645 | 4 | 4 | 5.625 | 5.500 | 15.938 | 12.813 | 4.500 | 305.0 | XHHW 500 MCM |

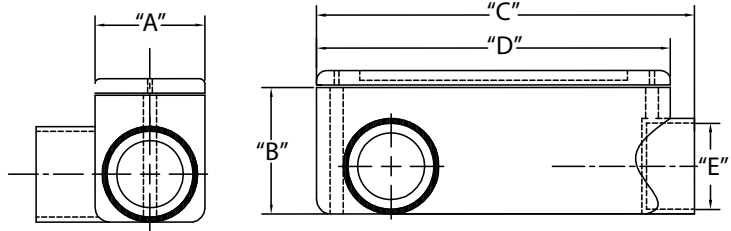
Dimensions are nominal

Rigid Nonmetallic PVC Conduit Bodies

Conduit Bodies - Type LR



1/2" THROUGH 2"

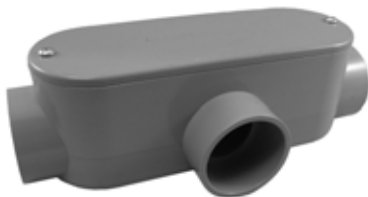


2-1/2" THROUGH 4"

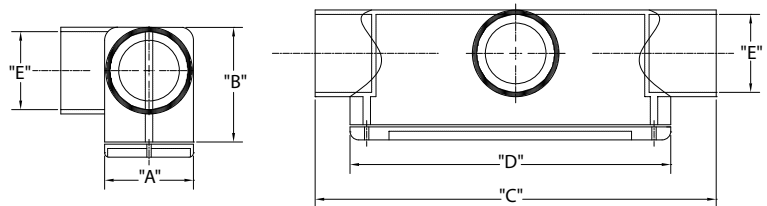
| Part Number | Trade Size | Carton Quantity | "A" | "B" | "C" | "D" | "E" | Volume Cu. In. | 3-Wire Fill |
|-------------|------------|-----------------|-------|-------|--------|--------|-------|----------------|---------------|
| 5133650 | 1/2 | 25 | 1.313 | 1.438 | 4.250 | 4.000 | .875 | 4.3 | #6 or smaller |
| 5133651 | 3/4 | 15 | 1.500 | 1.625 | 4.938 | 4.625 | 1.063 | 6.5 | #6 or smaller |
| 5133652 | 1 | 10 | 1.750 | 2.000 | 6.000 | 5.375 | 1.313 | 11.8 | #6 or smaller |
| 5133653 | 1-1/4 | 10 | 2.438 | 2.438 | 7.625 | 7.188 | 1.625 | 25.0 | XHHW #1 |
| 5133654 | 1-1/2 | 10 | 2.625 | 2.813 | 8.563 | 8.000 | 1.938 | 36.5 | XHHW #2/0 |
| 5133655 | 2 | 5 | 3.063 | 3.438 | 9.875 | 9.500 | 2.375 | 63.5 | XHHW #4/0 |
| 5133658 | 2-1/2 | 5 | 4.625 | 4.625 | 14.938 | 12.750 | 2.875 | 198.0 | XHHW 500 MCM |
| 5133656 | 3 | 5 | 4.625 | 4.625 | 15.000 | 12.813 | 3.500 | 198.0 | XHHW 500 MCM |
| 5133659 | 3-1/2 | 4 | 5.625 | 5.500 | 16.188 | 12.813 | 4.000 | 305.0 | XHHW 500 MCM |
| 5133657 | 4 | 4 | 5.625 | 5.500 | 15.938 | 12.813 | 4.500 | 305.0 | XHHW 500 MCM |

Dimensions are nominal

Conduit Bodies - Type T



1/2" THROUGH 2"



2-1/2" THROUGH 4"

| Part Number | Trade Size | Carton Quantity | "A" | "B" | "C" | "D" | "E" | Volume Cu. In. | 3-Wire Fill |
|-------------|------------|-----------------|-------|-------|--------|--------|-------|----------------|---------------|
| 5133563 | 1/2 | 25 | 1.938 | 1.500 | 4.625 | 4.000 | .875 | 4.3 | #6 or smaller |
| 5133564 | 3/4 | 15 | 1.500 | 1.688 | 5.375 | 4.625 | 1.063 | 6.5 | #6 or smaller |
| 5133565 | 1 | 10 | 1.750 | 2.000 | 6.563 | 5.375 | 1.313 | 11.8 | #6 or smaller |
| 5133566 | 1-1/4 | 10 | 2.500 | 2.500 | 8.188 | 7.188 | 1.688 | 25.0 | XHHW #1 |
| 5133567 | 1-1/2 | 10 | 2.625 | 2.813 | 9.250 | 8.000 | 1.938 | 36.5 | XHHW #2/0 |
| 5133568 | 2 | 5 | 3.125 | 3.375 | 10.375 | 9.500 | 2.375 | 63.5 | XHHW #4/0 |
| 5133569 | 2-1/2 | 2 | 4.625 | 4.625 | 19.000 | 12.875 | 3.500 | 198.0 | XHHW 500 MCM |
| 5133570 | 3 | 2 | 4.625 | 4.625 | 19.000 | 12.875 | 3.500 | 198.0 | XHHW 500 MCM |
| 5133572 | 3-1/2 | 1 | 5.563 | 5.563 | 20.375 | 13.750 | 4.000 | 305.0 | XHHW 500 MCM |
| 5133571 | 4 | 1 | 5.563 | 5.563 | 20.188 | 13.875 | 4.500 | 305.0 | XHHW 500 MCM |

Dimensions are nominal

Rigid Nonmetallic PVC Conduit Bodies

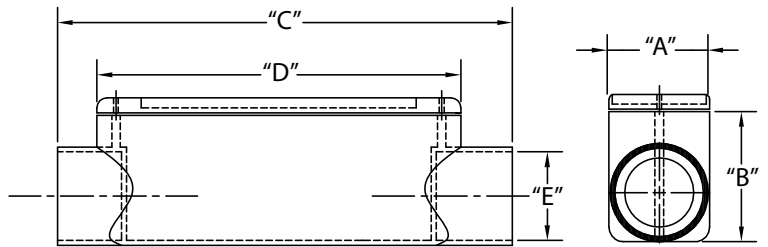
Conduit Bodies - Type C



1/2" THROUGH 2"



2-1/2" THROUGH 4"



| Part Number | Trade Size | Carton Quantity | "A" | "B" | "C" | "D" | "E" | Volume Cu. In. | 3-Wire Fill |
|-------------|------------|-----------------|-------|-------|--------|--------|-------|----------------|---------------|
| 5133101 | 1/2 | 25 | 1.938 | 1.500 | 4.625 | 4.000 | .875 | 4.3 | #6 or smaller |
| 5133102 | 3/4 | 15 | 1.500 | 1.688 | 5.375 | 4.625 | 1.063 | 6.5 | #6 or smaller |
| 5133103 | 1 | 10 | 1.750 | 2.000 | 6.563 | 5.375 | 1.313 | 11.8 | #6 or smaller |
| 5133104 | 1-1/4 | 10 | 2.500 | 2.500 | 8.188 | 7.188 | 1.688 | 25.0 | XHHW #1 |
| 5133105 | 1-1/2 | 10 | 2.625 | 2.813 | 9.250 | 8.000 | 1.938 | 36.5 | XHHW #2/0 |
| 5133106 | 2 | 5 | 3.125 | 3.375 | 10.375 | 9.500 | 2.375 | 63.5 | XHHW #4/0 |
| 5133108 | 2-1/2 | 5 | 4.625 | 4.625 | 19.000 | 12.875 | 2.875 | 198.0 | XHHW 500 MCM |
| 5133107 | 3 | 5 | 4.625 | 4.625 | 19.000 | 12.875 | 3.500 | 198.0 | XHHW 500 MCM |
| 5133110 | 3-1/2 | 4 | 5.563 | 5.563 | 20.375 | 13.750 | 4.000 | 305.0 | XHHW 500 MCM |
| 5133109 | 4 | 4 | 4.000 | 5.563 | 20.188 | 13.875 | 4.500 | 305.0 | XHHW 500 MCM |

Dimensions are nominal

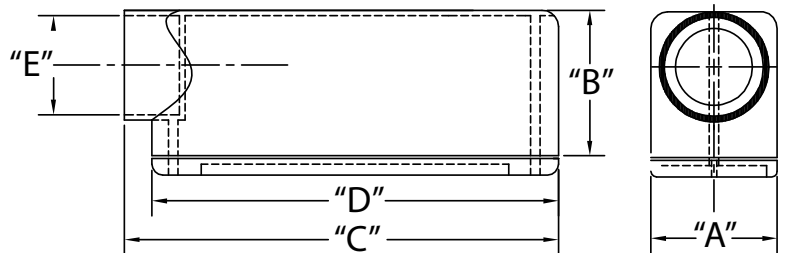
Conduit Bodies - Type E



1/2" THROUGH 2"



2-1/2" THROUGH 4"



| Part Number | Trade Size | Carton Quantity | "A" | "B" | "C" | "D" | "E" | Volume Cu. In. | 3-Wire Fill |
|-------------|------------|-----------------|-------|-------|--------|--------|-------|----------------|---------------|
| 5133151 | 1/2 | 25 | 1.313 | 1.438 | 4.250 | 4.000 | .875 | 4.3 | #6 or smaller |
| 5133152 | 3/4 | 15 | 1.500 | 1.625 | 4.938 | 4.625 | 1.063 | 6.5 | #6 or smaller |
| 5133153 | 1 | 10 | 1.750 | 2.000 | 6.000 | 5.375 | 1.313 | 11.8 | #6 or smaller |
| 5133154 | 1-1/4 | 10 | 2.438 | 2.438 | 7.625 | 7.188 | 1.625 | 25.0 | XHHW #1 |
| 5133155 | 1-1/2 | 10 | 2.625 | 2.813 | 8.563 | 8.000 | 1.938 | 36.5 | XHHW #2/0 |
| 5133156 | 2 | 5 | 3.063 | 3.438 | 9.875 | 9.500 | 2.375 | 63.5 | XHHW #4/0 |
| 5133157 | 2-1/2 | 5 | 4.625 | 4.625 | 14.938 | 12.750 | 2.875 | 198.0 | XHHW 500 MCM |
| 5133158 | 3 | 5 | 4.625 | 4.625 | 15.000 | 12.813 | 3.500 | 198.0 | XHHW 500 MCM |
| 5133160 | 3-1/2 | 4 | 5.625 | 5.500 | 16.188 | 12.813 | 4.000 | 305.0 | XHHW 500 MCM |
| 5133159 | 4 | 4 | 5.625 | 5.500 | 15.938 | 12.813 | 4.500 | 305.0 | XHHW 500 MCM |

Dimensions are nominal

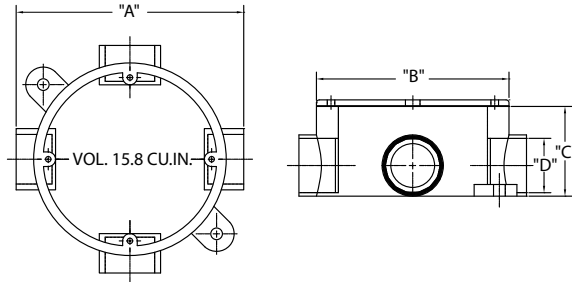
Nonmetallic PVC Junction Boxes

Round Junction Box



| Part Number | Trade Size | Carton Quantity | "A" | "B" | "C" | "D" |
|-------------|------------|-----------------|-------|-------|-------|-------|
| 5133690 | 1/2 & 3/4 | 15 | 4.750 | 4.063 | 1.875 | 1.063 |

Dimensions are nominal



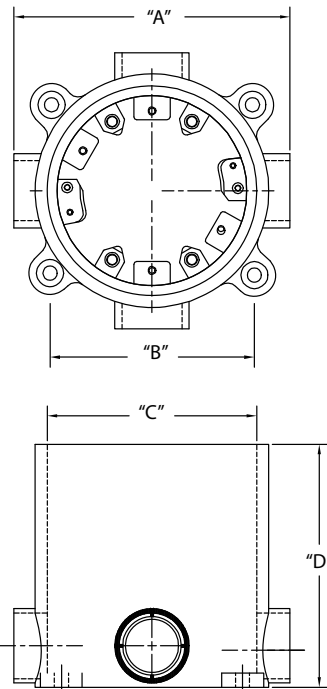
A 4" round enclosure with four entrance hubs which is surface mounted to a wall or ceiling to terminate a conduit run or join two to four conduits at a common point and to allow space for wire splices. Four screws secure a blank cover to the box.

Round Floor Box



A cylindrical enclosure designed to be embedded in a concrete floor with some excess length remaining above the plane of the floor. Excess is trimmed flush with the concrete. Sold as a kit with one leveling ring, 4 blank hubs (Stoppers), 4 reducing bushings and one polyethylene temporary pour lid.

15.0 cubic inch per inch of depth
 90.0 cubic inch maximum volume
 Minimum concrete depth - 3"



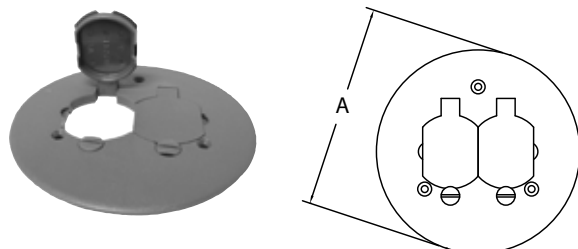
| Part Number | Trade Size | Carton Quantity | "A" | "B" | "C" | "D" |
|-------------|--|-----------------|-------|-------|-------|-------|
| 5133760 | Floor Box Base 4-3/4" Hubs, 4-3/4" to 1/2" Reducers, Level Ring and Pour Cover | 9 | 6.438 | 3.563 | 4.563 | 6.000 |
| 5133758 | Floor Box Base 2-3/4" Hubs & 2-1" Hubs 2-3/4" to 1/2" Reducers, 2-1" to 3/4" Reducers, Level Ring and Pour Cover | 9 | 6.438 | 3.563 | 4.563 | 6.000 |

Dimensions are nominal

Duplex Cover - Bronze

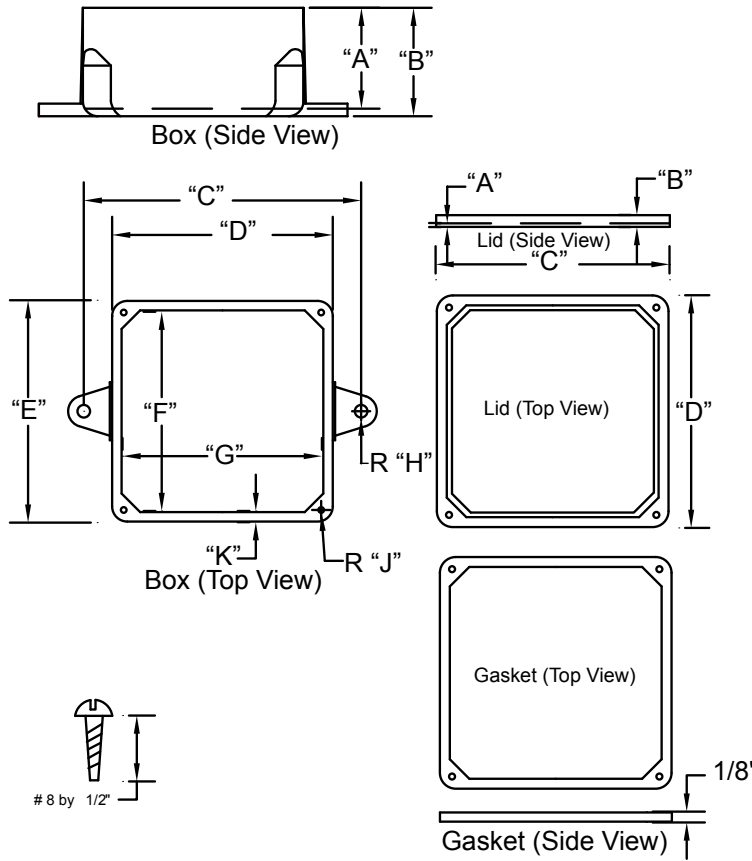
| Part Number | Trade Size | Carton Quantity | "A" |
|-------------|-----------------------|-----------------|-------|
| 5133678 | Duplex Cover - Bronze | 10 | 5.500 |

Dimensions are nominal

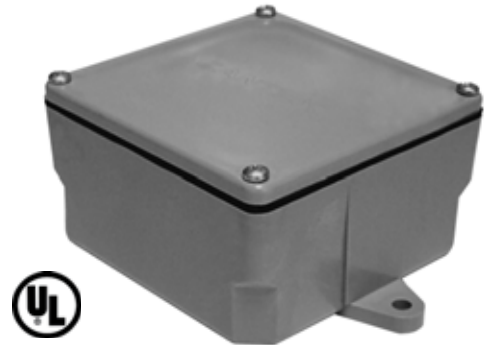


Nonmetallic PVC Junction Boxes

Junction Box



Molded Junction Box



Fabricated Junction Box
Larger than 12 inch Square



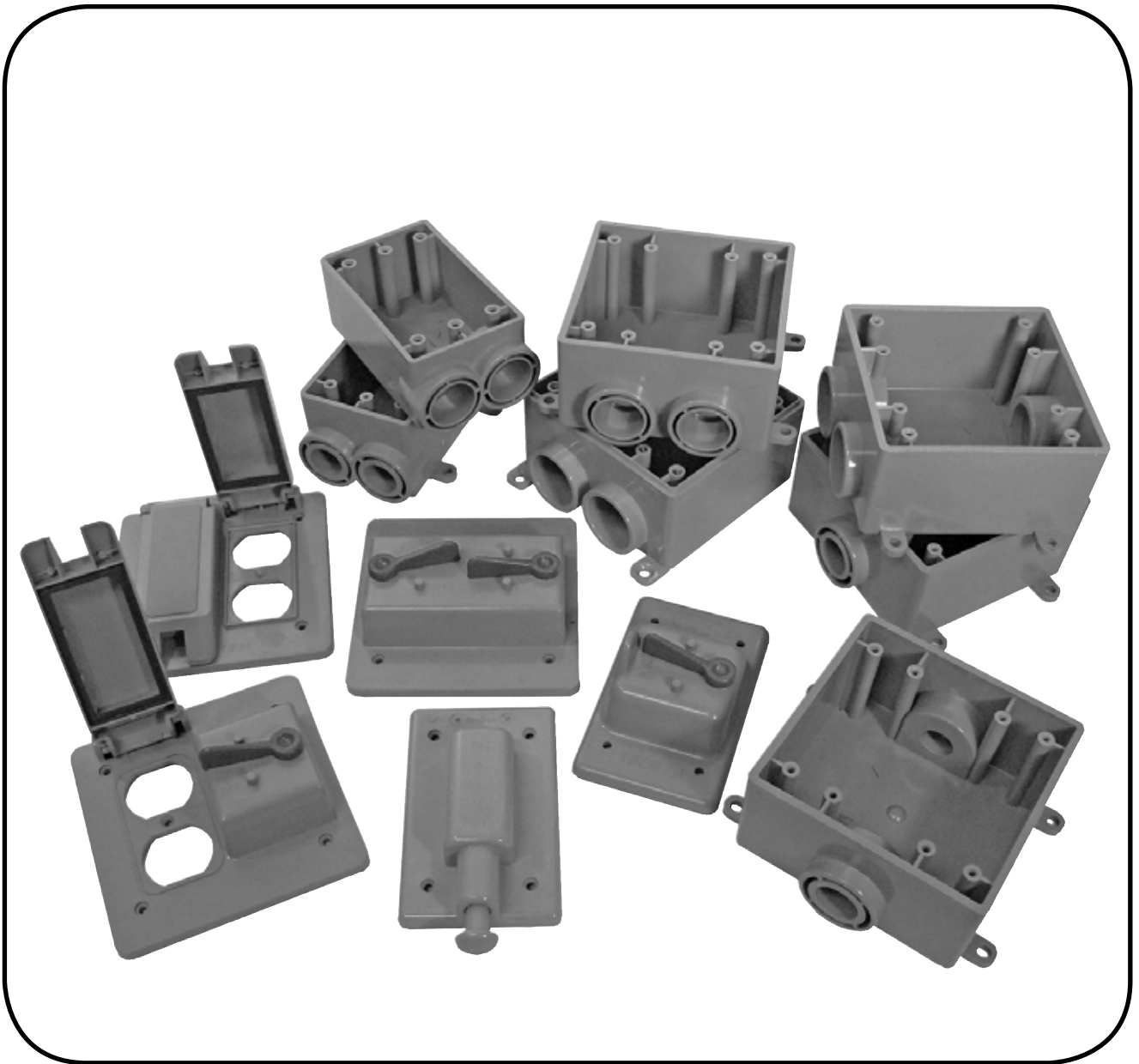
| Part Number | Trade Size | Carton Qty. | Junction Box Base | | | | | | | | | Cover | | | | Screws | |
|-------------|------------|-------------|-------------------|-------|--------|--------|--------|--------|--------|------|------|-------|------|------|--------|--------|------------|
| | | | "A" | "B" | "C" | "D" | "E" | "F" | "G" | "H" | "J" | "K" | "A" | "B" | "C" | | "D" |
| 5133705 | 4x4x2 | 10 | 2.000 | 2.150 | 5.375 | 4.400 | 4.400 | 4.000 | 4.000 | .250 | .125 | .160 | .240 | .370 | 4.375 | 4.375 | #8 x 1/2" |
| 5133709 | 4x4x4 | 10 | 4.000 | 4.150 | 5.375 | 4.400 | 4.400 | 4.000 | 4.000 | .250 | .188 | .160 | .240 | .700 | 4.375 | 4.375 | #8 x 1/2" |
| 5133707 | 4x4x6 | 10 | 6.000 | 6.150 | 5.375 | 4.400 | 4.400 | 4.000 | 4.000 | .250 | .188 | .160 | .240 | .370 | 4.375 | 4.375 | #8 x 1/2" |
| 5133706 | 5x5x2 | 10 | 2.000 | 2.170 | 6.375 | 5.375 | 5.375 | 5.000 | 5.000 | .250 | .188 | .170 | .180 | .267 | 5.375 | 5.375 | #8 x 1/2" |
| 5133710 | 6x6x4 | 10 | 4.000 | 4.200 | 7.375 | 6.438 | 6.438 | 6.000 | 6.000 | .250 | .188 | .220 | .180 | .350 | 6.750 | 6.750 | #8 x 1/2" |
| 5133711 | 6x6x6 | 5 | 6.000 | 6.250 | 7.375 | 6.438 | 6.438 | 6.000 | 6.000 | .250 | .188 | .220 | .180 | .350 | 6.750 | 6.750 | #8 x 1/2" |
| 5133712 | 8x8x4 | 5 | 4.000 | 4.250 | 9.375 | 8.625 | 8.625 | 8.000 | 8.000 | .250 | .188 | .220 | .180 | .350 | 9.000 | 9.000 | #10 x 3/4" |
| 5133164 | 8x8x6 | 4 | 6.000 | 6.250 | 9.375 | 8.625 | 8.625 | 8.000 | 8.000 | .250 | .188 | .220 | .180 | .350 | 9.000 | 9.000 | #10 x 3/4" |
| 5133708 | 8x8x7 | 4 | 7.000 | 7.250 | 9.375 | 8.625 | 8.625 | 8.000 | 8.000 | .250 | .188 | .220 | .180 | .350 | 9.000 | 9.000 | #10 x 3/4" |
| 5133714 | 12x12x4 | 2 | 4.000 | 4.250 | 13.625 | 12.625 | 12.625 | 11.875 | 11.875 | .250 | .188 | .220 | .220 | .437 | 13.000 | 13.000 | #10 x 3/4" |
| 5133713 | 12x12x6 | 2 | 6.000 | 6.250 | 13.750 | 12.625 | 12.625 | 11.875 | 11.875 | .250 | .188 | .220 | .220 | .437 | 13.000 | 13.000 | #10 x 3/4" |
| **5133163 | 16x14x6 | 1 | -- | -- | -- | -- | -- | -- | -- | -- | -- | -- | -- | -- | -- | -- | -- |
| •5133165 | 24x18x8 | 1 | -- | -- | -- | -- | -- | -- | -- | -- | -- | -- | -- | -- | -- | -- | -- |
| •5133161 | 24x18x12 | 1 | -- | -- | -- | -- | -- | -- | -- | -- | -- | -- | -- | -- | -- | -- | -- |
| •5133166 | 24x24x8 | 1 | -- | -- | -- | -- | -- | -- | -- | -- | -- | -- | -- | -- | -- | -- | -- |
| •5133173 | 36x24x8 | 1 | -- | -- | -- | -- | -- | -- | -- | -- | -- | -- | -- | -- | -- | -- | -- |

Dimensions are nominal

* Not UL Listed

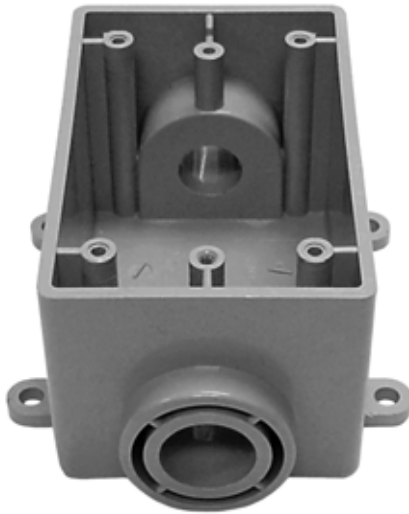
** UL Listed with only a Type 1 NEMA Rating

PVC Nonmetallic Exposed Boxes and Weatherproof Covers



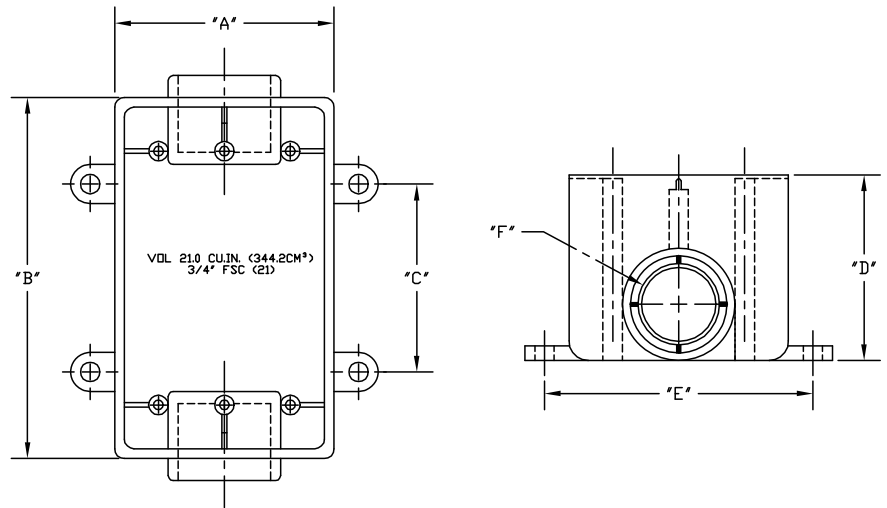
Nonmetallic PVC Exposed Electrical Boxes

Type FSC Single Gang Box



| Part Number | Trade Size | Carton Quantity | "A" | "B" | "C" | "D" | "E" | "F" |
|-------------|------------|-----------------|-------|-------|-------|-------|-------|-------|
| 5133463 | 1/2 | 10 | 2.813 | 4.563 | 2.625 | 2.375 | 3.438 | .875 |
| 5133464 | 3/4 | 10 | 2.813 | 4.563 | 2.625 | 2.375 | 3.438 | 1.063 |
| 5133465 | 1 | 10 | 2.813 | 4.563 | 2.625 | 2.375 | 3.438 | 1.313 |

Dimensions are nominal

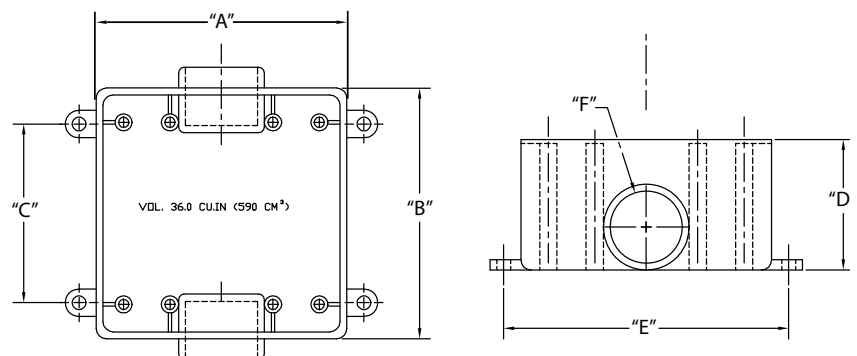


Type FSC Two Gang Box



| Part Number | Trade Size | Carton Quantity | "A" | "B" | "C" | "D" | "E" | "F" |
|-------------|------------|-----------------|-------|-------|-------|-------|-------|-------|
| 5133370 | 1/2 | 5 | 4.563 | 4.563 | 3.250 | 2.375 | 5.250 | .875 |
| 5133371 | 3/4 | 5 | 4.563 | 4.563 | 3.250 | 2.375 | 5.250 | 1.063 |
| 5133372 | 1 | 5 | 4.563 | 4.563 | 3.250 | 2.375 | 5.250 | 1.313 |

Dimensions are nominal



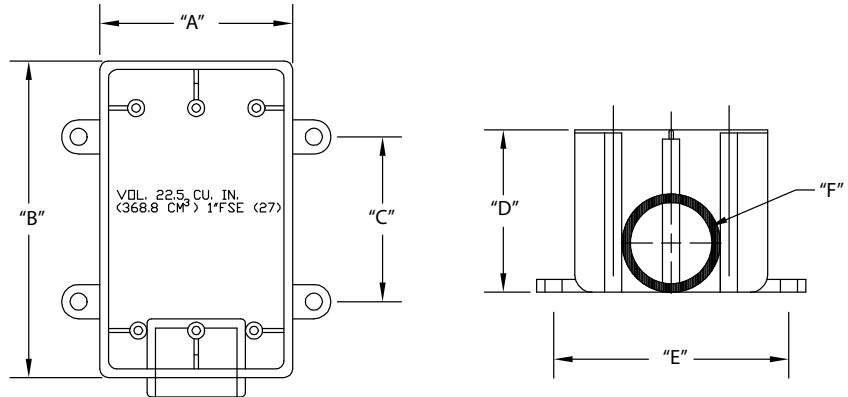
Nonmetallic PVC Exposed Electrical Boxes

Type FSE Single Gang Box

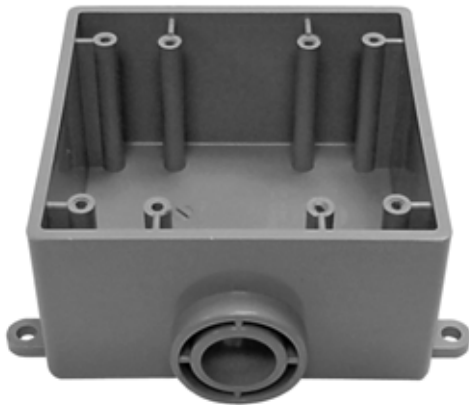


| Part Number | Trade Size | Carton Quantity | "A" | "B" | "C" | "D" | "E" | "F" |
|-------------|------------|-----------------|-------|-------|-------|-------|-------|-------|
| 5133363 | 1/2 | 10 | 2.875 | 4.563 | 2.625 | 2.375 | 3.438 | .875 |
| 5133364 | 3/4 | 10 | 2.875 | 4.563 | 2.625 | 2.375 | 3.438 | 1.063 |
| 5133365 | 1 | 10 | 2.875 | 4.563 | 2.625 | 2.375 | 3.438 | 1.313 |

Dimensions are nominal

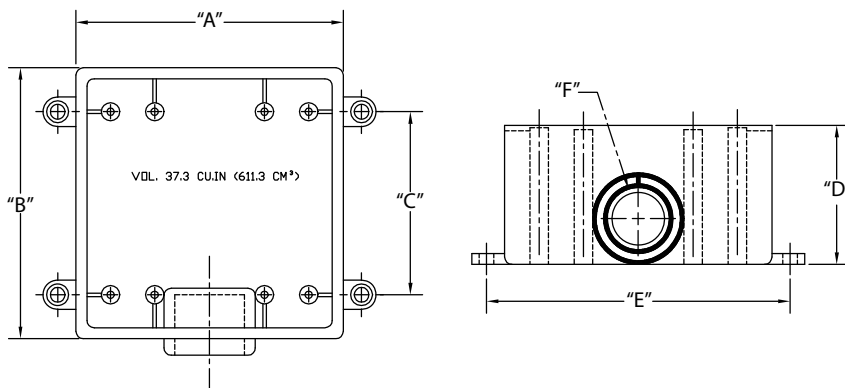


Type FSE Two Gang Box



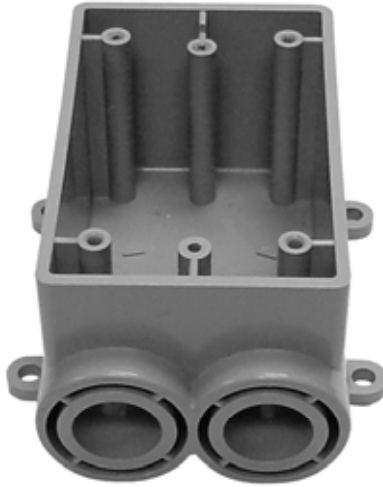
| Part Number | Trade Size | Carton Quantity | "A" | "B" | "C" | "D" | "E" | "F" |
|-------------|------------|-----------------|-------|-------|-------|-------|-------|-------|
| 5133380 | 1/2 | 5 | 4.563 | 4.563 | 3.250 | 2.375 | 5.250 | .875 |
| 5133381 | 3/4 | 5 | 4.563 | 4.563 | 3.250 | 2.375 | 5.250 | 1.063 |
| 5133382 | 1 | 5 | 4.563 | 4.563 | 3.250 | 2.375 | 5.250 | 1.313 |

Dimensions are nominal



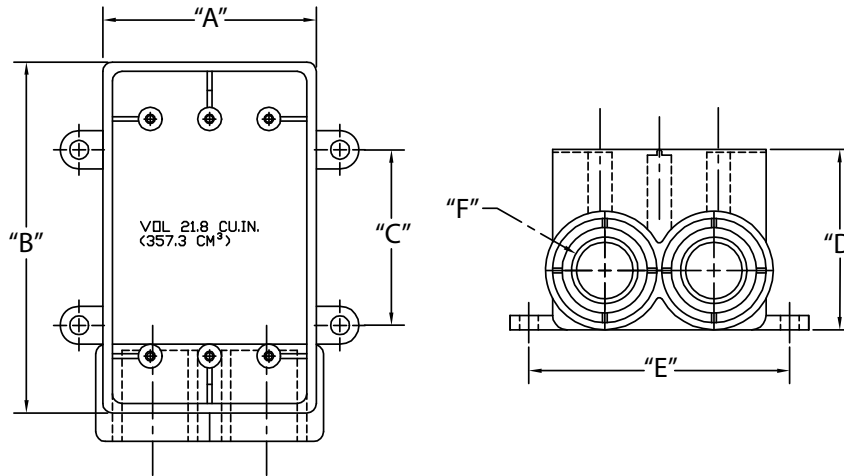
Nonmetallic PVC Exposed Electrical Boxes

Type FSS Single Gang Box



| Part Number | Trade Size | Carton Quantity | "A" | "B" | "C" | "D" | "E" | "F" |
|-------------|------------|-----------------|-------|-------|-------|-------|-------|-------|
| 5133540 | 1/2 | 10 | 2.813 | 4.625 | 2.625 | 2.375 | 3.500 | .875 |
| 5133542 | 3/4 | 10 | 2.813 | 4.625 | 2.625 | 2.375 | 3.500 | 1.063 |
| 5133543 | 1 | 10 | 2.813 | 4.625 | 2.625 | 2.375 | 3.500 | 1.313 |

Dimensions are nominal

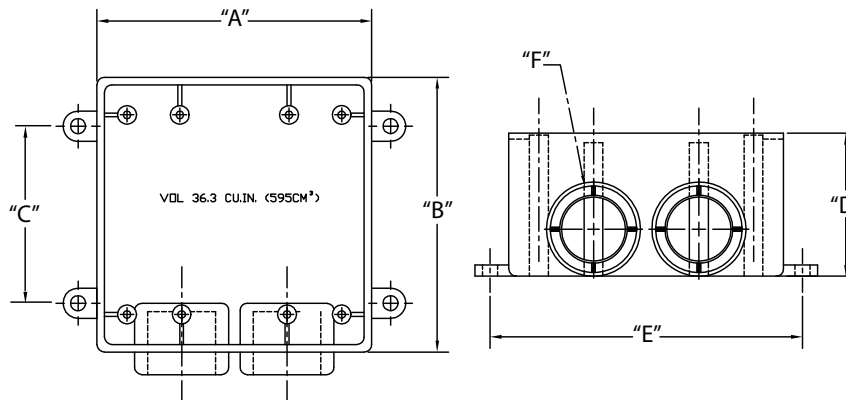


Type FSS Two Gang Box



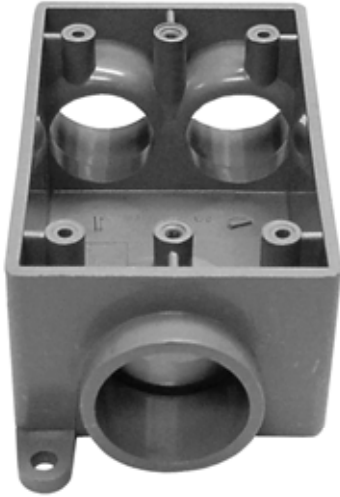
| Part Number | Trade Size | Carton Quantity | "A" | "B" | "C" | "D" | "E" | "F" |
|-------------|------------|-----------------|-------|-------|-------|-------|-------|-------|
| 5133390 | 1/2 | 5 | 4.563 | 4.563 | 3.250 | 2.375 | 5.250 | .875 |
| 5133391 | 3/4 | 5 | 4.563 | 4.563 | 3.250 | 2.375 | 5.250 | 1.063 |
| 5133392 | 1 | 5 | 4.563 | 4.563 | 3.250 | 2.375 | 5.250 | 1.313 |

Dimensions are nominal



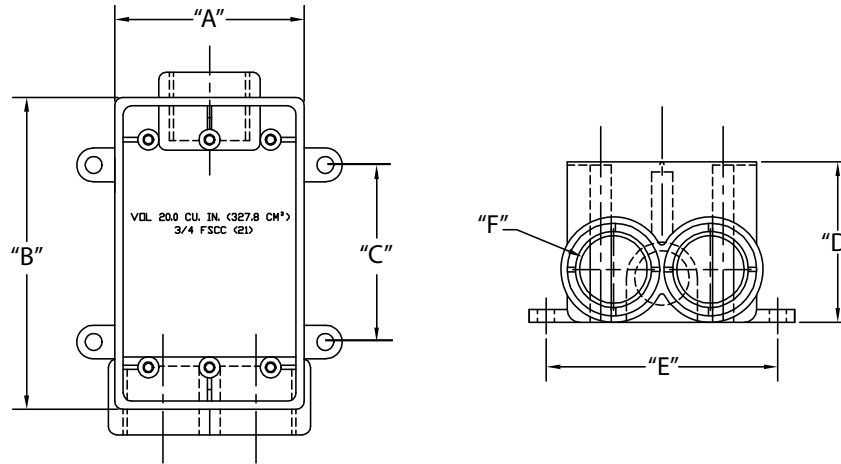
Nonmetallic PVC Exposed Electrical Boxes

Type FSCC Single Gang Box



| Part Number | Trade Size | Carton Quantity | "A" | "B" | "C" | "D" | "E" | "F" |
|-------------|------------|-----------------|-------|-------|-------|-------|-------|-------|
| 5133544 | 1/2 | 10 | 2.813 | 4.625 | 2.625 | 2.375 | 3.438 | .875 |
| 5133545 | 3/4 | 10 | 2.813 | 4.625 | 2.625 | 2.375 | 3.438 | 1.063 |
| 5133546 | 1 | 10 | 2.813 | 4.625 | 2.625 | 2.375 | 3.438 | 1.313 |

Dimensions are nominal

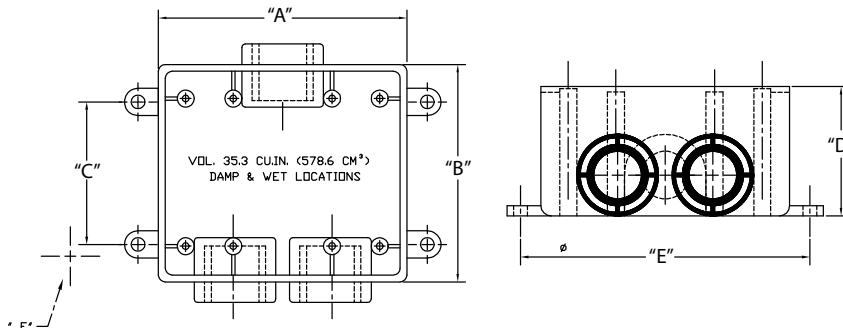


Type FSCC Two Gang Box



| Part Number | Trade Size | Carton Quantity | "A" | "B" | "C" | "D" | "E" | "F" |
|-------------|------------|-----------------|-------|-------|-------|-------|-------|-------|
| 5133400 | 1/2 | 5 | 4.563 | 4.563 | 3.250 | 2.375 | 5.250 | .875 |
| 5133401 | 3/4 | 5 | 4.563 | 4.563 | 3.250 | 2.375 | 5.250 | 1.063 |
| 5133402 | 1 | 5 | 4.563 | 4.563 | 3.250 | 2.375 | 5.250 | 1.313 |

Dimensions are nominal



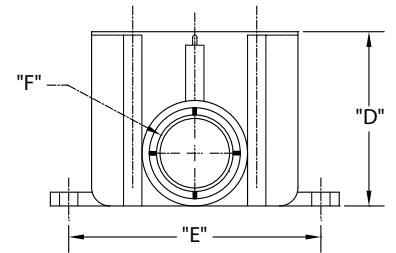
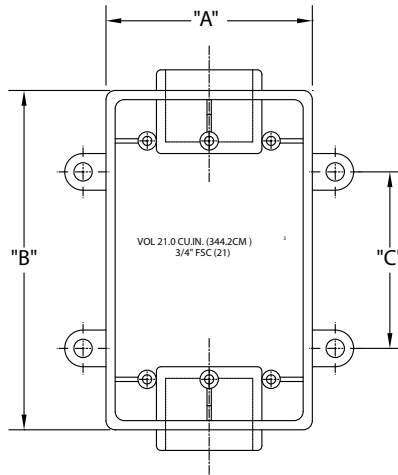
Nonmetallic PVC Exposed Electrical Boxes

Type FDC Single Gang Box



| Part Number | Trade Size | Carton Quantity | "A" | "B" | "C" | "D" | "E" | "F" |
|-------------|------------|-----------------|-------|-------|-------|-------|-------|-------|
| 5133310 | 1/2 | 10 | 2.563 | 4.563 | 2.625 | 2.938 | 3.500 | .875 |
| 5133311 | 3/4 | 10 | 2.563 | 4.563 | 2.625 | 2.938 | 3.500 | 1.063 |
| 5133312 | 1 | 10 | 2.563 | 4.563 | 2.625 | 2.938 | 3.500 | 1.313 |

Dimensions are nominal

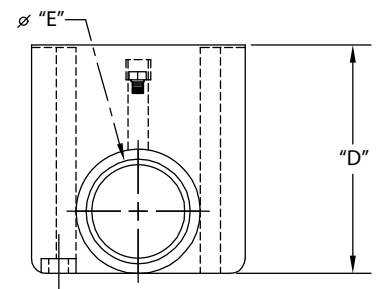
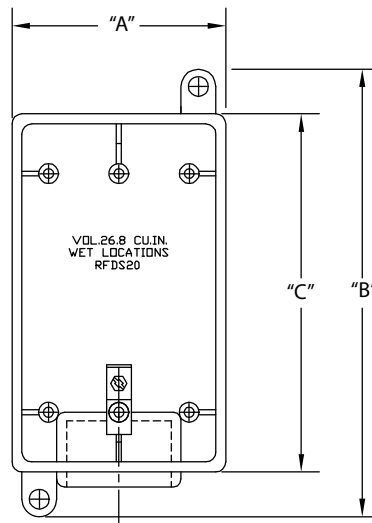


Type FDE Single Gang Box



| Part Number | Trade Size | Carton Quantity | "A" | "B" | "C" | "D" | "E" |
|-------------|------------|-----------------|-------|-------|-------|-------|-------|
| 5133300 | 1/2 | 10 | 2.688 | 5.875 | 4.500 | 2.875 | .875 |
| 5133301 | 3/4 | 10 | 2.688 | 5.875 | 4.500 | 2.875 | 1.063 |
| 5133302 | 1 | 10 | 2.688 | 5.875 | 4.500 | 2.875 | 1.313 |

Dimensions are nominal

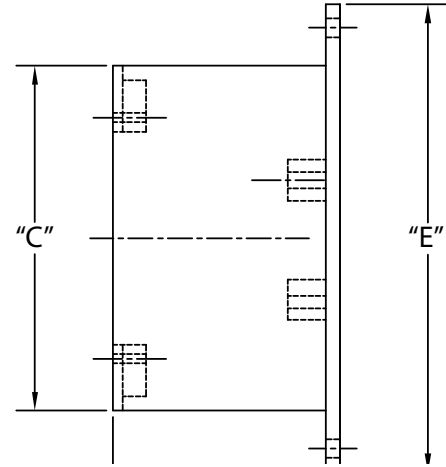
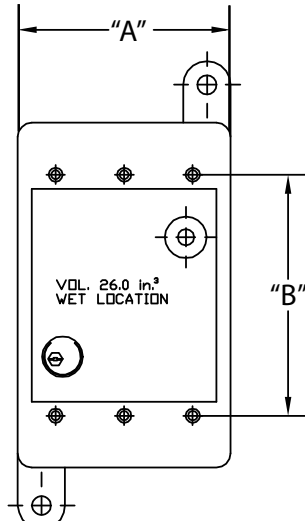


Nonmetallic PVC Exposed Electrical Boxes

Type FD-Blank Single Gang Box

| Part Number | Trade Size | Carton Quantity | "A" | "B" | "C" | "D" | "E" |
|-------------|------------|-----------------|-------|-------|-------|-------|-------|
| 5133420 | -- | 10 | 2.813 | 3.313 | 4.563 | 3.000 | 6.375 |

Dimensions are nominal



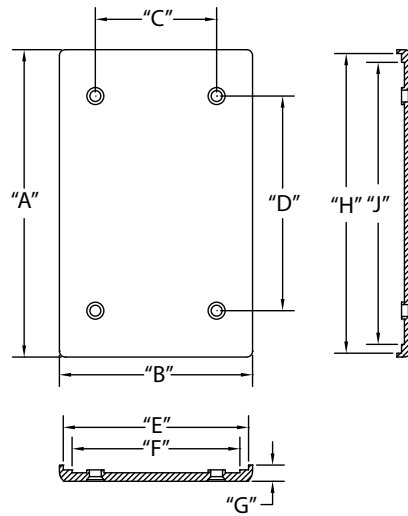
Nonmetallic PVC Weatherproof Covers

Blank Single Gang Cover



| Part Number | Trade Size | Carton Quantity | "A" | "B" | "C" | "D" | "E" | "F" | "G" |
|-------------|------------|-----------------|-------|-------|-------|-------|-------|-------|-------|
| 5133362 | -- | 50 | 4.750 | 3.000 | 1.875 | 3.313 | 2.875 | 4.625 | 4.375 |

Dimensions are nominal

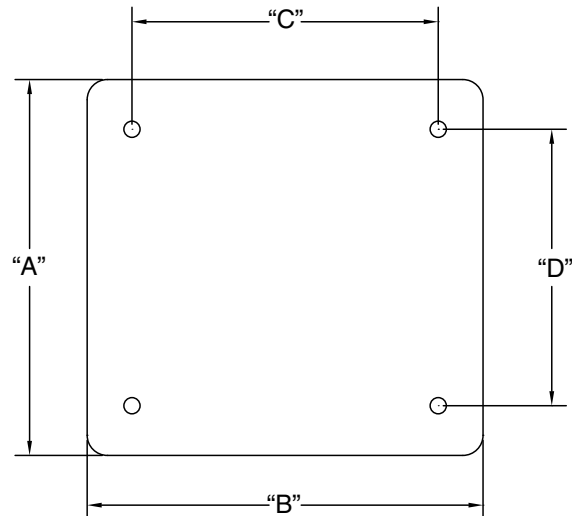


Blank Two Gang Cover



| Part Number | Trade Size | Carton Quantity | "A" | "B" | "C" | "D" |
|-------------|------------|-----------------|-------|-------|-------|-------|
| 5133410 | -- | 25 | 4.688 | 4.938 | 3.813 | 3.438 |

Dimensions are nominal



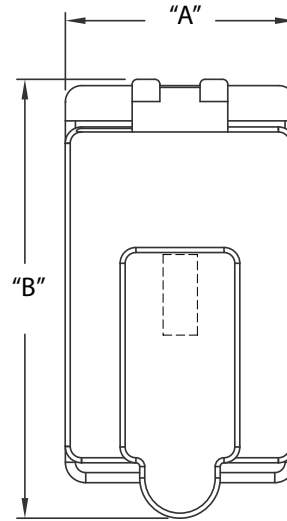
Nonmetallic PVC Weatherproof Covers

Single Gang Switch Cover



| Part Number | Trade Size | Carton Quantity | "A" | "B" |
|-------------|------------|-----------------|-------|-------|
| 5133361 | -- | 10 | 2.850 | 5.450 |

Dimensions are nominal



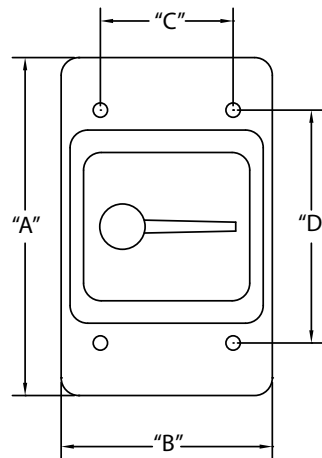
Wet locations when cover is closed.

Single Gang Toggle Switch Cover



| Part Number | Trade Size | Carton Quantity | "A" | "B" | "C" | "D" |
|-------------|------------|-----------------|-------|-------|-------|-------|
| 5133330 | -- | 10 | 4.813 | 3.000 | 1.875 | 3.313 |

Dimensions are nominal



Wet locations when cover is closed.

Nonmetallic PVC Weatherproof Covers

Single Gang Single Receptacle Cover

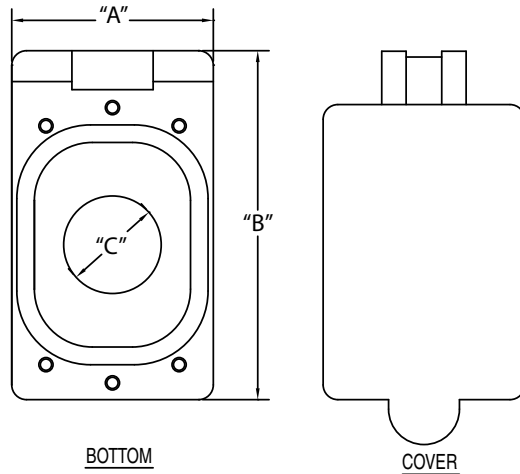


| Part Number | Trade Size | Carton Quantity | "A" | "B" | "C" |
|-------------|------------|-----------------|-------|-------|-------|
| 5133350 | 15 amp | 10 | 2.850 | 4.930 | 1.375 |
| 5133320 | 20 amp | 10 | 2.850 | 4.930 | 1.625 |
| 5133321 | 30 amp | 10 | 2.850 | 4.930 | 1.722 |
| 5133322 | 50 amp | 10 | 2.850 | 4.930 | 2.187 |

Dimensions are nominal



Wet locations when cover is closed.



Single Gang GFI Receptacle Cover

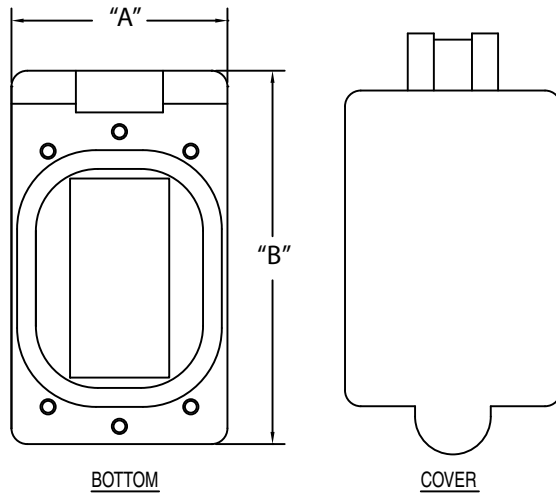


| Part Number | Trade Size | Carton Quantity | "A" | "B" |
|-------------|------------|-----------------|-------|-------|
| 5133348 | -- | 10 | 2.850 | 4.930 |

Dimensions are nominal



Wet locations when cover is closed.



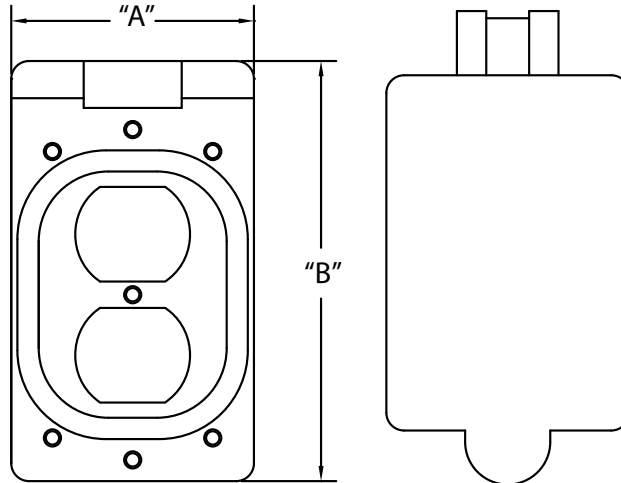
Nonmetallic PVC Weatherproof Covers

Single Gang Duplex Receptacle Cover



| Part Number | Trade Size | Carton Quantity | "A" | "B" |
|-------------|------------|-----------------|-------|-------|
| 5133352 | -- | 10 | 2.850 | 4.930 |

Dimensions are nominal



BOTTOM

COVER



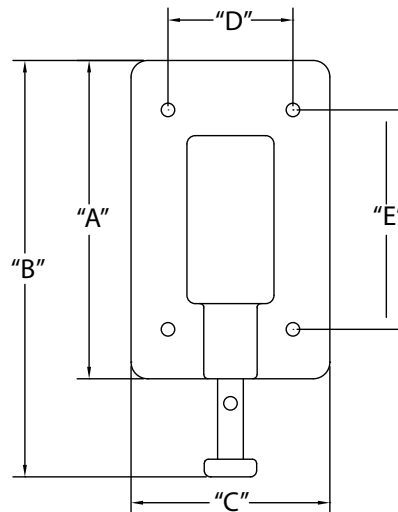
Wet locations when cover is closed.

Single Gang Plunger Switch Cover



| Part Number | Trade Size | Carton Quantity | "A" | "B" | "C" | "D" | "E" |
|-------------|------------|-----------------|-------|-------|-------|-------|-------|
| 5133335 | -- | 10 | 4.813 | 6.250 | 3.000 | 1.875 | 3.313 |

Dimensions are nominal



Wet locations when cover is closed.

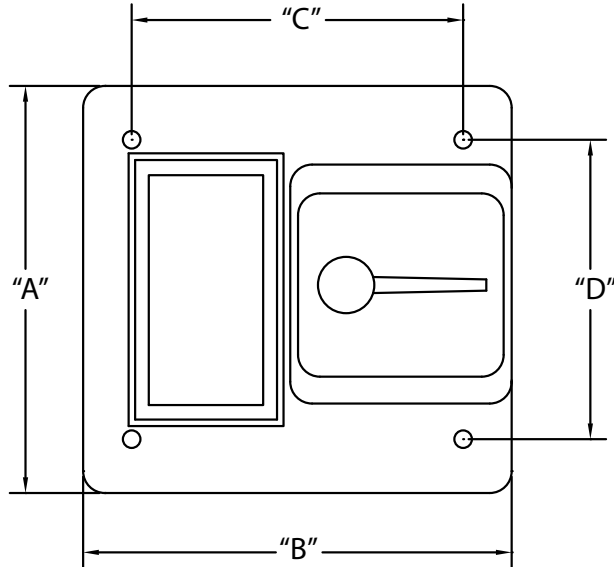
Nonmetallic PVC Weatherproof Covers

Two Gang GFI & Toggle Switch Cover



| Part Number | Trade Size | Carton Quantity | "A" | "B" | "C" | "D" |
|-------------|------------|-----------------|-------|-------|-------|-------|
| 5133345 | -- | 10 | 4.688 | 4.875 | 3.813 | 3.438 |

Dimensions are nominal



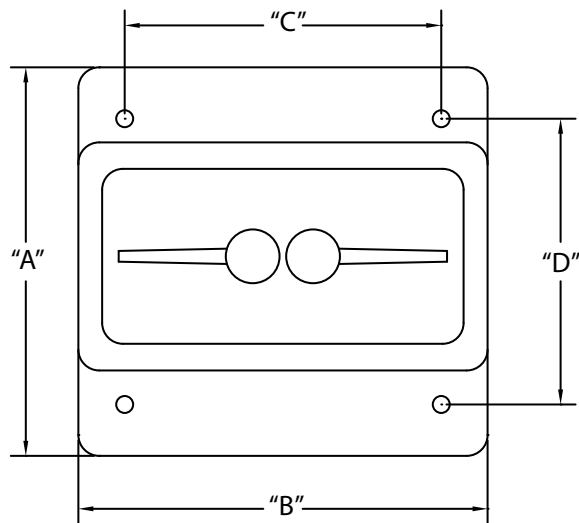
Wet locations when cover is closed.

Two Gang Toggle Switch Cover



| Part Number | Trade Size | Carton Quantity | "A" | "B" | "C" | "D" |
|-------------|------------|-----------------|-------|-------|-------|-------|
| 5133331 | -- | 10 | 4.688 | 4.938 | 3.813 | 3.438 |

Dimensions are nominal



Wet locations when cover is closed.

Nonmetallic PVC Weatherproof Covers

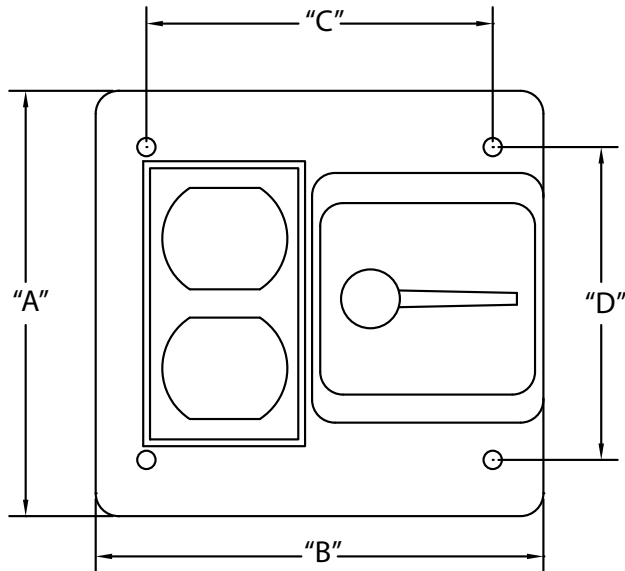
Two Gang Duplex & Toggle Switch Cover



Wet locations when cover is closed.

| Part Number | Trade Size | Carton Quantity | "A" | "B" | "C" | "D" |
|-------------|------------|-----------------|-------|-------|-------|-------|
| 5133337 | -- | 10 | 4.688 | 4.875 | 3.813 | 3.438 |

Dimensions are nominal



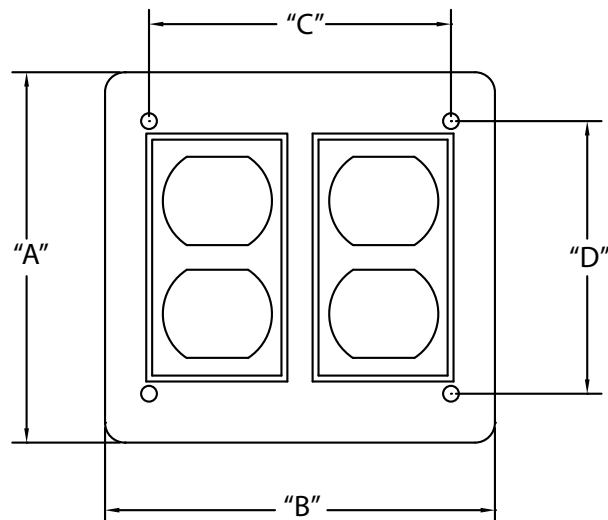
Two Gang Double Duplex Cover



Wet locations when cover is closed.

| Part Number | Trade Size | Carton Quantity | "A" | "B" | "C" | "D" |
|-------------|------------|-----------------|-------|-------|-------|-------|
| 5133347 | -- | 10 | 4.688 | 4.875 | 3.813 | 3.438 |

Dimensions are nominal



Nonmetallic PVC Weatherproof Covers

Single Gang In-Use Cover



| Part Number | Depth | Carton Quantity |
|-------------|-------|-----------------|
| 5133692 | 2.250 | 6 |
| 5133694 | 3.125 | 6 |



Standard depth cover for 16 gage or lighter cord sets for vending machines, holiday lighting, landscape lighting and portable signs. Plug and outlet protection for any single gang application.

Meets 2005 NEC 406.8 (B) code.

15 and 20 amps, 125 and 250V receptacles installed in wet locations shall have an enclosure that is weatherproof whether or not the attachment plug cap is inserted.

Wet locations when cover is closed.



Includes three patented rotating inserts providing 16 configurations

Two Gang In-Use Cover



| Part Number | Depth | Carton Quantity |
|-------------|-------|-----------------|
| 5133693 | 2.250 | 6 |



Standard depth cover for 16 gage or lighter cord sets for vending machines, holiday lighting, landscape lighting and portable signs. Plug and outlet protection for any single gang application.

Meets 2005 NEC 406.8 (B) code.

Wet locations when cover is closed.



Includes six patented rotating inserts providing 70 configurations

Fittings for NEMA TC6 & TC8 DB & EB Utility Duct



Fittings for Type EB & DB Duct

Terminal (Male) Adapter

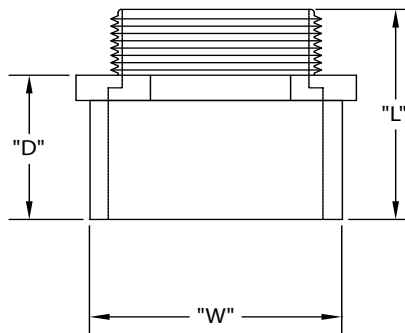
A connector used to transition from plain end PVC conduit to a threaded metal or plastic female bell. Can also be used to connect PVC conduit to a box or other threaded body with use of a lock nut. The fitting consists of one solvent weld female end and one threaded male end. Both ends will fit the same diameter conduit.



1/2" thru 1-1/2"

| Part Number | Trade Size | Carton Qty. | "W" | "L" | "D" |
|-------------|------------|-------------|-------|-------|-------|
| 5140103 | 1/2 | 200 | 1.063 | 1.688 | 1.125 |
| 5140104 | 3/4 | 125 | 1.250 | 1.750 | 1.188 |
| 5140105 | 1 | 70 | 1.625 | 2.188 | 1.500 |
| 5140106 | 1-1/4 | 40 | 2.000 | 2.125 | 1.313 |
| 5140107 | 1-1/2 | 30 | 2.000 | 2.063 | 1.313 |

Dimensions are nominal

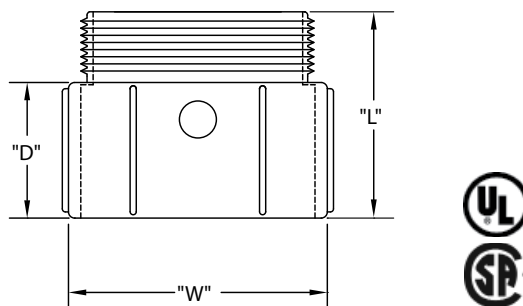


2" and Larger

| Part Number | Trade Size | Carton Qty. | "W" | "L" | "D" |
|-------------|------------|-------------|-------|-------|-------|
| 5140108 | 2 | 40 | 2.688 | 2.188 | 1.375 |
| 5140109 | 2-1/2 | 20 | 3.313 | 2.875 | 2.000 |
| 5140110 | 3 | 40 | 3.938 | 3.000 | 2.188 |
| 5140111 | 3-1/2 | 30 | 4.500 | 3.188 | 2.563 |
| 5140112 | 4 | 20 | 5.000 | 3.438 | 2.563 |
| 5140113 | 5 | 10 | 6.250 | 4.750 | 3.000 |
| 5140114 | 6 | 8 | 7.313 | 4.938 | 2.688 |
| 5140055D | 8 | 2 | -- | -- | -- |

* Not UL Listed

Dimensions are nominal



Fittings for Type EB & DB Duct

Female Adapter

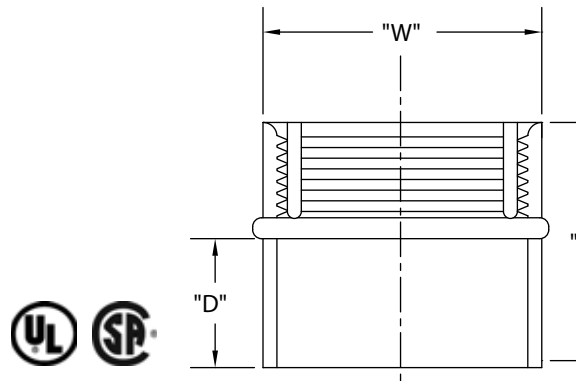
| Part Number | Trade Size | Carton Qty. | "W" | "L" | "D" |
|-------------|------------|-------------|-------|-------|-------|
| 5140043 | 1/2 | 200 | 1.000 | 1.438 | .688 |
| 5140044 | 3/4 | 125 | 1.250 | 1.625 | .688 |
| 5140045 | 1 | 70 | 1.563 | 1.875 | .875 |
| 5140046 | 1-1/4 | 40 | 2.000 | 1.938 | .938 |
| 5140047 | 1-1/2 | 30 | 2.250 | 2.125 | .938 |
| 5140048 | 2 | 40 | 2.688 | 2.125 | .938 |
| 5140049 | 2-1/2 | 20 | 3.313 | 3.000 | 1.313 |
| 5140050 | 3 | 40 | 4.000 | 3.063 | 1.250 |
| 5140051 | 3-1/2 | 30 | 4.500 | 3.000 | 1.188 |
| 5140052 | 4 | 20 | 5.000 | 3.250 | 1.375 |
| 5140053 | 5 | 10 | 6.125 | 3.688 | 1.313 |
| 5140054 | 6 | 8 | 7.250 | 4.375 | 1.625 |
| * 5140055D | 8 | 2 | 9.313 | 7.000 | 2.250 |

* Not UL Listed

Dimensions are nominal



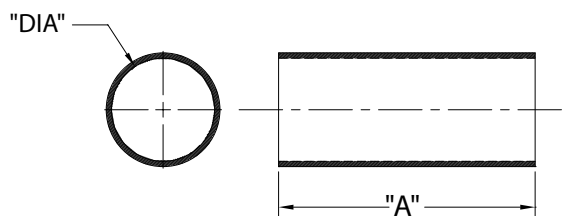
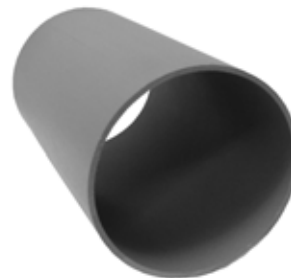
A connector often used to transition threaded metal conduit to PVC conduit. It can also be used to join PVC to PVC. The fittings consist of two female ends. One end is threaded and the other is solvent weld. Both ends will fit the same diameter conduit.



TC-6 Longline Coupling with No Center Stop - Fabricated

| Part Number | Trade Size | Carton Qty. | "DIA" | "A" |
|-------------|------------|-------------|-------|-------|
| 6121622 | 1-1/2 | 30 | 1.921 | 5.00 |
| 6121623 | 2 | 20 | 2.400 | 6.00 |
| 6121625 | 3 | 25 | 3.538 | 6.00 |
| 6121626 | 4 | 15 | 4.544 | 6.75 |
| 6121627 | 5 | 8 | 5.614 | 7.00 |
| 6121635 | 6 | 4 | 6.687 | 10.00 |

Dimensions are nominal

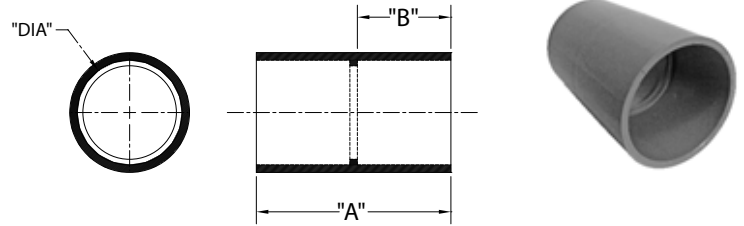


Fittings for Type EB & DB Duct

Sch. 40 Longline Coupling with Center Stop - Molded

| Part Number | Trade Size | Carton Qty. | "DIA" | "A" | "B" |
|-------------|------------|-------------|-------|-------|-------|
| 6202000 | 2 | 20 | 2.375 | 4.188 | 2.000 |
| 6202002 | 2-1/2 | 25 | 2.875 | 6.313 | 2.750 |
| 6202005 | 3 | 25 | 3.500 | 6.500 | 3.250 |
| 6202010 | 4 | 15 | 4.500 | 7.000 | 3.500 |
| 6202015 | 5 | 8 | 5.563 | 8.313 | 3.625 |
| 6202016 | 6 | 4 | 6.625 | 9.000 | 3.500 |

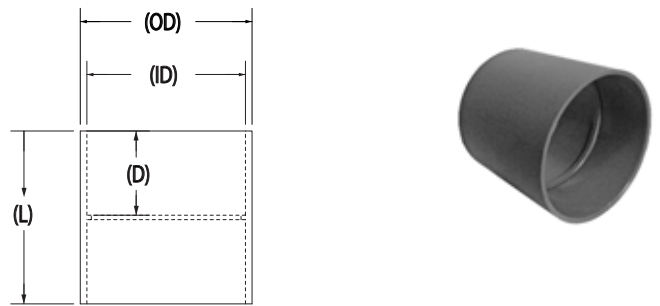
Dimensions are nominal



TC-6 Coupling with Center Stop - Molded

| Part Number | Trade Size | Carton Qty. | "OD" | "ID" | "D" | "L" |
|-------------|------------|-------------|-------|-------|-------|-------|
| 6121636 | 2 | 50 | 2.500 | 2.375 | 1.125 | 2.500 |
| 6121637 | 3 | 25 | 3.875 | 3.500 | 1.625 | 2.375 |
| 6121638 | 4 | 20 | 4.875 | 4.500 | 2.375 | 4.875 |
| 6121639 | 5 | 8 | 6.000 | 5.500 | 2.500 | 5.375 |
| 6121640 | 6 | 8 | 7.000 | 6.625 | 2.125 | 4.500 |

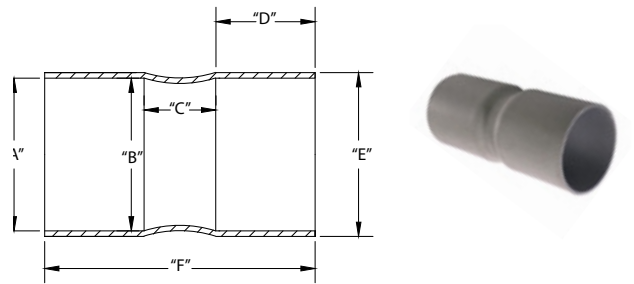
Dimensions are nominal



TC-6 Coupling with Center Stop - Fabricated

| Part Number | Trade Size | Carton Qty. | "A" | "B" | "C" | "D" | "E" | "F" |
|-------------|------------|-------------|-------|-------|-------|-------|-------|-------|
| 6121617 | 1-1/2 | 30 | 1.921 | 1.906 | .900 | 1.250 | 2.060 | 3.500 |
| 6121628 | 2 | 20 | 2.400 | 2.381 | .900 | 2.250 | 2.560 | 5.750 |
| 6121630 | 3 | 25 | 3.538 | 3.508 | .875 | 2.875 | 3.775 | 6.900 |
| 6121632 | 4 | 15 | 4.544 | 4.509 | .750 | 3.000 | 4.875 | 7.250 |
| 6121633 | 5 | 8 | 5.614 | 5.573 | 1.100 | 3.250 | 5.975 | 7.875 |
| 6121634 | 6 | 4 | 6.687 | 6.636 | 1.250 | 3.500 | 7.100 | 9.000 |

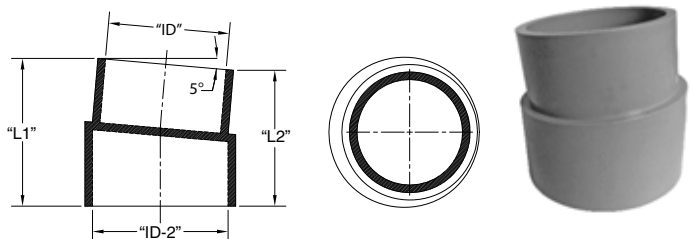
Dimensions are nominal



Schedule 40 5° Coupling Bell to Plain End - Molded

| Part Number | Trade Size | Carton Qty. | "L1" | "L2" | "ID" | "ID-2" |
|-------------|------------|-------------|-------|-------|-------|--------|
| 6141530 | 3 | 25 | 4.313 | 4.000 | 3.000 | 3.500 |
| 6141531 | 4 | 25 | 5.000 | 4.500 | 3.938 | 4.500 |

Dimensions are nominal

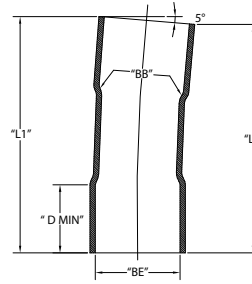


Fittings for Type EB & DB Duct

TC6 5° Coupling Bell to Bell End - Fabricated

| Part Number | Trade Size | Carton Qty. | "L1" | "L2" | "BE" | "BB" | "D" Min |
|-------------|------------|-------------|--------|--------|-------|-------|---------|
| 6151457 | 2 | 20 | 6.250 | 6.000 | 2.400 | 2.381 | 1.750 |
| 6151458 | 3 | 25 | 7.500 | 7.188 | 3.538 | 3.508 | 2.875 |
| 6151459 | 4 | 15 | 8.750 | 8.375 | 4.544 | 4.509 | 3.375 |
| 6151460 | 5 | 8 | 10.500 | 10.000 | 5.614 | 5.573 | 4.000 |
| 6151461 | 6 | 4 | 13.000 | 12.438 | 6.687 | 6.636 | 5.000 |

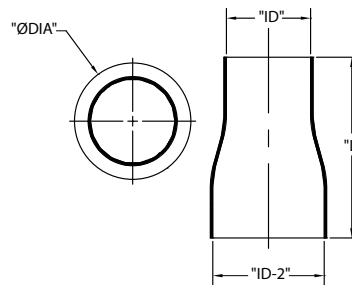
Dimensions are nominal



TC-6 Swedged Reducer - Bell to Plain End - Fabricated

| Part Number | Trade Size | Carton Qty. | "L" | "ID" | "ID-2" | "DIA" |
|-------------|------------|-------------|-------|-------|--------|-------|
| 5142210 | 3x2 | 25 | 7.250 | 2.250 | 3.563 | 3.688 |
| 5142211 | 5x4 | 8 | 9.250 | 4.188 | 5.563 | 5.813 |
| 5142209 | 6x5 | 4 | 9.250 | 5.250 | 6.625 | 6.938 |

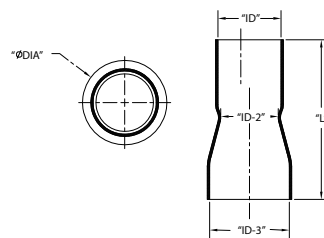
Dimensions are nominal



TC-6 Swedged Reducer - Bell to Bell End - Fabricated

| Part Number | Trade Size | Carton Qty. | "L" | "ID" | "ID-2" | "ID-3" | "DIA" |
|-------------|------------|-------------|-------|-------|--------|--------|-------|
| 5142212 | 4x3 | 15 | 9.000 | 3.563 | 3.250 | 4.500 | 4.750 |

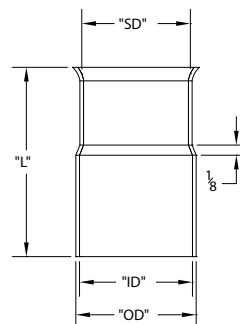
Dimensions are nominal



TC-6 End Bells - Fabricated

| Part Number | Trade Size | Carton Qty. | "L" | "ID" | "OD" | "SD" |
|-------------|------------|-------------|-------|-------|-------|-------|
| 5124010 | 2 | 40 | 6.00 | 2.375 | 2.500 | 2.125 |
| 5124012 | 3 | 50 | 6.125 | 3.500 | 3.750 | 3.375 |
| 5124014 | 4 | 50 | 6.125 | 4.500 | 4.875 | 4.000 |
| 5124015 | 5 | 25 | 7.125 | 5.500 | 5.875 | 5.125 |
| 5124017 | 6 | 15 | 7.000 | 6.625 | 7.000 | 6.000 |

Dimensions are nominal

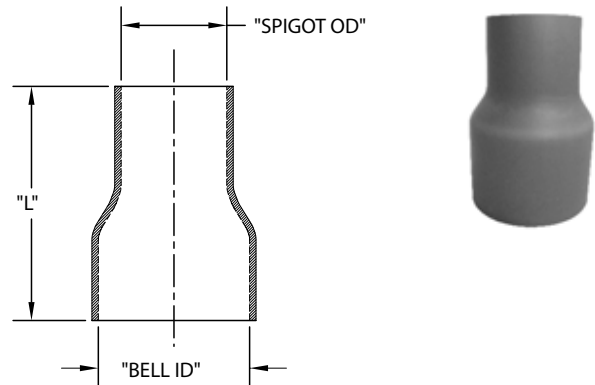


Fittings for Type EB & DB Duct

Schedule 40 Swaged Reducer - Bell to Plain End - Fabricated

| Part Number | Trade Size | Carton Qty. | "L" | SPIGOT "OD" | BELL "ID" |
|-------------|------------|-------------|--------|-------------|-----------|
| 5142102 | 2-1/2 x 2 | 20 | 6.625 | 2.375 | 2.890 |
| 5142104 | 3 x 2 | 25 | 6.688 | 2.375 | 3.515 |
| 5142105 | 3 x 2-1/2 | 25 | 7.313 | 2.875 | 3.515 |
| 5142107 | 5 x 4 | 8 | 11.375 | 4.500 | 5.593 |
| 5142108 | 4 x 2 | 10 | 7.375 | 2.375 | 4.515 |
| 5142109 | 4 x 3 | 15 | 7.813 | 3.500 | 4.515 |
| 5142107 | 5 x 4 | 8 | 11.313 | 4.500 | 6.658 |
| 5142203 | 6 x 5 | 4 | 11.188 | 5.563 | 6.658 |
| 5142204 | 8 x 6 | 2 | 11.250 | 6.625 | 8.670 |

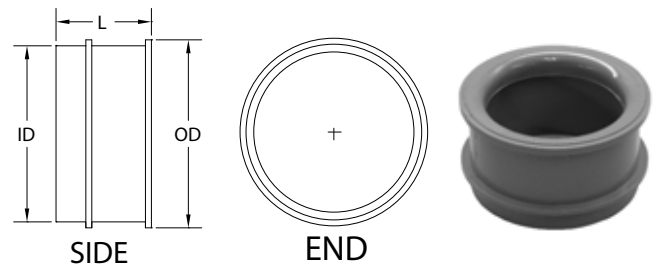
Dimensions are nominal



TC-6 End Bells - Molded

| Part Number | Trade Size | Carton Qty. | "L" | "ID" | "OD" |
|-------------|------------|-------------|-------|-------|-------|
| 5144101 | 1-1/2 | 50 | 1.550 | 2.120 | 2.510 |
| 5144102 | 2 | 40 | 1.580 | 2.600 | 2.870 |
| 5144104 | 3 | 50 | 2.000 | 3.70 | 4.000 |
| 5144106 | 4 | 50 | 2.330 | 4.750 | 5.100 |
| 5144108 | 5 | 25 | 2.500 | 5.930 | 6.300 |
| 5144110 | 6 | 15 | 2.820 | 6.900 | 7.320 |

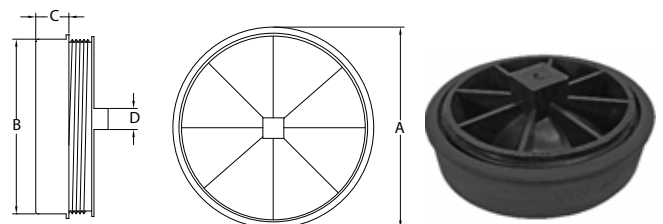
Dimensions are nominal



Stoppers

| Part Number | Trade Size | Carton Qty. | "A" | "B" | "C" | "D" |
|-------------|------------|-------------|-------|-------|-------|-------|
| 304C04B | 4 | 50 | 4.200 | 4.000 | 1.000 | 1.200 |
| 304D04B | 4-1/8 | 50 | 4.300 | 4.250 | 1.100 | 1.200 |
| 305C05B | 5 | 28 | 5.250 | 5.000 | 1.200 | 1.200 |
| 306C06B | 6 | 12 | 6.250 | 6.000 | 1.400 | 1.200 |

Dimensions are nominal

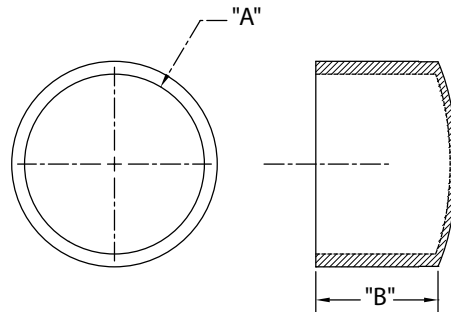


Fittings for Type EB & DB Duct

End Cap

| Part Number | Trade Size | Carton Qty. | "A" | "B" |
|-------------|------------|-------------|-------|-------|
| 5140031 | 1/2 | 100 | .875 | .875 |
| 5140032 | 3/4 | 100 | 1.063 | 1.063 |
| 5140033 | 1 | 50 | 1.375 | 1.250 |
| 5140034 | 1-1/4 | 25 | 1.688 | 1.313 |
| 5140035 | 1-1/2 | 25 | 1.938 | 1.563 |
| 5140037 | 2 | 50 | 2.375 | 1.625 |
| 5140038 | 2-1/2 | 25 | 2.875 | 2.000 |
| 5140039 | 3 | 25 | 3.563 | 2.375 |
| 5140036 | 3-1/2 | 25 | 4.000 | 2.313 |
| 5140040 | 4 | 25 | 4.500 | 2.375 |
| 5140041 | 5 | 25 | 5.563 | 2.500 |
| 5140042 | 6 | 10 | 6.625 | 3.000 |

Meets NEMA TC3 Requirements
Made of Rigid PVC



Dimensions are nominal



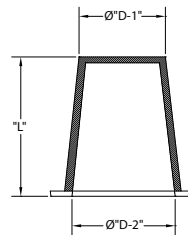
1/2" through 1-1/2"
have dome top



2" through 6" have
flat top

Poly Plug

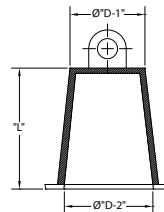
| Part Number | Trade Size | Carton Qty. | "L" | "D-1" | "D-2" |
|-------------|------------|-------------|-------|-------|-------|
| 5315248 | 2 | 70 | 3.250 | 1.875 | 2.438 |
| 5315250 | 3 | 70 | 3.813 | 2.625 | 3.438 |
| 5315252 | 4 | 90 | 4.063 | 3.688 | 4.438 |
| 5315253 | 5 | 45 | 3.813 | 4.750 | 5.500 |
| 5315254 | 6 | 30 | 3.813 | 5.563 | 6.500 |



Dimensions are nominal

Poly Plug with Pulling Eye

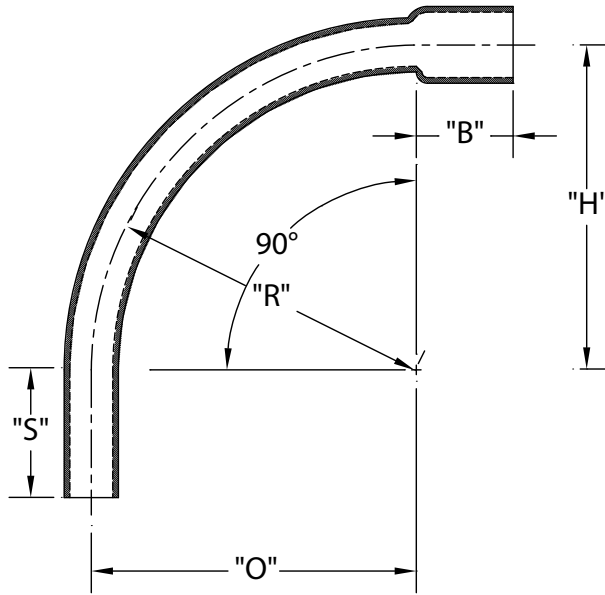
| Part Number | Trade Size | Carton Qty. | "L" | "D-1" | "D-2" |
|-------------|------------|-------------|-------|-------|-------|
| 5315258 | 2 | 70 | 3.000 | 2.000 | 2.500 |
| 5315260 | 3 | 45 | 3.750 | 2.875 | 3.500 |
| 5315262 | 4 | 80 | 3.875 | 3.750 | 4.500 |
| 5315263 | 5 | 45 | 3.750 | 4.875 | 5.625 |
| 5315264 | 6 | 35 | 3.875 | 5.625 | 6.875 |



Dimensions are nominal

Rigid Nonmetallic EB & DB Elbows - Special Radius

DBHM-60 90° Elbow for Type EB & DB Duct Special Radius - Bell End



DBHM-60 90° Elbow 36" Radius Bell End

| Part Number | Trade Size | "R" | "O" | "H" | "S" MIN | "B" MIN | "L" |
|-------------|------------|--------|--------|--------|---------|---------|--------|
| 5123868 | 2 | 36.000 | 36.000 | 36.000 | 2.000 | 2.000 | 56.500 |
| 5123872 | 3 | 36.000 | 36.000 | 36.000 | 3.125 | 2.500 | 56.500 |
| 5123876 | 4 | 36.000 | 36.000 | 36.000 | 3.375 | 3.250 | 56.500 |
| 5123880 | 5 | 36.000 | 36.000 | 36.000 | 3.625 | 4.250 | 56.500 |
| 5123884 | 6 | 36.000 | 36.000 | 36.000 | 3.750 | 5.000 | 56.500 |

Dimensions are nominal

DBHM-60 90° Elbow 48" Radius Bell End

| Part Number | Trade Size | "R" | "O" | "H" | "S" MIN | "B" MIN | "L" |
|-------------|------------|--------|--------|--------|---------|---------|--------|
| 5123865 | 2 | 48.000 | 48.000 | 48.000 | 2.000 | 2.000 | 75.375 |
| 5123869 | 3 | 48.000 | 48.000 | 48.000 | 3.125 | 2.500 | 75.375 |
| 5123877 | 4 | 48.000 | 48.000 | 48.000 | 3.375 | 3.250 | 75.375 |
| 5123881 | 5 | 48.000 | 48.000 | 48.000 | 3.625 | 4.250 | 75.375 |
| 5123894 | 6 | 48.000 | 48.000 | 48.000 | 3.750 | 5.000 | 75.375 |

Dimensions are nominal

DBHM-60 90° Elbow 18" Radius Bell End

| Part Number | Trade Size | "R" | "O" | "H" | "S" MIN | "B" MIN | "L" |
|-------------|------------|--------|--------|--------|---------|---------|--------|
| 5123866 | 2 | 18.000 | 18.000 | 18.000 | 2.000 | 2.000 | 28.250 |
| 5123870 | 3 | 18.000 | 18.000 | 18.000 | 3.125 | 2.500 | 28.250 |
| 5123874 | 4 | 18.000 | 18.000 | 18.000 | 3.375 | 3.250 | 28.250 |

Dimensions are nominal

DBHM-60 90° Elbow 24" Radius Bell End

| Part Number | Trade Size | "R" | "O" | "H" | "S" MIN | "B" MIN | "L" |
|-------------|------------|--------|--------|--------|---------|---------|--------|
| 5123867 | 2 | 24.000 | 24.000 | 24.000 | 2.000 | 2.000 | 37.688 |
| 5123871 | 3 | 24.000 | 24.000 | 24.000 | 3.125 | 2.500 | 37.688 |
| 5123875 | 4 | 24.000 | 24.000 | 24.000 | 3.375 | 3.250 | 37.688 |
| 5123879 | 5 | 24.000 | 24.000 | 24.000 | 3.625 | 4.250 | 37.688 |

Dimensions are nominal

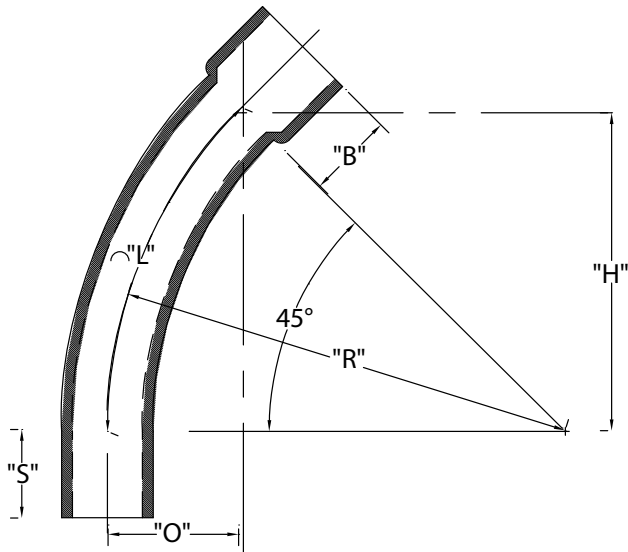
DBHM-60 90° Elbow 60" Radius Bell End

| Part Number | Trade Size | "R" | "O" | "H" | "S" MIN | "B" MIN | "L" |
|-------------|------------|--------|--------|--------|---------|---------|--------|
| 5123806 | 2 | 60.000 | 60.000 | 60.000 | 2.000 | 2.000 | 94.250 |
| 5123810 | 3 | 60.000 | 60.000 | 60.000 | 3.125 | 2.500 | 94.250 |
| 5123878 | 4 | 60.000 | 60.000 | 60.000 | 3.375 | 3.250 | 94.250 |
| 5123899 | 5 | 60.000 | 60.000 | 60.000 | 3.625 | 4.250 | 94.250 |
| 5123895 | 6 | 60.000 | 60.000 | 60.000 | 3.750 | 5.000 | 94.250 |

Dimensions are nominal

Rigid Nonmetallic EB & DB Elbows - Special Radius

DBHM-60 45° Elbow Special Radius - Bell End



DBHM-60 45° Elbow 36" Radius Bell End

| Part Number | Trade Size | "R" | "O" | "H" | "S" MIN | "B" MIN | "L" |
|-------------|------------|--------|-------|--------|---------|---------|--------|
| 5123768 | 2 | 36.000 | 4.813 | 18.000 | 2.000 | 2.000 | 18.875 |
| 5123772 | 3 | 36.000 | 4.813 | 18.000 | 3.125 | 2.500 | 18.875 |
| 5123776 | 4 | 36.000 | 4.813 | 18.000 | 3.375 | 3.250 | 18.875 |
| 5123780 | 5 | 36.000 | 4.813 | 18.000 | 3.625 | 4.250 | 18.875 |
| 5123784 | 6 | 36.000 | 4.813 | 18.000 | 3.750 | 5.000 | 18.875 |

Dimensions are nominal

DBHM-60 45° Elbow 48" Radius Bell End

| Part Number | Trade Size | "R" | "O" | "H" | "S" MIN | "B" MIN | "L" |
|-------------|------------|--------|-------|--------|---------|---------|--------|
| 5123769 | 2 | 48.000 | 6.438 | 24.000 | 2.000 | 2.000 | 25.125 |
| 5123745 | 3 | 48.000 | 6.438 | 24.000 | 3.125 | 2.500 | 25.125 |
| 5123779 | 4 | 48.000 | 6.438 | 24.000 | 3.375 | 3.250 | 25.125 |
| 5123781 | 5 | 48.000 | 6.438 | 24.000 | 3.625 | 4.250 | 25.125 |
| 5123794 | 6 | 48.000 | 6.438 | 24.000 | 3.750 | 5.000 | 25.125 |

Dimensions are nominal

DBHM-60 45° Elbow 18" Radius Bell End

| Part Number | Trade Size | "R" | "O" | "H" | "S" MIN | "B" MIN | "L" |
|-------------|------------|--------|-------|-------|---------|---------|-------|
| 5123766 | 2 | 18.000 | 2.438 | 9.063 | 2.000 | 2.000 | 9.438 |
| 5123803 | 3 | 18.000 | 2.438 | 9.063 | 3.125 | 2.500 | 9.438 |
| 5123807 | 4 | 18.000 | 2.438 | 9.063 | 3.375 | 3.250 | 9.438 |

Dimensions are nominal

DBHM-60 45° Elbow 24" Radius Bell End

| Part Number | Trade Size | "R" | "O" | "H" | "S" MIN | "B" MIN | "L" |
|-------------|------------|--------|-------|--------|---------|---------|--------|
| 5123767 | 2 | 24.000 | 3.188 | 12.000 | 2.000 | 2.000 | 12.563 |
| 5123771 | 3 | 24.000 | 3.188 | 12.000 | 3.125 | 2.500 | 12.563 |
| 5123775 | 4 | 24.000 | 3.188 | 12.000 | 3.375 | 3.250 | 12.563 |
| 5123789 | 5 | 24.000 | 3.188 | 12.000 | 3.625 | 4.250 | 12.563 |

Dimensions are nominal

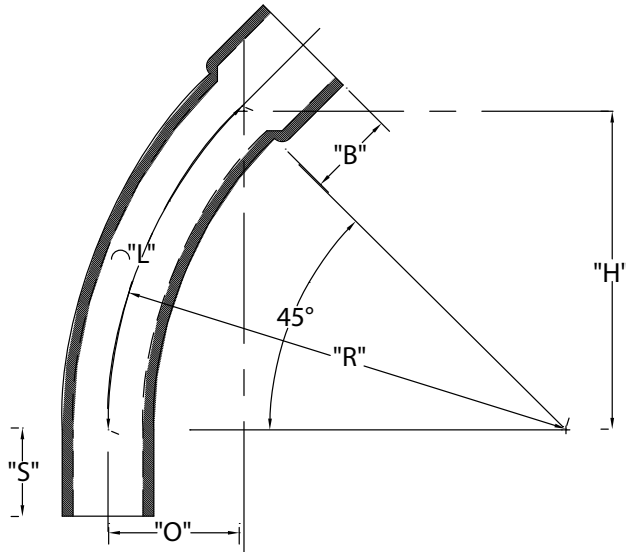
DBHM-60 45° Elbow 60" Radius Bell End

| Part Number | Trade Size | "R" | "O" | "H" | "S" MIN | "B" MIN | "L" |
|-------------|------------|--------|-------|--------|---------|---------|--------|
| 5123748 | 4 | 60.000 | 8.063 | 30.000 | 3.375 | 3.250 | 31.438 |
| 5123782 | 5 | 60.000 | 8.063 | 30.000 | 3.625 | 4.250 | 31.438 |
| 5123795 | 6 | 60.000 | 8.063 | 30.000 | 3.750 | 5.000 | 31.438 |

Dimensions are nominal

Rigid Nonmetallic EB & DB Elbows - Special Radius

DBHM-60 30° Elbow Special Radius - Bell End



DBHM-60 30° Elbow 18" Radius Bell End

| Part Number | Trade Size | "R" | "O" | "H" | "S" MIN | "B" MIN | "L" |
|-------------|------------|--------|-------|-------|---------|---------|-------|
| 5123785 | 2 | 18.000 | 2.438 | 9.063 | 2.000 | 2.000 | 9.438 |
| 5123757 | 3 | 18.000 | 2.438 | 9.063 | 3.125 | 2.500 | 9.438 |

Dimensions are nominal

DBHM-60 30° Elbow 24" Radius Bell End

| Part Number | Trade Size | "R" | "O" | "H" | "S" MIN | "B" MIN | "L" |
|-------------|------------|--------|-------|--------|---------|---------|--------|
| 5123799 | 2 | 24.000 | 3.188 | 12.000 | 2.000 | 2.000 | 12.563 |
| 5123802 | 3 | 24.000 | 3.188 | 12.000 | 3.125 | 2.500 | 12.563 |
| 5123712 | 4 | 24.000 | 3.188 | 12.000 | 3.375 | 3.250 | 12.563 |

Dimensions are nominal

DBHM-60 30° Elbow 36" Radius Bell End

| Part Number | Trade Size | "R" | "O" | "H" | "S" MIN | "B" MIN | "L" |
|-------------|------------|--------|-------|--------|---------|---------|--------|
| 5123770 | 2 | 36.000 | 4.813 | 18.000 | 2.000 | 2.000 | 18.875 |
| 5123759 | 3 | 36.000 | 4.813 | 18.000 | 3.125 | 2.500 | 18.875 |
| 5123760 | 4 | 36.000 | 4.813 | 18.000 | 3.375 | 3.250 | 18.875 |
| 5123761 | 5 | 36.000 | 4.813 | 18.000 | 3.625 | 4.250 | 18.875 |
| 5123918 | 6 | 36.000 | 4.813 | 18.000 | 3.750 | 5.000 | 18.875 |

Dimensions are nominal

DBHM-60 30° Elbow 48" Radius Bell End

| Part Number | Trade Size | "R" | "O" | "H" | "S" MIN | "B" MIN | "L" |
|-------------|------------|--------|-------|--------|---------|---------|--------|
| 5123950 | 2 | 48.000 | 6.438 | 24.000 | 2.000 | 2.000 | 25.125 |
| 5123951 | 3 | 48.000 | 6.438 | 24.000 | 3.125 | 2.500 | 25.125 |
| 5123919 | 4 | 48.000 | 6.438 | 24.000 | 3.375 | 3.250 | 25.125 |
| 5123959 | 5 | 48.000 | 6.438 | 24.000 | 3.625 | 4.250 | 25.125 |
| 5123920 | 6 | 48.000 | 6.438 | 24.000 | 3.750 | 5.000 | 25.125 |

Dimensions are nominal

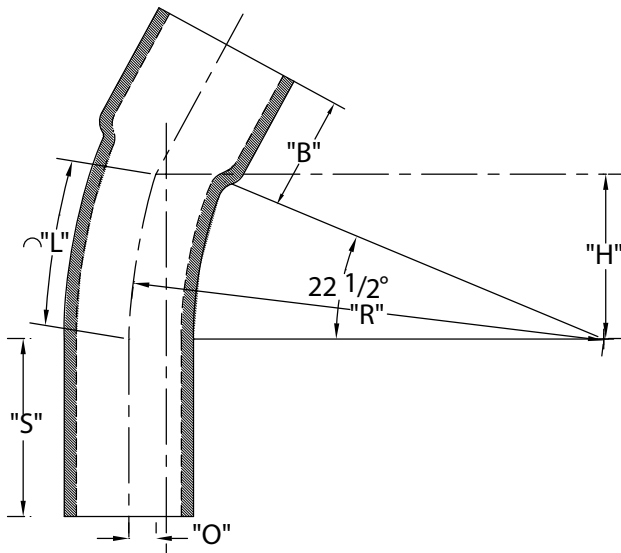
DBHM-60 30° Elbow 60" Radius Bell End

| Part Number | Trade Size | "R" | "O" | "H" | "S" MIN | "B" MIN | "L" |
|-------------|------------|--------|-------|--------|---------|---------|--------|
| 5123812 | 2 | 60.000 | 8.063 | 30.000 | 2.000 | 2.000 | 31.438 |
| 5123952 | 3 | 60.000 | 8.063 | 30.000 | 3.125 | 2.500 | 31.438 |
| 5123764 | 4 | 60.000 | 8.063 | 30.000 | 3.375 | 3.250 | 31.438 |
| 5123746 | 5 | 60.000 | 8.063 | 30.000 | 3.625 | 4.250 | 31.438 |
| 5123921 | 6 | 60.000 | 8.063 | 30.000 | 3.750 | 5.000 | 31.438 |

Dimensions are nominal

Rigid Nonmetallic EB & DB Elbows - Special Radius

DBHM-60 22-1/2° Elbow Special Radius - Bell End



DBHM-60 22-1/2° Elbow 36" Radius Bell End

| Part Number | Trade Size | "R" | "O" | "H" | "S" MIN | "B" MIN | "L" |
|-------------|------------|--------|-------|--------|---------|---------|--------|
| 5123800 | 2 | 36.000 | 2.750 | 13.750 | 2.000 | 2.000 | 14.125 |
| 5123755 | 3 | 36.000 | 2.750 | 13.750 | 3.125 | 2.500 | 14.125 |
| 5123750 | 4 | 36.000 | 2.750 | 13.750 | 3.375 | 3.250 | 14.125 |
| 5123751 | 5 | 36.000 | 2.750 | 13.750 | 3.625 | 4.250 | 14.125 |
| 5123730 | 6 | 36.000 | 2.750 | 13.750 | 3.750 | 5.000 | 14.125 |

Dimensions are nominal

DBHM-60 22-1/2° Elbow 48" Radius Bell End

| Part Number | Trade Size | "R" | "O" | "H" | "S" MIN | "B" MIN | "L" |
|-------------|------------|--------|-------|--------|---------|---------|--------|
| 5123811 | 2 | 48.000 | 3.625 | 18.375 | 2.000 | 2.000 | 18.875 |
| 5123946 | 3 | 48.000 | 3.625 | 18.375 | 3.125 | 2.500 | 18.875 |
| 5123738 | 4 | 48.000 | 3.625 | 18.375 | 3.375 | 3.250 | 18.875 |
| 5123739 | 5 | 48.000 | 3.625 | 18.375 | 3.625 | 4.250 | 18.875 |
| 5123931 | 6 | 48.000 | 3.625 | 18.375 | 3.750 | 5.000 | 18.875 |

Dimensions are nominal

DBHM-60 22-1/2° Elbow 18" Radius Bell End

| Part Number | Trade Size | "R" | "O" | "H" | "S" MIN | "B" MIN | "L" |
|-------------|------------|--------|-------|-------|---------|---------|-------|
| 5123940 | 2 | 18.000 | 1.375 | 6.875 | 2.000 | 2.000 | 7.063 |
| 5123945 | 3 | 18.000 | 1.375 | 6.875 | 3.125 | 2.500 | 7.063 |
| 5123740 | 4 | 18.000 | 1.375 | 6.875 | 3.375 | 3.250 | 7.063 |

Dimensions are nominal

DBHM-60 22-1/2° Elbow 24" Radius Bell End

| Part Number | Trade Size | "R" | "O" | "H" | "S" MIN | "B" MIN | "L" |
|-------------|------------|--------|-------|-------|---------|---------|-------|
| 5125831 | 1-1/2 | 24.000 | 1.813 | 9.188 | 2.000 | 2.000 | 9.438 |
| 5123744 | 2 | 24.000 | 1.813 | 9.188 | 2.000 | 2.000 | 9.438 |
| 5123801 | 3 | 24.000 | 1.813 | 9.188 | 3.125 | 2.500 | 9.438 |
| 5123753 | 4 | 24.000 | 1.813 | 9.188 | 3.375 | 3.250 | 9.438 |

Dimensions are nominal

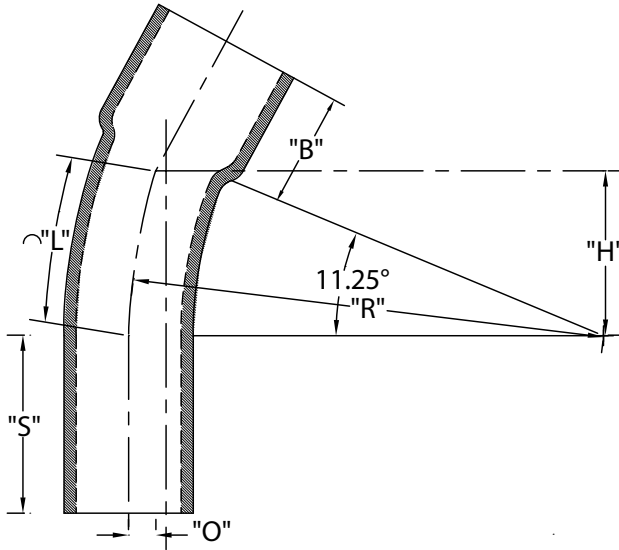
DBHM-60 22-1/2° Elbow 60" Radius Bell End

| Part Number | Trade Size | "R" | "O" | "H" | "S" MIN | "B" MIN | "L" |
|-------------|------------|--------|-------|--------|---------|---------|--------|
| 5123728 | 2 | 60.000 | 4.563 | 23.000 | 2.000 | 2.000 | 23.563 |
| 5123947 | 3 | 60.000 | 4.563 | 23.000 | 3.125 | 2.500 | 23.563 |
| 5123735 | 4 | 60.000 | 4.563 | 23.000 | 3.375 | 3.250 | 23.563 |
| 5123736 | 5 | 60.000 | 4.563 | 23.000 | 3.625 | 4.250 | 23.563 |
| 5123732 | 6 | 60.000 | 4.563 | 23.000 | 3.750 | 5.000 | 23.563 |

Dimensions are nominal

Rigid Nonmetallic EB & DB Elbows - Special Radius

DBHM-60 11-1/4° Elbow Special Radius - Bell End



DBHM-60 11-1/4° Elbow 36" Radius Bell End

| Part Number | Trade Size | "R" | "O" | "H" | "S" MIN | "B" MIN | "L" |
|-------------|------------|--------|------|-------|---------|---------|-------|
| 5123938 | 2 | 36.000 | .688 | 7.000 | 2.000 | 2.000 | 7.063 |
| 5123704 | 3 | 36.000 | .688 | 7.000 | 3.125 | 2.500 | 7.063 |
| 5123720 | 4 | 36.000 | .688 | 7.000 | 3.375 | 3.250 | 7.063 |
| 5123724 | 5 | 36.000 | .688 | 7.000 | 3.625 | 4.250 | 7.063 |
| 5123725 | 6 | 36.000 | .688 | 7.000 | 3.750 | 5.000 | 7.063 |

Dimensions are nominal

DBHM-60 11-1/4° Elbow 48" Radius Bell End

| Part Number | Trade Size | "R" | "O" | "H" | "S" MIN | "B" MIN | "L" |
|-------------|------------|--------|------|-------|---------|---------|-------|
| 5123937 | 4 | 48.000 | .938 | 9.375 | 3.375 | 3.250 | 9.438 |
| 5123722 | 5 | 48.000 | .938 | 9.375 | 3.625 | 4.250 | 9.438 |
| 5123932 | 6 | 48.000 | .938 | 9.375 | 3.750 | 5.000 | 9.438 |

Dimensions are nominal

DBHM-60 11-1/4° Elbow 24" Radius Bell End

| Part Number | Trade Size | "R" | "O" | "H" | "S" MIN | "B" MIN | "L" |
|-------------|------------|--------|------|------|---------|---------|-------|
| 5123711 | 3 | 24.000 | .469 | .688 | 3.375 | 2.500 | 4.719 |
| 5123700 | 4 | 24.000 | .469 | .688 | 3.125 | 3.250 | 4.719 |
| 5123729 | 5 | 24.000 | .469 | .688 | 3.625 | 4.250 | 4.719 |

Dimensions are nominal

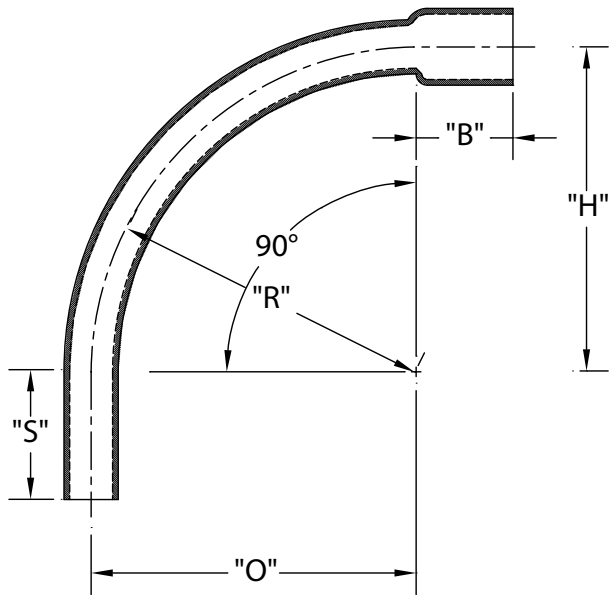
DBHM-60 11-1/4° Elbow 150" Radius Bell End

| Part Number | Trade Size | "R" | "O" | "H" | "S" MIN | "B" MIN | "L" |
|-------------|------------|---------|-------|--------|---------|---------|--------|
| 5123703 | 3 | 150.000 | 2.875 | 29.250 | 3.125 | 2.500 | 29.438 |
| 5123792 | 5 | 150.000 | 2.875 | 29.250 | 3.625 | 4.250 | 29.438 |
| 5123733 | 6 | 150.000 | 2.875 | 29.250 | 3.750 | 5.000 | 29.438 |

Dimensions are nominal

Rigid Nonmetallic EB & DB Elbows - Special Radius

DBHM-120 90° Elbow for Type EB & DB Duct Special Radius - Bell End



DBHM-120 90° Elbow 36" Radius Bell End

| Part Number | Trade Size | "R" | "O" | "H" | "S" MIN | "B" MIN | "L" |
|-------------|------------|--------|--------|--------|---------|---------|--------|
| 5123862 | 1-1/2 | 36.000 | 36.000 | 36.000 | 2.000 | 2.000 | 56.500 |
| 5125869 | 2 | 36.000 | 36.000 | 36.000 | 2.000 | 2.000 | 56.500 |
| 5125872 | 3 | 36.000 | 36.000 | 36.000 | 3.125 | 2.500 | 56.500 |
| 5125876 | 4 | 36.000 | 36.000 | 36.000 | 3.375 | 3.250 | 56.500 |
| 5125880 | 5 | 36.000 | 36.000 | 36.000 | 3.625 | 4.250 | 56.500 |
| 5125884 | 6 | 36.000 | 36.000 | 36.000 | 3.750 | 5.000 | 56.500 |

Dimensions are nominal

DBHM-120 90° Elbow 48" Radius Bell End

| Part Number | Trade Size | "R" | "O" | "H" | "S" MIN | "B" MIN | "L" |
|-------------|------------|--------|--------|--------|---------|---------|--------|
| 5123863 | 1-1/2 | 48.000 | 48.000 | 48.000 | 2.000 | 2.000 | 75.375 |
| 5125740 | 2 | 48.000 | 48.000 | 48.000 | 2.000 | 2.000 | 75.375 |
| 5125741 | 3 | 48.000 | 48.000 | 48.000 | 3.125 | 2.500 | 75.375 |
| 5125877 | 4 | 48.000 | 48.000 | 48.000 | 3.375 | 3.250 | 75.375 |
| 5125901 | 5 | 48.000 | 48.000 | 48.000 | 3.625 | 4.250 | 75.375 |
| 5125885 | 6 | 48.000 | 48.000 | 48.000 | 3.750 | 5.000 | 75.375 |

Dimensions are nominal

DBHM-120 90° Elbow 18" Radius Bell End

| Part Number | Trade Size | "R" | "O" | "H" | "S" MIN | "B" MIN | "L" |
|-------------|------------|--------|--------|--------|---------|---------|--------|
| 5123861 | 1-1/2 | 18.000 | 18.000 | 18.000 | 2.000 | 2.000 | 28.250 |
| 5125862 | 2 | 18.000 | 18.000 | 18.000 | 2.000 | 2.000 | 28.250 |
| 5125870 | 3 | 18.000 | 18.000 | 18.000 | 3.125 | 2.500 | 28.250 |
| 5125874 | 4 | 18.000 | 18.000 | 18.000 | 3.375 | 3.250 | 28.250 |

Dimensions are nominal

DBHM-120 90° Elbow 24" Radius Bell End

| Part Number | Trade Size | "R" | "O" | "H" | "S" MIN | "B" MIN | "L" |
|-------------|------------|--------|--------|--------|---------|---------|--------|
| 5125742 | 1-1/2 | 24.000 | 24.000 | 24.000 | 2.000 | 2.000 | 37.688 |
| 5125881 | 2 | 24.000 | 24.000 | 24.000 | 2.000 | 2.000 | 37.688 |
| 5125871 | 3 | 24.000 | 24.000 | 24.000 | 3.125 | 2.500 | 37.688 |
| 5125875 | 4 | 24.000 | 24.000 | 24.000 | 3.375 | 3.250 | 37.688 |
| 5125898 | 5 | 24.000 | 24.000 | 24.000 | 3.625 | 4.250 | 37.688 |

Dimensions are nominal

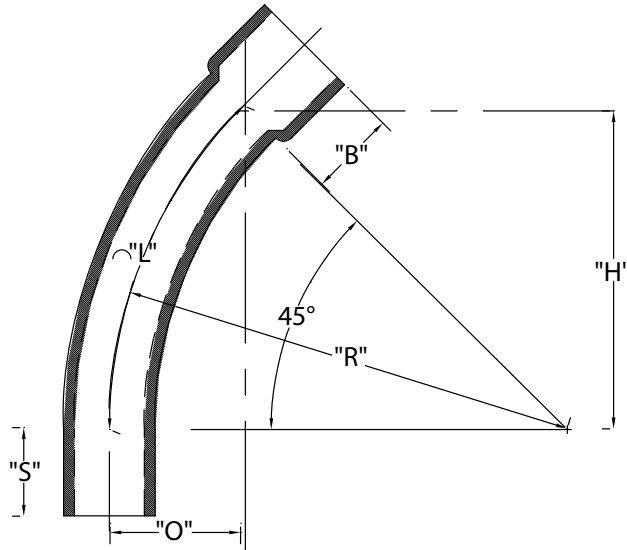
DBHM-120 90° Elbow 60" Radius Bell End

| Part Number | Trade Size | "R" | "O" | "H" | "S" MIN | "B" MIN | "L" |
|-------------|------------|--------|--------|--------|---------|---------|--------|
| 5125859 | 2 | 60.000 | 60.000 | 60.000 | 2.000 | 2.000 | 94.250 |
| 5125873 | 3 | 60.000 | 60.000 | 60.000 | 3.125 | 2.500 | 94.250 |
| 5125878 | 4 | 60.000 | 60.000 | 60.000 | 3.375 | 3.250 | 94.250 |
| 5125899 | 5 | 60.000 | 60.000 | 60.000 | 3.625 | 4.250 | 94.250 |
| 5125895 | 6 | 60.000 | 60.000 | 60.000 | 3.750 | 5.000 | 94.250 |

Dimensions are nominal

Rigid Nonmetallic EB & DB Elbows - Special Radius

DBHM-120 45° Elbow Special Radius - Bell End



DBHM-120 45° Elbow 36" Radius Bell End

| Part Number | Trade Size | "R" | "O" | "H" | "S" MIN | "B" MIN | "L" |
|-------------|------------|--------|-------|--------|---------|---------|--------|
| 5125736 | 1-1/2 | 36.000 | 4.813 | 18.000 | 2.000 | 2.000 | 18.875 |
| 5125879 | 2 | 36.000 | 4.813 | 18.000 | 2.000 | 2.000 | 18.875 |
| 5125772 | 3 | 36.000 | 4.813 | 18.000 | 3.125 | 2.500 | 18.875 |
| 5125776 | 4 | 36.000 | 4.813 | 18.000 | 3.375 | 3.250 | 18.875 |
| 5125781 | 5 | 36.000 | 4.813 | 18.000 | 3.625 | 4.250 | 18.875 |
| 5125784 | 6 | 36.000 | 4.813 | 18.000 | 3.750 | 5.000 | 18.875 |

Dimensions are nominal

DBHM-120 45° Elbow 48" Radius Bell End

| Part Number | Trade Size | "R" | "O" | "H" | "S" MIN | "B" MIN | "L" |
|-------------|------------|--------|-------|--------|---------|---------|--------|
| 5125769 | 2 | 48.000 | 6.438 | 24.000 | 2.000 | 2.000 | 25.125 |
| 5125737 | 3 | 48.000 | 6.438 | 24.000 | 3.125 | 2.500 | 25.125 |
| 5125744 | 4 | 48.000 | 6.438 | 24.000 | 3.375 | 3.250 | 25.125 |
| 5125783 | 5 | 48.000 | 6.438 | 24.000 | 3.625 | 4.250 | 25.125 |
| 5125796 | 6 | 48.000 | 6.438 | 24.000 | 3.750 | 5.000 | 25.125 |

Dimensions are nominal

DBHM-120 45° Elbow 18" Radius Bell End

| Part Number | Trade Size | "R" | "O" | "H" | "S" MIN | "B" MIN | "L" |
|-------------|------------|--------|-------|-------|---------|---------|-------|
| 5125746 | 2 | 18.000 | 2.438 | 9.063 | 2.000 | 2.000 | 9.438 |
| 5125747 | 3 | 18.000 | 2.438 | 9.063 | 3.125 | 2.500 | 9.438 |

Dimensions are nominal

DBHM-120 45° Elbow 24" Radius Bell End

| Part Number | Trade Size | "R" | "O" | "H" | "S" MIN | "B" MIN | "L" |
|-------------|------------|--------|-------|--------|---------|---------|--------|
| 5125815 | 1-1/2 | 24.000 | 3.188 | 12.000 | 2.000 | 2.000 | 12.563 |
| 5125767 | 2 | 24.000 | 3.188 | 12.000 | 2.000 | 2.000 | 12.563 |
| 5125774 | 3 | 24.000 | 3.188 | 12.000 | 3.125 | 2.500 | 12.563 |
| 5125753 | 4 | 24.000 | 3.188 | 12.000 | 3.375 | 3.250 | 12.563 |

Dimensions are nominal

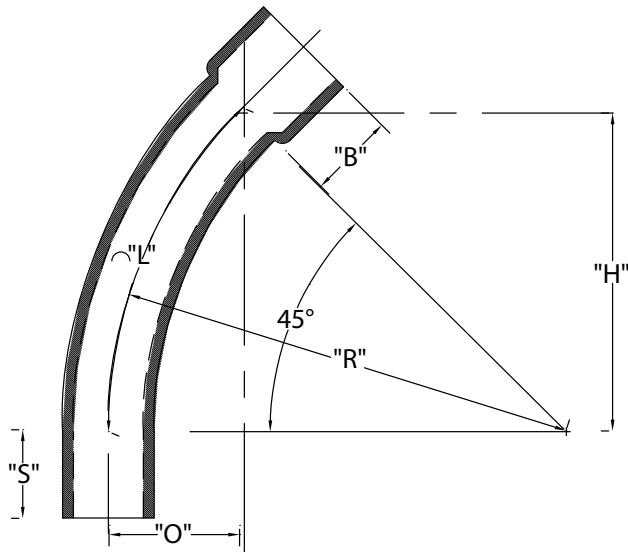
DBHM-120 45° Elbow 60" Radius Bell End

| Part Number | Trade Size | "R" | "O" | "H" | "S" MIN | "B" MIN | "L" |
|-------------|------------|--------|-------|--------|---------|---------|--------|
| 5125748 | 3 | 60.000 | 8.063 | 30.000 | 3.125 | 2.500 | 31.438 |
| 5125738 | 4 | 60.000 | 8.063 | 30.000 | 3.375 | 3.250 | 31.438 |
| 5125782 | 5 | 60.000 | 8.063 | 30.000 | 3.625 | 4.250 | 31.438 |
| 5125795 | 6 | 60.000 | 8.063 | 30.000 | 3.750 | 5.000 | 31.438 |

Dimensions are nominal

Rigid Nonmetallic EB & DB Elbows - Special Radius

DBHM-120 30° Elbow Special Radius - Bell End



DBHM-120 30° Elbow 36" Radius Bell End

| Part Number | Trade Size | "R" | "O" | "H" | "S" MIN | "B" MIN | "L" |
|-------------|------------|--------|-------|--------|---------|---------|--------|
| 5125842 | 1-1/2 | 36.000 | 4.813 | 18.000 | 2.000 | 2.000 | 18.875 |
| 5125754 | 3 | 36.000 | 4.813 | 18.000 | 3.125 | 2.500 | 18.875 |
| 5125761 | 4 | 36.000 | 4.813 | 18.000 | 3.375 | 3.250 | 18.875 |
| 5125792 | 5 | 36.000 | 4.813 | 18.000 | 3.625 | 4.250 | 18.875 |

Dimensions are nominal

DBHM-120 30° Elbow 48" Radius Bell End

| Part Number | Trade Size | "R" | "O" | "H" | "S" MIN | "B" MIN | "L" |
|-------------|------------|--------|-------|--------|---------|---------|--------|
| 5125762 | 4 | 48.000 | 6.438 | 24.000 | 3.375 | 3.250 | 25.125 |
| 5125813 | 6 | 48.000 | 6.438 | 24.000 | 3.750 | 5.000 | 25.125 |

Dimensions are nominal

DBHM-120 30° Elbow 18" Radius Bell End

| Part Number | Trade Size | "R" | "O" | "H" | "S" MIN | "B" MIN | "L" |
|-------------|------------|--------|-------|-------|---------|---------|-------|
| 5125751 | 2 | 18.000 | 2.438 | 9.063 | 2.000 | 2.000 | 9.438 |
| 5125841 | 3 | 18.000 | 2.438 | 9.063 | 3.125 | 2.500 | 9.438 |

Dimensions are nominal

DBHM-120 30° Elbow 24" Radius Bell End

| Part Number | Trade Size | "R" | "O" | "H" | "S" MIN | "B" MIN | "L" |
|-------------|------------|--------|-------|--------|---------|---------|--------|
| 5125818 | 5 | 24.000 | 3.188 | 12.000 | 2.000 | 4.250 | 12.563 |

Dimensions are nominal

DBHM-120 30° Elbow 60" Radius Bell End

| Part Number | Trade Size | "R" | "O" | "H" | "S" MIN | "B" MIN | "L" |
|-------------|------------|--------|-------|--------|---------|---------|--------|
| 5125819 | 4 | 60.000 | 8.063 | 30.000 | 3.375 | 3.250 | 31.438 |
| 5125803 | 5 | 60.000 | 8.063 | 30.000 | 3.625 | 4.250 | 31.438 |
| 5125816 | 6 | 60.000 | 8.063 | 30.000 | 3.750 | 5.000 | 31.438 |

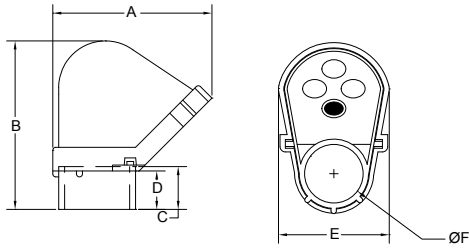
Dimensions are nominal

Service Entrance Caps, Meter Offsets, Risers and Spacers



Type EB/DB Accessories

Service Entrance Cap - 1/2" thru 1"

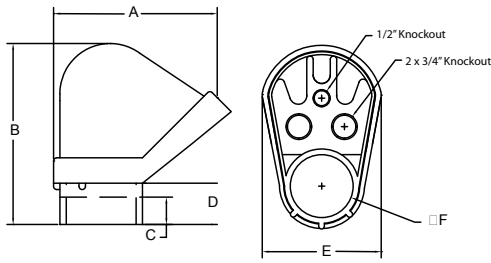


| Part Number | Trade Size | Carton Qty. | "A" | "B" | "C" | "D" | "E" | "ØF" |
|-------------|------------|-------------|-------|-------|-------|------|-------|-------|
| 5133590 | 1/2 | 10 | 2.875 | 2.875 | .750 | .625 | 2.188 | .852 |
| 5133591 | 3/4 | 10 | 2.875 | 2.875 | .875 | .438 | 2.125 | 1.064 |
| 5133741 | 1 | 20 | 3.313 | 3.625 | 1.000 | .750 | 2.375 | 1.330 |

Dimensions are nominal



Service Entrance Cap - 1-1/4" thru 2"

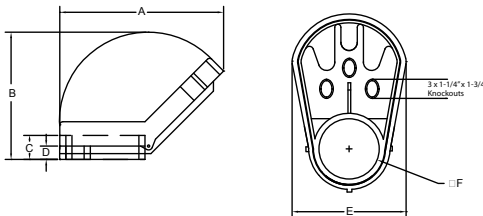


| Part Number | Trade Size | Carton Qty. | "A" | "B" | "C" | "D" | "E" | "ØF" |
|-------------|------------|-------------|-------|-------|-------|-------|-------|-------|
| 5133742 | 1-1/4 | 20 | 5.000 | 5.000 | 1.250 | 1.375 | 3.313 | 1.667 |
| 5133695 | 1-1/2 | 20 | 6.500 | 6.500 | 1.750 | 2.000 | 4.250 | 1.918 |
| 5133743 | 2 | 5 | 6.500 | 6.500 | 1.750 | 2.000 | 4.250 | 2.393 |

Dimensions are nominal



Service Entrance Cap - 2-1/2" thru 3"

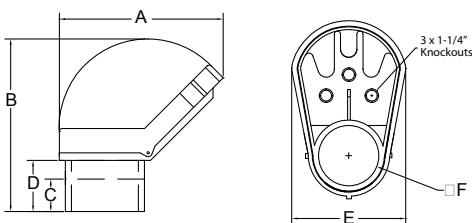


| Part Number | Trade Size | Carton Qty. | "A" | "B" | "C" | "D" | "E" | "ØF" |
|-------------|------------|-------------|--------|-------|-------|-------|-------|-------|
| 5133696 | 2-1/2 | 5 | 15.000 | 8.250 | 1.875 | 1.000 | 8.250 | 2.890 |
| 5133697 | 3 | 5 | 12.250 | 9.375 | 1.750 | 1.000 | 8.250 | 3.515 |

Dimensions are nominal



Service Entrance Cap - 3-1/2" thru 4"



| Part Number | Trade Size | Carton Qty. | "A" | "B" | "C" | "D" | "E" | "ØF" |
|-------------|------------|-------------|--------|--------|-------|-------|--------|-------|
| 5133698 | 3-1/2 | 5 | 12.500 | 11.000 | 2.000 | 3.125 | 8.000 | 4.015 |
| 5133699 | 4 | 1 | 16.000 | 11.000 | 2.750 | 2.500 | 10.250 | 4.515 |

Dimensions are nominal



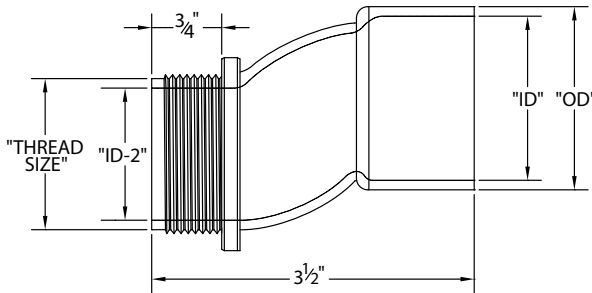
Type EB/DB Accessories

Meter Offset

| Part Number | Trade Size | Carton Qty. | Thread Size | "ID" | "ID-2" | "OD" |
|-------------|------------|-------------|-------------|-------|--------|-------|
| 5133183 | 1-1/4 | 15 | 1.625 | 1.625 | 1.375 | 2.000 |
| 5133185 | 2 | 8 | 2.313 | 2.375 | 2.000 | 2.188 |

Dimensions are nominal

Used to connect a conduit to a meter box. The offset is needed to move the path of the conduit away from a wall into the holes in a box or meter box.



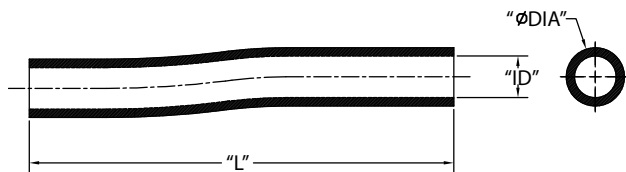
Conduit Offset

| Part Number | Trade Size | Carton Qty. | "L" | "ID" | "DIA" |
|-------------|------------|-------------|-------|------|-------|
| 5133188 | 1/2 | 25 | 6.375 | .625 | .875 |
| 5133189 | 3/4 | 25 | 6.375 | .750 | 1.063 |

Dimensions are nominal

Plain end section of conduit formed to go around obstacles or compensate for centerline differences in two conduits.

Made from listed Conduit.



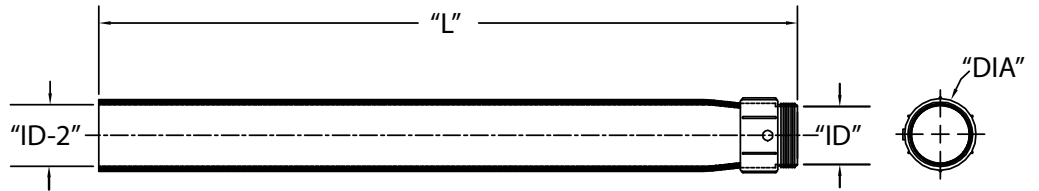
Type EB/DB Accessories

Fabricated Expansion Joint (Meter Riser)

Assembled from ETL listed product.
Material is Rigid PVC

| Part Number | Trade Size | Carton Qty. | "L" | "ID" | "ID-2" | "DIA" |
|-------------|------------|-------------|--------|-------|--------|-------|
| 5144028 | 2 | 16 | 26.625 | 2.000 | 2.375 | 2.750 |
| 5144030 | 2-1/2 | 12 | 23.688 | 2.375 | 2.875 | 3.375 |
| 5144043 | 3 | 12 | 24.000 | 3.000 | 3.500 | 4.000 |

Dimensions are nominal



Fabricated Expansion Joint (Meter Riser)

CANTEX PVC Schedule 40 and 80 Service Risers provide permanent protection for underground services where they emerge from the ground to enter structures or enclosures.

Formed from ETL Listed **CANTEX** PVC Schedule 40 and 80 conduit, these risers are resistant to impact, will not corrode and eliminate shock hazards.

Their use assures compliance with Article 300-5 of the National Electrical Code.

INCLUDES TERMINAL (MALE) ADAPTER CEMENTED AT TOP END.

7' Lengths

Rated for 90° Cable

Schedule 40

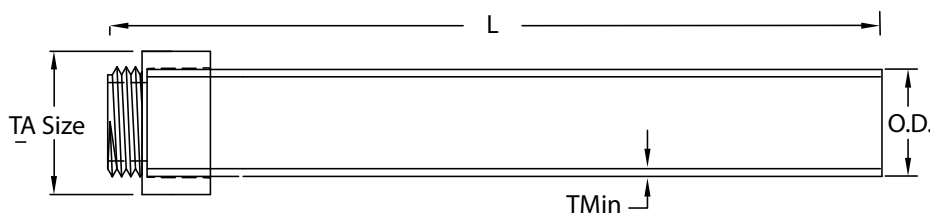
| Part Number | Trade Size | Carton Qty. | "OD" (Nom) | "T" (Min) | TA Trade Size | "L" |
|-------------|------------|-------------|------------|-----------|---------------|-----|
| 5133726 | 2 | 140 | 2.375 | .154 | 2.000 | 140 |
| 5133728 | 2-1/2 | 135 | 2.875 | .203 | 2.500 | 140 |
| 5133730 | 3 | 81 | 3.500 | .216 | 3.000 | 140 |
| 5136008 | 4 | 51 | 4.500 | .237 | 4.000 | 140 |

Dimensions are nominal

Schedule 80

| Part Number | Trade Size | Carton Qty. | "OD" (Nom) | "T" (Min) | TA Trade Size | "L" |
|-------------|------------|-------------|------------|-----------|---------------|-----|
| 5133729 | 2 | 140 | 2.375 | .218 | 2.000 | 140 |
| 5133731 | 3 | 81 | 3.500 | .300 | 3.000 | 140 |
| 5133732 | 4 | 51 | 4.500 | .337 | 4.000 | 140 |

Dimensions are nominal



Type EB/DB Accessories

Schedule 40 & 80 Service Riser with 45° Bend, Bell End

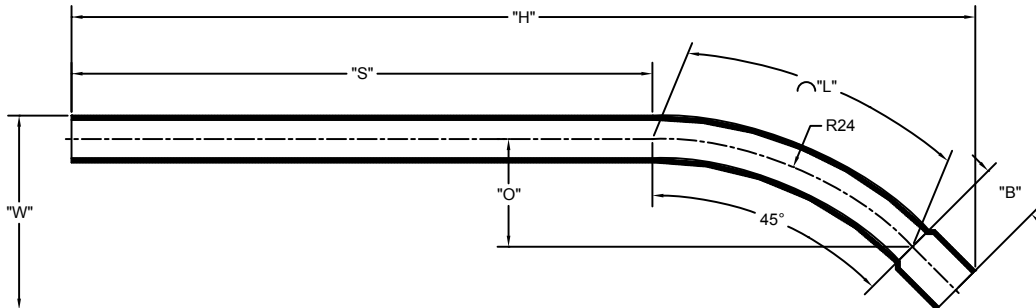
CANTEX PVC Schedule 40 and DB-120 Service Risers with a 40° bend provide permanent protection for underground services where they emerge from the ground. The 45° bend eliminates the cost, time and labor to install a separate elbow. Formed from ETL Listed **CANTEX** Schedule 40 and DB-120 conduit that are resistant and UV light, their use assures compliance with Article 300-5 of the National Electrical Code.

| Part Number | Size | Description | Carton Qty. | "R" | "O" | "S" | "B" Min. | "L" | "H" | "W" |
|-------------|------|--------------------------|-------------|-------|------|-------|----------|-------|-------|-------|
| 5283768 | 2 | Sch. 40 45° Hockey Stick | 1 | 24.00 | 7.00 | 38.00 | 2.00 | 19.00 | 60.00 | 14.00 |

Dimensions are nominal

| Part Number | Size | Description | Carton Qty. | "R" | "O" | "S" | "B" Min. | "L" | "H" | "W" |
|-------------|-------|--|-------------|-------|------|-------|----------|-------|-------|-------|
| 5122030 | 2 | Sch. 80 45° x 24" Radius w/60" Riser | 1 | 24.00 | 7.00 | 38.00 | 2.00 | 19.00 | 60.00 | 14.00 |
| 5222035 | 2-1/2 | Sch. 80 45° x 24" Radius w/63.5" Riser | 1 | 24.00 | 7.00 | 38.00 | 2.50 | 19.00 | 60.00 | 14.00 |
| 5122032 | 3 | Sch. 80 45° x 24" Radius w/60" Riser | 1 | 24.00 | 7.00 | 38.00 | 3.00 | 19.00 | 60.00 | 14.00 |
| 5122039 | 4 | Sch. 80 45° x 24" Radius w/60" Riser | 1 | 24.00 | 7.00 | 38.00 | 4.00 | 19.00 | 60.00 | 14.00 |
| 5122037 | 2-1/2 | Sch. 80 45° x 24" Radius w/80" Riser | 1 | 24.00 | 7.00 | 58.00 | 4.00 | 19.00 | 80.00 | 14.00 |
| 5122033 | 3 | Sch. 80 45° x 24" Radius w/80" Riser | 1 | 24.00 | 7.00 | 58.00 | 4.00 | 19.00 | 80.00 | 14.00 |
| 5122038 | 4 | Sch. 80 45° x 24" Radius w/80" Riser | 1 | 24.00 | 7.00 | 58.00 | 4.00 | 19.00 | 80.00 | 14.00 |

Dimensions are nominal

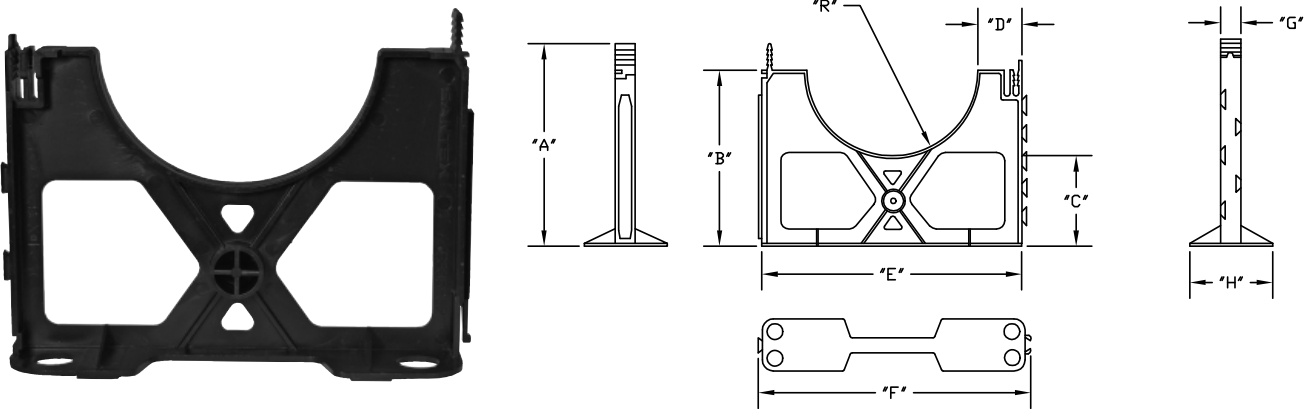


DBHM-120 Service Riser with 45° Bend, Bell End

Formed of DBHM-120 CONDUIT. Use allows installation to meet requirements of NEC(2011) Article 300.50. Not for exposed applications.

| Part Number | Size | Description | Carton Qty. |
|-------------|------|------------------------|-------------|
| 5283766 | 1 | DB120 45° x 24" Radius | 1 |

Base Spacers



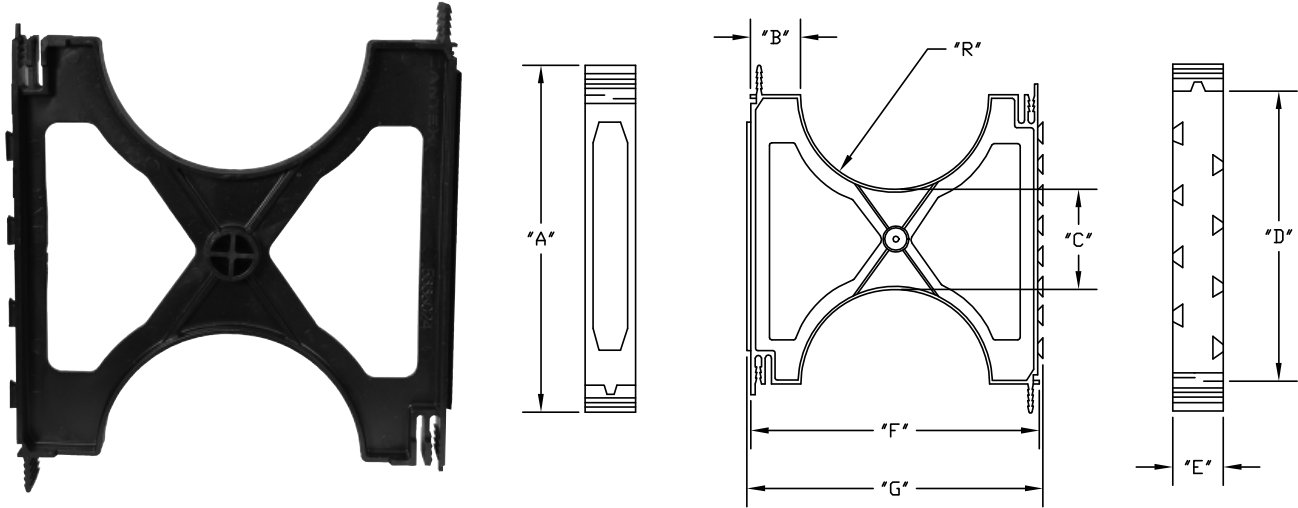
Material is Polystyrene

| Part Number | Size | Carton Qty. | "A" | "B" | "C" | "D" | "E" | "F" | "G" | "H" | "R" |
|-------------|-----------|-------------|-------|-------|-------|-------|-------|--------|-------|-------|-------|
| 5335961 | 2 x 1-1/2 | 100 | 4.875 | 4.250 | 3.000 | .750 | 4.000 | 4.250 | 1.000 | 3.000 | 1.250 |
| 5335977 | 2 x 2 | 100 | 4.875 | 4.250 | 3.000 | 1.000 | 4.500 | 4.750 | 1.000 | 3.000 | 1.250 |
| 5335979 | 2 x 3 | 100 | 4.875 | 4.250 | 3.000 | 1.500 | 5.500 | 5.750 | 1.000 | 3.000 | 1.250 |
| 5335963 | 3 x 1-1/2 | 90 | 5.500 | 4.750 | 3.000 | .750 | 5.125 | 5.375 | 1.000 | 3.000 | 1.813 |
| 5335964 | 3 x 2 | 80 | 5.500 | 4.750 | 3.000 | 1.000 | 5.625 | 5.875 | 1.000 | 3.000 | 1.813 |
| 5335975 | 3 x 3 | 70 | 5.500 | 4.750 | 3.000 | 1.150 | 6.625 | 6.875 | 1.000 | 3.000 | 1.813 |
| 5335971 | 4 x 1 | 80 | 5.938 | 5.250 | 3.000 | .500 | 5.625 | 5.875 | 1.000 | 3.000 | 2.313 |
| 5335968 | 4 x 1-1/2 | 75 | 5.938 | 5.313 | 3.000 | .750 | 6.125 | 6.375 | 1.000 | 3.000 | 2.313 |
| 5335967 | 4 x 2 | 70 | 5.938 | 5.313 | 3.000 | 1.000 | 6.625 | 6.875 | 1.000 | 3.000 | 2.313 |
| 5335969 | 4 x 3 | 65 | 5.938 | 5.250 | 3.000 | 1.500 | 7.625 | 7.875 | 1.000 | 3.000 | 2.313 |
| 5335980 | 5 x 1-1/2 | 60 | 6.500 | 5.813 | 3.000 | .750 | 7.813 | 7.438 | 1.000 | 3.000 | 2.875 |
| 5335976 | 5 x 2 | 60 | 6.500 | 5.813 | 3.000 | 1.000 | 7.688 | 7.938 | 1.000 | 3.000 | 2.875 |
| 5335978 | 5 x 3 | 50 | 6.500 | 5.813 | 3.000 | 1.500 | 8.688 | 8.938 | 1.000 | 3.000 | 2.875 |
| 5336039 | 6 x 1-1/2 | 50 | 7.000 | 6.375 | 3.000 | .750 | 8.250 | 8.500 | 1.000 | 3.000 | 3.375 |
| 5336051 | 6 x 2 | 50 | 7.000 | 6.375 | 3.000 | 1.000 | 8.750 | 9.000 | 1.000 | 3.000 | 3.375 |
| 5336040 | 6 x 3 | 50 | 7.000 | 6.375 | 3.000 | 1.500 | 9.750 | 10.000 | 1.000 | 3.000 | 3.375 |

Dimensions are nominal

Type EB/DB Accessories

Intermediate Spacers



Material is Polystyrene

| Part Number | Size | Carton Qty. | "A" | "B" | "C" | "D" | "E" | "F" | "G" | "R" |
|-------------|-----------|-------------|--------|-------|-------|-------|-------|-------|--------|-------|
| 5336000 | 2 x 1-1/2 | 200 | 5.188 | .750 | 1.375 | 3.875 | 1.000 | 4.000 | 4.250 | 1.250 |
| 5336018 | 2 x 2 | 170 | 5.688 | 1.000 | 1.875 | 4.375 | 1.000 | 4.500 | 4.750 | 1.250 |
| 5336032 | 2 x 3 | 110 | 6.688 | 1.500 | 2.875 | 5.375 | 1.000 | 5.500 | 5.750 | 1.250 |
| 5336016 | 3 x 1-1/2 | 140 | 6.313 | .750 | 1.375 | 5.000 | 1.000 | 5.125 | 5.375 | 1.250 |
| 5336020 | 3 x 2 | 110 | 6.750 | 1.000 | 1.875 | 5.438 | 1.000 | 5.625 | 5.875 | 1.813 |
| 5336031 | 3 x 3 | 75 | 7.813 | 1.500 | 2.875 | 6.500 | 1.000 | 6.625 | 6.875 | 1.250 |
| 5336017 | 4 x 1 | 105 | 7.000 | .500 | 1.125 | 5.750 | 1.000 | 5.625 | 5.875 | 2.313 |
| 5336021 | 4 x 1-1/2 | 100 | 7.313 | .750 | 1.375 | 6.000 | 1.000 | 6.125 | 6.375 | 2.313 |
| 5336019 | 4 x 2 | 80 | 7.813 | 1.000 | 1.875 | 6.500 | 1.000 | 6.625 | 6.875 | 2.313 |
| 5336024 | 4 x 3 | 55 | 8.813 | 1.500 | 2.875 | 7.500 | 1.000 | 7.625 | 7.875 | 2.313 |
| 5336028 | 5 x 1-1/2 | 75 | 8.375 | .750 | 1.375 | 7.000 | 1.000 | 7.188 | 7.438 | 2.875 |
| 5336029 | 5 x 2 | 55 | 8.875 | 1.000 | 1.875 | 7.500 | 1.000 | 7.688 | 7.938 | 2.875 |
| 5336030 | 5 x 3 | 45 | 9.875 | 1.500 | 2.875 | 8.500 | 1.000 | 8.688 | 8.938 | 2.875 |
| 5336038 | 6 x 1-1/2 | 50 | 9.438 | .750 | 1.500 | 8.125 | 1.000 | 8.250 | 8.500 | 3.375 |
| 5336050 | 6 x 2 | 45 | 9.938 | 1.000 | 2.000 | 8.625 | 1.000 | 8.750 | 9.000 | 3.375 |
| 5336041 | 6 x 3 | 40 | 10.938 | 1.500 | 3.000 | 9.625 | 1.000 | 9.750 | 10.000 | 3.375 |

Dimensions are nominal

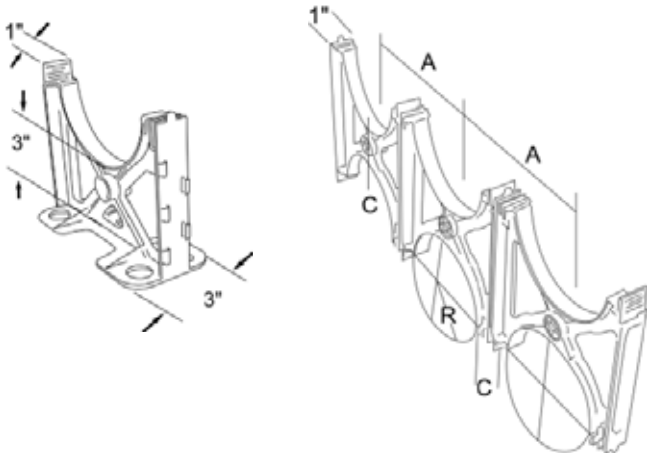
Plastic Spacers for Duct

Vertical and Horizontal Interlocking
For completely enclosed and locked-in duct banks

- They snap together vertically for fast, secure field assembly.
- Only two components, base and intermediate, are needed. Banding is not necessary.
- With the Vertical-Lock spacer, ducts are accurately separated. Spacers lock firmly together, preventing separation while workmen walk atop the bank.
- Alignment of the duct bank sections is relatively easy with this completely locked-in construction.
- To prevent the top tier from floating during encased burial, it is suggested that an intermediate spacer be used as a cap.
- Used in both EB and DB installations.
- Vertical and horizontal interlocking permits building a strong, locked-in duct bank. A wide baseplate provides solid support for heaviest loads.

| Nominal Size | 1" Separation | | | 1-1/2" Separation | | | 2" Separation | | | 3 Separation | | |
|--------------|---------------|-----|-----|-------------------|-----|-----|---------------|-----|-----|--------------|-----|-----|
| | R | A | C | R | A | C | R | A | C | R | A | C |
| 2 | | | | 1.2 | 4.0 | 1.5 | 1.2 | 4.5 | 2.0 | 1.2 | 5.5 | 3.0 |
| 3 | | | | 1.8 | 5.1 | 1.5 | 1.8 | 5.6 | 2.0 | 1.8 | 6.6 | 3.0 |
| 4 | 2.3 | 5.6 | 1.0 | 2.3 | 6.1 | 1.5 | 2.3 | 6.6 | 2.0 | 2.3 | 7.6 | 3.0 |
| 5 | | | | 2.9 | 7.3 | 1.5 | 2.9 | 7.9 | 2.0 | 2.9 | 8.9 | 3.0 |
| 6 | | | | 3.3 | 8.2 | 1.5 | 3.4 | 8.7 | 2.0 | 3.4 | 9.8 | 3.0 |

Base spacers provide a 3" separation between bottom row of ducts & trench floor, except for 4" x 1" which is 1-3/4".



Conduit, Utility Duct and P&C Flexible Duct



Rigid Nonmetallic Schedule 40 Conduit

Meets specifications of UL 651 and NEMA TC2
 Rated for 90°C Cable
 Sunlight Resistant
 10' Lengths

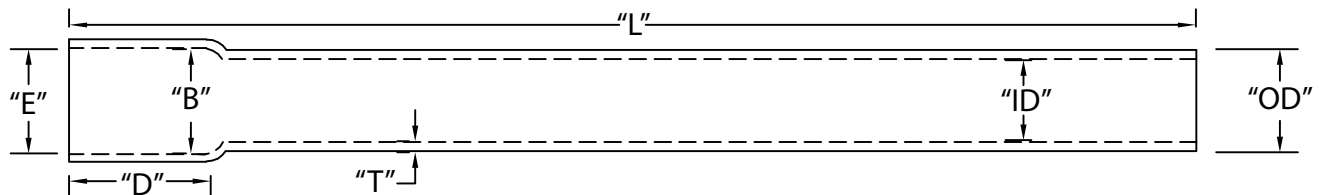


Nonmetallic PVC Schedule 40 Conduit Belled End - 10' Lengths

| Part No. | Size | Feet per Pack | T Min | OD | ID Min | E | B | D Nom | L Min |
|----------|-------|---------------|-------|-------|--------|-------|-------|-------|-------|
| A52AE12 | 1/2 | 6,000 | .109 | .840 | .578 | .852 | .836 | 1.500 | 120 |
| A52AE12H | 1/2 | 3,000 | .109 | .840 | .578 | .852 | .836 | 1.500 | 120 |
| A52AG12 | 3/4 | 4,400 | .113 | 1.050 | .780 | 1.064 | 1.046 | 1.750 | 120 |
| A52AG12H | 3/4 | 2,200 | .113 | 1.050 | .780 | 1.064 | 1.046 | 1.750 | 120 |
| A52BA12 | 1 | 3,600 | .133 | 1.315 | 1.004 | 1.330 | 1.310 | 2.000 | 120 |
| A52BA12H | 1 | 1,800 | .133 | 1.315 | 1.004 | 1.330 | 1.310 | 2.000 | 120 |
| A52BC12 | 1-1/4 | 3,300 | .140 | 1.660 | 1.335 | 1.677 | 1.655 | 2.250 | 120 |
| A52BC12H | 1-1/4 | 1,650 | .140 | 1.660 | 1.335 | 1.677 | 1.655 | 2.250 | 120 |
| A52BE12 | 1-1/2 | 2,250 | .145 | 1.900 | 1.564 | 1.918 | 1.894 | 2.500 | 120 |
| A52BE12H | 1-1/2 | 900 | .145 | 1.900 | 1.564 | 1.918 | 1.894 | 2.500 | 120 |
| A52CA12 | 2 | 1,400 | .154 | 2.375 | 2.021 | 2.393 | 2.369 | 3.000 | 120 |
| A52CE12 | 2-1/2 | 930 | .203 | 2.875 | 2.414 | 2.890 | 2.868 | 3.250 | 120 |
| A52DA12 | 3 | 880 | .216 | 3.500 | 3.008 | 3.515 | 3.492 | 3.750 | 120 |
| A52DE12 | 3-1/2 | 630 | .226 | 4.000 | 3.486 | 4.015 | 3.992 | 4.000 | 120 |
| A52EA12 | 4 | 570 | .237 | 4.500 | 3.961 | 4.515 | 4.491 | 4.500 | 120 |
| A52FA12 | 5 | 380 | .258 | 5.563 | 4.975 | 5.593 | 5.553 | 5.500 | 120 |
| A52GA12 | 6 | 260 | .280 | 6.625 | 5.986 | 6.658 | 6.614 | 6.125 | 120 |
| A52JA12* | 8 | 180 | .322 | 8.625 | 7.853 | 8.670 | 8.610 | 6.375 | 120 |

* Not ETL Listed

Dimensions are nominal

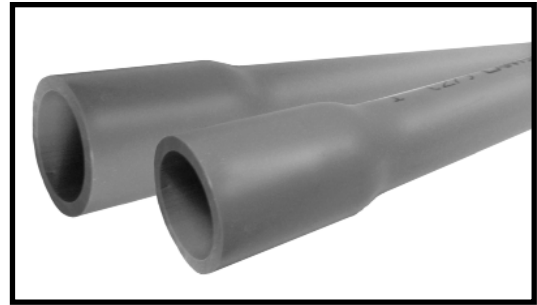


Note: 20' length available on request

Schedule 40 conduit complies with federal and military specifications by conforming to UL 651

Rigid Nonmetallic Schedule 80 Conduit

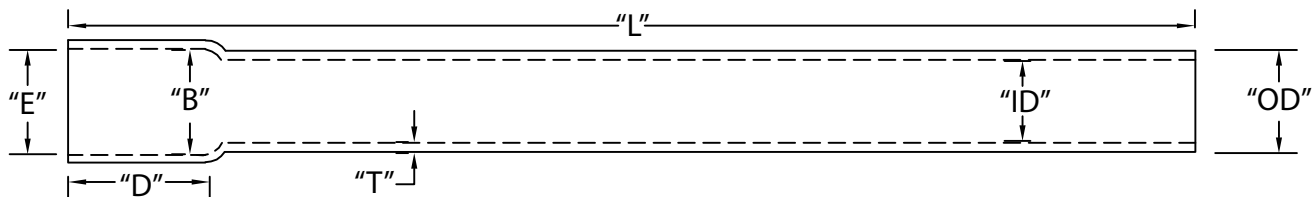
Meets specifications of UL 651 and NEMA TC2
 Rated for 90°C Cable
 Sunlight Resistant
 10' Lengths



Nonmetallic PVC Schedule 80 Conduit Belled End - 10' Lengths

| Part No. | Size | Feet per Pack | T Min | OD | ID Min | E | B | D Nom | L Min |
|----------|-------|---------------|-------|-------|--------|-------|-------|-------|-------|
| A53AE12 | 1/2 | 6,000 | .147 | .840 | .502 | .852 | .836 | 1.500 | 120 |
| A53AE12H | 1/2 | 3,000 | .147 | .840 | .502 | .852 | .836 | 1.500 | 120 |
| A53AG12 | 3/4 | 4,400 | .154 | 1.050 | .698 | 1.064 | 1.046 | 1.750 | 120 |
| A53AG12H | 3/4 | 2,200 | .154 | 1.050 | .698 | 1.064 | 1.046 | 1.750 | 120 |
| A53BA12 | 1 | 3,600 | .179 | 1.315 | .910 | 1.330 | 1.310 | 2.000 | 120 |
| A53BA12H | 1 | 1,800 | .179 | 1.315 | .910 | 1.330 | 1.310 | 2.000 | 120 |
| A53BC12 | 1-1/4 | 3,300 | .191 | 1.660 | 1.227 | 1.677 | 1.655 | 2.250 | 120 |
| A53BC12H | 1-1/4 | 1,650 | .191 | 1.660 | 1.227 | 1.677 | 1.655 | 2.250 | 120 |
| A53BE12 | 1-1/2 | 2,250 | .200 | 1.900 | 1.446 | 1.918 | 1.894 | 2.500 | 120 |
| A53BE12H | 1-1/2 | 900 | .200 | 1.900 | 1.446 | 1.918 | 1.894 | 2.500 | 120 |
| A53CA12 | 2 | 1,400 | .218 | 2.375 | 1.881 | 2.393 | 2.369 | 3.000 | 120 |
| A53CE12 | 2-1/2 | 930 | .276 | 2.875 | 2.250 | 2.890 | 2.868 | 3.250 | 120 |
| A53DA12 | 3 | 880 | .300 | 3.500 | 2.820 | 3.515 | 3.492 | 3.750 | 120 |
| A53EA12 | 4 | 570 | .337 | 4.500 | 3.737 | 4.515 | 4.491 | 4.500 | 120 |
| A53FA12 | 5 | 380 | .375 | 5.563 | 4.713 | 5.593 | 5.553 | 5.500 | 120 |
| A53GA12 | 6 | 260 | .432 | 6.625 | 5.646 | 6.658 | 6.614 | 6.125 | 120 |

Dimensions are nominal



Note: 20' length available on request
 Schedule 80 conduit complies with federal and military specifications by conforming to UL 651

Rigid Nonmetallic Cellular Core PVC Conduit & Utility Duct

Meets UL 651 specifications - Not ETL Listed
 Meets NEMA TC2 requirements
 Sunlight Resistant
 20' Lengths



Schedule 40 Forte-Duct® Conduit Belled End - 20' Lengths

| Part No. | Size | Feet per Pack | T Min | OD | E | B | D Min | L Min |
|----------|-------|---------------|-------|-------|-------|-------|-------|-------|
| A60CA42 | 2 | 2,800 | .154 | 2.375 | 2.393 | 2.369 | 3.000 | 240 |
| A60CE42 | 2-1/2 | 1,860 | .203 | 2.875 | 2.890 | 2.868 | 3.250 | 240 |
| A60DA42 | 3 | 1,760 | .216 | 3.500 | 3.515 | 3.492 | 3.750 | 240 |
| A60EA42 | 4 | 1,140 | .237 | 4.500 | 4.515 | 4.491 | 4.500 | 240 |
| A60FA42 | 5 | 760 | .258 | 5.563 | 5.593 | 5.553 | 5.500 | 240 |
| A60GA42 | 6 | 520 | .280 | 6.625 | 6.658 | 6.614 | 6.125 | 240 |

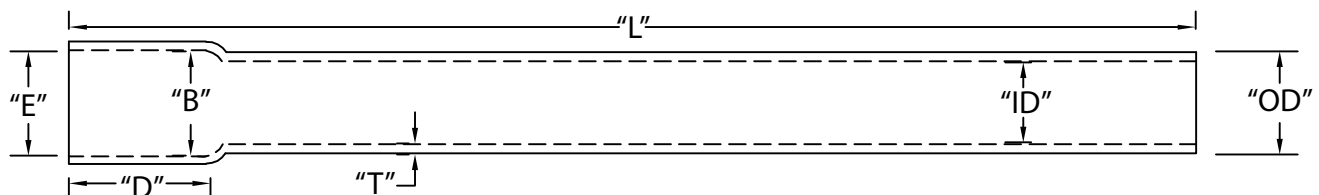
Note: 10' length available on request

Dimensions are nominal

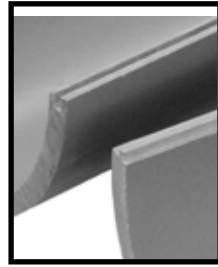
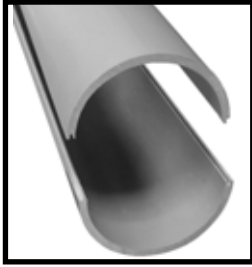
DBHM-120 Forte-Duct® Conduit Belled End - 20' Lengths

| Part No. | Size | Feet per Pack | T Min | OD | E | B | D Min | L Min |
|----------|------|---------------|-------|-------|-------|-------|-------|-------|
| A59EA42 | 4 | 1,140 | .154 | 4.500 | 4.544 | 4.509 | 3.375 | 240 |
| A59GA42 | 6 | 520 | .227 | 6.625 | 6.687 | 6.636 | 5.000 | 240 |

Dimensions are nominal



Rigid Nonmetallic Schedule 40 Split Duct and Utility Duct



Enables repair of damaged conduit in existing installations with no cutting and splicing of cables.

This product is not UL Listed
Dimensions conform to UL 651 Specification

Schedule 40 Split Duct - 10' Lengths

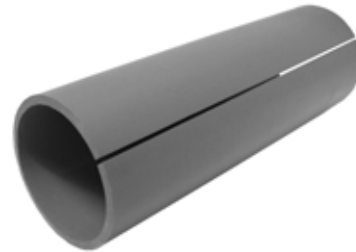
| Part No. | Size | Feet per Pack | A Min | B Min | C Min | D Min | E Min | F Min | G Min |
|----------|------|---------------|-----------------|-------|-------|-------|-------|-------|-------|
| A52DAZS | 3 | 500 | 3.500 ± .008 | 3.008 | .216 | .125 | .080 | .125 | .074 |
| A52EAZS | 4 | 290 | 4.500 ± .074 | 3.961 | .237 | .125 | .080 | .125 | .074 |

Dimensions are nominal

Schedule 40 Split Sleeve Coupling (Fabricated)

| Part No. | Size | Package Qty. | "DIA" | "A" |
|----------|------|--------------|-------|--------|
| 6141684 | 2 | 25 | 2.375 | 6.125 |
| 6141685 | 3 | 25 | 3.500 | 6.188 |
| 6141690 | 4 | 15 | 4.563 | 6.250 |
| 6141692 | 5 | 8 | 5.625 | 8.875 |
| 6141693 | 6 | 4 | 6.563 | 10.125 |

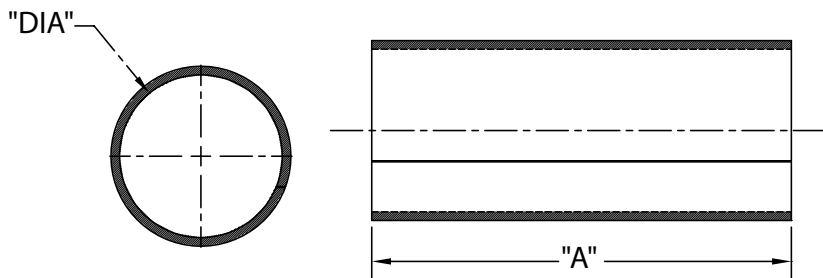
Dimensions are nominal



DBHM-60 Split Sleeve Coupling (Fabricated)

| Part No. | Size | Package Qty. | "DIA" | "A" |
|----------|------|--------------|-------|-------|
| 6151783 | 2 | 20 | 2.375 | 6.063 |
| 6151784 | 3 | 25 | 3.500 | 6.750 |
| 6151785 | 4 | 15 | 4.500 | 6.375 |
| 6151786 | 5 | 8 | 5.563 | 8.750 |
| 6151787 | 6 | 4 | 6.625 | 9.750 |

Dimensions are nominal



Rigid Nonmetallic PVC Utility Duct 500,000 PSI Modulus

Conforms to NEMA TC6 and ASTM F-512 requirements
 Rated for 90°C Cable
 20' Lengths

Type DBHM-60 (For Direct Burial) - 20' Lengths, Bell End

| Part No. | Size | Feet per Pack | "T" Min | "OD" | "E" | "B" | "D" Min. | "L" Min. |
|----------|------|---------------|---------|-------|-------|-------|----------|----------|
| A79CA42 | 2 | 2,800 | .060 | 2.375 | 2.400 | 2.381 | 1.750 | 240 |
| A79DA42 | 3 | 1,760 | .092 | 3.500 | 3.538 | 3.508 | 2.875 | 240 |
| A79EA42 | 4 | 1,140 | .121 | 4.500 | 4.544 | 4.509 | 3.375 | 240 |
| A79FA42 | 5 | 760 | .152 | 5.563 | 5.614 | 5.573 | 4.000 | 240 |
| A79GA42 | 6 | 520 | .182 | 6.625 | 6.687 | 6.636 | 5.00 | 240 |

Dimensions are nominal

Type EBHM-20 (For Encasement Burial) - 20' Lengths, Bell End



| Part No. | Size | Feet per Pack | "T" Min | "OD" | "E" | "B" | "D" Min. | "L" Min. |
|----------|------|---------------|---------|-------|-------|-------|----------|----------|
| A77CA42 | 2 | 2,800 | .060 | 2.387 | 2.396 | 2.378 | 1.750 | 240 |
| A77DA42 | 3 | 1,760 | .061 | 3.500 | 3.529 | 3.503 | 2.875 | 240 |
| A77EA42 | 4 | 1,140 | .082 | 4.500 | 4.533 | 4.502 | 3.375 | 240 |
| A77FA42 | 5 | 760 | .103 | 5.563 | 5.601 | 5.562 | 4.000 | 240 |
| A77GA42 | 6 | 520 | .125 | 6.625 | 6.669 | 6.627 | 5.000 | 240 |

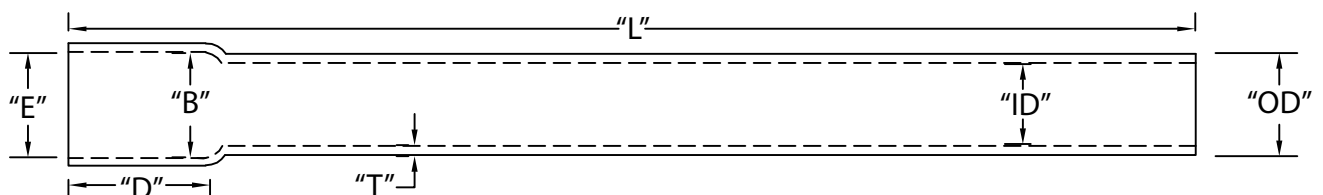
Dimensions are nominal

Type EB complies with federal and military specifications by conforming to UL 651

Type DBHM-100 (For Direct Burial) - 20' Lengths, Bell End

| Part No. | Size | Feet per Pack | "T" Min | "OD" | "E" | "B" | "D" Min. | "L" Min. |
|----------|------|---------------|---------|-------|-------|-------|----------|----------|
| A72DA42 | 3 | 1,760 | .112 | 3.500 | 3.538 | 3.508 | 2.875 | 240 |
| A72EA42 | 4 | 1,140 | .145 | 4.500 | 4.544 | 4.509 | 3.375 | 240 |
| A72FA42 | 5 | 760 | .179 | 5.563 | 5.614 | 5.573 | 4.000 | 240 |
| A72GA42 | 6 | 520 | .213 | 6.625 | 6.687 | 6.636 | 5.000 | 240 |

Dimensions are nominal



Rigid Nonmetallic Utility Duct

Conforms to NEMA TC8 and ASTM F-512 requirements
 Rated for 90°C Cable
 20' Lengths

Type DBHM-120 (For Direct Burial) - 20' Lengths, Bell End

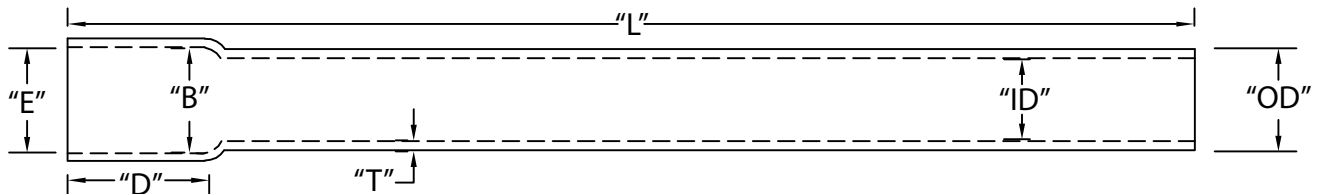
| Part No. | Size | Feet per Pack | "T" Min | "OD" | "E" | "B" | "D" Min. | "L" Min. |
|----------|-------|---------------|---------|-------|-------|-------|----------|----------|
| A55BA42 | 1 | 7,200 | .060 | 1.315 | 1.331 | 1.320 | 1.000 | 240 |
| A55BE42 | 1-1/2 | 4,500 | .060 | 1.900 | 1.921 | 1.906 | 1.375 | 240 |
| A55CA42 | 2 | 2,800 | .077 | 2.375 | 2.400 | 2.381 | 1.750 | 240 |
| A55DA42 | 3 | 1,760 | .118 | 3.500 | 3.538 | 3.508 | 2.875 | 240 |
| A55EA42 | 4 | 1,140 | .154 | 4.500 | 4.544 | 4.509 | 3.375 | 240 |
| A55FA42 | 5 | 760 | .191 | 5.563 | 5.614 | 5.573 | 4.000 | 240 |
| A55GA42 | 6 | 520 | .227 | 6.625 | 6.687 | 6.636 | 5.000 | 240 |

Dimensions are nominal

Type EBHM-35 (For Encasement Burial) - 20' Lengths, Bell End

| Part No. | Size | Feet per Pack | "T" Min | "OD" | "E" | "B" | "D" Min. | "L" Min. |
|----------|------|---------------|---------|-------|-------|-------|----------|----------|
| A57EA42 | 4 | 1,140 | .082 | 4.500 | 4.533 | 4.502 | 3.375 | 240 |
| A57FA42 | 5 | 760 | .103 | 5.563 | 5.601 | 5.565 | 4.000 | 240 |
| A57GA42 | 6 | 520 | .125 | 6.625 | 6.669 | 6.627 | 5.000 | 240 |

Dimensions are nominal



Corrugated Power & Communication Duct

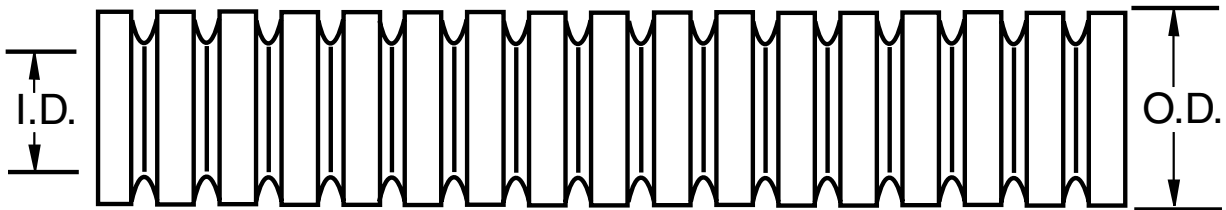
P&C Flexible Utility Duct



| Part No. | Size | O.D. (Nom) | I.D. (Nom) | Approx. Wt/Ft | Feet per Spool |
|----------|------|------------|------------|---------------|----------------|
| A90CAG1 | 2 | 2.375 | 2.045 | .260 | 250 |
| A90DAG1 | 3 | 3.500 | 3.068 | .540 | 250 |
| A90EAG1 | 4 | 4.500 | 4.026 | .740 | 250 |

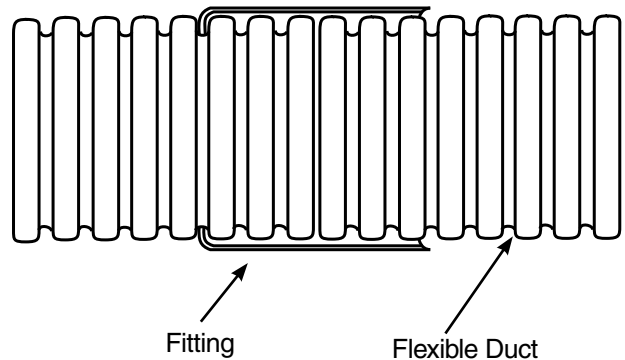
Dimensions are nominal

Meets NEMA TC-12 Standards
 For Non-UL Applications
 Uses standard Schedule 40 Fittings



INSTALLATION INSTRUCTIONS

1. Clean both ends of duct to be joined.
2. Trim ends square to ensure a secure joint.
3. Using standard solvent cement, apply a full, even coat of cement to outside of flexible duct to the depth of fitting to be joined to the duct.
4. Apply a light coat of cement to the inside of the fitting.
5. Slide fitting over the end of the duct twisting slightly to be sure fittings fully seated.



Conduit #99 Low VOC Cement



| Part Number | Size | Weight | Carton Qty. |
|-------------|----------|--------|-------------|
| 7210601 | 1/2 Pint | .595 | 24 |
| 7210602 | Pint | 1.093 | 12 |
| 7210603 | Quart | 2.110 | 12 |
| 7210605 | Gallon | 8.207 | 6 |



Flexible Electrical Nonmetallic Tubing and Accessories



EZ-Flex® Electrical Nonmetallic Tubing

Meets specifications: NEMA TC-13 and NEC Article 362 and UL 1653
Suitable for use with 90°C conductors.

- **CANTEX EZ-FLEX®** ENT is a high performance lower cost alternative to electrical metallic tubing. Non-conductive and corrosion resistant.
- EZ-FLEX® not only costs less than metal tubing but installation time is dramatically reduced, saving expensive labor cost.
- Corrugated design allows bending by hand, eliminating the necessity of bending equipment and special tools. Reduced inner surface area cuts down on drag so that wire pulling is accomplished easier and faster.
- UL Listed EZ-FLEX® is used in circuits of 600 volts or less. Minimum installation temperature is -4°F (-20°C) and maximum ambient temperature is 122°F (50°C). EZ-FLEX® is made in electric blue color for easy identification.

EZ-FLEX® Straight 10' Lengths



| Part No. | Size | Feet per Pack | O.D. (Nom) | | I.D. (Nom) | | Approx. Wt/Ft |
|----------|------|---------------|------------|-------|------------|-------|---------------|
| | | | Min. | Max. | Min. | Max. | |
| A51AE11 | 1/2 | 3,600 | .832 | .848 | .574 | .630 | .100 |
| A51AG11 | 3/4 | 4,000 | 1.040 | 1.060 | .744 | .834 | .137 |
| A51BA11 | 1 | 2,400 | 1.305 | 1.325 | .999 | 1.059 | .178 |

Dimensions are nominal

EZ-FLEX® Coils



| Part No. | Size | Feet per Coil | O.D. (Nom) | | I.D. (Nom) | | Approx. Wt/Ft |
|----------|------|---------------|------------|-------|------------|-------|---------------|
| | | | Min. | Max. | Min. | Max. | |
| A51AEB1 | 1/2 | 200 | .832 | .848 | .574 | .630 | .100 |
| A51AGA1 | 3/4 | 100 | 1.040 | 1.060 | .744 | .834 | .137 |
| A51BAA1 | 1 | 100 | 1.305 | 1.325 | .999 | 1.059 | .178 |

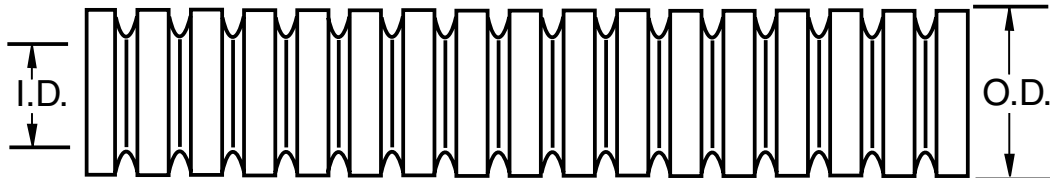
Dimensions are nominal

EZ-FLEX® Reels



| Part No. | Size | Feet per Pack | O.D. (Nom) | | I.D. (Nom) | | Approx. Wt/Ft |
|----------|------|---------------|------------|-------|------------|-------|---------------|
| | | | Min. | Max. | Min. | Max. | |
| A51AEQ1 | 1/2 | 1,500 | .832 | .848 | .574 | .630 | .100 |
| A51AEK1 | 1/2 | 5,000 | .832 | .848 | .574 | .630 | .100 |
| A51AGJ1 | 3/4 | 1,000 | 1.040 | 1.060 | .744 | .834 | .137 |
| A51BAJ1 | 1 | 1,000 | 1.305 | 1.325 | .999 | 1.059 | .178 |

Dimensions are nominal



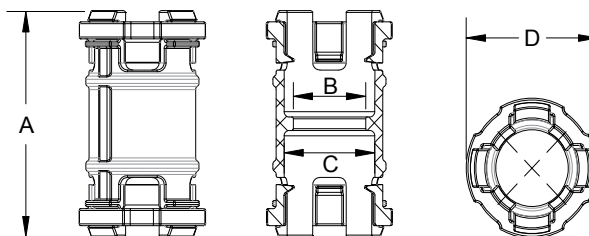
Electrical Nonmetallic Accessories

ENT Coupling



| Part No. | Size | Carton Qty. | A | B | C | D |
|----------|------|-------------|-------|-------|-------|-------|
| 5163380 | 1/2 | 200 | 2.000 | .700 | .850 | 1.235 |
| 5163381 | 3/4 | 200 | 1.957 | .894 | 1.057 | 1.529 |
| 5163382 | 1 | 100 | 2.127 | 1.123 | 1.325 | 1.793 |

Dimensions are nominal

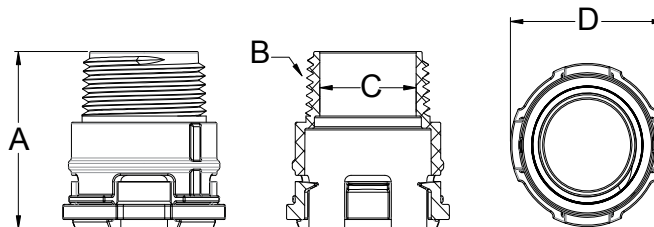


ENT Male Adapter - Threaded



| Part No. | Size | Carton Qty. | A | B | C | D |
|----------|------|-------------|-------|------------|-------|-------|
| 5163415 | 1/2 | 200 | 1.620 | 14 NPT | .600 | 1.235 |
| 5163416 | 3/4 | 200 | 1.548 | 14 NPT | .797 | 1.529 |
| 5163417 | 1 | 100 | 1.763 | 11-1/2 NPT | 1.010 | 1.793 |

Dimensions are nominal

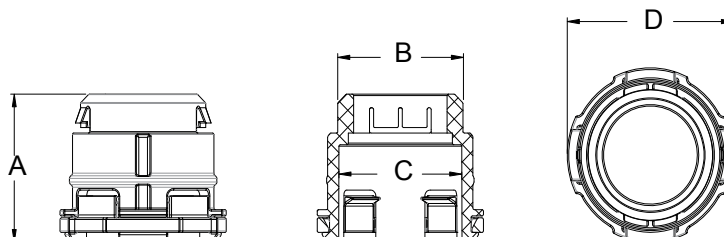


ENT Male Adapter - Snap In



| Part No. | Size | Carton Qty. | A | B | C | D |
|----------|------|-------------|-------|-------|-------|-------|
| 5163405 | 1/2 | 200 | 1.460 | .963 | .850 | 1.235 |
| 5163406 | 3/4 | 200 | 1.438 | 1.185 | 1.057 | 1.529 |
| 5163407 | 1 | 100 | 1.523 | 1.455 | 1.325 | 1.793 |

Dimensions are nominal

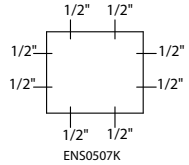
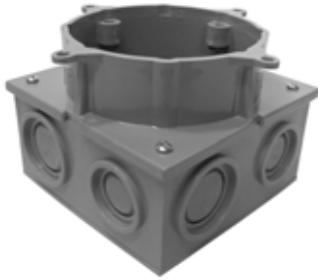


Electrical Nonmetallic Accessories

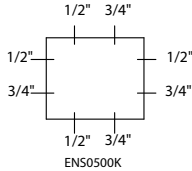
ENT Slab Box with Knockouts

| Part No. | Connectors | Carton Qty. | "A" | "B" | "C" | "D" | "E" | "F" | "G" | "H" | "J" | "H" |
|----------|---------------------|-------------|-------|-------|-------|-------|-------|-------|-------|-------|-------|------|
| ENS0507K | 4 x 1/2" - 4 x 3/4" | 25 | 4.530 | 2.250 | 4.530 | 2.250 | 3.444 | 1.340 | 2.125 | 3.590 | 1.063 | .125 |
| ENS050K | 8 x 1/2" | 25 | 4.530 | 2.250 | 4.530 | 2.250 | 3.444 | 1.340 | 2.125 | 3.590 | 1.063 | .125 |

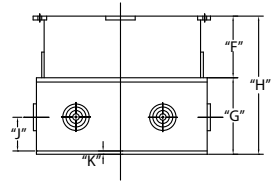
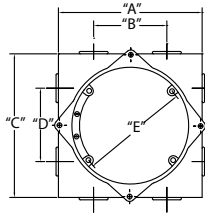
Dimensions are nominal



ENS0507K



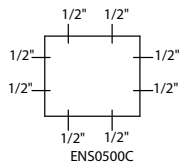
ENS0500K



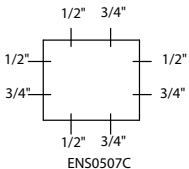
ENT Slab Box with Connectors

| Part No. | Connectors | Carton Qty. | "A" | "B" | "C" | "D" | "E" | "F" | "G" | "H" | "J" | "H" |
|----------|---------------------|-------------|-------|-------|-------|-------|-------|-------|-------|-------|-------|------|
| ENS0507C | 4 x 1/2" - 4 x 3/4" | 25 | 4.530 | 2.250 | 4.530 | 2.250 | 3.444 | 1.340 | 2.125 | 3.590 | 1.063 | .125 |
| ENS0500C | 8 x 1/2" | 25 | 4.530 | 2.250 | 4.530 | 2.250 | 3.444 | 1.340 | 2.125 | 3.590 | 1.063 | .125 |

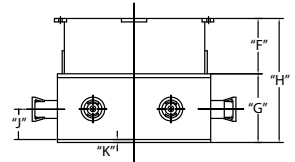
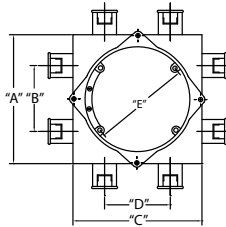
Dimensions are nominal



ENS0500C



ENS0507C



ENT Stubby



| Part No. | Size | Carton Qty. |
|----------|------|-------------|
| EN050SBY | 1/2" | 150 |
| EN075SBY | 3/4" | 150 |
| EN100SBY | 1" | 200 |

INSTALLATION INSTRUCTION - ELECTRICAL NONMETALLIC TUBING

Instructions for Solvent Welding Fittings to Electrical Nonmetallic Tubing (ENT)

- 1) Use **CANTEX** No. 50 ENT Solvent Cement or other PVC cement which is specifically labeled for use with ENT. **DO NOT USE** heavy or medium bodied PVC cement (pressure pipe type) or combination ABS/PVC cement.
- 2) Cut tubing ends square and smooth with a knife or saw. Remove burrs and ragged edges with a knife, file or abrasive cloth.
- 3) Remove all dust, dirt and moisture from ENT and fittings before applying cement.
- 4) **DO NOT USE PRIMER OR CLEANER.**
- 5) Apply **CANTEX** No. 50 Solvent Cement with the natural bristle brush supplied in the can lid. **DO NOT USE A DAUBER.**
- 6) Apply a light, uniform coat of cement inside the socket fitting.
- 7) Apply a light, uniform coat of cement to the outside surface of the ENT to the depth of the fitting socket. Brush **AROUND THE CORRUGATIONS OF THE ENT, NOT LONGITUDINALLY.** Brush away any excess cement out of the grooves of the ENT. Excess cement may cause burning and excess softening of the ENT which may result in joint failure under stress.
- 8) While cement is still set, quickly insert the ENT up to the center stop of the fitting. Give the fitting a quarter turn and hold firmly in place for 15 to 30 seconds. Do not disturb the fitting for two to five minutes to allow firm joint set.

Helpful Tips for Better Joints

The best solvent cementing results are obtained in temperatures above 40°F. In colder temperatures, allow longer times for initial settings. In cold weather, do not put joints under stress for 24 to 48 hours.

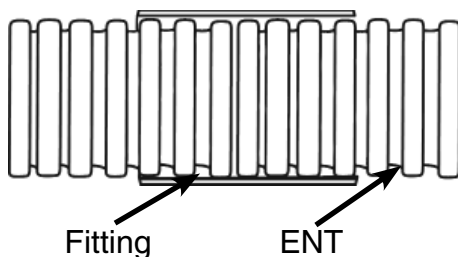
Keep can lid closed while not in use since cement is highly volatile and also will absorb moisture from the air. Do not use cement if it becomes lumpy or jelled. If lumpy or jelled, **DISCARD THE PVC CEMENT** and do not try to thin with PVC primer or cleaner.

Installers should verify for themselves that they can make satisfactory joints under varying conditions. Contact **CANTEX** for additional instructions or information if needed.

Do not use PVC solvent cement on the threads of threaded fittings.

CAUTION

PVC Cement is highly flammable. Do not use in the presence of lighted smoking materials, open flames, metal welding in progress or open electrical arcs.



Conduit Cement ENT No. 50 Low VOC

| Part No. | Size | Std. Pkg. | UPC-ITF 3 00 88700 | Pkg. Wt. |
|----------|-------|-----------|-----------------------|----------|
| 7210402 | Pint | 12 | 01020 9 | 13.12 |
| 7210403 | Quart | 12 | 01021 6 | 13.12 |

Enviro-Flex® Liquidtight Flexible Conduit & Fittings



Enviro-Flex® Liquid Tight Conduit

Liquid Tight Nonmetallic Flexible Conduit Conforms to NEC Article 356 and UL 1660

Enviro-Flex® gives complete environmental protection for exposed cable installations and is ideal for use with control and motor applications, machinery tools, moving machinery, console wire, transformer connections, outdoor lighting, air conditioning, heating systems and computer power distribution.

Enviro-Flex® offers advantages compared to metal conduit.

- **INSTALLATION**

Enviro-Flex® costs less to install. It is easy to cut with no jagged edges, is less than half the weight of metal and can utilize all existing liquid tight fittings.

- **FLEXIBILITY**

Enviro-Flex® is more flexible and its smooth inner bore makes pulling wires easier than ever.

- **SERVICE ENVIRONMENT**

Enviro-Flex® is waterproof, acid, oil, alkaline and corrosion resistant. It is non-conductive, self-extinguishing and extremely resistant to crush, abrasion and strain. UL listed for constant use at maximum 60°C (140°F) and for sunlight resistance.



Enviro-Flex® Liquid Tight Conduit - Coils

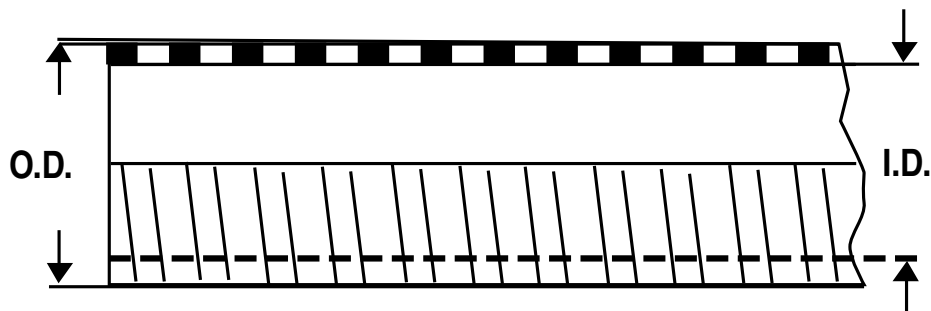
| Part No. | Size | Feet per Coil | O.D. (Nom) | | I.D. (Nom) | | Approx. Wt/Ft |
|----------|-------|---------------|------------|-------|------------|-------|---------------|
| | | | Min. | Max. | Min. | Max. | |
| V06ADA1 | 3/8 | 100 | .690 | .710 | .484 | .504 | .128 |
| V06AEA1 | 1/2 | 100 | .820 | .840 | .622 | .642 | .136 |
| V06AGA1 | 3/4 | 100 | 1.030 | 1.050 | .820 | .840 | .165 |
| V06BAA1 | 1 | 100 | 1.290 | 1.315 | 1.041 | 1.066 | .259 |
| V06BCN1 | 1-1/4 | 50 | 1.630 | 1.660 | 1.380 | 1.410 | .339 |
| V06BEN1 | 1-1/2 | 50 | 1.865 | 1.900 | 1.575 | 1.60 | .446 |
| V06CAN1 | 2 | 50 | 2.340 | 2.375 | 2.020 | 2.045 | .617 |

Dimensions are nominal

Enviro-Flex® Liquid Tight Conduit - Reels

| Part No. | Size | Feet per Reel | O.D. (Nom) | | I.D. (Nom) | | Approx. Wt/Ft |
|----------|------|---------------|------------|-------|------------|-------|---------------|
| | | | Min. | Max. | Min. | Max. | |
| V06AEJ1 | 1/2 | 1000 | .820 | .840 | .622 | .642 | .136 |
| V06AGM1 | 3/4 | 700 | 1.030 | 1.050 | .820 | .840 | .165 |
| V06BAD1 | 1 | 400 | 1.290 | 1.315 | 1.041 | 1.066 | .259 |

Dimensions are nominal



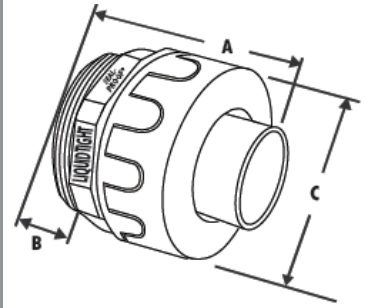
Enviro-Flex® Liquid Tight Conduit Fittings

Enviro-Flex® Straight Connectors



| Part No. | Size | Carton Qty. | A | B | C |
|----------|-------|-------------|-------|------|-------|
| 6441000 | 3/8 | 100 | 2.000 | .540 | 1.400 |
| 6441001 | 1/2 | 100 | 2.000 | .540 | 1.400 |
| 6441002 | 3/4 | 50 | 2.200 | .635 | 1.700 |
| 6441003 | 1 | 25 | 2.280 | .740 | 2.000 |
| 6441004 | 1-1/4 | 25 | 2.440 | .760 | 2.400 |
| 6441005 | 1-1/2 | 10 | 2.700 | .800 | 2.670 |
| 6441006 | 2 | 10 | 2.990 | .850 | 3.280 |

Dimensions are nominal

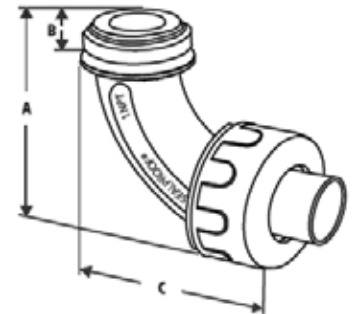


Enviro-Flex® 90° Connectors



| Part No. | Size | Carton Qty. | A | B | C |
|----------|-------|-------------|-------|------|-------|
| 5441000 | 3/8 | 50 | 2.120 | .500 | 3.120 |
| 5441001 | 1/2 | 50 | 2.120 | .500 | 3.120 |
| 5441002 | 3/4 | 50 | 2.500 | .520 | 3.600 |
| 5441003 | 1 | 25 | 3.125 | .700 | 4.125 |
| 5441004 | 1-1/4 | 25 | 4.450 | .760 | 5.200 |
| 5441005 | 1-1/2 | 10 | 4.750 | .800 | 5.200 |
| 5441006 | 2 | 10 | 5.420 | .860 | 5.800 |

Dimensions are nominal



Enviro-Flex® Flexible Elbows



| Part No. | Size | Carton Qty. |
|----------|------|-------------|
| 6441101 | 1/2 | 8 |
| 6441102 | 3/4 | 6 |
| 6441103 | 1 | 6 |

Applications:

- HVAC equipment
- Machine tools
- Marine equipment
- Motors and controls
- Printing equipment
- Pumps
- Refrigeration equipment
- Assemblies
- Wire hook-up

Enviro-Flex® Kits



| Part No. | Size | Carton Qty. |
|----------|------|-------------|
| 5441051 | 1/2 | 4 |
| 5441052 | 3/4 | 4 |

Directional Drilling Conduit



Directional Drilling Conduit

Schedule 40 CAN>LOC™ Conduit - 20 Lengths

Schedule 40 designed for directional drilling applications of up to 1,000 feet.

No solvent cement needed for secure, water-proof joints.



Conforms to UL 651 and NEMA TC-2

| Part Number | Trade Size | Length | Lay Length | Conduit O.D. (In.) | Conduit I.D. (In.) | Bell O.D. (In.) | Pack Qty. | Feet per Truckload | Wt. per 100 ft. (Lbs.) | Min. Bend Radius (ft.) | Insertion Force (Lbs.) | Seal Pressure Rating (Lbs.) | Joined Pull Rating (Lbs.) | Typical Crush (Lbs. @ 30% deflection) | UL 651 / NEMA TC2 Min. Crush (Lbs) |
|-------------|------------|--------|------------|--------------------|--------------------|-----------------|-----------|--------------------|------------------------|------------------------|------------------------|-----------------------------|---------------------------|---------------------------------------|------------------------------------|
| A24EA42 | 4 | 20 | 19.5 | 4.5 | 4.0 | 5.7 | 520 | 14,560' | 234 | 65 | 70 | 75 | 12,000 | 1,075 | 900 |
| A24GA42 | 6 | 20 | 19.5 | 6.6 | 6.0 | 8.0 | 400 | 8,000 | 456 | 65 | 80 | 75 | 18,000 | 950 | 850 |

| Part Number | Size | Description | T Min | OD | ID Min | E | D Min | L Min |
|-------------|------|-------------|-------|-------|--------|-------|-------|-------|
| A24EA42 | 4 | CAN>LOC™ | .237 | 4.500 | 3.961 | 4.515 | 6.000 | 240 |
| A24GA42 | 6 | CAN>LOC™ | .280 | 6.625 | 5.986 | 6.658 | 7.000 | 240 |

Dimensions are nominal

Schedule 40 CAN>GRIP™ Conduit - 20 Lengths

The easy assembly method takes out the human error involved in the installation of external joint restraints. CAN>GRIP™ offers a quick joining method by simply pushing the spigot into the bell end of the adjoining pipe that is equipped with the new CAN>GRIP™ joint restraint. Once the pipe is installed, the gripper ring self engages the spigot thus locking the joint. The unique bell contains a gasket to maintain a watertight system.

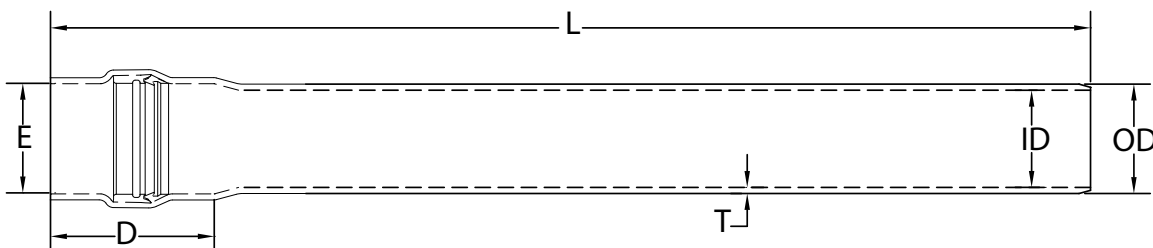


Conforms to UL 651 and NEMA TC-2

| Part Number | Trade Size | Length | Lay Length | Conduit O.D. (In.) | Conduit I.D. (In.) | Bell O.D. (In.) | Pack Qty. | Feet per Truckload | Wt. per 100 ft. (Lbs.) | Min. Bend Radius (ft.) | Insertion Force (Lbs.) | Seal Pressure Rating (Lbs.) | Joined Pull Rating (Lbs.) | Typical Crush (Lbs. @ 30% deflection) | UL 651 / NEMA TC2 Min. Crush (Lbs) |
|-------------|------------|--------|------------|--------------------|--------------------|-----------------|-----------|--------------------|------------------------|------------------------|------------------------|-----------------------------|---------------------------|---------------------------------------|------------------------------------|
| A30EA42 | 4 | 20 | 19.5 | 4.5 | 4.0 | 5.7 | 520 | 14,560 | 234 | 65 | 70 | 75 | 10,000 | 1,075 | 900 |
| A30GA42 | 6 | 20 | 19.5 | 6.6 | 6.0 | 8.0 | 400 | 8,000 | 456 | 65 | 100 | 75 | 14,000 | 950 | 850 |

| Part Number | Size | Description | T Min | OD | ID Min | E | D Min | L Min |
|-------------|------|-------------|-------|-------|--------|-------|-------|-------|
| A30EA42 | 4 | CAN>GRIP™ | .237 | 4.500 | 3.961 | 4.515 | 6.000 | 240 |
| A30GA42 | 6 | CAN>GRIP™ | .280 | 6.625 | 5.986 | 6.658 | 7.000 | 240 |

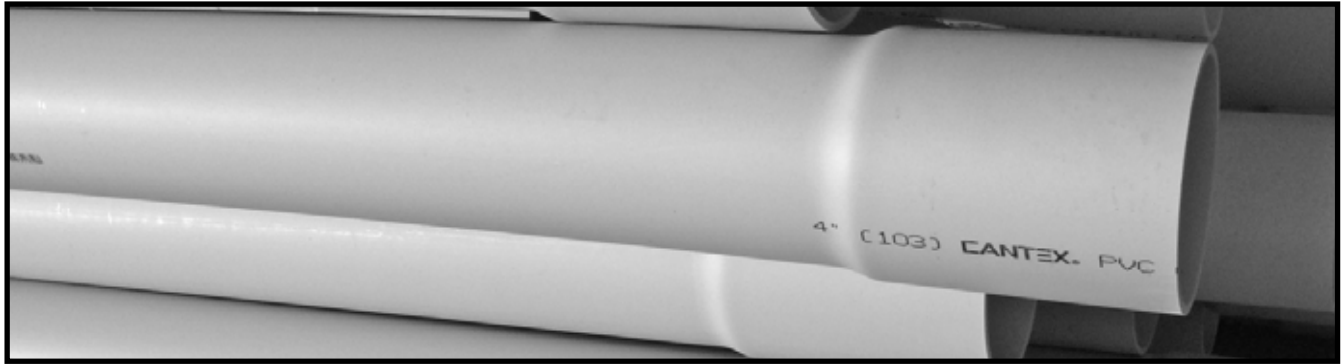
Dimensions are nominal



Telephone Duct



Telephone Duct



CAO Telephone Duct - Type B Conforms to NEMA TC-10

| Description | CANTEX Part No. | Size | Approx. Wt/Ft | Feet per Pack | OD (Min) | ID (Min) | T (Min) | B (Min) | D (Min) | E (Min) | L (Min) |
|-------------------------------|-----------------|------|---------------|---------------|----------|----------|---------|---------|---------|---------|---------|
| Type B CAO for Encased Burial | A91EA42 | 4 | 1.468 | 1,260 | 4.345 | 3.930 | .100 | 4.350 | 6.000 | 4.375 | 243 |

Dimensions are nominal

CAO Telephone Duct - Type C Conforms to NEMA TC-10

| Description | CANTEX Part No. | Size | Approx. Wt/Ft | Feet per Pack | OD (Min) | ID (Min) | T (Min) | B (Min) | D (Min) | E (Min) | L (Min) |
|------------------------------|-----------------|------|---------------|---------------|----------|----------|---------|---------|---------|---------|---------|
| Type C CAO for Direct Burial | A94EA42 | 4 | 1.468 | 1,260 | 4.345 | 3.930 | .150 | 4.350 | 6.000 | 4.375 | 243 |

Type C Duct can also be used for concrete encased applications where specified.

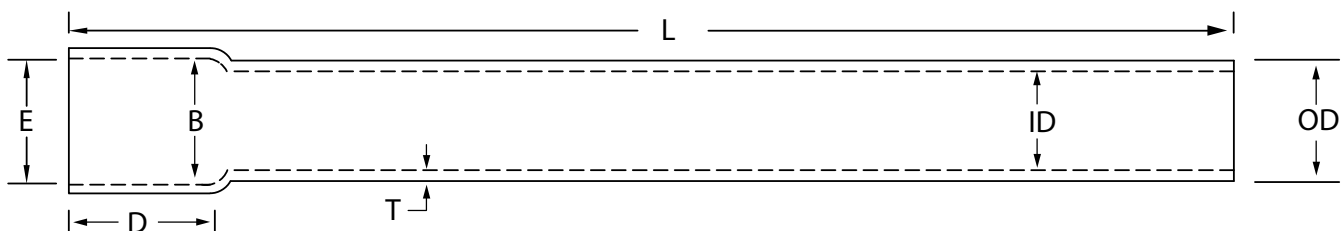
Dimensions are nominal

CAO Telephone Duct - Type D

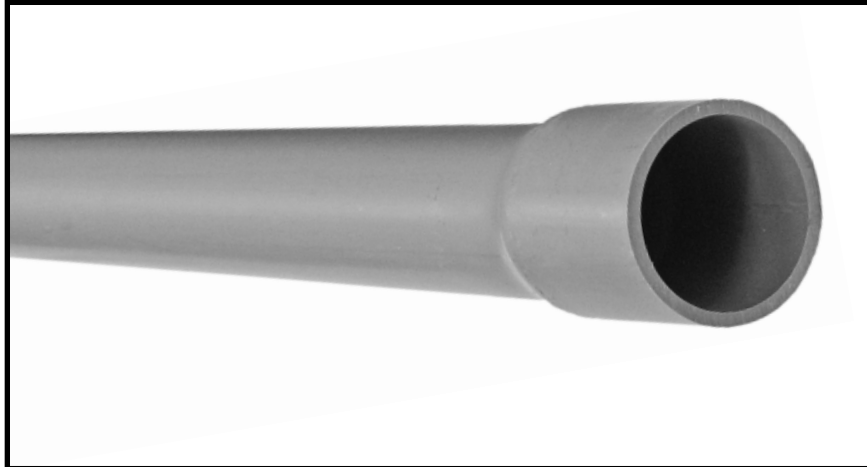
| Description | CANTEX Part No. | Size | Approx. Wt/Ft | Feet per Pack | OD (Min) | ID (Min) | T (Min) | B (Min) | D (Min) | E (Min) | L (Min) |
|-------------------------------------|-----------------|------|---------------|---------------|----------|----------|---------|---------|---------|---------|---------|
| Type D CAO for Exposed Applications | A70EA42 | 4 | 1.468 | 1,260 | 4.345 | 3.930 | 1.55 | 4.350 | 6.00 | 4.375 | 243 |

Dimensions are nominal

NOTE: Type B & Type D Duct are non-stock items. Call for availability



Schedule 40 & DBHM-120 Utility Duct



Schedule 40 Conduit
Meets specifications of UL 651 and NEMA TC2
Rated for 90°C Cable

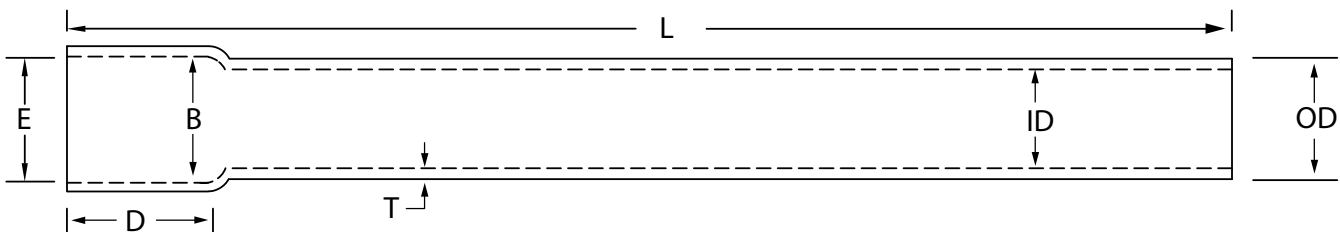
| CANTEX Part No. | Size | Approx. Wt/Ft | Feet per Pack | OD (Min) | ID (Min) | T (Min) | B (Min) | D (Min) | E (Min) | L (Min) |
|-----------------|-------|---------------|---------------|----------|----------|---------|---------|---------|---------|---------|
| A52BE12 | 1-1/2 | .557 | 2,250 | 1.900 | 1.564 | .145 | 1.894 | 1.062 | 1.894 | 120 |
| A52BE42 | 1-1/2 | .557 | 4,500 | 1.900 | 1.564 | .145 | 1.894 | 1.062 | 1.894 | 240 |
| A52CA12 | 2 | .749 | 1,400 | 2.375 | 2.021 | .154 | 2.369 | 1.125 | 2.369 | 120 |
| A52CA42 | 2 | .749 | 2,800 | 2.375 | 2.021 | .154 | 2.369 | 1.125 | 2.369 | 240 |
| A52CE12 | 2-1/2 | 1.256 | 930 | 2.875 | 2.414 | .203 | 2.868 | 1.469 | 2.868 | 120 |
| A52CE42 | 2-1/2 | 1.256 | 1,860 | 2.875 | 2.414 | .203 | 2.868 | 1.469 | 2.868 | 240 |
| A52EA42 | 4 | 2.345 | 570 | 4.500 | 4.026 | .237 | 4.491 | 1.750 | 4.515 | 240 |

Dimensions are nominal

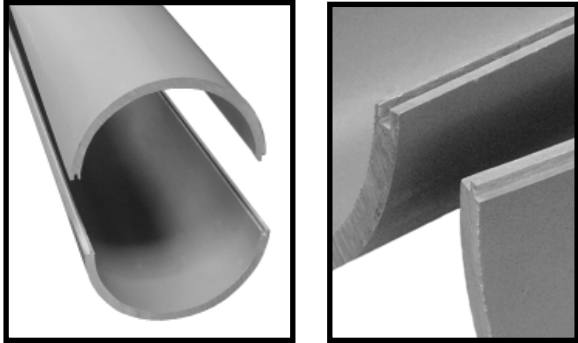
Type DBHM-120 (For Direct Burial)
500,000 PSI Modulus

| CANTEX Part No. | Size | Approx. Wt/Ft | Feet per Pack | OD (Min) | ID (Min) | T (Min) | B (Min) | D (Min) | E (Min) | L (Min) |
|-----------------|------|---------------|---------------|----------|----------|---------|---------|---------|---------|---------|
| A55CA42 | 2 | .748 | 1,760 | 2.375 | 2.221 | .077 | 2.381 | 3.250 | 2.400 | 240 |

Dimensions are nominal



Schedule 40 and Type C Telephone Split Duct



Enables repair of damaged conduit in existing installations with no cutting and splicing of cables.

This product is not UL Listed
Dimensions conform to UL 651 Specification

Schedule 40 Split Duct - 10' Lengths

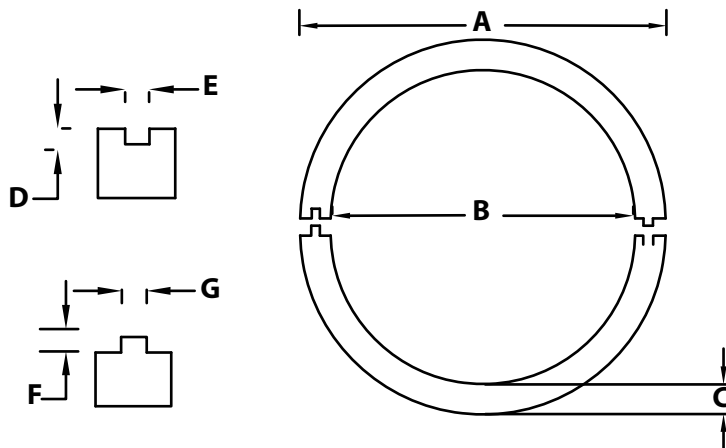
| Part No. | Size | Feet per Pack | A Min | B Min | C Min | D Min | E Min | F Min | G Min |
|----------|------|---------------|--------------|-------|-------|-------|-------|-------|-------|
| A52DAZS | 3 | 500 | 3.500 ± .008 | 3.008 | .216 | .125 | .080 | .125 | .074 |
| A52EAZS | 4 | 290 | 4.500 ± .074 | 3.961 | .237 | .125 | .080 | .125 | .074 |

Dimensions are nominal

Type C Telephone Split Duct - 10' Lengths

| Part No. | Size | Feet per Pack | A Min | B Min | C Min | D Min | E Min | F Min | G Min |
|----------|------|---------------|-------|-------|-------|-------|-------|-------|-------|
| A94EAZS | 4 | 320 | 4.350 | | .150 | .125 | .071 | .125 | .060 |

Dimensions are nominal

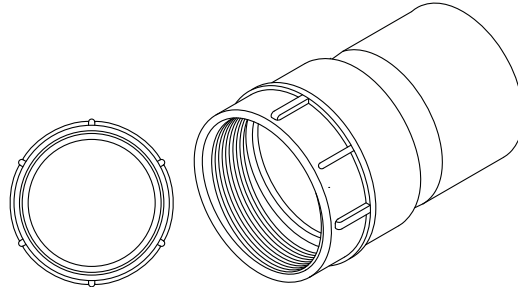
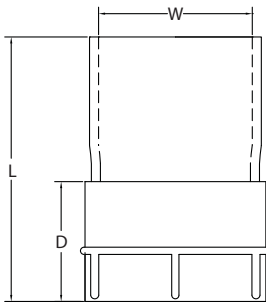


Telephone Duct - Fittings & Accessories

Adapts 4" Threaded Metal Pipe to 4" Telephone Duct

| Part No. | Size | Approx. Wt. | Carton Qty. | "A" | "B" | "C" | "D" | "L" | "W" |
|----------|-----------|-------------|-------------|-------|-------|-------|-------|--------|-------|
| 5164037 | 3-1/2"x 4 | .800 | 10 | 3.000 | 4.000 | 4.313 | 4.375 | 16.000 | 4.000 |

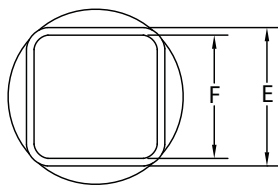
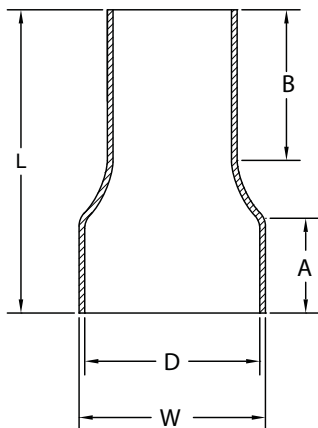
Dimensions are nominal



Adapts 4" Telephone Duct to Square Clay Tile

| Part No. | Size | Approx. Wt. | Carton Qty. | "L" | "W" | "A" | "B" | "D" | "E" (Min.) | "F" (Max.) |
|----------|-----------|-------------|-------------|-------|-------|-------|-------|-------|------------|------------|
| 5164036S | 3-1/4 x 4 | .800 | 24 | 8.000 | 4.938 | 2.500 | 4.000 | 4.625 | 3.000 | 3.380 |
| 5164037 | 3-1/2 x 4 | .800 | 10 | 8.000 | 4.938 | 2.500 | 4.000 | 4.625 | 3.650 | 3.250 |

Dimensions are nominal

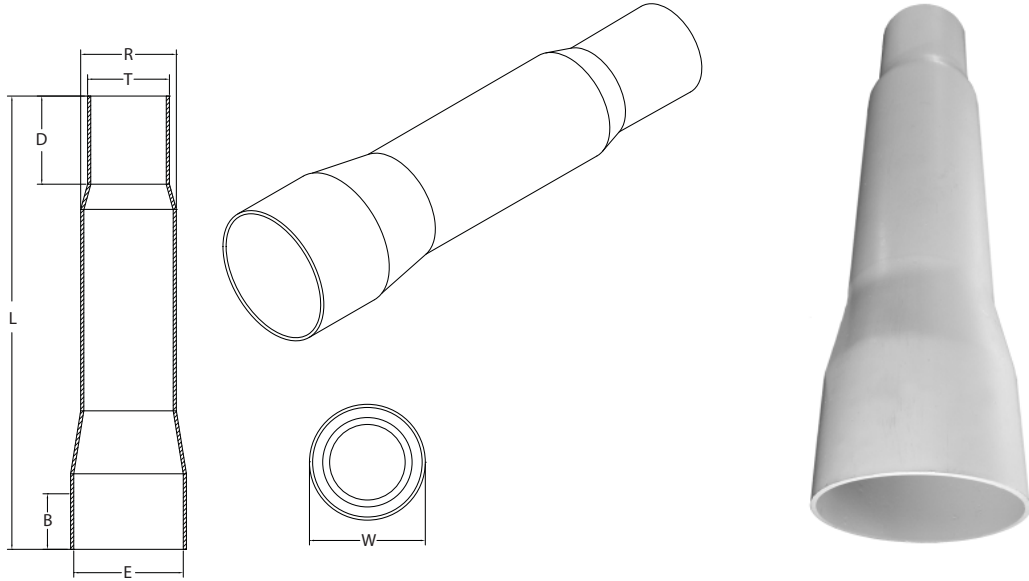


Telephone Duct - Fittings & Accessories

Adapts 4" Telephone Duct to 3-1/4" Round Clay Tile

| Part No. | Size | Approx. Wt. | Carton Qty. | "W" | "L" | "B" | "D" | "E" | "R" | "T" |
|----------|----------------|-------------|-------------|-------|--------|-------|-------|-------|-------|-------|
| 5164031S | 4 x 3-1/4 x 18 | .800 | 20 | 4.625 | 18.000 | 2.188 | 3.500 | 4.375 | 3.813 | 3.250 |

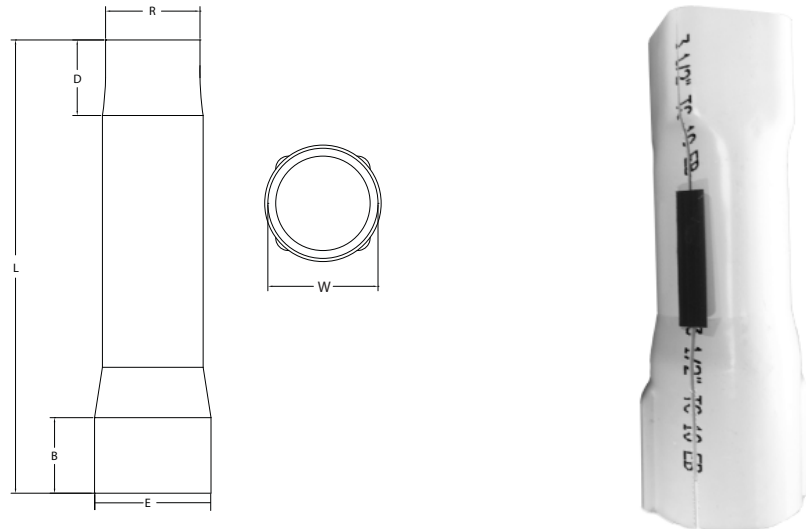
Dimensions are nominal



Adapts 4" Telephone Duct to Split 3-1/2" Square Clay Tile

| Part No. | Size | Approx. Wt. | Carton Qty. | "W" | "L" | "B" | "D" | "E" | "R" |
|----------|----------------|-------------|-------------|-------|--------|-------|-------|-------|-------|
| 5164029S | 4 x 3-1/2 x 18 | .800 | 8 | 4.375 | 18.000 | 3.000 | 3.000 | 4.375 | 3.750 |

Dimensions are nominal

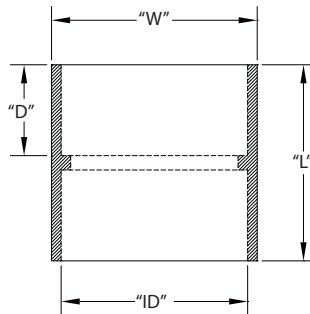
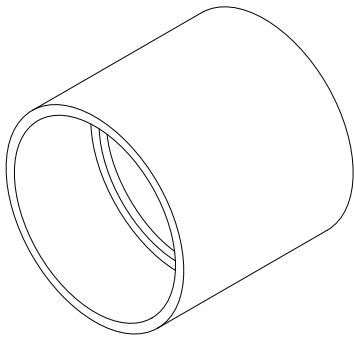


Telephone Duct - Fittings & Accessories

Schedule 40 Conduit Coupling with Center Stop (For Use with Schedule 40 & Schedule 80 conduit)

| Part No. | Size | Approx. Wt. | Carton Qty. | "W" | "L" | "ID" | "D" |
|----------|-------|-------------|-------------|-------|-------|-------|-------|
| 6141629 | 2-1/2 | .348 | 20 | 3.250 | 3.500 | 2.875 | 1.750 |

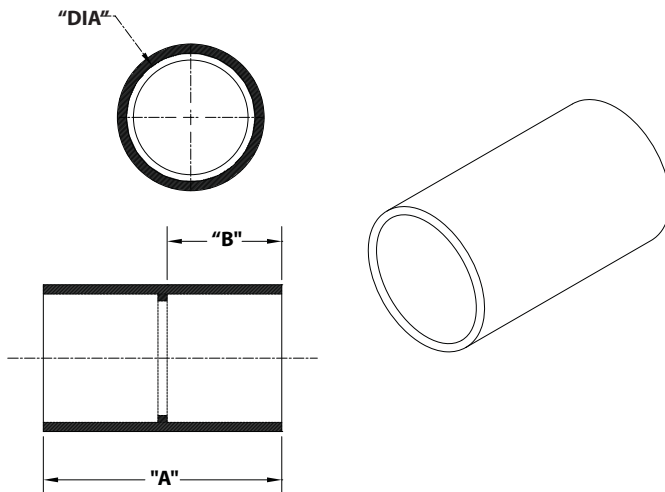
Dimensions are nominal



Schedule 40 Longline Conduit Coupling with Center Stop - Molded (For Use with Schedule 40 & Schedule 80 conduit)

| Part No. | Size | Approx. Wt. | Carton Qty. | "DIA" | "A" | "B" |
|----------|------|-------------|-------------|-------|-------|-------|
| 6202000 | 2 | .280 | 20 | 2.375 | 4.188 | 2.000 |

Dimensions are nominal

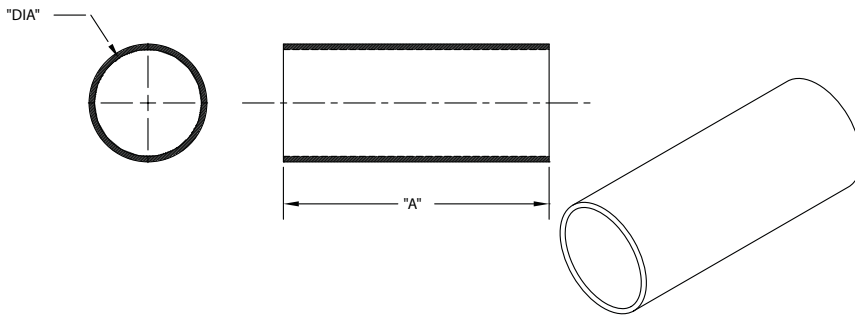


Telephone Duct - Fittings & Accessories

Schedule 40 Longline Conduit Coupling with No Center Stop - Fabricated (For Use with Schedule 40 & Schedule 80 conduit)

| Part No. | Size | Approx. Wt. | Carton Qty. | "DIA" | "A" |
|----------|-------|-------------|-------------|-------|-------|
| 6203002 | 2-1/2 | .603 | 20 | 2.875 | 6.000 |

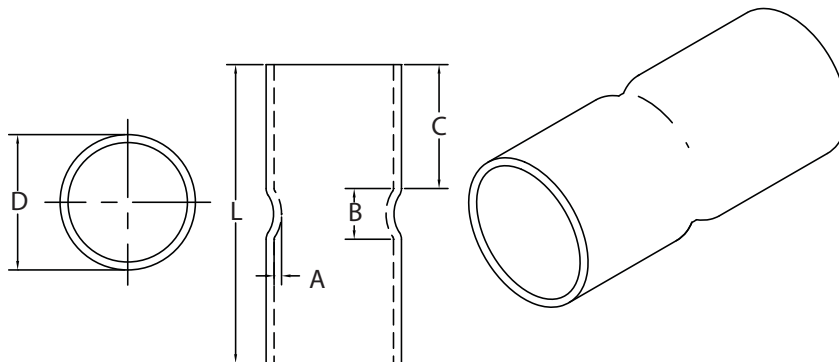
Dimensions are nominal



DBHM-120 Coupling Bell x Bell - Fabricated

| Part No. | Size | Approx. Wt. | Carton Qty. | "A" | "B" | "C" | "D" | "L" |
|----------|------|-------------|-------------|------|------|-------|-------|-------|
| 6161635 | 2 | .213 | 35 | .075 | .094 | 2.490 | 2.734 | 6.000 |

Dimensions are nominal

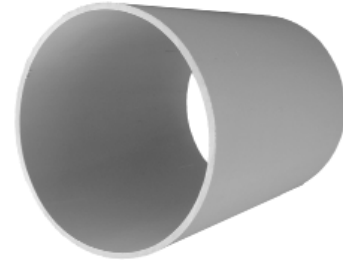
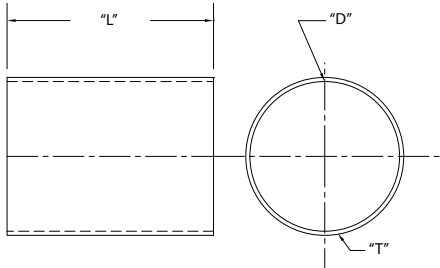


Telephone Duct - Fittings & Accessories

CAO Coupling (Gray) No Center Stop - Fabricated

| Part No. | Size | Approx. Wt. | Carton Qty. | "L" | "D" | "T" |
|----------|------|-------------|-------------|-------|-------|------|
| 6161652 | 4 | .825 | 50 | 6.000 | 4.350 | .090 |

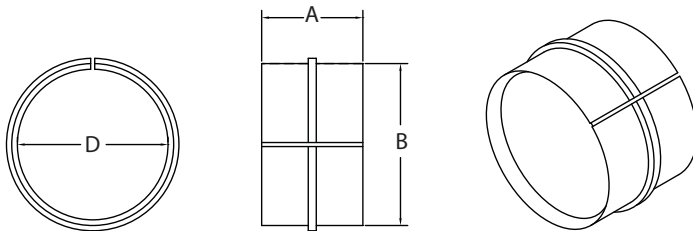
Dimensions are nominal



CAO Internal Coupling

| Part No. | Size | Approx. Wt. | Carton Qty. | "A" | "B" | "D" |
|----------|------|-------------|-------------|--------|-------|-------|
| 6161633 | 4 | 2.000 | 1 | 2.5000 | 4.000 | 3.750 |

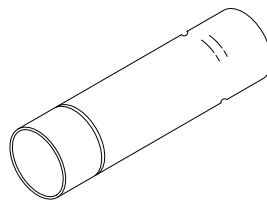
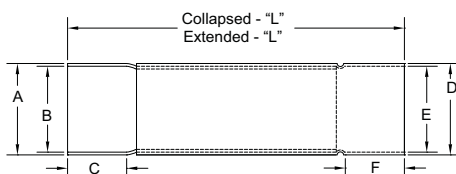
Dimensions are nominal



CAO Expansion Coupling for use with Type D Duct

| Part No. | Size | Approx. Wt. | Carton Qty. | Collapsed "L" | Extended "L" | "A" | "B" | "C" | "D" | "E" | "F" |
|----------|------|-------------|-------------|---------------|--------------|------|------|------|------|------|------|
| 6161634 | 4 | .835 | 25 | 17.10 | 25.10 | 4.64 | 4.36 | 3.00 | 4.64 | 4.36 | 3.00 |

Dimensions are nominal

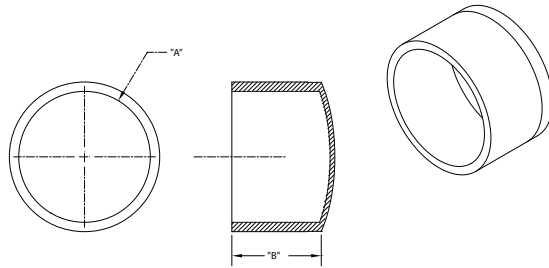


Telephone Duct - Fittings & Accessories

Schedule 40 End Cap

| Part No. | Size | Approx. Wt. | Carton Qty. | "A" | "B" |
|----------|------|-------------|-------------|-------|-------|
| 5140040 | 4 | .835 | 25 | 4.500 | 2.375 |

Dimensions are nominal

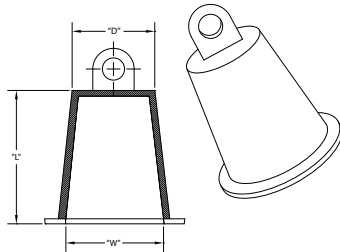


Flat top

Poly Plug with Pull Eye

| Part No. | Size | Approx. Wt. | Carton Qty. | "L" | "W" | "D" |
|----------|------|-------------|-------------|-------|-------|-------|
| 5315258 | 2 | .835 | 25 | 3.000 | 2.500 | 2.000 |

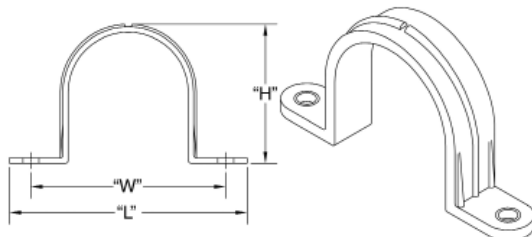
Dimensions are nominal



Nonmetallic Conduit Clamp

| Part No. | Size | Approx. Wt. | Carton Qty. | "L" | "W" | "H" |
|----------|------|-------------|-------------|-------|-------|-------|
| 5133737 | 3/4 | .000 | 200 | 2.500 | 2.000 | 1.250 |

Dimensions are nominal



Telephone Duct - Fittings & Accessories

Standard Riser - 10' Lengths

| Part No. | Size | Approx. Wt. | Feet per Pack |
|----------|------|-------------|---------------|
| A23BA12 | 1 | .316 | 100 |
| A23CA12 | 2 | .619 | 50 |
| A23DA12 | 3 | 1.435 | 50 |
| A23EA12 | 4 | 2.045 | 50 |

Schedule 40 Riser - 10' Lengths

| CANTEX Part No. | Size | Approx. Wt. | Feet per Pack |
|-----------------|------|-------------|---------------|
| A25CA12 | 2 | 1.401 | 50 |

Wye Branch Adapter (White)

| Part No. | Size | Approx. Wt. | Carton Qty. |
|----------|------|-------------|-------------|
| 5163556S | 4 | 4.000 | 12 |



Schedule 40 90° Elbows Bell End



Schedule 40 90° Special Radius Elbows - Bell End

| Part No. | Size | "R" | "O" | "H" | "S" Min. | "B" Min. | "L" |
|----------|-------|--------|--------|--------|----------|----------|--------|
| 5233828 | 2 | 9.500 | 9.500 | 9.500 | 2.000 | 2.000 | 15.000 |
| 5233846 | 2 | 18.000 | 18.000 | 18.000 | 2.000 | 2.000 | 28.500 |
| 5133924 | 2 | 24.000 | 24.000 | 24.000 | 2.000 | 2.000 | 37.688 |
| 5233847 | 2-1/2 | 24.000 | 24.000 | 24.000 | 3.000 | 2.250 | 37.688 |
| 5233848 | 2 | 36.000 | 36.000 | 36.000 | 2.000 | 2.000 | 56.500 |
| 5233857 | 2-1/2 | 36.000 | 36.000 | 36.000 | 3.000 | 2.250 | 56.500 |
| 5121038 | 3 | 36.000 | 36.000 | 36.000 | 3.125 | 2.500 | 56.500 |
| 5233843 | 4 | 48.000 | 48.000 | 48.000 | 3.375 | 3.250 | 75.375 |
| 5233786 | 2 | 60.000 | 60.000 | 60.000 | 2.000 | 2.000 | 94.250 |

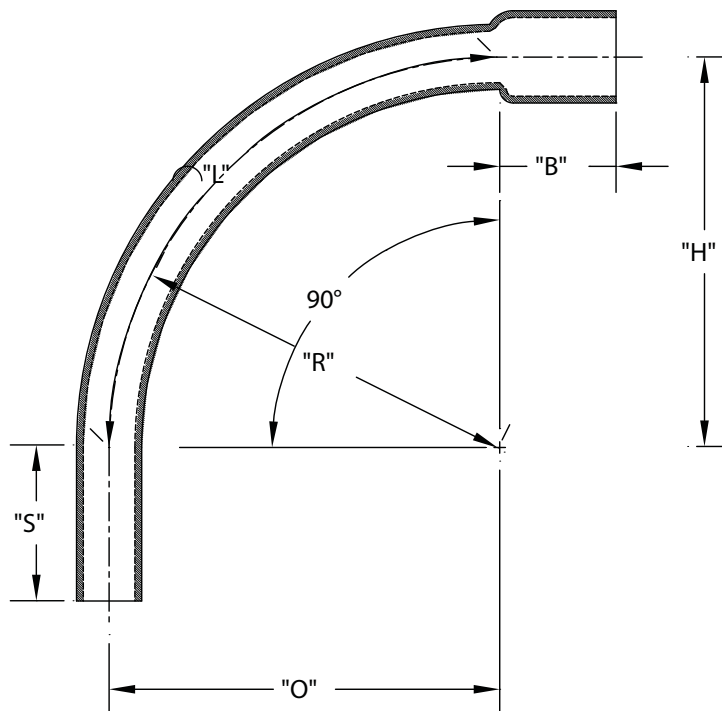
Dimensions are nominal

Schedule 80 90° Special Radius Elbows - Bell End



| Part No. | Size | "R" | "O" | "H" | "S" Min. | "B" Min. | "L" |
|----------|------|--------|--------|--------|----------|----------|--------|
| 5121038 | 3 | 36.000 | 36.000 | 36.000 | 3.125 | 2.500 | 56.500 |

Dimensions are nominal



Telephone Duct - 90° Elbows Bell End

CAO 90° Special Radius Elbows - Bell End

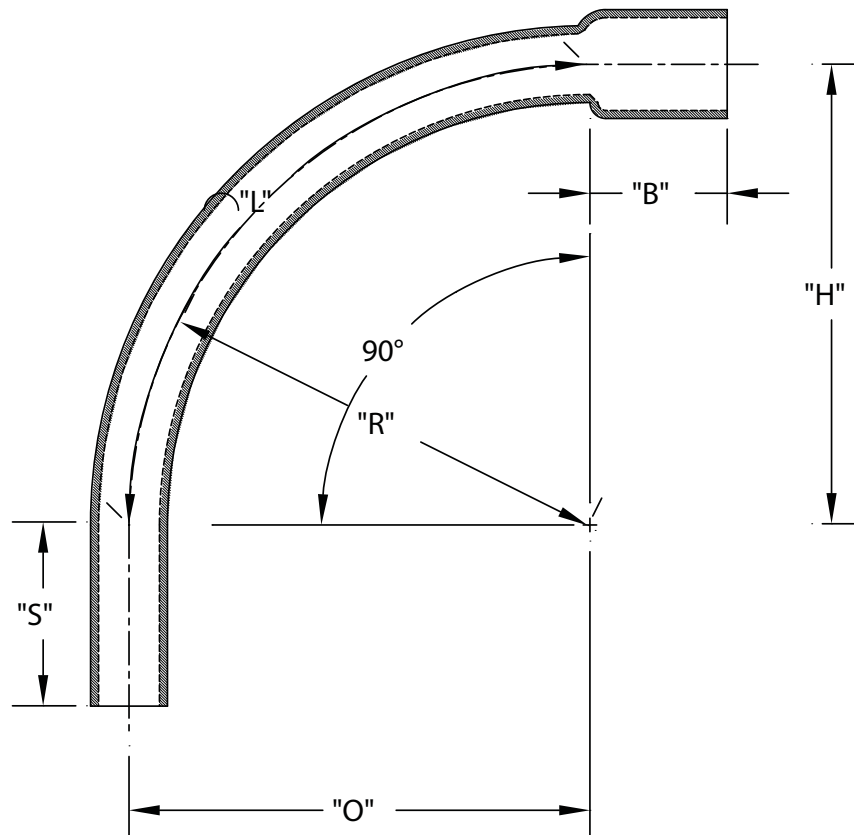
| Part No. | Size | "R" | "O" | "H" | "S" Min. | "B" Min. | "L" |
|-----------|------|---------|---------|---------|-------------|-------------|---------|
| 5163854Q | 4 | 54.000 | 54.000 | 54.000 | 3.000 | 6.000 | 84.688 |
| 5163857GQ | 4 | 150.000 | 150.000 | 150.000 | 3.000 | 6.000 | 235.625 |
| 5163857Q | 4 | 150.000 | 150.000 | 150.000 | 3.000 | 6.000 | 235.625 |

Dimensions are nominal

DBHM-120 90° Special Radius Elbows - Bell End

| Part No. | Size | "R" | "O" | "H" | "S" Min. | "B" Min. | "L" |
|----------|------|--------|--------|--------|-------------|-------------|---------|
| 5125862 | 2 | 18.000 | 18.000 | 18.000 | 2.000 | 2.000 | 28.250 |
| 5125881 | 2 | 24.000 | 24.000 | 24.000 | 2.000 | 2.000 | 37.688 |
| 5125869 | 2 | 36.000 | 36.000 | 36.000 | 2.000 | 2.000 | 56.563 |
| 5125740 | 2 | 48.000 | 48.000 | 48.000 | 2.000 | 2.000 | 75.875 |
| 5283710 | 2 | 68.000 | 68.000 | 68.000 | 2.000 | 2.000 | 106.813 |

Dimensions are nominal



Telephone Duct - 90° Elbows Bell End

CAO 45° Special Radius Elbows - Bell End

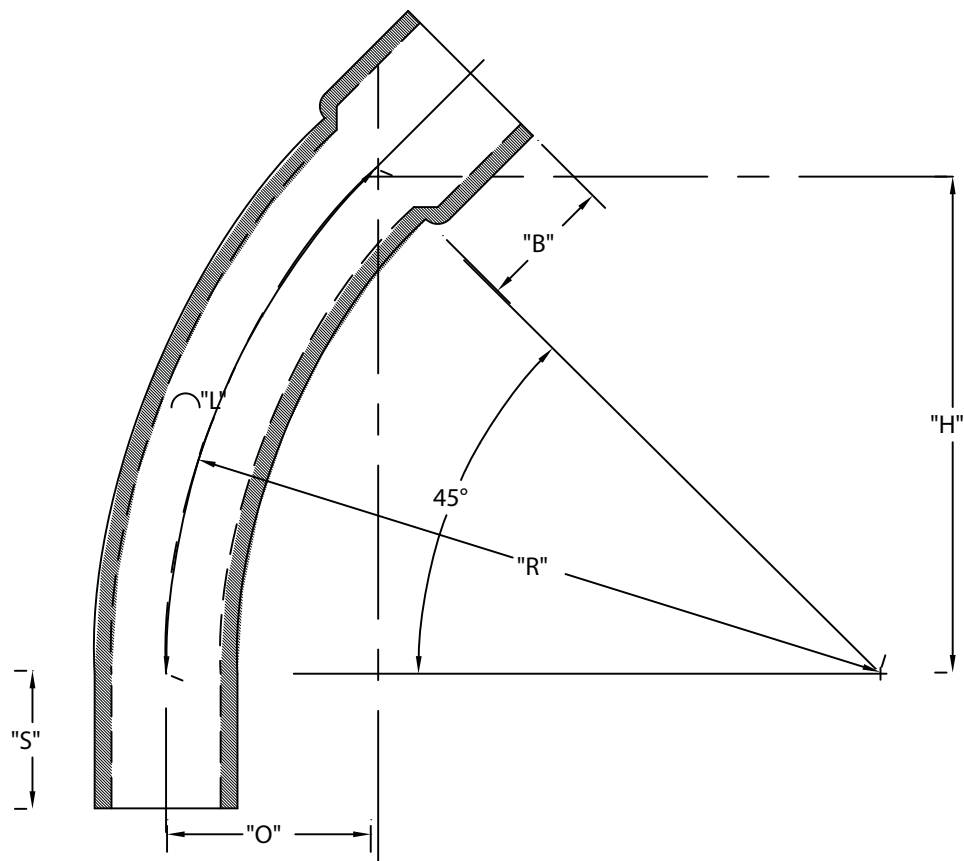
| Part No. | Size | "R" | "O" | "H" | "S" Min. | "B" Min. | "L" |
|-----------|------|---------|--------|---------|----------|----------|---------|
| 5163746Q | 4 | 84.000 | 24.625 | 59.375 | 3.000 | 6.000 | 66.000 |
| 5163761GQ | 4 | 96.000 | 28.125 | 67.875 | 3.000 | 6.000 | 75.375 |
| 5163744GQ | 4 | 144.000 | 42.188 | 101.813 | 3.000 | 6.000 | 113.125 |
| 5163747Q | 4 | 144.000 | 42.188 | 101.813 | 3.000 | 6.000 | 113.125 |
| 5163858Q | 4 | 180.000 | 52.750 | 127.250 | 3.000 | 6.000 | 141.375 |

Dimensions are nominal

DBHM-120 45° Special Radius Elbows - Bell End

| Part No. | Size | "R" | "O" | "H" | "S" Min. | "B" Min. | "L" |
|----------|------|---------|--------|---------|----------|----------|---------|
| 5125767 | 2 | 24.000 | 7.000 | 17.000 | 2.000 | 2.000 | 18.875 |
| 5125879 | 2 | 36.000 | 10.563 | 25.438 | 2.000 | 2.000 | 28.250 |
| 5125769 | 2 | 48.000 | 14.063 | 33.938 | 2.000 | 2.000 | 37.688 |
| 5125766 | 2 | 150.000 | 43.938 | 106.063 | 2.000 | 2.000 | 117.831 |

Dimensions are nominal



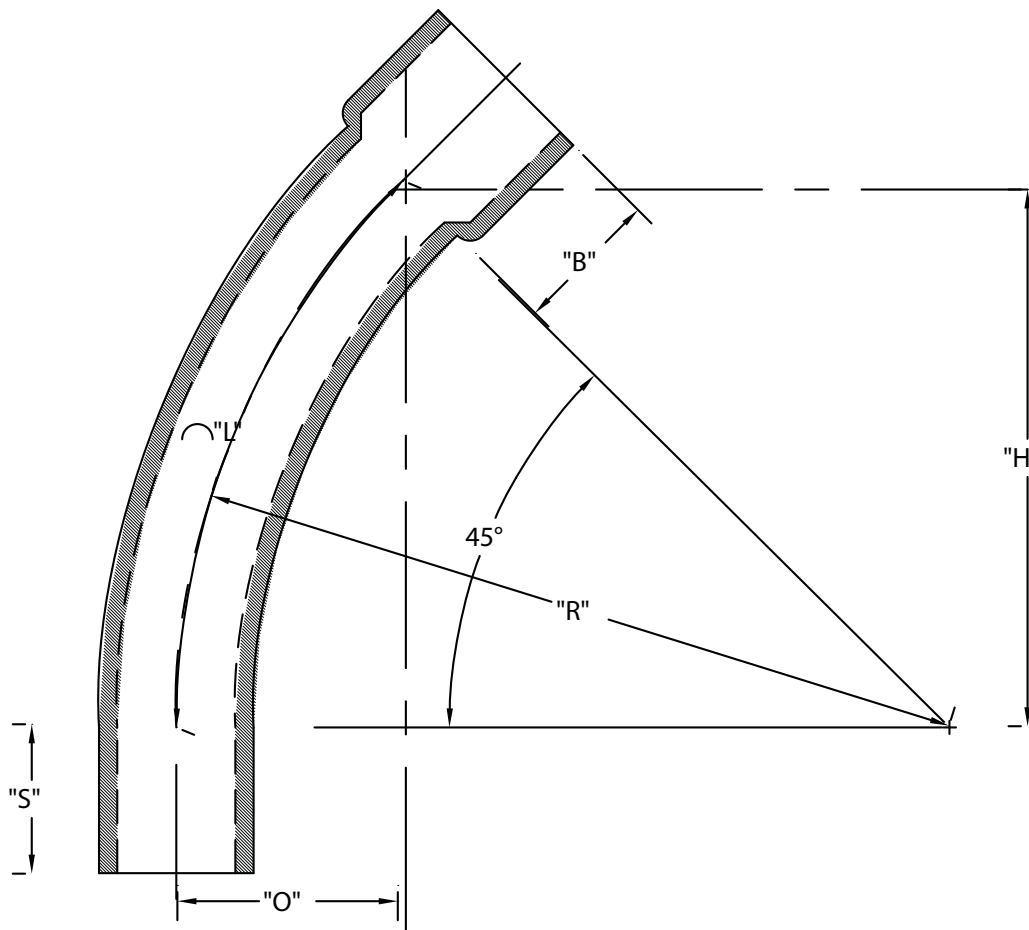
Schedule 40 45° Special Radius Elbows Bell End

Schedule 40 Special Radius Elbows - Bell End



| Part No. | Size | "R" | "O" | "H" | "S" Min. | "B" Min. | "L" |
|----------|-------|---------|--------|---------|----------|----------|---------|
| 5233941 | 1-1/4 | 24.000 | 7.000 | 17.000 | 2.000 | 1.500 | 18.875 |
| 5233815 | 2 | 24.000 | 7.000 | 17.000 | 2.000 | 2.000 | 18.875 |
| 5233935 | 2-1/2 | 24.000 | 7.000 | 17.000 | 2.000 | 2.250 | 18.875 |
| 5233778 | 2 | 36.000 | 10.500 | 25.438 | 2.000 | 2.000 | 28.250 |
| 5233801 | 2-1/2 | 36.000 | 10.500 | 25.438 | 3.000 | 2.250 | 28.250 |
| 5234015 | 2 | 150.000 | 43.938 | 106.063 | 2.000 | 2.000 | 117.813 |

Dimensions are nominal

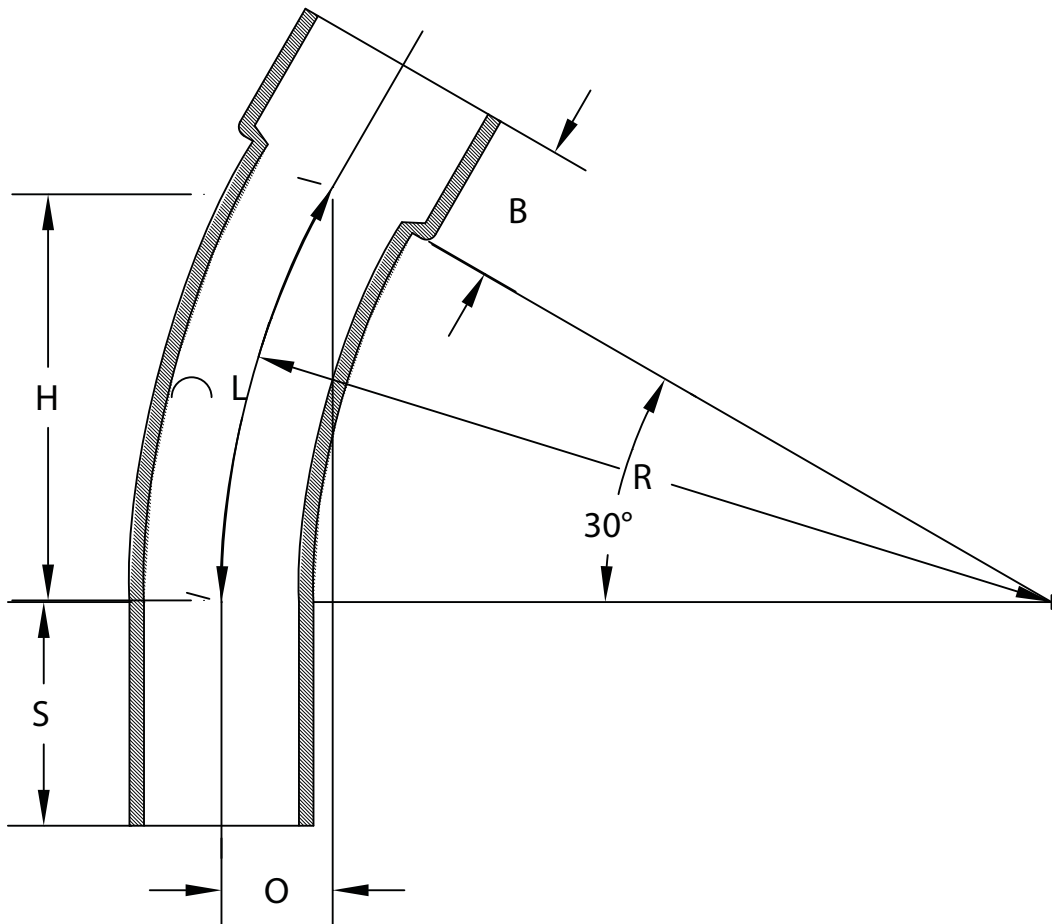


Telephone Duct 30° Elbows Bell End

CAO 30° Special Radius Elbows - Bell End

| Part No. | Size | "R" | "O" | "H" | "S" Min. | "B" Min. | "L" |
|-----------|------|---------|--------|--------|----------|----------|--------|
| 5163881GQ | 4 | 108.000 | 14.500 | 54.000 | 3.000 | 6.000 | 56.563 |
| 5163881Q | 4 | 108.000 | 14.500 | 54.000 | 3.000 | 6.000 | 56.563 |
| 5163749GQ | 4 | 180.000 | 24.125 | 90.000 | 3.000 | 6.000 | 94.250 |
| 5163749Q | 4 | 180.000 | 24.125 | 90.000 | 3.000 | 6.000 | 94.250 |

Dimensions are nominal



Telephone Duct - 22-1/2° & 11-1/4° Elbows Bell End

CAO 22-1/2° Special Radius Elbows - Bell End

| Part No. | Size | "R" | "O" | "H" | "S" Min. | "B" Min. | "L" |
|-----------|------|---------|--------|--------|-------------|-------------|--------|
| 5163643GQ | 4 | 150.000 | 11.438 | 57.375 | 3.000 | 6.000 | 58.875 |
| 5163643Q | 4 | 150.000 | 11.438 | 57.375 | 3.000 | 6.000 | 58.875 |

Dimensions are nominal

DBHM-120 22-1/2° Special Radius Elbows - Bell End

| Part No. | Size | "R" | "O" | "H" | "S" Min. | "B" Min. | "L" |
|----------|------|--------|-------|--------|-------------|-------------|--------|
| 5125763 | 2 | 24.000 | 1.813 | 9.188 | 2.000 | 2.000 | 9.438 |
| 5125768 | 2 | 36.000 | 2.750 | 13.750 | 2.000 | 2.000 | 14.125 |

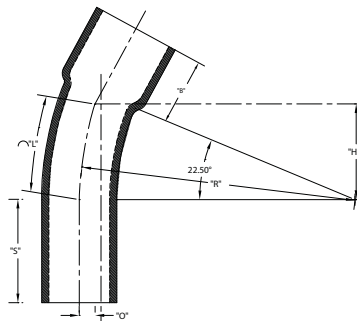
Dimensions are nominal

Schedule 40 22-1/2° Special Radius Elbows - Bell End



| Part No. | Size | "R" | "O" | "H" | "S" Min. | "B" Min. | "L" |
|----------|------|--------|-------|--------|-------------|-------------|--------|
| 5233851 | 2 | 36.000 | 2.750 | 13.750 | 2.000 | 2.000 | 14.125 |

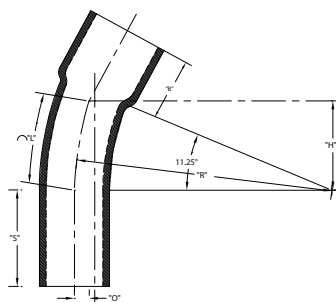
Dimensions are nominal



Schedule 40 11-1/4° CAO Special Radius Elbows - Bell End (Gray)

| Part No. | Size | "R" | "O" | "H" | "S" Min. | "B" Min. | "L" |
|-----------|------|-----|-------|--------|-------------|-------------|--------|
| 5163646GQ | 4 | 60 | 1.125 | 11.688 | 3.000 | 6.000 | 11.750 |

Dimensions are nominal



Solvent Cement & Primer



**CANTEX PVC cement and primer are for use on rigid PVC Electrical Conduit.
DO NO USE FOR WATER, SEWER OR DWV INSTALLATIONS.**

Solvent Cement & Primer for Conduit and Fittings

CANTEX PVC cement and primer are for use on rigid PVC Electrical conduit and fittings.

DO NOT USE FOR WATER, SEWER OR DWV INSTALLATIONS.

Conduit Cement No. 99



| Part Number | Size | Carton Qty. |
|-------------|----------|-------------|
| 7210601 | 1/2 Pint | 24 |
| 7210602 | Pint | 12 |
| 7210603 | Quart | 12 |
| 7210605 | Gallon | 6 |

Conduit Cement No. 99 - Gray



| Part Number | Size | Carton Qty. |
|-------------|-------|-------------|
| 7210502 | Pint | 12 |
| 7210503 | Quart | 12 |

Conduit All Weather Cement



| Part Number | Size | Carton Qty. |
|-------------|----------|-------------|
| 7210411 | 1/2 Pint | 24 |
| 7210412 | Pint | 12 |
| 7210413 | Quart | 12 |
| 7210414 | Gallon | 6 |

Conduit Primer No. 10



| Part Number | Size | Carton Qty. |
|-------------|----------|-------------|
| 7211301 | 1/2 Pint | 24 |
| 7211302 | Pint | 12 |
| 7211303 | Quart | 12 |
| 7211305 | Gallon | 6 |

ESTIMATED SOLVENT REQUIREMENT PER 1,000 FEET IN QUARTS
One weld per 20 feet

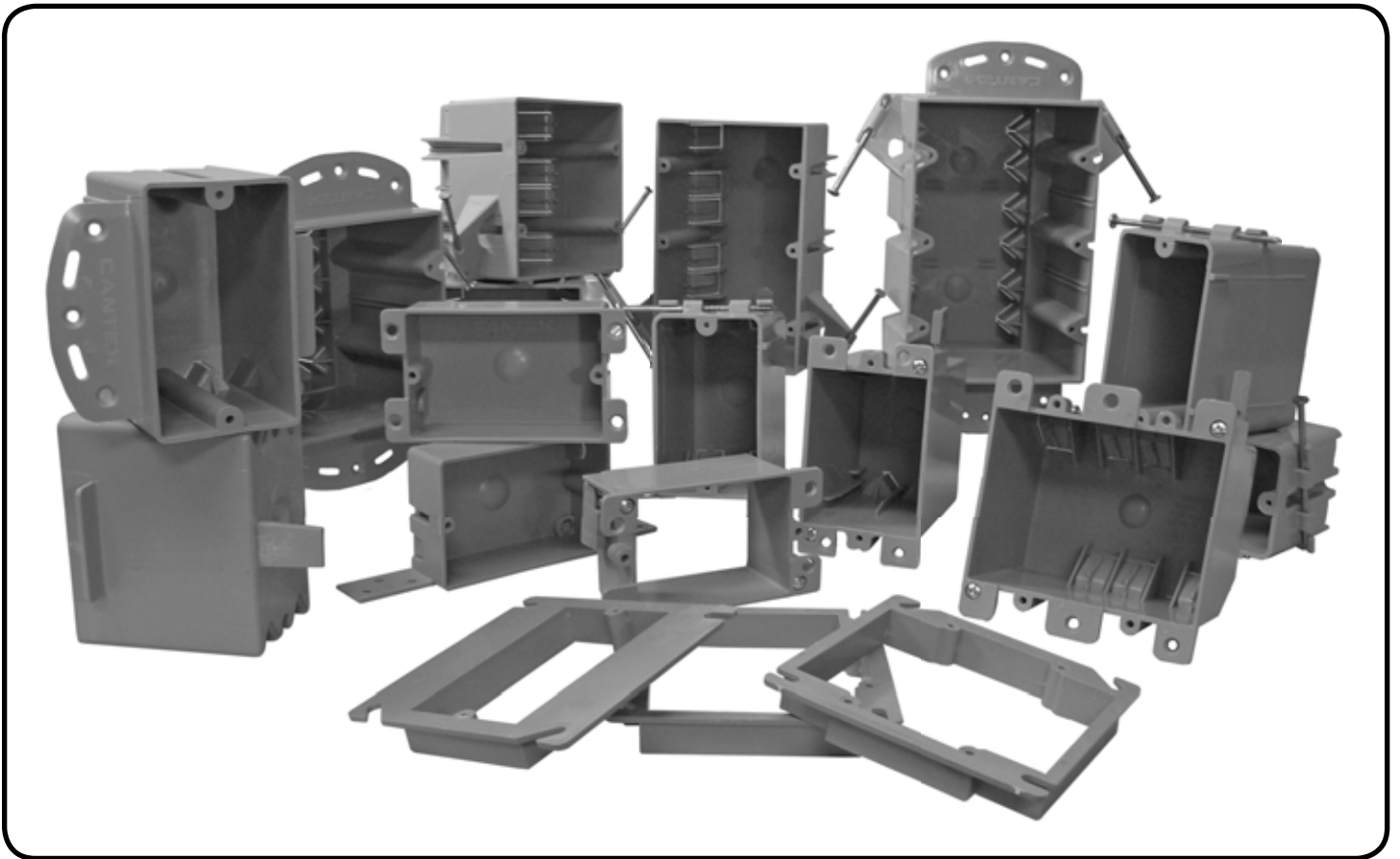
| Pipe Size | 1/2" | 3/4" | 1" | 1-1/4" | 1-1/2" | 2" | 2-1/2" | 3" | 4" | 5" | 6" |
|-----------|------|------|-----|--------|--------|----|--------|-------|----|-------|----|
| Cement | 1/2 | 1/2 | 1/2 | 1 | 1 | 1 | 1-1/2 | 1-1/2 | 2 | 2-1/2 | 4 |
| Primer | 1/2 | 1/2 | 1/2 | 1 | 1 | 1 | 1-1/2 | 1-1/2 | 2 | 2-1/2 | 4 |

ENT NO. 50 Cement Solvent Cement for EZ-FLEX ENT



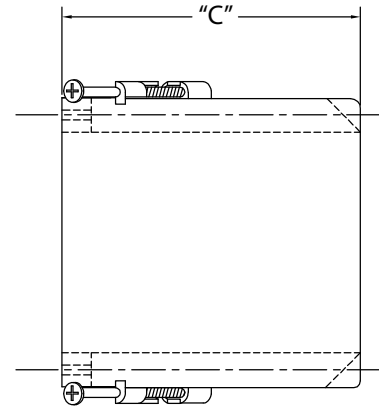
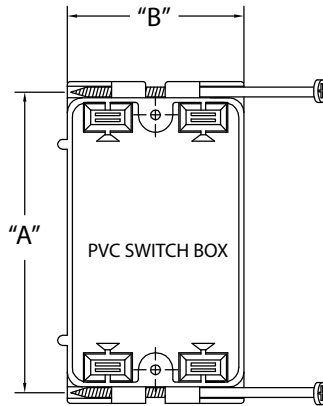
| Part Number | Size | Carton Qty. |
|-------------|-------|-------------|
| 7210402 | Pint | 12 |
| 7210403 | Quart | 12 |

EZ BOX[®] FROM CANTEX[®]



EZ Box® Residential Switch/Outlet Boxes

EZ BOX® Single Gang Nail On Residential Box



Four knockouts
Enhanced angled nails for quick mounting between studs.

16 Cubic Inch

| Part Number | Carton Quantity | "A" | "B" | "C" |
|-------------|-----------------|-------|-------|-------|
| EZ16SNW | 100 | 3.813 | 2.250 | 2.500 |

Dimensions are nominal

20.3 Cubic Inch

| Part Number | Carton Quantity | "A" | "B" | "C" |
|-------------|-----------------|-------|-------|-------|
| EZ20SNW | 100 | 3.875 | 2.250 | 3.125 |

Dimensions are nominal

18 Cubic Inch

| Part Number | Carton Quantity | "A" | "B" | "C" |
|-------------|-----------------|-------|-------|-------|
| EZ18SNW | 100 | 3.875 | 2.250 | 2.875 |

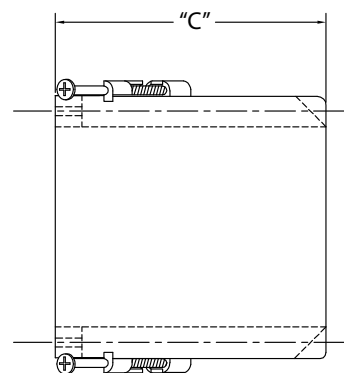
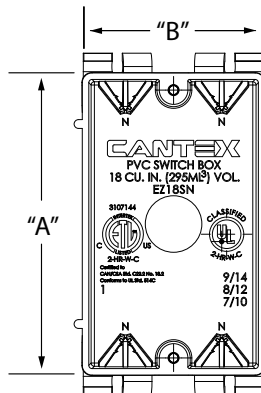
Dimensions are nominal

23 Cubic Inch

| Part Number | Carton Quantity | "A" | "B" | "C" |
|-------------|-----------------|-------|-------|-------|
| EZ23SNW | 100 | 3.875 | 2.259 | 3.500 |

Dimensions are nominal

EZ BOX® Single Gang Nail On Residential Box



Four clamps
Enhanced angled nails for quick mounting between studs.

18 Cubic Inch

| Part Number | Carton Quantity | "A" | "B" | "C" |
|-------------|-----------------|-------|-------|-------|
| EZ18SN | 100 | 3.700 | 2.250 | 2.840 |
| EZ18SNV | 25 | 3.700 | 2.250 | 2.840 |

Dimensions are nominal

20.3 Cubic Inch

| Part Number | Carton Quantity | "A" | "B" | "C" |
|-------------|-----------------|-------|-------|-------|
| EZ20SN | 100 | 3.700 | 2.250 | 3.130 |
| EZ20SNV | 25 | 3.700 | 2.250 | 3.130 |

Dimensions are nominal

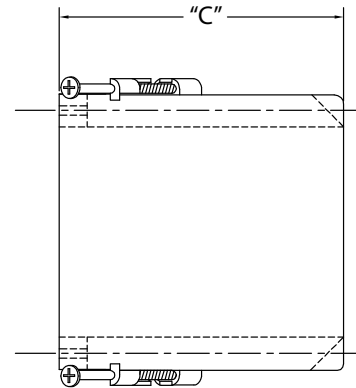
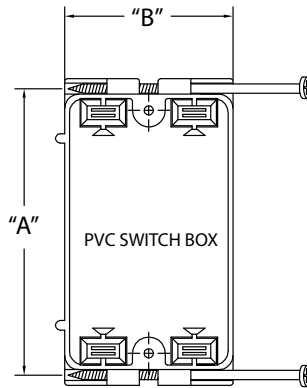
23 Cubic Inch

| Part Number | Carton Quantity | "A" | "B" | "C" |
|-------------|-----------------|-------|-------|-------|
| EZ23SN | 100 | 3.700 | 2.250 | 3.600 |
| EZ23SNV | 25 | 3.700 | 2.250 | 3.600 |

Dimensions are nominal

EZ Box® Residential Switch/Outlet Boxes

EZ BOX® Single Gang Screw Nail Residential Box



Four knockouts

Designed for use on aluminum, light to medium grade steel or wood studs. The sharp point, slotted head and threaded body allows for installation using a power screwdriver without having to pre-drill. It can just as easily be installed on wood studs using a hammer.

18 Cubic Inch

| Part Number | Carton Quantity | "A" | "B" | "C" |
|-------------|-----------------|-------|-------|-------|
| EZ18SNZ | 100 | 3.875 | 2.250 | 2.875 |

Dimensions are nominal

20.3 Cubic Inch

| Part Number | Carton Quantity | "A" | "B" | "C" |
|-------------|-----------------|-------|-------|-------|
| EZ20SNZ | 100 | 3.875 | 2.250 | 3.125 |

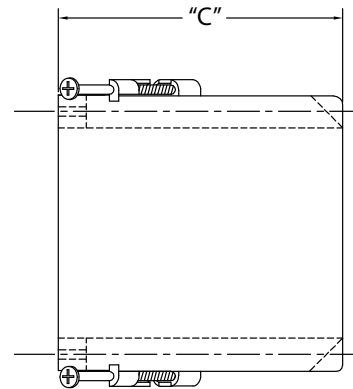
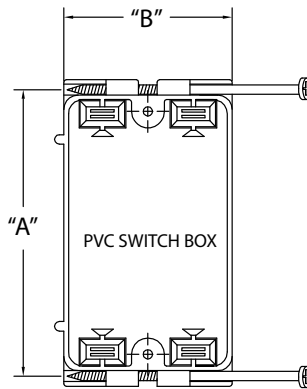
Dimensions are nominal

23 Cubic Inch

| Part Number | Carton Quantity | "A" | "B" | "C" |
|-------------|-----------------|-------|-------|-------|
| EZ23SNZ | 100 | 3.875 | 2.259 | 3.500 |

Dimensions are nominal

EZ BOX® Single Gang Nail On Residential Box with Express Clip



Four knockouts

The Express Clip® is designed to provide EZ installation of electrical devices. With a hammer, tap the device screw. Turn the screw an approximate quarter turn for a quick, secure installation.

18z Cubic Inch

| Part Number | Carton Quantity | "A" | "B" | "C" |
|-------------|-----------------|-------|-------|-------|
| EZ18SNU | 100 | 3.875 | 2.250 | 2.875 |

Dimensions are nominal

20.3 Cubic Inch

| Part Number | Carton Quantity | "A" | "B" | "C" |
|-------------|-----------------|-------|-------|-------|
| EZ20SNU | 100 | 3.875 | 2.250 | 3.125 |

Dimensions are nominal

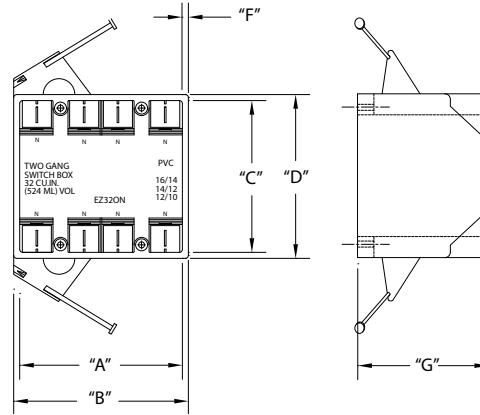
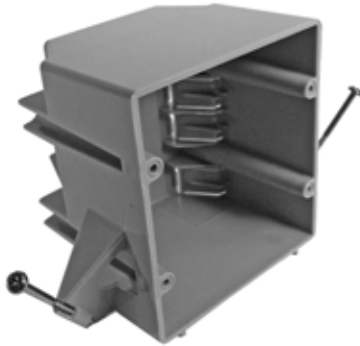
23 Cubic Inch

| Part Number | Carton Quantity | "A" | "B" | "C" |
|-------------|-----------------|-------|-------|-------|
| EZ23SNU | 100 | 3.875 | 2.259 | 3.500 |

Dimensions are nominal

EZ Box® Residential Switch/Outlet Boxes

EZ BOX® Two Gang Nail On Residential Box



Eight knockouts

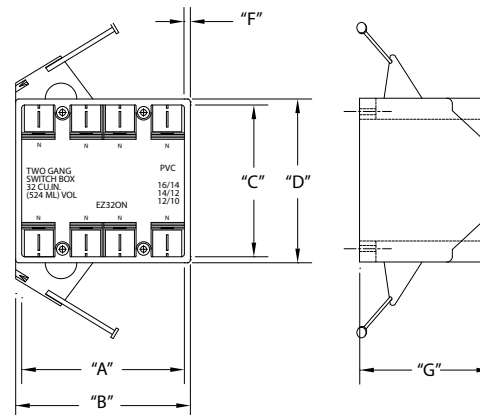
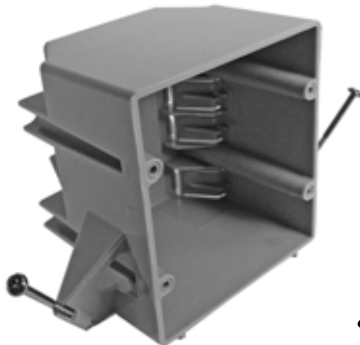
Enhanced angled nails for quick mounting between studs.

32 Cubic Inch

| Part Number | Carton Quantity | "A" | "B" | "C" | "D" | "E" | "F" | "G" |
|-------------|-----------------|-------|-------|-------|-------|------|-------|-------|
| EZ32DN | 50 | 3.813 | 3.938 | 3.500 | 3.688 | .094 | 3.063 | 3.063 |

Dimensions are nominal

EZ BOX® Two Gang Residential Box with Screw Nail



Eight knockouts

Enhanced angled nails for quick mounting between studs.

Designed for use on aluminum, light to medium grade steel or wood studs.

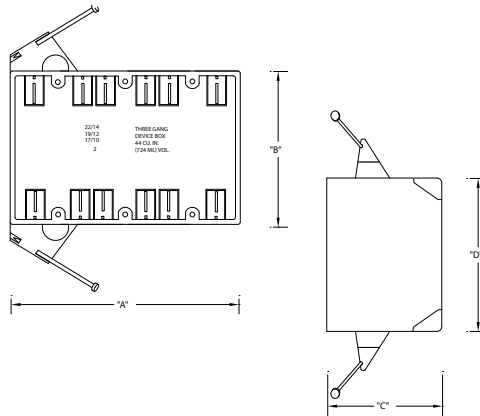
32 Cubic Inch

| Part Number | Carton Quantity | "A" | "B" | "C" | "D" | "E" | "F" | "G" |
|-------------|-----------------|-------|-------|-------|-------|------|-------|-------|
| EZ32DNZ | 50 | 3.813 | 3.938 | 3.500 | 3.688 | .094 | 3.063 | 3.063 |

Dimensions are nominal

EZ Box® Residential Switch/Outlet Boxes

EZ BOX® Three Gang Residential Box



Eight knockouts

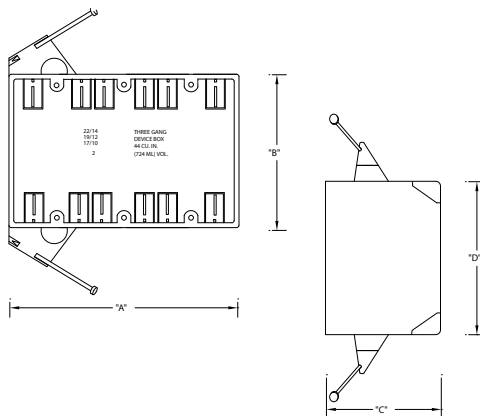
Enhanced angled nails for quick mounting between studs.

44 Cubic Inch

| Part Number | Carton Quantity | "A" | "B" | "C" | "D" |
|-------------|-----------------|-------|-------|-------|-------|
| EZ44TN | 50 | 5.800 | 3.700 | 2.750 | 3.700 |

Dimensions are nominal

EZ BOX® Three Gang Residential Box with Screw Nail



Eight knockouts

Enhanced angled nails for quick mounting between studs.

Designed for use on aluminum, light to medium grade steel or wood studs.

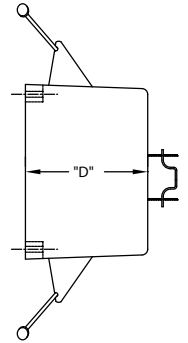
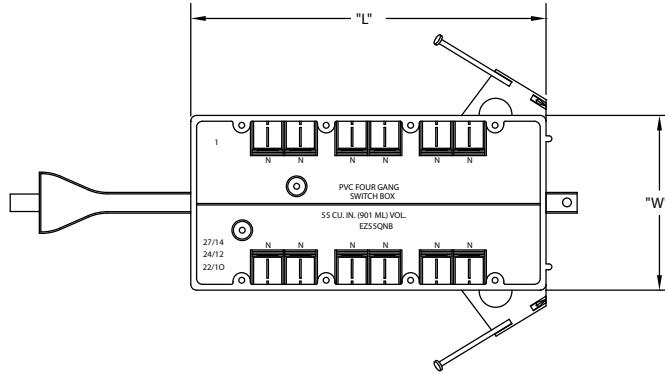
44 Cubic Inch

| Part Number | Carton Quantity | "A" | "B" | "C" | "D" |
|-------------|-----------------|-------|-------|-------|-------|
| EZ44TNZ | 50 | 5.800 | 3.700 | 2.750 | 3.700 |

Dimensions are nominal

EZ Box® Residential Switch/Outlet Boxes

EZ BOX® Four Gang Residential Box with Nails and Adjustable Bracket



Twelve knockouts and adjustable bracket for quick, secure mounting between studs

55 Cubic Inch

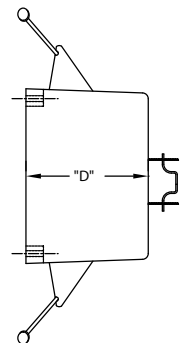
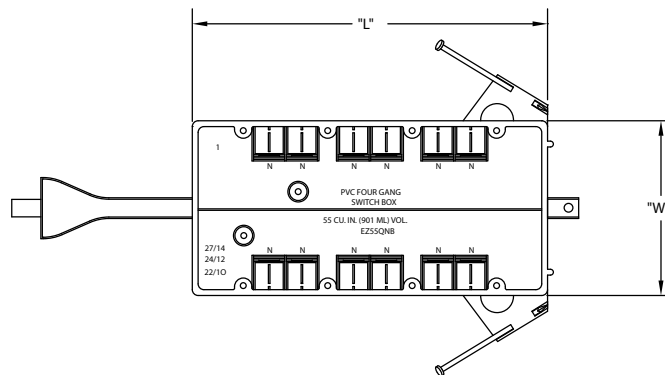
| Part Number | Carton Quantity | "L" | "W" | "D" |
|-------------|-----------------|-------|-------|-------|
| EZ55QNB | 25 | 7.625 | 3.625 | 2.625 |

Dimensions are nominal

EZ BOX® Four Gang Residential Box with Screw Nail and Adjustable Bracket



Twelve clamps, enhanced angled screw-nails and adjustable bracket provides easy, secure installation.



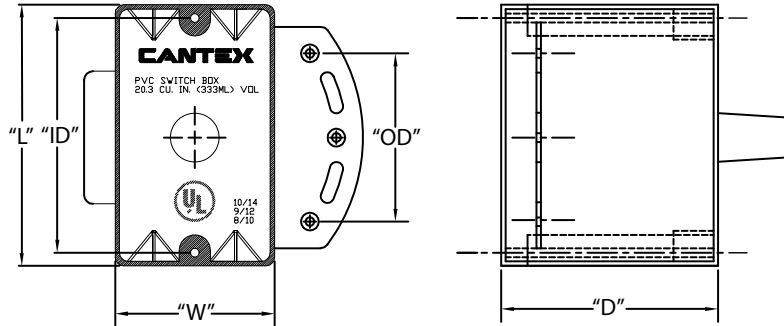
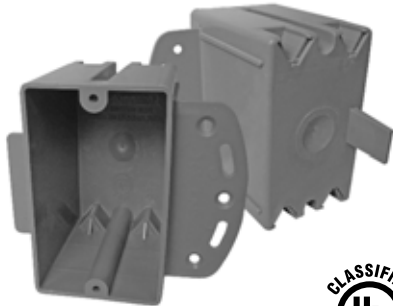
55 Cubic Inch

| Part Number | Carton Quantity | "L" | "W" | "D" |
|-------------|-----------------|-------|-------|-------|
| EZ55QNBZ | 25 | 7.625 | 3.625 | 2.625 |

Dimensions are nominal

EZ Box® Residential Switch/Outlet Boxes

EZ BOX® Single Gang Steel Stud Residential Box



Four Clamps

Bracketed for steel stud installations
Bracket is molded with the box.

20.3 Cubic Inch

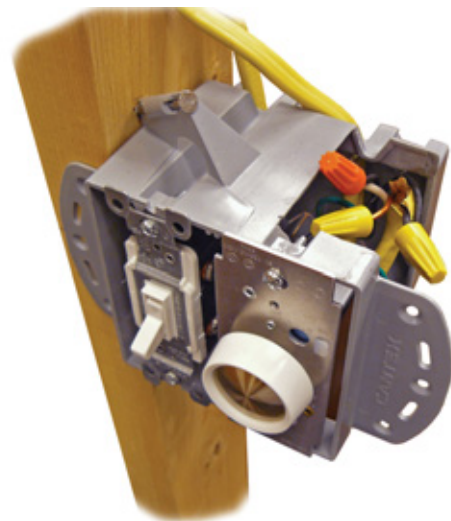
| Part Number | Carton Quantity | "L" | "ID" | "OD" | "W" |
|-------------|-----------------|-------|-------|-------|-------|
| EZ20SB | 100 | 3.688 | 3.250 | 2.875 | 2.250 |

Dimensions are nominal

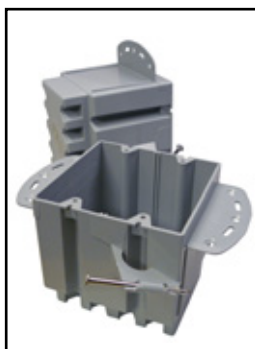
EZ BOX® Multi-Gang Residential Box for Steel or Wood Studs

MULTI-GANG BOX

- Largest PVC cubic inch box on the market
- Accepts larger wiring devices; (i.e. dimming switches, fan switches, FGCI, motion sensors)
- Allows for additional wire capacity
- Can be used with wood or steel studs
- Dividers are available to partition boxes for installation of low voltage/communication applications
- Contractor preferred clamps lock wiring in place



48 cu. in.
TWO GANG BOX
EZ48DN



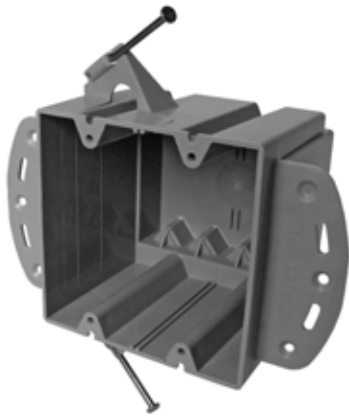
Contractor Preferred Clamp



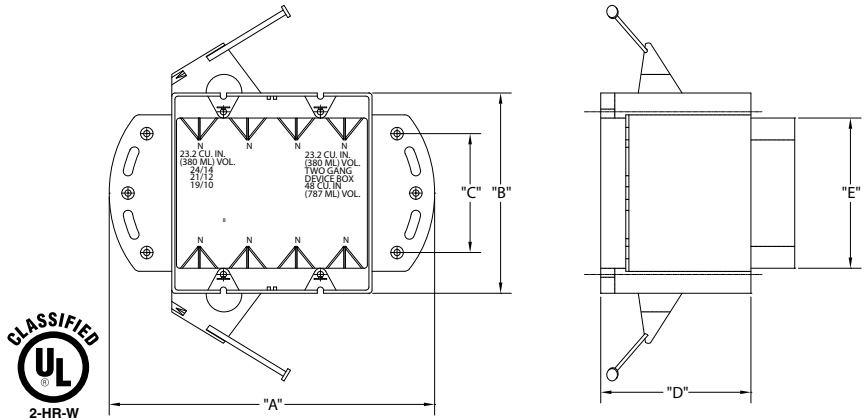
74 cu. in.
THREE GANG BOX
EZ74TN

EZ Box® Residential Switch/Outlet Boxes

EZ BOX® Two Gang Residential Box for Steel or Wood Studs



Six clamps
Bracketed for steel stud installations
Bracket is molded with the box.

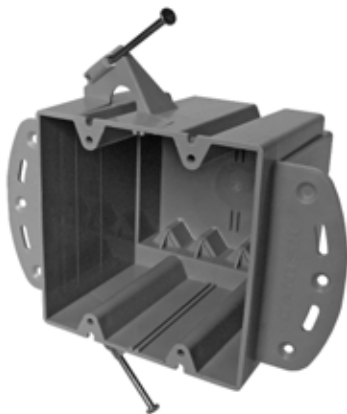


48 Cubic Inch

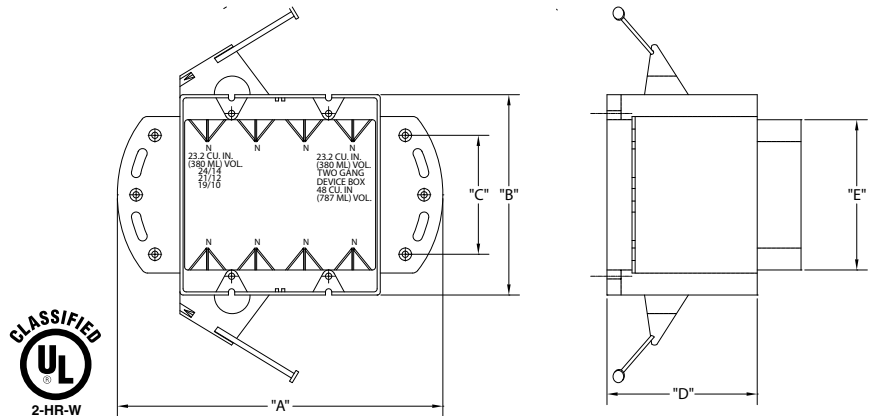
| Part Number | Carton Quantity | "A" | "B" | "C" | "D" | "E" |
|-------------|-----------------|-------|-------|-------|-------|-------|
| EZ48DN | 50 | 6.688 | 4.000 | 2.625 | 3.000 | 2.875 |

Dimensions are nominal

EZ BOX® Two Gang Residential Box for Steel or Wood Studs with Screw Nail



Six clamps
Bracketed for steel stud installations
Bracket is molded with the box.



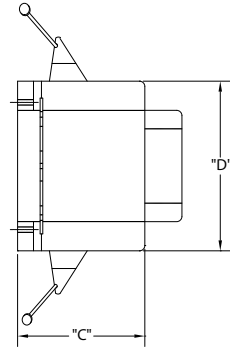
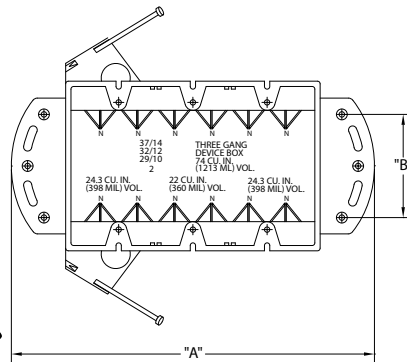
48 Cubic Inch

| Part Number | Carton Quantity | "A" | "B" | "C" | "D" | "E" |
|-------------|-----------------|-------|-------|-------|-------|-------|
| EZ48DNZ | 50 | 6.688 | 4.000 | 2.625 | 3.000 | 2.875 |

Dimensions are nominal

EZ Box® Residential Switch/Outlet Boxes

EZ BOX® Three Gang Residential Box for Steel or Wood Studs



Twelve clamps

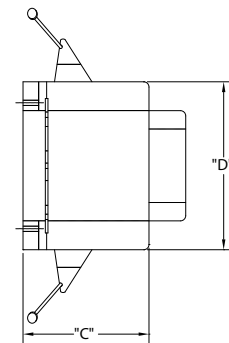
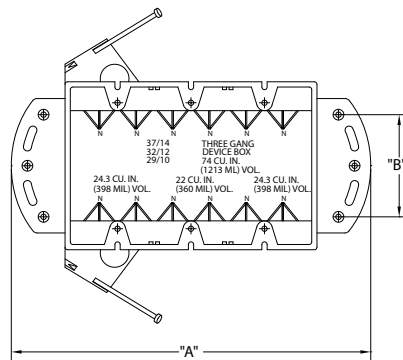
Bracketed for steel stud installations
Bracket is molded with the box.

74 Cubic Inch

| Part Number | Carton Quantity | "A" | "B" | "C" | "D" |
|-------------|-----------------|-------|-------|-------|-------|
| EZ74TN | 50 | 8.375 | 2.625 | 3.000 | 4.000 |

Dimensions are nominal

EZ BOX® Three Gang Residential Box for Steel or Wood Studs with Screw Nail



Twelve clamps

Bracketed for steel stud installations
Bracket is molded with the box.

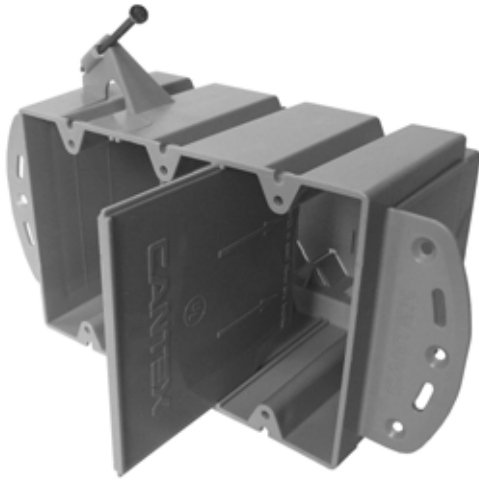
74 Cubic Inch

| Part Number | Carton Quantity | "A" | "B" | "C" | "D" |
|-------------|-----------------|-------|-------|-------|-------|
| EZ74TNZ | 50 | 8.375 | 2.625 | 3.000 | 4.000 |

Dimensions are nominal

EZ Box® Residential Switch/Outlet Boxes

EZ BOX® Non-conductive Divider for Use with Low Voltage Devices

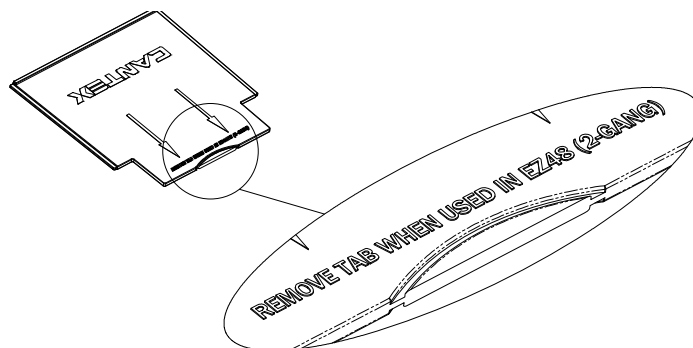
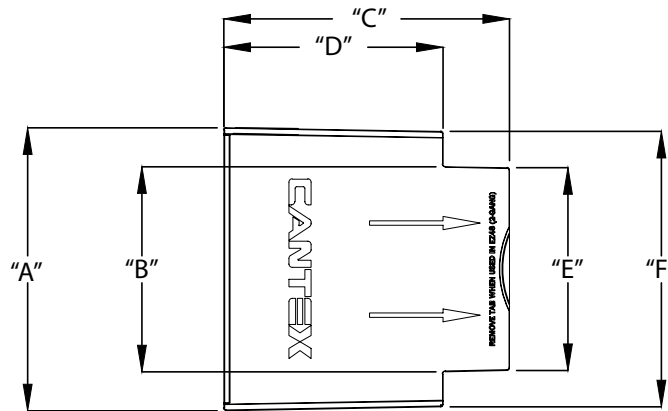


Used to divide multi-gang, maximum capacity boxes to allow installation of communication device with standard switch or outlet. Fits two or three gang maximum capacity EZ Box®.

Low Voltage Divider

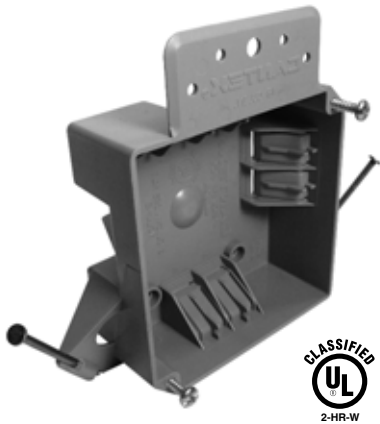
| Part Number | Carton Quantity | "A" | "B" | "C" | "D" | "E" | "F" |
|-------------|-----------------|-------|-------|-------|-------|-------|-------|
| EZLVD | 50 | 3.834 | 2.778 | 3.870 | 2.970 | 2.749 | 3.732 |

Dimensions are nominal



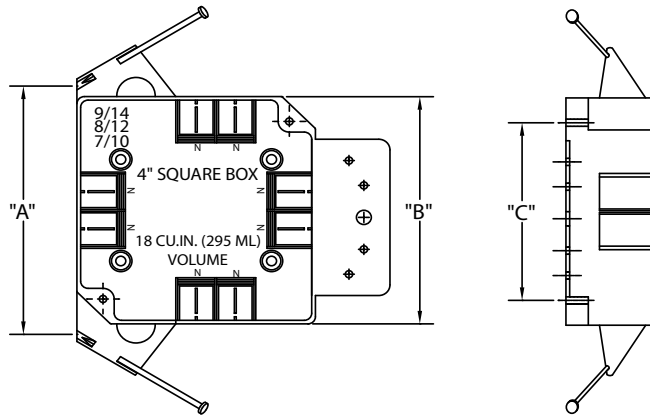
EZ Box® Residential Switch/Outlet Boxes

EZ Box® Four Square Nonmetallic Box - 18 Cubic Inch



Enhanced angled nails for quick mounting between studs or use the flange mounting molded with the box.

Eight clamps

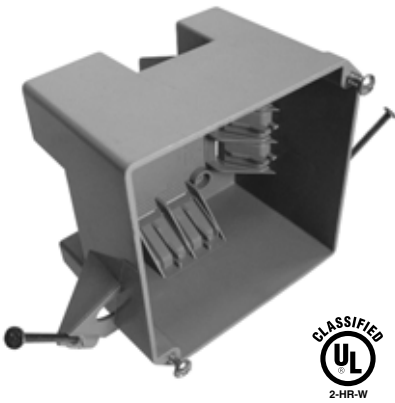


18 Cubic Inch

| Part Number | Carton Quantity | "A" | "B" | "C" |
|-------------|-----------------|-------|-------|-------|
| EZ18XN | 75 | 4.438 | 4.000 | 3.375 |

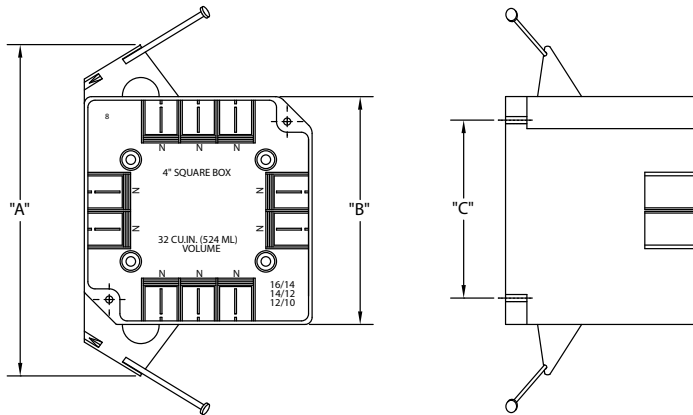
Dimensions are nominal

EZ Box® Four Square Nonmetallic Box - 32 Cubic Inch



Enhanced angled nails for quick mounting between studs.

Ten clamps



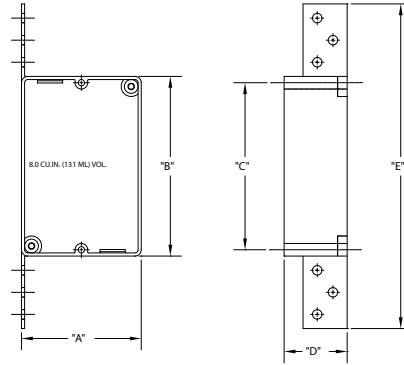
32 Cubic Inch

| Part Number | Carton Quantity | "A" | "B" | "C" |
|-------------|-----------------|-------|-------|-------|
| EZ32XN | 75 | 6.125 | 4.000 | 4.750 |

Dimensions are nominal

EZ Box® Residential Switch/Outlet Boxes

Shallow EZ Box® - Bracketed

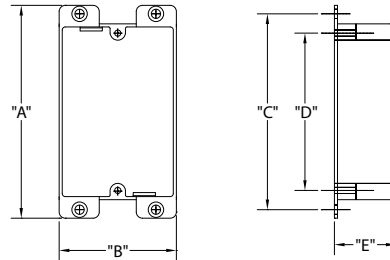
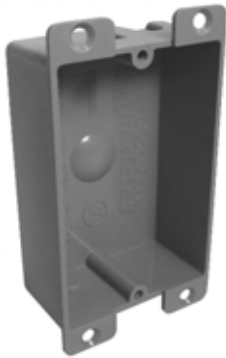


8 Cubic Inch

| Part Number | Carton Quantity | "A" | "B" | "C" | "D" | "E" |
|-------------|-----------------|-------|-------|-------|-------|-------|
| EZ08SB | 25 | 2.375 | 3.563 | 3.313 | 1.250 | 6.438 |

Dimensions are nominal

Shallow EZ Box® - Flanged (Old Work)

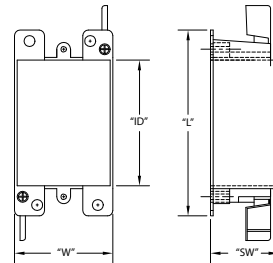


8 Cubic Inch

| Part Number | Carton Quantity | "A" | "B" | "C" | "D" | "E" |
|-------------|-----------------|-------|-------|-------|-------|-------|
| EZ08SF | 75 | 4.250 | 2.375 | 3.875 | 3.250 | 1.250 |

Dimensions are nominal

EZ Box® Nonmetallic Communications Box



14 Cubic Inch

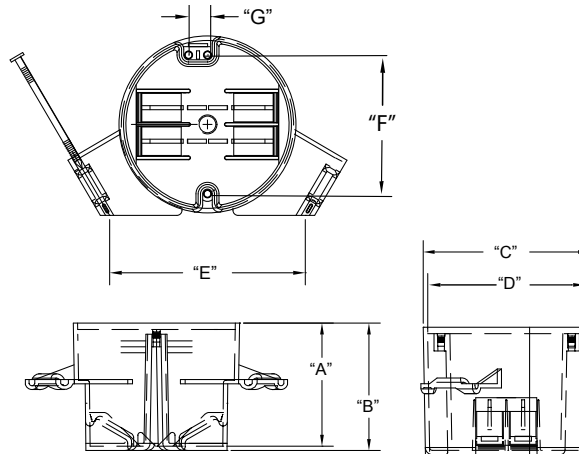
| Part Number | Carton Quantity | "L" | "W" | "SW" | "ID" |
|-------------|-----------------|-------|------|-------|-------|
| EZ10SOLV | 25 | 4.125 | .125 | 1.563 | 2.875 |

Dimensions are nominal

EZ Box[®] Residential Ceiling Boxes

EZ Box[®] Nonmetallic Ceiling Boxes

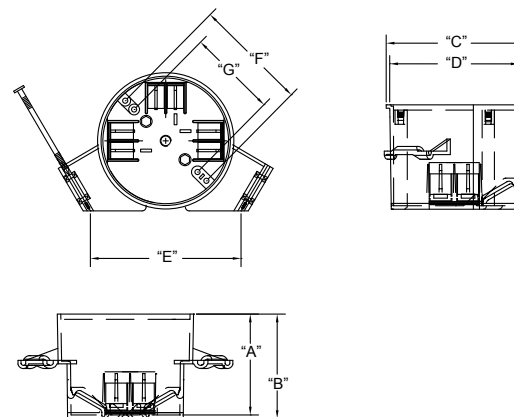
- Enhanced angled nails for quick mounting between studs.
- Six clamps
- 2 hour fire rated
- Maximum fixture weight = 50 pounds
- Not for installation of ceiling fan



18 Cubic Inch

| Part Number | Carton Quantity | "A" | "B" | "C" | "D" | "E" | "F" | "G" |
|-------------|-----------------|-------|-------|-------|-------|------|-------|------|
| EZ18CN | 75 | 2.590 | 2.680 | 3.500 | 3.330 | .388 | 2.750 | .380 |

Dimensions are nominal



20 Cubic Inch

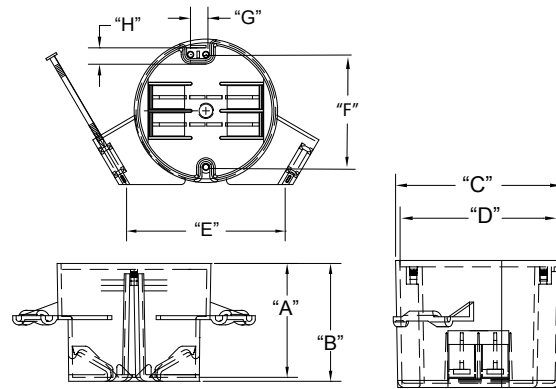
| Part Number | Carton Quantity | "A" | "B" | "C" | "D" | "E" | "F" | "G" |
|-------------|-----------------|-------|-------|-------|-------|-------|-------|-------|
| EZ20CN | 75 | 2.230 | 2.300 | 3.500 | 2.830 | 3.830 | 3.500 | 2.750 |

Dimensions are nominal

EZ Box® Residential Ceiling Boxes

EZ Box® Nonmetallic Ceiling Boxes with Ground Lug

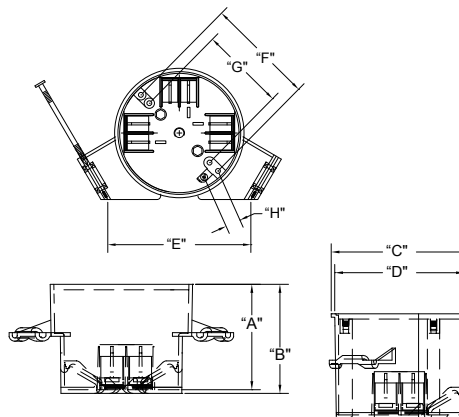
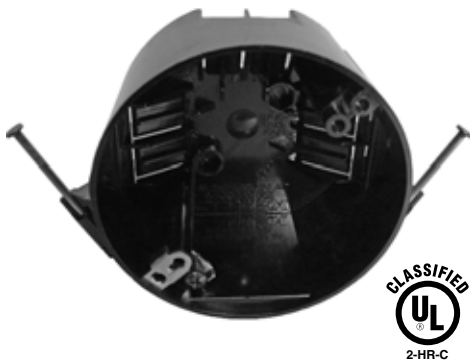
- Enhanced angled nails for quick mounting between studs.
- Six clamps
- 2 hour fire rated
- Maximum fixture weight = 50 pounds
- Not for installation of ceiling fan



18 Cubic Inch

| Part Number | Carton Quantity | "A" | "B" | "C" | "D" | "E" | "F" | "G" | "H" |
|-------------|-----------------|-------|-------|-------|-------|------|-------|------|------|
| EZ18CNG | 75 | 2.590 | 2.680 | 3.500 | 3.330 | .388 | 2.750 | .380 | .440 |

Dimensions are nominal



20 Cubic Inch

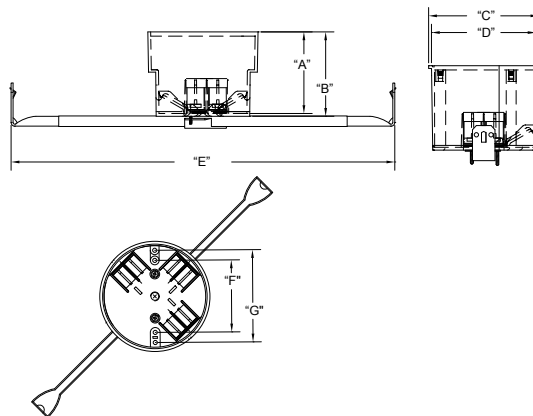
| Part Number | Carton Quantity | "A" | "B" | "C" | "D" | "E" | "F" | "G" | "H" |
|-------------|-----------------|-------|-------|-------|-------|-------|-------|-------|------|
| EZ20CNG | 75 | 2.230 | 2.300 | 3.500 | 2.830 | 3.830 | 3.500 | 2.750 | .450 |

Dimensions are nominal

EZ Box® Residential Ceiling Boxes

EZ Box® Nonmetallic Ceiling Boxes with Bar Hanger

- Enhanced angled nails for quick mounting between studs.
- Six clamps
- 2 hour fire rated
- Maximum fixture weight = 50 pounds
- Not for installation of ceiling fan



20 Cubic Inch

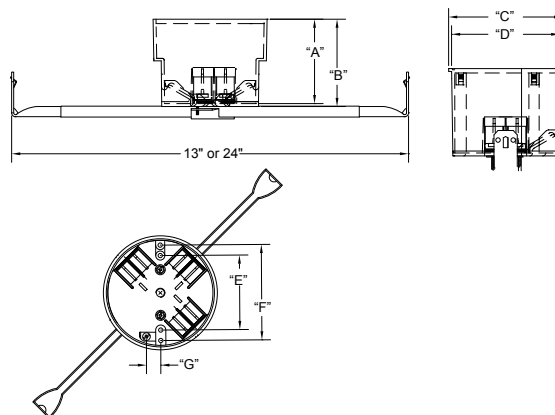


| Part Number | Carton Quantity | "A" | "B" | "C" | "D" | "E" | "F" | "G" |
|-------------|-----------------|-------|-------|-------|-------|----------|-------|-------|
| EZ20CH | 75 | 2.230 | 2.300 | 3.500 | 2.260 | 14 to 23 | 2.750 | 3.500 |

Dimensions are nominal

EZ Box® Nonmetallic Ceiling Boxes with Bar Hanger and Ground Lug

- Enhanced angled nails for quick mounting between studs.
- Six clamps
- 2 hour fire rated
- Maximum fixture weight = 50 pounds
- Not for installation of ceiling fan



20 Cubic Inch

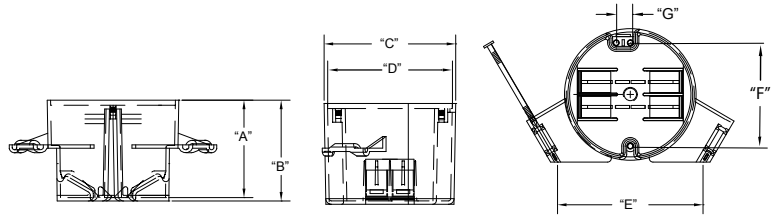


| Part Number | Carton Quantity | "A" | "B" | "C" | "D" | "E" | "F" | "G" |
|-------------|-----------------|-------|-------|-------|-------|-------|-------|------|
| EZ20CHG | 75 | 2.230 | 2.300 | 3.500 | 2.260 | 2.750 | 3.500 | .440 |

Dimensions are nominal

EZ Box® Residential Alarm Boxes

EZ Box® Nonmetallic EZ Box® Red Alarm Ceiling Boxes



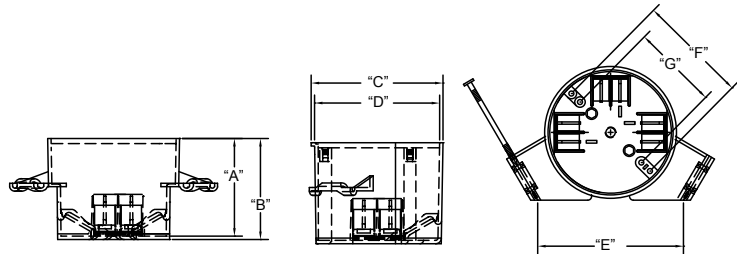
18 Cubic Inch

| Part Number | Carton Quantity | "A" | "B" | "C" | "D" | "E" | "F" | "G" |
|-------------|-----------------|-------|-------|-------|-------|------|-------|------|
| EZ18CNA | 75 | 2.590 | 2.680 | 3.500 | 3.330 | .388 | 2.750 | .380 |

Dimensions are nominal

For fire alarm or smoke detector installations. Red in color for easy identification. Nails angled for quick mounting between rafters.

2 hour fire rated
Maximum fixture weight = 50 pounds
Not suitable for ceiling fan installation.

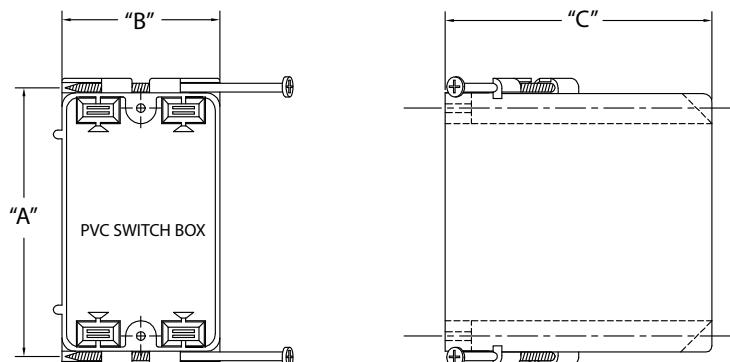


20 Cubic Inch

| Part Number | Carton Quantity | "A" | "B" | "C" | "D" | "E" | "F" | "G" |
|-------------|-----------------|-------|-------|-------|-------|-------|-------|-------|
| EZ20CNA | 75 | 2.230 | 2.300 | 3.500 | 2.830 | 3.830 | 3.500 | 2.750 |

Dimensions are nominal

EZ Box® Red Single Gang Alarm Box



Four knockouts

For fire alarm or smoke detector installations. Red in color for easy identification. Nails are angled for quick mounting between studs.

2 hour fire rated

18 Cubic Inch

| Part Number | Carton Quantity | "A" | "B" | "C" |
|-------------|-----------------|-------|-------|-------|
| EZ18SNA | 100 | 3.875 | 2.250 | 2.875 |

Dimensions are nominal

20.3 Cubic Inch

| Part Number | Carton Quantity | "A" | "B" | "C" |
|-------------|-----------------|-------|-------|-------|
| EZ20SNA | 100 | 3.875 | 2.250 | 3.125 |

Dimensions are nominal

23 Cubic Inch

| Part Number | Carton Quantity | "A" | "B" | "C" |
|-------------|-----------------|-------|-------|-------|
| EZ23SNA | 100 | 3.875 | 2.259 | 3.500 |

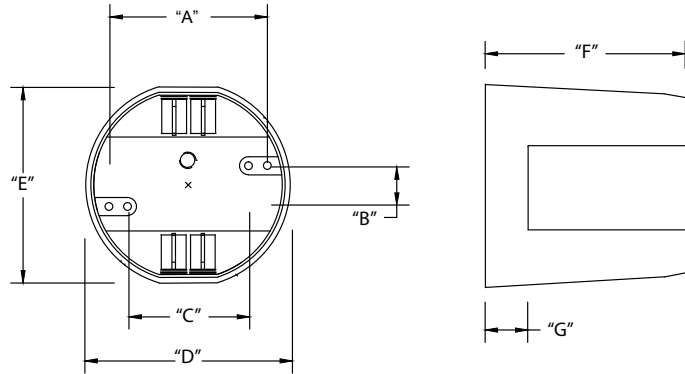
Dimensions are nominal

EZ Box® Residential Ceiling Fan Boxes

EZ Box® Nonmetallic Ceiling Fan Boxes



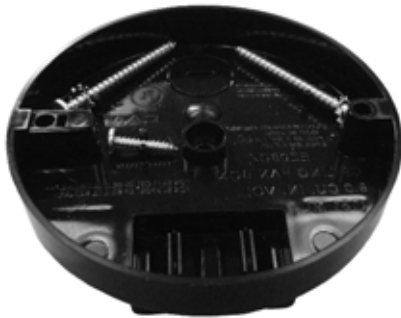
Accommodates 3-1/2" and 2-9/16" mounting. Supports up to 70 lbs. fan weight or 200 lbs. fixture weight



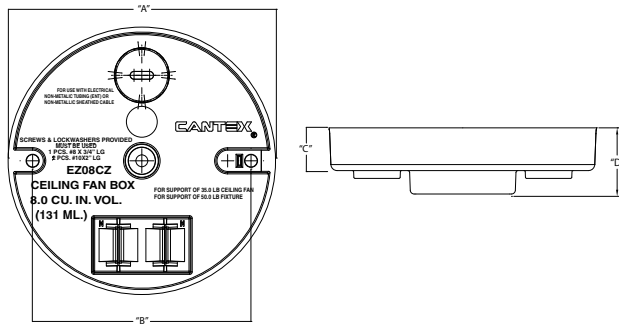
12 Cubic Inch

| Part Number | Carton Quantity | "A" | "B" | "C" | "D" | "E" | "F" | "G" |
|-------------|-----------------|--------|--------|--------|--------|--------|--------|-------|
| EZ12CF | 24 | 3.063" | 1.063" | 2.500" | 4.000" | 3.875" | 2.625" | .500" |

Dimensions are nominal



Supports up to 35 lbs. fan weight or 50 lbs. fixture weight.



8 Cubic Inch

| Part Number | Carton Quantity | "A" | "B" | "C" | "D" |
|-------------|-----------------|-------|-------|------|-------|
| EZ08CZ | 24 | 4.250 | 3.500 | .688 | 1.000 |

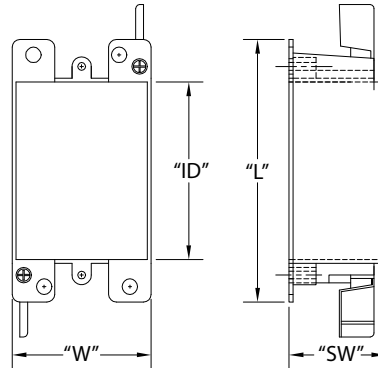
Dimensions are nominal

EZ Box® Residential Old Work Switch/Outlet Boxes

EZ Box® Single Gang Old Work Residential Box



Four knockouts
2 EZ Mount retainers
2 hour fire rated



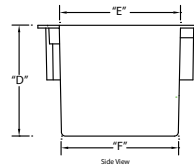
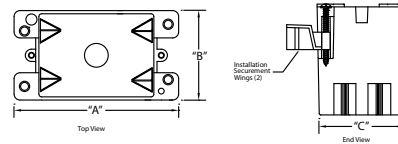
14 Cubic Inch

| Part Number | Carton Quantity | "L" | "W" | "SW" | "ID" |
|-------------|-----------------|-------|-------|-------|-------|
| EZ14SO | 50 | 4.063 | 2.250 | 1.563 | 2.875 |

Dimensions are nominal



Four clamps
2 EZ Mount retainers
2 hour fire rated



21 Cubic Inch

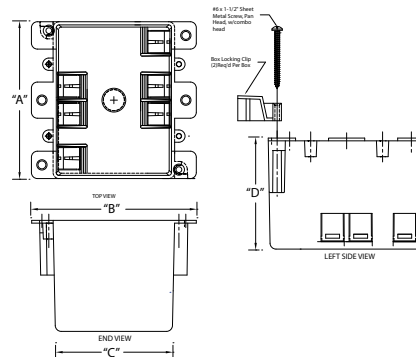
| Part Number | Carton Quantity | "A" | "B" | "C" | "D" | "E" | "F" |
|-------------|-----------------|-------|-------|-------|-------|-------|-------|
| EZ21SO | 50 | 4.100 | 2.300 | 2.200 | 3.700 | 3.500 | 3.000 |

Dimensions are nominal

EZ Box® Two Gang Residential Old Work Box



Six knockouts
2 EZ Mount retainers
2 hour fire rated



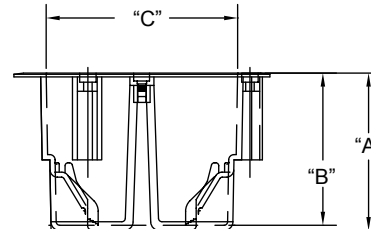
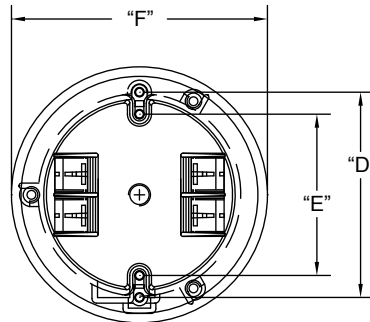
25 Cubic Inch

| Part Number | Carton Quantity | "A" | "B" | "C" | "D" |
|-------------|-----------------|-------|-------|-------|-------|
| EZ25DO | 50 | 4.000 | 4.188 | 2.938 | 2.875 |

Dimensions are nominal

EZ Box® Residential Old Work Ceiling Boxes

EZ Box® Round Old Work Residential Box

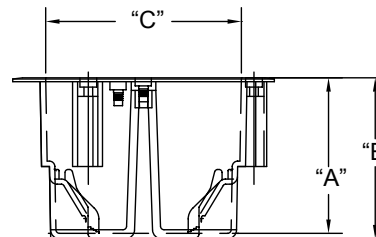
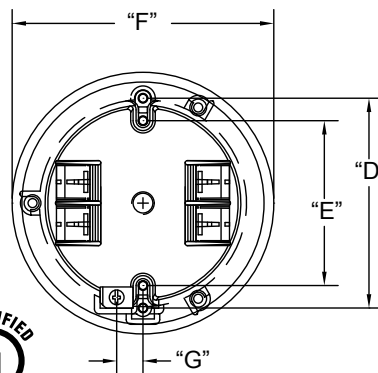


Four knockouts
 3 EZ Mount retainers
 2 hour fire rated
 Maximum fixture weight = 6 pounds
 Not suitable for fixture support or ceiling fan installation.

18 Cubic Inch

| Part Number | Carton Quantity | "A" | "B" | "C" | "D" | "E" | "F" |
|-------------|-----------------|-------|-------|-------|-------|-------|-------|
| EZ18CO | 100 | 2.680 | 5.600 | 3.250 | 3.500 | 2.750 | 4.400 |

Dimensions are nominal



Four knockouts
 3 EZ Mount retainers
 2 hour fire rated
 Maximum fixture weight = 6 pounds
 Not suitable for fixture support or ceiling fan installation.

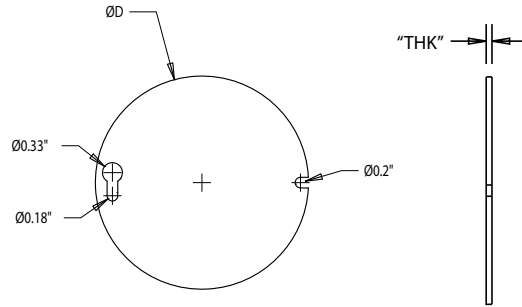
18 Cubic Inch with Ground Lug

| Part Number | Carton Quantity | "A" | "B" | "C" | "D" | "E" | "F" | "G" |
|-------------|-----------------|-------|-------|-------|-------|-------|-------|------|
| EZ18COG | 100 | 2.680 | 5.600 | 3.250 | 3.500 | 2.750 | 4.400 | .500 |

Dimensions are nominal

EZ Box® Residential Boxes Blank Covers

EZ Box® Nonmetallic Electrical Blank Covers

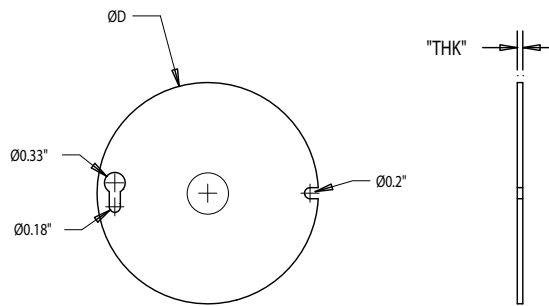


4" Round Blank Cover



| Part Number | Carton Quantity | "OD" | "THK" |
|-------------|-----------------|--------|-------|
| EZYKL | 100 | 4.000" | .125" |

Dimensions are nominal

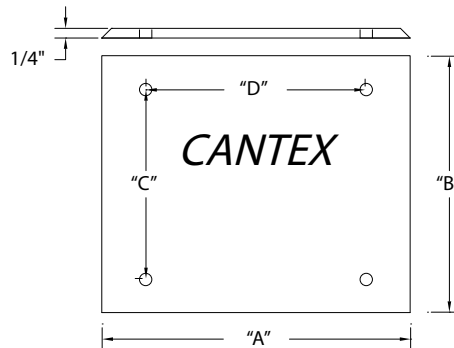


4" Round Blank Cover with 1/2" Knockout



| Part Number | Carton Quantity | "OD" | "THK" |
|-------------|-----------------|--------|-------|
| EZYL1 | 100 | 4.000" | .125" |

Dimensions are nominal



4" Two Gang Blank Cover

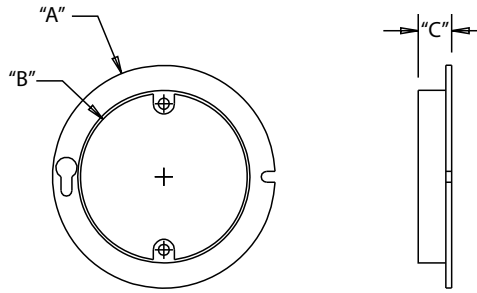


| Part Number | Carton Quantity | "A" | "B" | "C" | "D" |
|-------------|-----------------|--------|--------|--------|--------|
| EZXKL | 100 | 4.875" | 4.875" | 3.250" | 3.500" |

Dimensions are nominal

EZ Box® Residential Boxes

EZ Box® Nonmetallic Electrical Plaster Ring

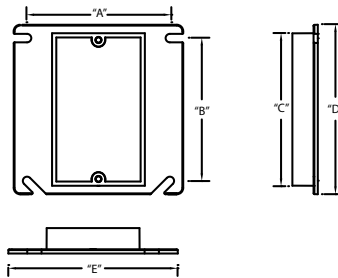


4" Round Plaster Ring

| Part Number | Rise | Carton Quantity | "A" | "B" | "C" |
|-------------|------|-----------------|-------|-------|------|
| EZ03YC | 1/2" | 100 | 4.000 | 3.000 | .500 |
| EZ04YC | 5/8" | 100 | 4.000 | 3.000 | .625 |

Dimensions are nominal

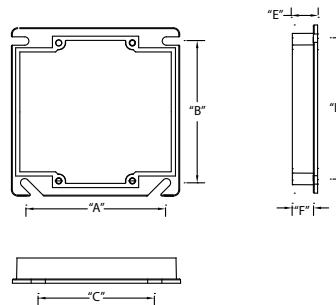
EZ Box® Nonmetallic Electrical Covers with Riser



Single Gang Cover with Riser

| Part Number | Rise | Carton Quantity | "A" | "B" | "C" | "D" | "E" |
|-------------|-------|-----------------|-------|-------|-------|-------|-------|
| EZ03SXA | 1/2 | 100 | 3.438 | 3.375 | 3.625 | 4.000 | 4.000 |
| EZ04ES | 5/8 | 50 | 3.438 | 3.375 | 3.625 | 4.000 | 4.000 |
| EZ05ES | 3/4 | 50 | 3.438 | 3.375 | 3.625 | 4.000 | 4.000 |
| EZ06ES | 1 | 40 | 3.438 | 3.375 | 3.625 | 4.000 | 4.000 |
| EZ08ES | 1-1/4 | 30 | 3.438 | 3.375 | 3.625 | 4.000 | 4.000 |

Dimensions are nominal



Two Gang Cover with Riser

| Part Number | Rise | Carton Quantity | "A" | "B" | "C" | "D" | "E" | "F" |
|-------------|------|-----------------|-------|-------|-------|-------|------|------|
| EZ06DXA | 1/2 | 75 | 3.313 | 3.375 | 2.750 | 3.375 | .625 | .500 |
| EZ08ED | 5/8 | 50 | 3.375 | 3.375 | 3.360 | 3.580 | .725 | .625 |
| EZ09ED | 3/4 | 50 | 3.375 | 3.375 | 3.360 | 3.586 | .850 | .750 |

Dimensions are nominal

CANTEX EZ BOX® CROSS REFERENCE

| CANTEX PART NO. | DESCRIPTION | T&B / CARLON PART NO. | T&B / BOWERS PART NO. | T&B / CHALLENGER PART NO. | ALLIED PART NO. | RACO PART NO. | SLATER (P&S) PART NO. | THEPITT PART NO. |
|-----------------|---|-----------------------|-----------------------|---------------------------|-----------------|---------------|-----------------------|------------------|
| EZ08SF | 8 CUBIC INCH FLANGED SHALLOW BOX | B108R | | | | | | |
| EZ08SB | 8 CUBIC INCH BRACKETED SHALLOW BOX | B108B | | | | | | |
| EZ14SO | 14 CUBIC INCH SINGLE GANG OLD WORK BOX | B114R | 114-0W | 6070-4 | 9363-EW | 7887 | S1-18-W | 1690 |
| EZ16SN | 16 CUBIC INCH SINGLE GANG NAIL-ON BOX | B116A | 116N | SN-16 | 1085-N | 7355 | P1-16-R | |
| EZ18SN | 18 CUBIC INCH SINGLE GANG NAIL-ON BOX | B118A | 118N | SN-18 | 1086-N | 7302 | P1-18-R | 1800 |
| EZ20SN | 20 CUBIC INCH SINGLE GANG NAIL-ON BOX | B120A | 120N | 1050 | 1088-N | 7820 | | |
| EZ29SN | 23 CUBIC INCH SINGLE GANG NAIL-ON BOX | B122A | | | | | | |
| EZ32DN | 32 CUBIC INCH TWO GANG NAIL-ON BOX | B232A | 234N | SN-232 | 2300-NC4 | 7835 | P2-35-RAC | 3600 |
| EZ18CO | 18 CUBIC INCH OLD WORK CEILING BOX | B618R | | | | | | |
| EZ18COG | 18 CUBIC INCH OLD WORK CEILING BOX W/GRD LUG | | | | | | | |
| EZ25DO | 25 CUBIC INCH TWO GANG OLD WORK BOX | B225R | | 6062-4 | 9312-BWK | | S2-32-W | 3490 |
| EZ44TN | 44 CUBIC INCH THREE GANG NAIL-ON BOX | B344A | 345N | 1043-C | 3300-NC6 | 7846 | S3-54-RAC | 4600 |
| EZ32XN | 32 CUBIC INCH 4-SQUARE DEEP NAIL-ON BOX | B432A | 45-32N | 4000-N | 9343-NC2 | 7234 | S44-35-RAC | |
| EZ55QNB | 55 CUBIC INCH FOUR GANG NAIL ON & BRACKET | B455A | 4605B | 7074-BH | 3300-NBC4 | 7644 | S468-RAC | 6100 |
| EZ18XN | 18 CUBIC INCH 4-SQUARE SHALLOW NAIL-ON BOX | B418A | | SN-418 | 9340-C2 | 7218 | S4421-RAC | 1900 |
| EZ18CN | 18 CUBIC INCH CEILING BOX 3/0 NAIL-ON | B518A | 3R-16N | 3090-N | 9355-NC2 | 7118 | C1-18-RAC | 16310 |
| EZ18CNG | 18 CUBIC INCH CEILING BOX 3/0 NAIL-ON W/GRD LUG | B518P | 3R-16NGP | 3090-N-40 | 9335-NGC2 | 7918 | C1-19-RGAC | 16311 |
| EZ20CN | 20 CUBIC INCH CEILING BOX 4/0 NAIL-ON | B520A | 4R-20N | 4170-C | 9351-NC2 | 7163 | A1-20-RAC | |
| EZ20CNG | 20 CUBIC INCH CEILING BOX 4/0 NAIL ON W/GRD LUG | B520P | 4R-20NGP | 4170-C-40 | 9351-NGC2 | 7823 | S1-20-RGAC | 16110 |
| EZ20CH | 20 CUBIC INCH CEILING BOX W/14 1/4" -23 1/2" HANGER | B620H | 4R-20BH | 4070-94 | 9350-24C2 | 7335 | S1-20-HAC | 16117 / 16122 |
| EZ20CHG | 20 CUBIC INCH CEILING BOX W/4 1/4"-23 1/2" HANGER WITH GROUND LUG | B620HG | 4R-20BHP | 4070-94-40 | 9350-24GC2 | 7935 | S1-20-HGAC | 16118 / 16123 |
| EZK1 | 4" SQUARE 2 GANG BLANK COVER | A400 | 4S-B | *4041/4SPB | 9344 | | | |
| EZ035XA | 4" SQUARE SINGLE GANG SQUARE COVER W/1/2" RISER | A410 | 4S-1G | *4042-12 | | 7772 | RC1 | 1010 |
| EZ04ES | 4" SQUARE SINGLE GANG COVER WITH 5/8" RISER | A411 | | | | 7071 | | |
| EZ06ES | 4" SQUARE SINGLE GANG COVER WITH 3/4" RISER | A412 | | | | | | |
| EZ06ES | 4" SQUARE SINGLE GANG COVER WITH 1" RISER | A413 | | | | | | |
| EZ08ES | 4" SQUARE SINGLE GANG COVER WITH 1 1/4" RISER | A414 | | | | | | |
| EZ06DXA | 4" SQUARE 2 GANG COVER WITH 1/4" RISER | | | | | | | |
| EZ08ED | 4" SQUARE 2 GANG COVER WITH 5/8" RISER | A421 | | | | 7076 | | |
| EZ09ED | 4" SQUARE 2 GANG COVER WITH 3/4" RISER | A422 | | | | | | |
| EZ06DXA | 4" SQUARE 2 GANG SQUARE COVER W/1/2" RISER | A420 | 4S-2G | *4022-12 | | 7778 | 4SP1-214 | |
| EZ03YC | 4" ROUND PLASTER RING WITH 1/2" RISER | A471 | | | | | | |
| EZ04YC | 4" ROUND PLASTER RING WITH 5/8" RISER | A472 | | | | | | |
| EZYKL | 4" ROUND BLANK COVER | E460 | | | | | | |
| EZYL1 | 4" ROUND BLANK COVER WITH KNOCKOUT | A470D | | | | 7081 | | |
| EN18SB | 18 CUBIC INCH SINGLE GANG ENT BOX | A5881D/ | | | | 7050 | | |
| EN22DB | 22.5 CUBIC INCH 2 GANG ENT BOX | AA521DE | | | | 7053 | | |
| EN31DB | 31 CUBIC INCH 2 GANG ENT BOX | A5217DE | | | | 7054 | | |
| EN20CB | 20.3 CUBIC INCH ENT CEILING BOX | A615DE | | | | 7052 | | |
| EN20CH | 20.3 CUBIC INCH ENT CEILING BOX WITH HANGER | A615DH | | | | 7051 | | |

Installation Guidelines

Engineering & Design Information

Product Warranty

Authorized Distributor Policy

Conduit Installation Guidelines

Scope: For the purpose of general use and installation information, conduit is defined as a PVC tube in nominal sizes of ½” through 6”, to be used in non-pressure applications to provide containment of raceways for electrical power wire and cable, communications wiring or fiber optic cables. Conduit products are not intended for the transport of potable water, sewage or drain water, air or other gasses or corrosive liquids.

1.0 Transportation, Handling and Storage

1.1 Transportation: **CANTEX** conduit should be transported in modules or bundles in a straight and level position. When possible, larger diameter and heavy walled conduit should be loaded first on the truck or trailer when multiple modules must be loaded. Each vertical stack of modules should be secured with at least two nylon straps or slings at least 4” in width with only enough tightening pressure on the straps to ensure a secure load. Chains and metal strapping should be avoided to secure conduit loads to the transporting vehicle.

1.2 Handling: Conduit should be unloaded one module at a time with a fork lift or backhoe equipped with forks. If unloaded using slings, two slings should be used and positioned so that the center of gravity of the module is centered on the lifting equipment. Personnel on the ground around the unloading site should be kept clear of the load to prevent injury in the event of an equipment failure or shifting of the load. Do not push modules from the vehicle to the ground as damage to the conduit may result. Do not break bundles on the vehicle and allow the conduit to fall to the ground as personal injury or product damage may result.

1.3 Storage: Conduit should be stored in a straight and level position and stacks should not exceed 8 feet in height. Thin walled conduit or small modules of conduit should not be stacked over 6 feet in height. For short-term storage (up to 6 months), the conduit need not be covered for sunlight damage protection. For altitudes of 3-4,000 feet and longer term storage, coverage with an opaque tarp or UV resistant sheeting should be considered to prevent fading or color changing from UV exposure. The storage site should be as free as possible from dirt, dust or other airborne contaminants. The ends of the conduit modules should not be covered in order to allow air passage and prevent heat buildup within the modules. Internal module temperatures should not exceed 140°F. (60°C)

2.0 Installation

2.1 Preparation: The conduit should be clean and dry before installation is attempted. Dirt and dust or other contaminants should be wiped clean from the bell and spigot joint areas. When possible, the conduit temperature should be normalized to the ambient temperature or the expected service environment temperature before installation in order to minimize expansion or contraction difficulties with the project.

2.2 Cutting: PVC conduit should be cut to length using a hacksaw, fine toothed saw or a rotating pipe cutter. Rigid, smooth walled conduit up through 1” may be successfully cut with a shear type cutting tool. Corrugated EZ FLEX® ENT, Opti-Flex fiber optic conduit and Enviro-Flex liquid tight flexible conduit may also be cut with a knife or shear-type cutter. Larger pipe may require the use of a miter box to ensure square cuts. All cuts should be clean and square with the barrel of the conduit. Cut ends should be deburred with a pocket knife or rasp with no burrs remaining on the O.D. and I.D. of the conduit. A slight chamfering of the O.D. or I.D. cut end may be desirable to facilitate joining or to prevent cable damage and to facilitate rope pulling through the conduit.

3.0 Solvent Cement Joints

CAUTION: ALL PVC CEMENTS ARE HIGHLY FLAMMABLE AND SHOULD BE CONSIDERED AS HAZARDOUS MATERIALS. AVOID USING IN THE PRESENCE OF OPEN FLAME, ELECTRICAL SPARKS, WELDING OR LIT SMOKING MATERIAL. AVOID BREATHING CONCENTRATED FUMES AND PROVIDE ADEQUATE VENTILATION IN CONFINED AREAS. READ AND FOLLOW ALL PRECAUTIONS ON THE CEMENT CONTAINER. MATERIAL SAFETY DATA SHEETS ARE AVAILABLE UPON REQUEST FROM CANTEX INC. TELEPHONE (817) 215-7000 OR ON-LINE AT www.cantexinc.com

Conduit Installation Guidelines

3.1 Joint Requirements: There are two types of bell fits, interference fit or clearance fit, depending on the specification of the conduit to be used. An “interference fit” means that the spigot will not dry fit to the base of the bell and will lodge about two-thirds deep into the bell. A clearance fit means that the spigot will slide all the way to the base of the bell without application of cement. Interference fits, therefore are tighter and provide watertight joints easily; clearance fits will leave small gaps between the inside of the bell and the spigot and may require extra in jointing if watertight joints are required.

3.2 Solvent Cement: Select the proper type of cement to fit the job requirements. The cement should meet the requirements of ASTM D 2564. Three types of cement are available, based on the viscosity, regular bodied, medium bodied and heavy bodied. Regular bodied cement, such as **CANTEX #99**, is suitable for most conduit applications up through 6” size. For better gap filling needs, medium-bodied cement such as **CANTEX #5** should be selected. For conduit 6” and larger where a watertight joint is needed or for extremely hot weather use, select a heavy bodied cement such as **CANTEX #16**. For cement joints in corrugated ENT or corrugated fiber optic conduit, cement such as **CANTEX #50 ENT** cement should be used.

3.3 Solvent Cement Storage: Store sealed cement containers in temperature between 40°F (5°C) to 70°F (31°C) when not in use. Before use, check to see that the cement is fluid and not lumpy or gelled. If lumpy or gelled, discard the cement; do not attempt to liquefy or dilute with cement primer. **DO NOT USE OPEN FLAME OR ELECTRIC HEATERS TO WARM CEMENT.**

3.4 Surface Preparation: Wipe joint surfaces clean of dirt, moisture or other contaminants. If the joining surfaces are extremely dirty or coated with oil, wipe thoroughly and do not attempt to make a cement application until all evidence of moisture is gone. Extremely hot jointing areas (90°F or above) should be cooled by shading or application of a damp cloth. If a damp cloth is used, area should be allowed to dry before applying cement. Hot surfaces dry the cement rapidly and can cause insufficient welding if liquid cement is not evident on the surface when the bell and spigot are joined. Use of a heavier, slower drying cement may be appropriate when it is impractical to cool the joints.

3.5 Application of Cement: For most conduit joints, a single application of cement on the spigot to a length equal to the bell depth is sufficient. On conduit of 1” or smaller, use a dauber applicator which is supplied in the lid of the cement container. On larger sizes, use a small natural bristle paint brush of a width approximately one-half the diameter of the pipe. (Example: For 4” pipe, use a 2” wide brush.) Apply the cement quickly and evenly around the spigot and insert into the bell or fitting while the cement is still liquid.

3.6 Makeup: Insert the spigot fully into the bell and apply a one-quarter twist on the spigot section as insertion is being made. Hold the joint firmly together for 10 to 20 seconds without movement. If the spigot section backs out upon release, pull the joint apart and reapply another coat of cement and reassemble and hold until the joint does not back out upon release. Cold weather applications may require a longer holding time. A small bead of cement should appear around the lip of the bell if adequate cement has been applied. Wipe off excess bead after the joint has set.

3.7 Set Time: Handle the newly assembled joints carefully until the cement has gone through an adequate set time. Recommended set time is related to temperature of the joint follows:

30 minutes minimum at 60 to 100°F ((15 to 40°C)

1 hour minimum at 40 to 60°F (5 to 15°C)

2 hours minimum at 20 to 40°F (-5 to 5°C)

4 hours minimum at 0 to 20°F (-20 to -5°C)

Note: Joint damage or loosening may occur up to 48 hours after assembly in temperatures below 40°F if the joints are severely stressed.

4.0 Expansion and Contraction Considerations

Thermal expansion and contraction of the PVC conduit system must be considered in all projects. PVC conduit expands or contracts at a rate of 3×10^{-5} in./in./°F, or about 3/8" per 100 feet per 10°F temperature change. The total change in length of the conduit run can be calculated by the following equation:

(Eq.1) Length change, $L_c = C$ (Conduit Length, inches) (AT)
 Where: $C =$ Coefficient of Expansion = 3×10^{-5} in./in./°F
 $AT =$ Temperature change, °F
 $L_c = (.00003 \text{ in./in./°F}) (500 \text{ ft.})(12 \text{ in./ft.})(30^\circ) = 5.4 \text{ inches}$

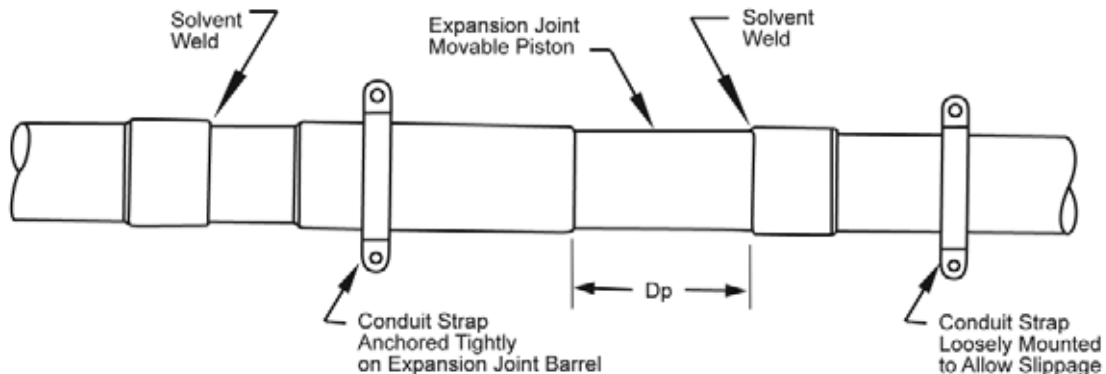
The most common effect of expansion is to create unsightly warpage or sagging in the conduit run although larger conduit may create damage to the terminations. Contraction is usually more damaging than expansion as it can create joint separation or pullouts at the termination. Design consideration must be given to both conditions.

For underground installations, expansion or contraction can usually be accommodated by "snaking" the conduit in the trench. It is desirable to allow the conduit run to normalize with the ground temperature before backfilling or making end connections such as at a manhole. Once the pipe in a trench has normalized and is backfilled, expansion and contraction is minimized due to the relatively constant earth temperature and the friction of the soil on the conduit

In above ground installations, expansion/contraction can be accommodated by the use of change of direction fittings or by expansion joints. The conduit should be secured by hangers or straps which are tightened only to the point that slippage through the supports is possible. In long straight runs where bending or change of direction cannot be allowed and where the conduit ends must be securely terminated, expansion joints should be used (example: conduit suspended under a bridge). The number of expansion joints required can be calculated as follows:

1. Determine the total change in length, L_c , anticipated due to the maximum and minimum temperatures to when the conduit run will be exposed.
2. Use the following equation to determine the number of expansion joints required:
 Eq.2) $N = L_c / EA$ Where: $N =$ number of expansion joints required
 $EA =$ expansion allowance in each expansion joint

Install the expansion joints at equal intervals along the run. The moveable section of the expansion joints must be set at the time of installation according to the installation temperature such that both expansion and contraction may be accommodated. Refer to the drawing shown below.



Conduit Installation Guidelines

The correct piston setting, Dp, can be determined for any installation temperature by using the following equation:

$$(Eq. 3) \quad Dp = ((T \text{ max}) / (+T) - (T \text{ installed}) / 2!) EA$$

Where: Dp = Distance of piston from fully closed position
 T max = Maximum temperature, °F, to which the conduit will be exposed
 T min = Minimum temperature, °F, to which the conduit will be exposed
 +T = T max - T min

EA = Expansion allowance, in inches, for each expansion joint

Example: A 500 ft. run of conduit will be installed under a bridge and exposed to a direct sunlight temperature of 140°F and winter temperature of 0°F.

a) Determine the total length change by Eq. 1:

$$Lc = (.00003)(500)(12)(140) = 25.2 \text{ inches}$$

b) Using an expansion joint that allows 3 inches of travel each way (total piston travel = 6 inches), determine the number of expansion joints required by Eq. 2:

$$N = 25.2 \text{ max} / 3 = 8.4 \text{ (Use 9 joints)}$$

c) If the conduit was installed at 80°F, determine the piston setting, Dp by Eq. 3:

$$Dp = ((140 - 80) / 140)(3) = 1.28 \text{ inches}$$

The nine expansion joints should be installed 50 feet apart in the conduit run with each expansion joint barrel tightened securely and rest of the hangers tightened loosely to allow slippage.

4.1 Expansion/Contraction in Concrete Encasement: When encased in concrete, PVC conduit is immobilized by the concrete and will expand and contract at the expansion coefficient rate of the concrete.

5.0 Support Spacing:

Supports for PVC conduit may be somewhat lighter than for metallic conduit due to its lighter weight. The following support chart is based on the National Electric Code, Table 347-8, assuming a maximum air temperature of 122°F (50°C) and conductor temperature of 194°F (90°C).

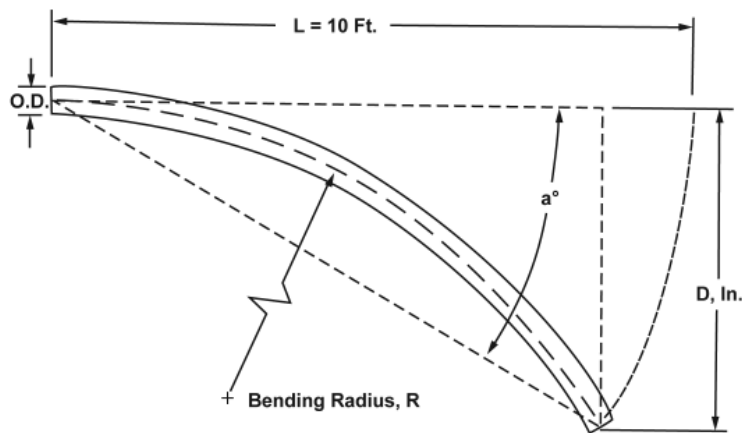
| Conduit Size (Inches) | Maximum Spacing Between Supports (Feet) |
|-----------------------|---|
| 1/2 thru 1 | 3 |
| 1-1/4 thru 2 | 5 |
| 2-1/2 thru 3 | 6 |
| 3-1/2 thru 5 | 7 |
| 6 thru 8 | 8 |

Latest NEC code and local codes are subject to change and should be consulted.

Conduit Installation Guidelines

6.0 Bending

One of the advantages of PVC conduit is the ability to easily make changes in direction by bending with the use of mechanical benders. In underground or above ground installations, the conduit path may be deviated to change directions or avoid obstacles. The following diagram and table offers a guideline to a safe allowance for bending in one ten foot section conduit. Conduit bent to these maximum allowances will have a maximum fiber stress of 2000 psi which is a safe level for non-pressure conduits. Bending beyond these values may result in buckling of the conduit. Force required for bending varies with the size of the conduit and temperature. For bends shorter than the minimum bending radius, R_b, it is recommended that factory made bends be used. These bends are available in 11-1/4°, 22-1/2°, 30°, 45° and 90° increments and are available from stock in standard radii. Special degree bends or special radii are available on request to **CANTEX** in most sizes.



| BENDING ALLOWANCE PER 10' LENGTH OF CONDUIT | | | | |
|---|-------|----------------------|------|-----------------------|
| Conduit Size (Inches) | O.D. | R _b , Ft. | A° | Deflection D (Inches) |
| 1/2 | .840 | 9 | 33.0 | 61.4 |
| 3/4 | 1.050 | 11 | 26.0 | 51.1 |
| 1 | 1.315 | 14 | 21.0 | 41.9 |
| 1-1/4 | 1.660 | 17 | 16.5 | 33.7 |
| 1-1/2 | 1.900 | 20 | 14.5 | 29.7 |
| 2 | 2.375 | 25 | 11.6 | 23.9 |
| 2-1/2 | 2.875 | 30 | 9.6 | 19.9 |
| 3 | 3.500 | 36 | 7.9 | 16.4 |
| 3-1/2 | 4.000 | 42 | 6.9 | 14.3 |
| *4 | 4.350 | 45 | 6.3 | 13.2 |
| 4 | 4.500 | 47 | 6.1 | 12.8 |
| 5 | 5.563 | 58 | 4.9 | 10.3 |
| 6 | 6.625 | 69 | 4.2 | 8.7 |
| 8 | 8.625 | 90 | 3.2 | 6.7 |

* Telephone Conduit

The radii of long curves using multiple joints of conduit should be limited to the values shown in the table for minimum radii. The joints to be bent should be allowed to thoroughly set (See Sec. 3.7) before bending and placement.

Conduit Installation Guidelines

7.0 Direct Burial

7.1 Trench Width: Trench width at the ground level may vary depending on soil types, equipment used, position of surface structures, etc. Where compacting of the initial backfill is required, the trench should be a minimum of 5 pipe diameters. In very wide trenches, sub-ditching should be considered to provide maximum side support for the conduit. Shoring or trench boxes should be used for workman protection in loose soil or very deep trenches.

7.2 Trench Bottom: The trench bottom should be constructed to provide a firm, stable and uniform support for the conduit for the full lengths of the conduit. Unless specified, line and grade is not required provided that the conduit will conform to the trench bottom and bending does not exceed the values given in Sec. 3.7. Large rocks and boulders, frozen lumps of soil, large lumps of clay, etc. should be removed before the conduit is installed. Rocky or uneven trench bottoms should be bedded with loose backfill or sand to provide a soft, even cushion for the conduit.

7.3 Initial Backfill: Initial backfill should be dry and free flowing and contain rock not to exceed 1" in. diameter. Initial backfill should be applied in light layers of 3" to 6" and spread uniformly. Tamping should be done layer by layer of initial backfill up to the springline of the conduit. In multiple conduit installations the initial backfill should be worked carefully between the ducts and under the haunches. Tamping should be done between the edges of the ditch over the springline of the conduit, but no tamping should be done over the top of the conduit. Initial backfill should be placed loosely over the top of the conduit to a depth of 6". All compaction by either tamping or flooding should be completed before the final backfill if placed.

7.4 Final Backfill: After placement and compaction of conduit embedded materials, the balance of backfill materials may be machine placed and should contain no large rocks or stones, frozen material or other debris. Proper compaction procedures should be exercised to provide required soil densities.

8.0 Concrete Encasement:

8.1 Tie and fasten all conduit to prevent floating. If concrete is required in the trench bottom, allow at least 2" freeboard between conduit and tie down equipment.

8.2 Spacers, if used, should be spaced at the intervals shown below or less.

| Conduit Size Size (Inches) | Spacing (Feet) |
|----------------------------------|-------------------|
| ½ thru 2 | 4 thru 6 |
| 3 thru 3 ½ | 5 thru 8 |
| 4 thru 8 | 6 thru 10 |

A 1" minimum spacing should be allowed for all conduit and a concrete mix using pea gravel should be used for encasement. If complete encasement is required at areas requiring bends in making freeway or water crossings, use a 2" minimum spacing.

8.3 Coverage: Minimum concrete coverage should be 2" on top, bottom and sides of conduit. Firm soil conditions may eliminate need for concrete at the trench bottom.

8.4 Backfilling: Backfilling can be done as soon as the concrete has cured to withstand the weight of a man.

8.5 Temperature Considerations: The temperature rise of the concrete as it cures may cause some expansion of the conduit. Concrete should be poured from the center of the run toward each free end or from one tie-in point toward the free end of the conduit. Make permanent terminal tie-ins after the temperature has normalized.

Conduit Engineering and Design Data

Schedule 40 and Schedule 80 Conduit - Approximate Weight per 10 Feet (Lbs.)

| Nom. Size (Inch) | CANTEX Sch. 40 | CANTEX Sch. 80 | Aluminum | Electrical Metallic Tubing (EMT) | Intermediate Metal Conduit (IMC) | Rigid Steel (GALV) |
|------------------|----------------|----------------|----------|----------------------------------|----------------------------------|--------------------|
| 1/2 | 16 | 21 | 27 | 30 | 57 | 79 |
| 3/4 | 22 | 28 | 36 | 78 | 78 | 105 |
| 1 | 32 | 41 | 53 | 112 | 112 | 153 |
| 1-1/4 | 44 | 57 | 70 | 114 | 114 | 201 |
| 1-1/2 | 52 | 69 | 86 | 176 | 176 | 246 |
| 2 | 77 | 105 | 116 | 230 | 230 | 334 |
| 2-1/2 | 122 | 160 | 183 | 270 | 393 | 527 |
| 3 | 159 | 215 | 239 | 350 | 483 | 690 |
| 3-1/2 | 191 | | 288 | 400 | 561 | 831 |
| 4 | 227 | 311 | 340 | -- | 625 | 982 |
| 5 | 307 | 437 | 468 | -- | -- | 1,344 |
| 6 | 400 | 600 | 612 | -- | -- | 1,770 |
| 8 | 600 | -- | -- | -- | -- | -- |

Thermal Properties

| | ASTM Test | Typical Values |
|---|-----------|------------------------|
| Coefficient of Thermal Expansion, in./in./°F @ 73.4°F | D696 | 3.0 X 10 ⁻⁵ |
| Heat Distortion °F at 264psi | D696 | 172°F |
| Thermal Conductivity BTU (hr)(ft ²)°F/in) | D648 | 1.3 |
| Water Absorption % by weight | D570 | 1.03% max. |

Mechanical Properties

| | ASTM Test | Typical Values |
|-----------------------------------|-----------|----------------|
| Specific Gravity | D 792 | 1.42 - 160 |
| Tensile Strength, psi @ 73.4°F | D 638 | 5 - 6,500 |
| Izod Impact Ft. lbs./in. of notch | D 256 | .65 - 1.5 |
| Flexural Strength, psi | D 790 | 11,000 |
| Compressive Strength psi | D 695 | 8,500 |
| Hardness (Durometer D) | D 2240 | 77 min |

Electrical Properties

| | ASTM Test | Typical Values |
|----------------------------------|-----------|----------------|
| Dielectric Strength Volts/Mil | D 149 | 1,100 |
| Dielectric Constant 60 COS @30°C | D 150 | 4.5 |
| Power Factor 60 CPS @ 30°C | D 150 | 1.9 |

Impedance (Volts lost per ampere per 100 ft.)

| | 30 90% P.F. | 80% P.F. | 10 90% P.F. | 80% P.F. |
|---------------|-------------|----------|-------------|----------|
| Steel Conduit | .0118 | .0123 | .0136 | --- |
| PVC Conduit | .0105 | .0106 | .0121 | .0122 |

Conduit Engineering and Design Data

Maximum Number of Conductors in Nonmetallic PVC Schedule 40 PVC Conduit

Table C.10 (Based on Table 1, Chapter 9 of the N.E.C.)

| Conductor Size AWG, MCM | | Conduit Trade Size | | | | | | | | | | |
|----------------------------|------|--------------------|------|----|--------|--------|-----|--------|-----|-----|-----|------|
| | | 1/2" | 3/4" | 1" | 1-1/4" | 1-1/2" | 2" | 2-1/2" | 3" | 4" | 5" | 6" |
| 14 | THW | 5 | 9 | 16 | 28 | 38 | 63 | 90 | 139 | 240 | 378 | 546 |
| | THHN | 11 | 21 | 34 | 60 | 82 | 135 | 193 | 299 | 517 | 815 | 1178 |
| 12 | THW | 4 | 8 | 12 | 22 | 30 | 50 | 72 | 112 | 193 | 304 | 439 |
| | THHN | 8 | 15 | 25 | 43 | 59 | 99 | 141 | 218 | 377 | 594 | 859 |
| 10 | THW | 3 | 6 | 10 | 17 | 24 | 39 | 56 | 87 | 150 | 237 | 343 |
| | THHN | 5 | 9 | 15 | 27 | 37 | 62 | 89 | 137 | 238 | 374 | 541 |
| 8 | THW | 1 | 3 | 6 | 10 | 14 | 23 | 33 | 52 | 90 | 142 | 205 |
| | THHN | 3 | 5 | 9 | 16 | 21 | 36 | 51 | 79 | 137 | 216 | 312 |
| 6 | THW | 1 | 2 | 4 | 8 | 11 | 18 | 26 | 40 | 69 | 109 | 157 |
| | THHN | 1 | 4 | 6 | 11 | 15 | 26 | 37 | 57 | 99 | 156 | 225 |
| 4 | THW | 1 | 1 | 3 | 6 | 8 | 13 | 19 | 30 | 51 | 81 | 117 |
| | THHN | 1 | 2 | 4 | 7 | 9 | 16 | 22 | 35 | 61 | 96 | 138 |
| 3 | THW | 1 | 1 | 3 | 5 | 7 | 11 | 16 | 25 | 44 | 69 | 100 |
| | THHN | 1 | 1 | 3 | 6 | 8 | 13 | 19 | 30 | 51 | 81 | 117 |
| 2 | THW | 1 | 1 | 2 | 4 | 6 | 10 | 14 | 22 | 37 | 59 | 85 |
| | THHN | 1 | 1 | 3 | 5 | 7 | 11 | 16 | 25 | 43 | 68 | 98 |
| 1 | THW | 0 | 1 | 1 | 3 | 4 | 7 | 10 | 15 | 26 | 41 | 60 |
| | THHN | 1 | 1 | 1 | 3 | 5 | 8 | 12 | 18 | 32 | 50 | 73 |
| 1/0 | THW | 0 | 1 | 1 | 2 | 3 | 6 | 8 | 13 | 22 | 35 | 51 |
| | THHN | 1 | 1 | 1 | 3 | 4 | 7 | 10 | 15 | 27 | 42 | 61 |
| 2/0 | THW | 0 | 1 | 1 | 1 | 3 | 5 | 7 | 11 | 19 | 30 | 43 |
| | THHN | 0 | 1 | 1 | 2 | 3 | 6 | 8 | 13 | 22 | 35 | 51 |
| 3/0 | THW | 0 | 1 | 1 | 1 | 2 | 4 | 6 | 9 | 16 | 25 | 36 |
| | THHN | 0 | 1 | 1 | 1 | 3 | 5 | 7 | 11 | 18 | 29 | 42 |
| 4/0 | THW | 0 | 0 | 1 | 1 | 1 | 3 | 5 | 8 | 13 | 21 | 30 |
| | THHN | 0 | 1 | 1 | 1 | 2 | 4 | 6 | 9 | 15 | 24 | 35 |
| 250 | THW | 0 | 0 | 1 | 1 | 1 | 3 | 4 | 6 | 11 | 17 | 25 |
| | THHN | 0 | 0 | 1 | 1 | 1 | 3 | 4 | 7 | 12 | 20 | 28 |
| 300 | THW | 0 | 0 | 1 | 1 | 1 | 2 | 3 | 5 | 9 | 15 | 21 |
| | THHN | 0 | 0 | 1 | 1 | 1 | 3 | 4 | 6 | 11 | 17 | 24 |
| 350 | THW | 0 | 0 | 0 | 1 | 1 | 1 | 35 | 5 | 8 | 13 | 19 |
| | THHN | 0 | 0 | 1 | 1 | 1 | 2 | 3 | 5 | 9 | 15 | 21 |
| 400 | THW | 0 | 0 | 0 | 1 | 1 | 1 | 3 | 4 | 7 | 12 | 17 |
| | THHN | 0 | 0 | 0 | 1 | 1 | 1 | 3 | 5 | 8 | 13 | 19 |
| 500 | THW | 0 | 0 | 0 | 1 | 1 | 1 | 2 | 3 | 6 | 10 | 14 |
| | THHN | 0 | 0 | 0 | 1 | 1 | 1 | 2 | 4 | 7 | 11 | 16 |
| 600 | THW | 0 | 0 | 0 | 0 | 1 | 1 | 1 | 3 | 5 | 8 | 11 |
| | THHN | 0 | 0 | 0 | 1 | 1 | 1 | 1 | 3 | 5 | 9 | 13 |
| 700 | THW | 0 | 0 | 0 | 0 | 1 | 1 | 1 | 2 | 4 | 7 | 10 |
| | THHN | 0 | 0 | 0 | 0 | 1 | 1 | 1 | 3 | 5 | 8 | 11 |

Conduit Engineering and Design Data

Maximum Number of Conductors in Nonmetallic PVC Schedule 80 PVC Conduit

Table C.9 (Based on Table 1, Chapter 9 of the N.E.C.)

| Conductor Size AWG, MCM | | Conduit Trade Size | | | | | | | | | | |
|----------------------------|------|--------------------|------|----|--------|--------|-----|--------|-----|-----|-----|------|
| | | 1/2" | 3/4" | 1" | 1-1/4" | 1-1/2" | 2" | 2-1/2" | 3" | 4" | 5" | 6" |
| 14 | THW | 4 | 8 | 13 | 23 | 32 | 55 | 79 | 123 | 215 | 341 | 490 |
| | THHN | 9 | 17 | 28 | 51 | 70 | 118 | 170 | 265 | 464 | 736 | 1055 |
| 12 | THW | 3 | 6 | 10 | 19 | 26 | 44 | 63 | 99 | 173 | 274 | 394 |
| | THHN | 6 | 12 | 20 | 37 | 51 | 86 | 124 | 193 | 338 | 537 | 770 |
| 10 | THW | 2 | 5 | 8 | 15 | 20 | 34 | 49 | 77 | 135 | 214 | 307 |
| | THHN | 4 | 7 | 13 | 23 | 32 | 54 | 78 | 122 | 213 | 338 | 485 |
| 8 | THW | 1 | 3 | 5 | 9 | 12 | 20 | 29 | 46 | 81 | 128 | 184 |
| | THHN | 4 | 7 | 13 | 23 | 32 | 54 | 78 | 122 | 213 | 338 | 485 |
| 6 | THW | 1 | 1 | 3 | 7 | 9 | 16 | 22 | 35 | 62 | 98 | 141 |
| | THHN | 1 | 3 | 5 | 9 | 13 | 22 | 32 | 51 | 89 | 141 | 202 |
| 4 | THW | 1 | 1 | 3 | 5 | 7 | 12 | 17 | 26 | 46 | 73 | 105 |
| | THHN | 1 | 1 | 3 | 6 | 8 | 14 | 20 | 31 | 54 | 86 | 124 |
| 3 | THW | 1 | 1 | 2 | 4 | 6 | 10 | 14 | 22 | 39 | 63 | 90 |
| | THHN | 1 | 1 | 3 | 5 | 7 | 12 | 17 | 26 | 46 | 73 | 105 |
| 2 | THW | 1 | 1 | 1 | 3 | 5 | 8 | 12 | 19 | 33 | 53 | 77 |
| | THHN | 1 | 1 | 2 | 4 | 6 | 10 | 14 | 22 | 39 | 61 | 88 |
| 1 | THW | 0 | 1 | 1 | 2 | 3 | 6 | 8 | 13 | 23 | 37 | 54 |
| | THHN | 0 | 1 | 1 | 3 | 4 | 7 | 10 | 16 | 29 | 45 | 65 |
| 1/0 | THW | 0 | 1 | 1 | 1 | 3 | 5 | 7 | 11 | 20 | 32 | 46 |
| | THHN | 0 | 1 | 1 | 2 | 3 | 6 | 9 | 14 | 24 | 38 | 55 |
| 2/0 | THW | 0 | 1 | 1 | 1 | 2 | 4 | 6 | 10 | 17 | 27 | 39 |
| | THHN | 0 | 1 | 1 | 1 | 3 | 5 | 7 | 11 | 20 | 32 | 46 |
| 3/0 | THW | 0 | 0 | 1 | 1 | 1 | 3 | 5 | 8 | 14 | 23 | 33 |
| | THHN | 0 | 1 | 1 | 1 | 2 | 4 | 6 | 9 | 17 | 26 | 38 |
| 4/0 | THW | 0 | 0 | 1 | 1 | 1 | 3 | 4 | 7 | 12 | 19 | 27 |
| | THHN | 0 | 0 | 1 | 1 | 1 | 3 | 5 | 8 | 14 | 22 | 31 |
| 250 | THW | 0 | 0 | 0 | 1 | 1 | 2 | 3 | 5 | 9 | 15 | 22 |
| | THHN | 0 | 0 | 1 | 1 | 1 | 3 | 4 | 6 | 11 | 18 | 25 |
| 300 | THW | 0 | 0 | 0 | 1 | 1 | 1 | 3 | 5 | 8 | 13 | 19 |
| | THHN | 0 | 0 | 0 | 1 | 1 | 2 | 3 | 5 | 9 | 15 | 22 |
| 350 | THW | 0 | 0 | 0 | 1 | 1 | 1 | 2 | 4 | 7 | 12 | 17 |
| | THHN | 0 | 0 | 0 | 1 | 1 | 1 | 3 | 5 | 8 | 13 | 19 |
| 400 | THW | 0 | 0 | 0 | 1 | 1 | 1 | 2 | 4 | 7 | 10 | 15 |
| | THHN | 0 | 0 | 0 | 1 | 1 | 1 | 3 | 4 | 7 | 12 | 17 |
| 500 | THW | 0 | 0 | 0 | 1 | 1 | 1 | 1 | 3 | 5 | 9 | 13 |
| | THHN | 0 | 0 | 0 | 1 | 1 | 1 | 2 | 3 | 6 | 10 | 14 |
| 600 | THW | 0 | 0 | 0 | 0 | 1 | 1 | 1 | 2 | 4 | 7 | 10 |
| | THHN | 0 | 0 | 0 | 0 | 1 | 1 | 1 | 3 | 5 | 8 | 12 |
| 700 | THW | 0 | 0 | 0 | 0 | 1 | 1 | 1 | 2 | 4 | 6 | 9 |
| | THHN | 0 | 0 | 0 | 0 | 1 | 1 | 1 | 2 | 4 | 7 | 10 |

Conduit Engineering and Design Data

Maximum Conductors in Nonmetallic PVC Schedule 80 PVC Conduit

Table C.9 (Based on Table 1, Chapter 9 of the N.E.C.)

| Type Letters | Conductor Size AWG, kcmil | Conduit Trade Size (Inches) | | | | | | | | | | | |
|---------------------------------|---------------------------------|-----------------------------|------|----|--------|--------|-----|--------|-----|--------|-----|-----|------|
| | | 1/2" | 3/4" | 1" | 1-1/4" | 1-1/2" | 2" | 2-1/2" | 3" | 3-1/2" | 4" | 5" | 6" |
| THWN | 14 | 9 | 17 | 28 | 51 | 70 | 118 | 170 | 265 | 358 | 464 | 736 | 1055 |
| | 12 | 6 | 12 | 20 | 37 | 51 | 86 | 124 | 193 | 261 | 338 | 537 | 770 |
| | 10 | 4 | 7 | 13 | 23 | 32 | 54 | 78 | 122 | 164 | 213 | 338 | 485 |
| | 8 | 2 | 4 | 7 | 13 | 18 | 31 | 45 | 70 | 95 | 123 | 195 | 279 |
| THHN FEP (14 through 8) | 6 | 1 | 3 | 5 | 9 | 13 | 22 | 32 | 51 | 68 | 89 | 141 | 202 |
| | 4 | 1 | 1 | 3 | 6 | 8 | 14 | 20 | 31 | 42 | 54 | 86 | 124 |
| | 3 | 1 | 1 | 3 | 5 | 7 | 12 | 17 | 26 | 35 | 46 | 73 | 105 |
| | 2 | 1 | 1 | 2 | 4 | 6 | 10 | 14 | 22 | 30 | 39 | 61 | 88 |
| | 1 | 0 | 1 | 1 | 3 | 4 | 7 | 10 | 16 | 22 | 29 | 45 | 65 |
| PFA (14 through 4/0) | 1/0 | 0 | 1 | 1 | 3 | 4 | 7 | 10 | 15 | 20 | 27 | 42 | 61 |
| | 2/0 | 0 | 1 | 1 | 2 | 3 | 5 | 8 | 12 | 17 | 22 | 35 | 50 |
| | 3/0 | 0 | 1 | 1 | 1 | 2 | 4 | 6 | 10 | 14 | 18 | 29 | 41 |
| | 4/0 | 0 | 0 | 1 | 1 | 1 | 4 | 5 | 8 | 11 | 15 | 24 | 34 |
| Z (14 through 4/0) | 250 | 0 | 0 | 1 | 1 | 1 | 3 | 4 | 6 | 9 | 11 | 18 | 26 |
| | 300 | 0 | 0 | 1 | 1 | 1 | 2 | 3 | 5 | 7 | 10 | 15 | 22 |
| | 350 | 0 | 0 | 0 | 1 | 1 | 1 | 3 | 5 | 6 | 8 | 14 | 20 |
| | 400 | 0 | 0 | 0 | 1 | 1 | 1 | 3 | 4 | 6 | 7 | 12 | 17 |
| XHHW (4 through 55 kcmil) | 500 | 0 | 0 | 0 | 1 | 1 | 1 | 2 | 3 | 5 | 6 | 10 | 14 |
| | 600 | 0 | 0 | 0 | 0 | 1 | 1 | 1 | 3 | 4 | 5 | 8 | 11 |
| | 700 | 0 | 0 | 0 | 0 | 1 | 1 | 1 | 2 | 3 | 4 | 7 | 10 |
| | 750 | 0 | 0 | 0 | 0 | 1 | 1 | 1 | 2 | 3 | 4 | 6 | 9 |
| XHHW | 6 | 1 | 2 | 4 | 8 | 11 | 19 | 28 | 43 | 59 | 76 | 121 | 173 |
| | 600 | 0 | 0 | 0 | 0 | 1 | 1 | 1 | 3 | 4 | 5 | 8 | 11 |
| | 700 | 0 | 0 | 0 | 0 | 1 | 1 | 1 | 2 | 3 | 4 | 7 | 10 |
| | 750 | 0 | 0 | 0 | 0 | 1 | 1 | 1 | 2 | 3 | 4 | 6 | 9 |

Conduit & Utility Duct Packaging Data

Schedule 40 and Schedule 80 Conduit

| Size Inches | Feet per Bundle | 10' Lengths | | | 20' Lengths | | |
|-------------|-----------------|---------------|-------------------------|---------|---------------|------------------------|---------|
| | | Feet per Pack | Approx. Weight per Pack | | Feet per Pack | Approx Weight per Pack | |
| | | | Sch. 40 | Sch. 80 | | Sch. 40 | Sch. 80 |
| 1/2 | 100 | 6,000 | 1044 | 1314 | 12,000 | 2088 | -- |
| 3/4 | 100 | 4,400 | 1016 | 1309 | 8,000 | 2032 | -- |
| 1 | 100 | 3,600 | 1234 | 1579 | 7,200 | 2468 | 3155 |
| 1-1/4 | 50 | 3,300 | 1521 | 2007 | 6,600 | 2042 | 4010 |
| 1-1/2 | 50 | 2,250 | 1242 | 1660 | 4,500 | 2484 | 2855 |
| 2 | -- | 1,400 | 1039 | 1426 | 2,800 | 2078 | 2892 |
| 2-1/2 | -- | 930 | 1094 | 1448 | 1,860 | 2188 | 2892 |
| 3 | -- | 880 | 1448 | 1977 | 1,760 | 2896 | 3667 |
| 3-1/2 | -- | 630 | 1248 | 1605 | 1,260 | 2496 | -- |
| 4 | -- | 570 | 1337 | 1854 | 1,140 | 2674 | 3474 |
| 5 | -- | 380 | 1208 | 1715 | 760 | 2416 | 3216 |
| 6 | -- | 260 | 1075 | 1616 | 520 | 2150 | 3025 |
| 8 | -- | 180 | 1076 | -- | 360 | 2152 | -- |

EB & DB Utility Duct - 20' Lengths

| Size Inches | Feet per Bundle | Feet per Pack | Approx. Weight per Pack | | | |
|-------------|-----------------|---------------|-------------------------|------|-------|------|
| | | | DB60 | EB20 | DB120 | EB35 |
| 1 | 100 | 7,200 | -- | -- | 1176 | -- |
| 1-1/2 | 100 | 4,500 | -- | -- | 1142 | -- |
| 2 | -- | 2,800 | 944 | 907 | 1079 | -- |
| 3 | -- | 1,760 | 1464 | 862 | 1529 | -- |
| 4 | -- | 1,140 | 1567 | 1056 | 1907 | 1171 |
| 5 | -- | 760 | 1579 | 1064 | 1919 | 1281 |
| 6 | -- | 520 | 1560 | 1026 | 1833 | 1195 |

Telephone Conduit - 20' Lengths

| Spec | Size (Inch) | Feet per Pack | Approx Weight per Pack | | |
|------------|-------------|---------------|------------------------|--------|--------|
| | | | Type B | Type C | Type D |
| CAO | 4 | 1,260 | 1272 | 2030 | 1885 |
| Commercial | 4 | 1,260 | -- | 1703 | -- |

Truck Load Chart

| Product | Size Inches | Pieces per Pack | Feet per Pack | Pack Value |
|--|-------------|-----------------|---------------|------------|
| Sch. 40 & Sch. 80 conduit 10' lengths (For 20' lengths, double the 10' pack value shown) | 1/2 | 600 | 3,000 | 8 |
| | 3/4 | 440 | 4,400 | 10 |
| | 1 | 360 | 3,600 | 13 |
| | 1-1/4 | 330 | 3,300 | 16 |
| | 1-1/2 | 225 | 2,250 | 16 |
| | 2 | 140 | 1,400 | 13 |
| | 2-1/2 | 93 | 930 | 13 |
| | 3 | 88 | 880 | 20 |
| | 3-1/2 | 63 | 630 | 20 |
| | 4 | 57 | 570 | 20 |
| | 5 | 38 | 380 | 20 |
| | 6 | 26 | 260 | 20 |
| | 8 | 18 | 180 | 27 |
| EB & DB Utility Duct 20' lengths | 1 | 360 | 7,200 | 26 |
| | 1-1/2 | 225 | 4,500 | 32 |
| | 2 | 140 | 2,800 | 26 |
| | 3 | 88 | 1,760 | 40 |
| | 4 | 57 | 1,140 | 40 |
| | 5 | 38 | 760 | 40 |
| | 6 | 26 | 520 | 40 |
| EZ Flex® ENT 10' Lengths | 1/2 | 360 | 3,600 | 10 |
| | 3/4 | 400 | 4,000 | 10 |
| | 1 | 240 | 2,400 | 10 |
| Telephone Conduit - CAO 20' lengths | 4 | 63 | 1,260 | 53 |
| Telephone Conduit - Commercial 20' lengths | 4 | 63 | 1,260 | 53 |

Limited Warranty

The Seller, **CANTEX INC.**, warrants its PVC plastic pipe, conduit, fittings, accessories, residential electrical boxes and solvents against defective workmanship and material for a period of one year from date of applicable invoice. Seller's liability hereunder, either for breach of warranty or for negligence, is expressly limited, at Seller's option, to:

A) Replacement at the agreed point of delivery, at no cost to the Purchaser, of any product found by the Seller to be defective or found not to conform to the applicable industry manufacturing standards, or

B) to refund or credit to the Purchaser of the purchase price of such products, provided the Seller is notified immediately upon the discovery of any claimed defect and that representative samples of the allegedly defective product are returned, transportation prepaid, to Seller, F.O.B. shipping point, at Seller's request. No claim under this Limited Warranty will be considered until the product and representative samplings thereof have been examined by Seller.

The above warranty constitutes the entire liability of Seller. Seller shall not be liable for any incidental consequential damages directly or indirectly arising or resulting from the sale, transportation, handling, installation or use of the products sold, nor for product loss, re-installation or labor cost.

**THIS WARRANTY IS EXPRESSLY IN LIEU OF ANY OTHER WARRANTIES,
EXPRESSED OR IMPLIED, INCLUDING ANY IMPLIED WARRANTY OF
MERCHANTABILITY OR FITNESS FOR ANY PARTICULAR PURPOSE, AND
OF ANY OTHER OBLIGATION OR LIABILITY ON THE PART OF THE SELLER.**

Situations that void this Limited Warranty:

- 1. Excessive temperature combination during test of operation.**
- 2. Use of the product under conditions for which the product was not designed**
- 3. Failure to adhere to Seller's General Instruction Sheets concerning the proper handling, installation and testing of the product. General Instruction sheets are available on request: Call 817-215-7000.**
- 4. Use of non-suitable solvent cement. Suitable solvent cement shall be cement made in accordance with ASTM D 2564 and of the proper grade (viscosity) for the size of pipe being joined. CANTEX solvent cements meet these requirements.**

CANTEX

817-215-7000 · 301 Commerce Ste. 2700
Fort Worth, Texas 76102

940-325-3344 · 2101 NE 1st Street
Mineral Wells, Texas 76067

330-995-3665 · 11444 Chamberlain Rd. #1
Aurora, Ohio 44202

330-995-3665m · 101 Gandy Road
Auburndale, Florida 33823

928-681-3301 · 4045 Bonanza Drive
Kingman, Arizona 86401

Authorized Distributor Policy

1. BUYER'S ACCEPTANCE

No waiver, alteration or modification of these conditions will be binding unless in writing signed by an authorized employee of **CANTEX INC.**

2. PAYMENT TERMS

All prices are F.O.B. shipping point with freight costs being collect, prepaid or allowed and do not include local, state or Federal taxes. Taxes are for the account of Buyer. Payment terms appear on the face of Buyers invoice. All orders are subject to credit approval.

3. DELINQUENCY FEES

If any invoice or part thereof is not paid within 30 days of date of invoice, **CANTEX** will impose as Delinquency Fees a charge of one (1%) percent per month or the maximum applicable legal amount upon any overdue amount to offset **CANTEX's** anticipated damages including collection and accounting costs. Buyer agrees that the law of the State of Buyer's location will govern the construction and validity of this Contract and all other legal aspects of this sale.

4. CANCELLATION

Buyer may cancel prior to shipment subject to Delinquency Fees of the cost of labor, overhead and materials used plus ten (10%) percent of the sales price. Special orders may not be cancelled.

5. RETURNS

No material may be returned for credit without the Seller's written consent.

6. SHIPMENT / DELIVERY

CANTEX will ship common carrier. Errors for breakage of product delivered by common carrier are Buyer's responsibility. Buyer is responsible for prompt unloading of trucks and/or freight cars. If delivery of products is delayed by Buyer more than 60 days, Buyer will pay **CANTEX** eighty (80%) percent of total cost of products.

7. INSTALLATION

Supervision of installation not included unless specifically requested. **CANTEX** will not be responsible for any delay in performance due to acts of God, war, riots, embargoes, acts of civil or military authorities, fires, floods, accidents, quarantine restrictions, supplier conditions, strikes, differences with workmen, cessation of plant operations, delays in transportation, nuclear incident, shortage of cars, fuel, labor or materials, or any cause beyond the reasonable control of **CANTEX**.

9. COMPLIANCE

CANTEX states its intentions to comply with all Federal laws applicable to **CANTEX's** performance.

**Terms and Conditions of Sale are available for download.
Click the link on our homepage.**

www.cantexinc.com

Authorized Distributor Policy

Returned Good Policy

1. Stock Inventory:
 - A) Permission for such return of good must first be obtained from **CANTEX** in writing. Such request must show **CANTEX** invoice number, date, quantity of items and **CANTEX** part number.
 - B) Material to be returned must be new, unused, properly packaged and in resalable condition. No credit will be issued for open or partially used packages.
 - C) Request for return must be processed within 6 months from the date of purchase.
 - D) The RGA (Returned Goods Authorization) will expire 30 days from date of issue. If the material is received after that date, terms of the return must be renegotiated.
 - E) Material must be received at the location indicated on the RGA or it will become null and void.
 - F) Restocking charge is 25%.
 - G) The distributor will prepay freight cost to return the product and the outbound freight will be deducted from the credit issued.

Our Philosophy

It is the intent of **CANTEX** Inc. to sell our PVC electrical conduit, accessory products and switch and outlet boxes primarily through distributors. We believe the distributors play a necessary and vital role in our company and that it is to our mutual advantage that **CANTEX** offers to its authorized distributors the most complete program possible.

CANTEX's objective is to select and establish recognized electrical distributors to thoroughly cover each geographical area and each market segment that **CANTEX** serves.

Our goal is to be a significant and increasing profit contributor to each of our authorized CANTEX distributors.

In General

With the philosophy stated, **CANTEX** carries out the following steps to insure the competitiveness and full profitability of each of our authorized distributors.

1. **CANTEX** is constantly adding to its line of electrical conduit and accessories.
2. Our products are manufactured to the highest quality standards and meet or exceed all applicable standards.
3. **CANTEX** offers the following benefits to its distributors:
 - A. The best delivery in the industry.
 - B. Referred business.
 - C. Assortment privileges in total product line for quantity discount.
 - D. Fair pricing.
 - E. We will drop-ship prepaid orders at no extra charge.
4. **CANTEX** aids the sales efforts of our authorized distributors in the following manner:
 - A. Sales leads derived from national advertising and trade shows.
 - B. Conducting sales meetings for our distributors.
 - C. Have an in-place factory direct sales/service staff to assist you in your sales effort.
 - D. Literature and samples for promotional purposes.
5. We expect an authorized **CANTEX** distributor to:
 - A. Maintain products in inventory.
 - B. Use best efforts and due diligence in the promotion and sale of **CANTEX** products.
 - C. Maintain their account on a current basis.
6. **CANTEX** reserves the right to quote special drop-shipments only through those distributors who maintain an acceptable inventory of **CANTEX** products.



301 Commerce Suite 2700

Fort Worth, Texas 76102

Ph: (817) 215-7000

Fax: (817) 215-7001