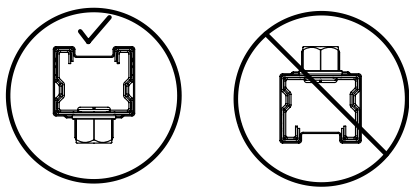
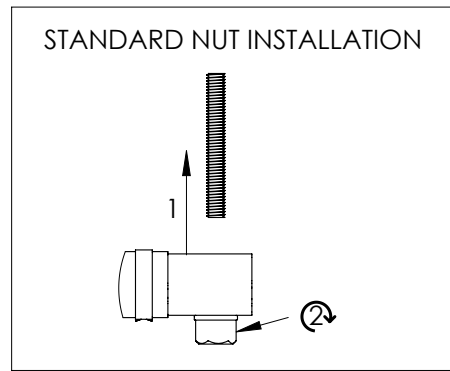
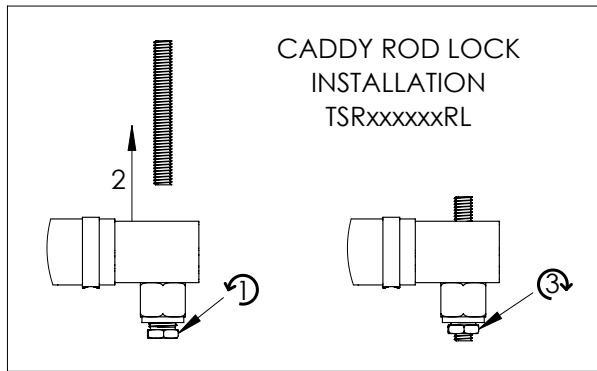
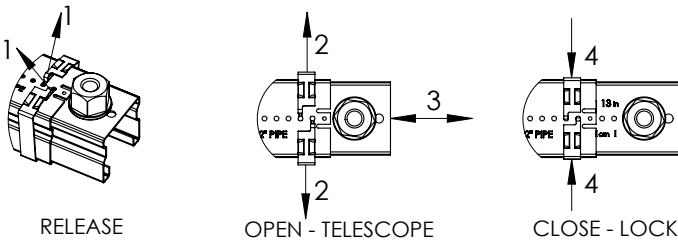
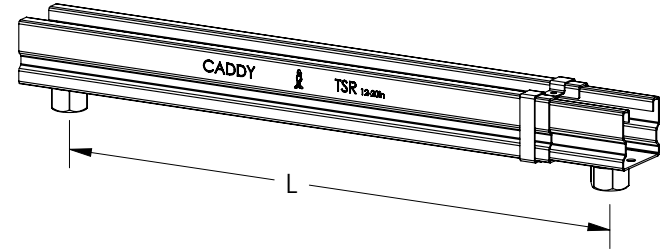


CADDY Telescoping Strut Replacement

TSR1220, TSR3050; 12-20in, 30-50cm Span

Part Number	Article Number	Nut
TSR1220	—	3/8
TSR122025	—	1/4
TSR3050M8	366591	M8
TSR3050M10	366592	M10
TSR122038RL	—	3/8 CADDY ROD LOCK
TSR3050M8RL	390105	M8 CADDY ROD LOCK
TSR3050M10RL	390106	M10 CADDY ROD LOCK
TSR1220N	366593	NONE
TSR1220R	366594	NONE*

* CADDY SN NUT RECOMMENDED FOR RETROFIT



Max Working Load		Range "L"	Lb	N
	Point Load	12-16in 30-40cm	300	1330
		16-20in 40-50cm	200	880
	Distributed Load	12-20in 30-50cm	300	1330

WARNING:

- Pentair products shall be installed and used only as indicated in Pentair product instruction sheets and training materials. Instruction sheets are available at www.erico.pentair.com and from your Pentair customer service representative.
- PENTAIR products must never be used for a purpose other than the purpose for which they were designed or in a manner that exceeds specified load ratings.
- All instructions must be **completely** followed to ensure proper and safe installation and performance.
- Improper installation, misuse, misapplication or other failure to completely follow Pentair's instructions and warnings may cause product malfunction, property damage, serious bodily injury and/or death, and void your warranty.
- Products that are manufactured using spring steel components shall be used only in a non-corrosive indoor environment.
- All pipe supports, hangers, intermediate components and structural attachments must **ONLY** be used as described herein and are **NEVER** to be used for any other purpose.

NOTE: All load ratings are for static conditions and do not account for dynamic loading such as wind, water or seismic loads, unless otherwise noted.

The customer is responsible for:

- Conformance to all governing codes.
- The integrity of structures to which the products are attached, including their capability of safely accepting the loads imposed, as evaluated by a qualified engineer.
- Using appropriate industry standard hardware as noted above.

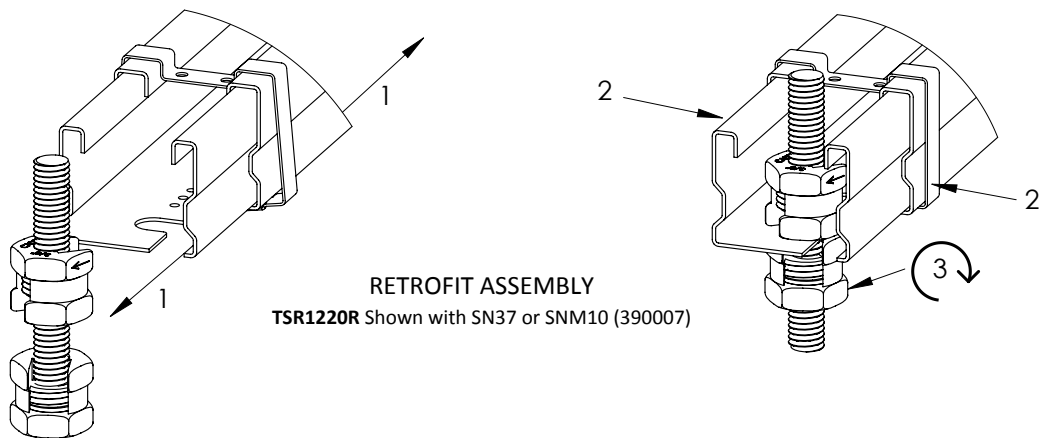
SAFETY INSTRUCTIONS:

All governing codes and regulations and those required by the job site must be observed. Always use appropriate safety equipment such as eye protection, hard hat, and gloves as appropriate to the application.

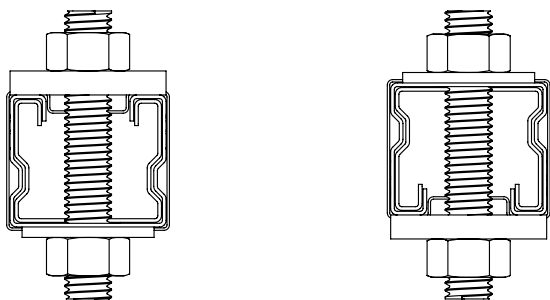


Pentair, CADDY, ERICO CADWELD, ERICO CRITEC, ERICO, ERIFLEX, and LENTON are owned by Pentair or its global affiliates. All other trademarks are the property of their respective owners. Pentair reserves the right to change specifications without prior notice.





RETROFIT ASSEMBLY
 TSR1220R Shown with SN37 or SNM10 (390007)

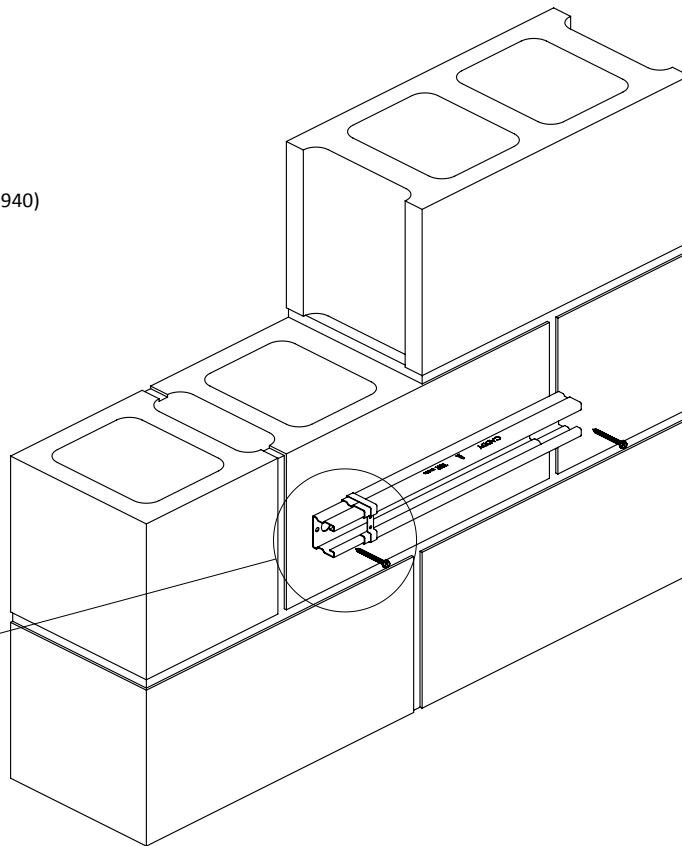
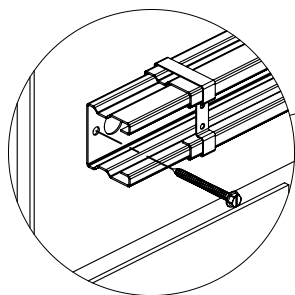


NO-HARDWARE ASSEMBLY

TSR1220N Shown with:
 Nut: 0100050EG or 010M10 (Article 592060)
 Washer: 0110037EG
 Washer: F150000EG, ZE100 (Article 313000), or PLN13 (Article 589940)

NO HARDWARE WALL MOUNT

TSR1220N Shown
 Position only



Pentair, CADDY, ERICO CADWELD, ERICO CRITEC, ERICO, ERIFLEX, and LENTON are owned by Pentair or its global affiliates. All other trademarks are the property of their respective owners. Pentair reserves the right to change specifications without prior notice.