

CHICAGO FAUCETS®

2100 SOUTH CLEARWATER DRIVE
DES PLAINES, ILLINOIS 60018-5999

Last As Long As The Building

FITTING NO.

1-099XT

SUBMITTED MODEL NO.

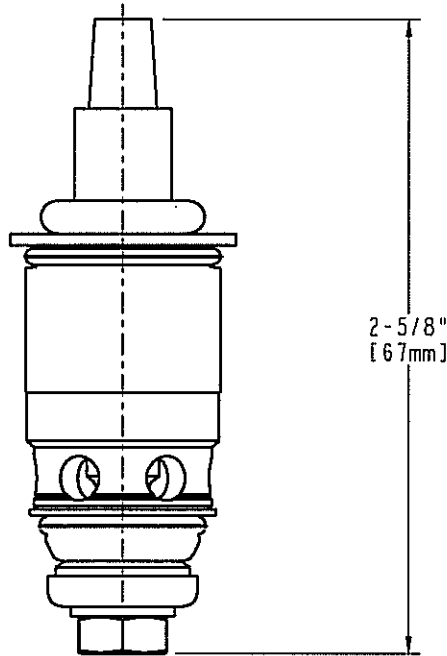
JOB NAME

ITEM NO.

SUBMITTED AS SHOWN

SUBMITTED AS NOTED

SEE ATTACHED FOR
SUBMITTED MODIFICATION



2-5/8"
[67mm]

DIMENSIONS IN INCHES AND [MILLIMETERS].

TECHNICAL DATA

RIGHT HAND QUATURN SHORT STEM CARTRIDGE FOR EXPOSED VALVE

DATE: 11-19-02

BY: SID

CHK'D: *PT*

APP'D:

REV: A

1-099XT

ROUGHING IN DIMENSIONS MAY VARY AND ARE SUBJECT TO CHANGE. NO RESPONSIBILITY IS ASSUMED FOR USE OF SUPERCEDED OR VOIDED DATA.