

# CHICAGO FAUCETS®

2100 SOUTH CLEARWATER DRIVE  
DES PLAINES, ILLINOIS 60018-5999

*Last As Long As The Building*

FITTING NO.

377-XTRH

SUBMITTED MODEL NO.

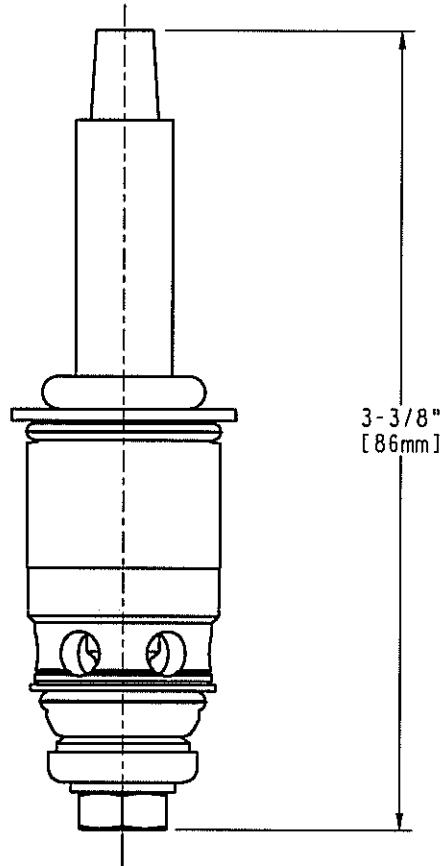
JOB NAME

ITEM NO.

SUBMITTED AS SHOWN

SUBMITTED AS NOTED

SEE ATTACHED FOR  
SUBMITTED MODIFICATION



3-3/8"  
[86mm]

DIMENSIONS IN INCHES AND [MILLIMETERS].

TECHNICAL DATA

RIGHT HAND QUATURN LONG STEM CARTRIDGE FOR CONCEALED VALVE

DATE: 11-19-02

BY: SID

CHK'D: *AT*

APP'D:

REV: A

377-XTRH

ROUGHING IN DIMENSIONS MAY VARY AND ARE SUBJECT TO CHANGE. NO RESPONSIBILITY IS ASSUMED FOR USE OF SUPERCEDED OR VOIDED DATA.