



a Geberit company

2100 South Clearwater Drive
Des Plaines, IL 60018
Phone: 847-803-5000
Fax: 847-803-5454
www.chicagofaucets.com

REPAIR PARTS

BY: JAR DATE: 10-03-11

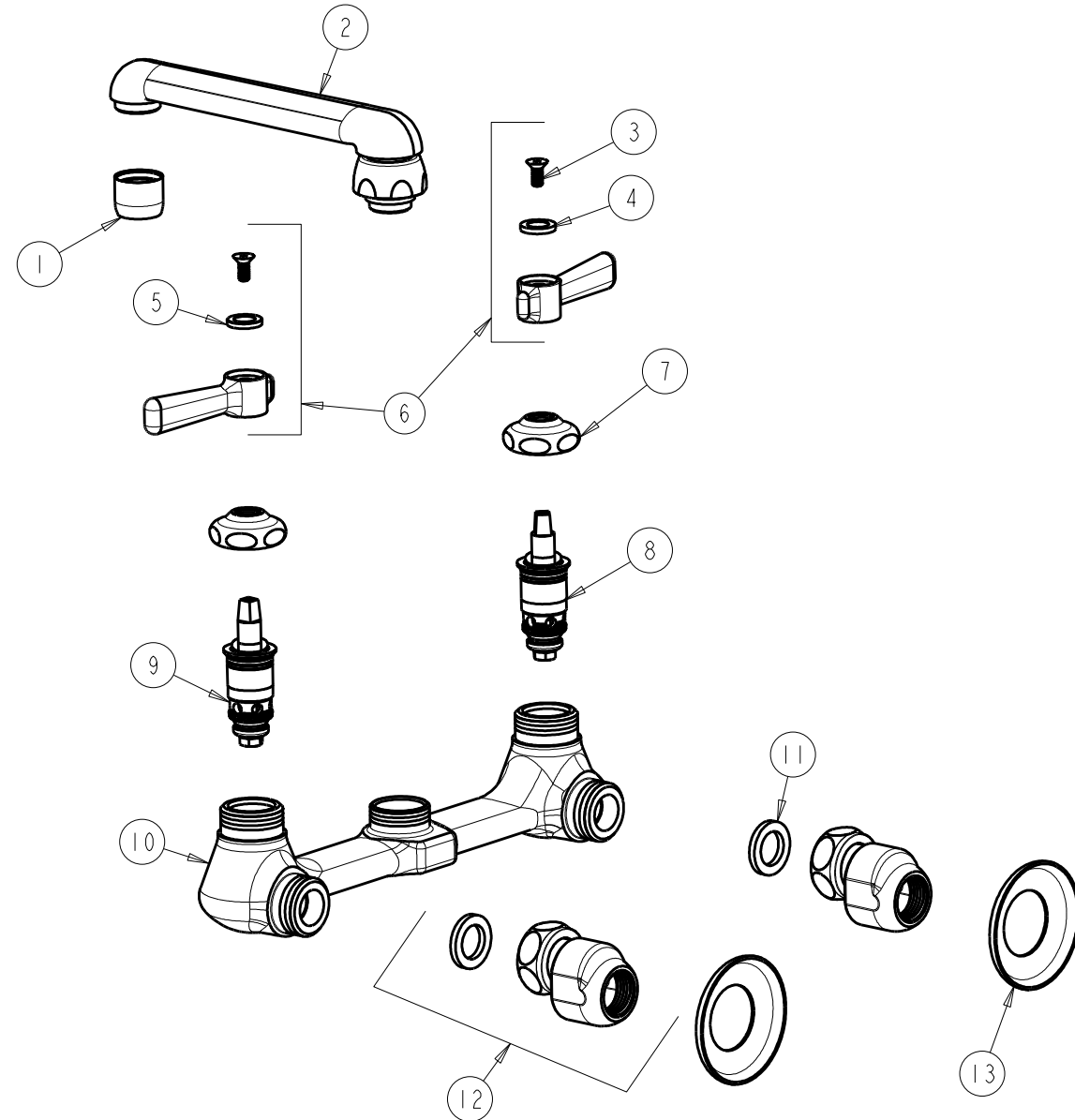
CHK: *JAR* REV: 06-22-15

FITTING NO.

540-LDABCP

SUBMITTED MODEL NO.

ITEM NO.



ITEM	PART NO.	DESCRIPTION	ITEM	PART NO.	DESCRIPTION
1	E3JKABCP	SOFTFLO AERATOR 2.2 GPM	8	1-100XTJKABNF	QUATURN CARTRIDGE (LH)
2	S6LEOJKAB	SPOUT, CAST 6" C-C	9	1-099XTJKABNF	QUATURN CARTRIDGE (RH)
3	420-020JKNF	SCREW, 1/8 FLAT HEX HEAD X 1/2	10	-----	VALVE BODY (NOT SOLD SEPARATELY)
4	633-023JKNF	INDEX BUTTON (RED)	11	1-011JKABNF	WASHER, .97 X .62 X .12
5	633-123JKNF	INDEX BUTTON (BLUE)	12	GJKABCP	ARM ASSEMBLY w/WASHER
6	369-PRJKCP	HANDLE, 2-3/8" LEVER (PAIR)	13	1-055JKCP	FLANGE
7	1-214JKCP	CAP			