



2100 South Clearwater Drive
Des Plaines, IL 60018
Phone: 847-803-5000
Fax: 847-803-5454
www.chicagofaucets.com

ROUGH-IN

FITTING NO.

835-RCF

BY: JAR

DATE: 09-30-09

SUBMITTED MODEL NO.

CHK:

REV:

FOR TECHNICAL ASSISTANCE
1-800-TEC-TRUE (1-800-832-8783)

SUBMITTED AS SHOWN

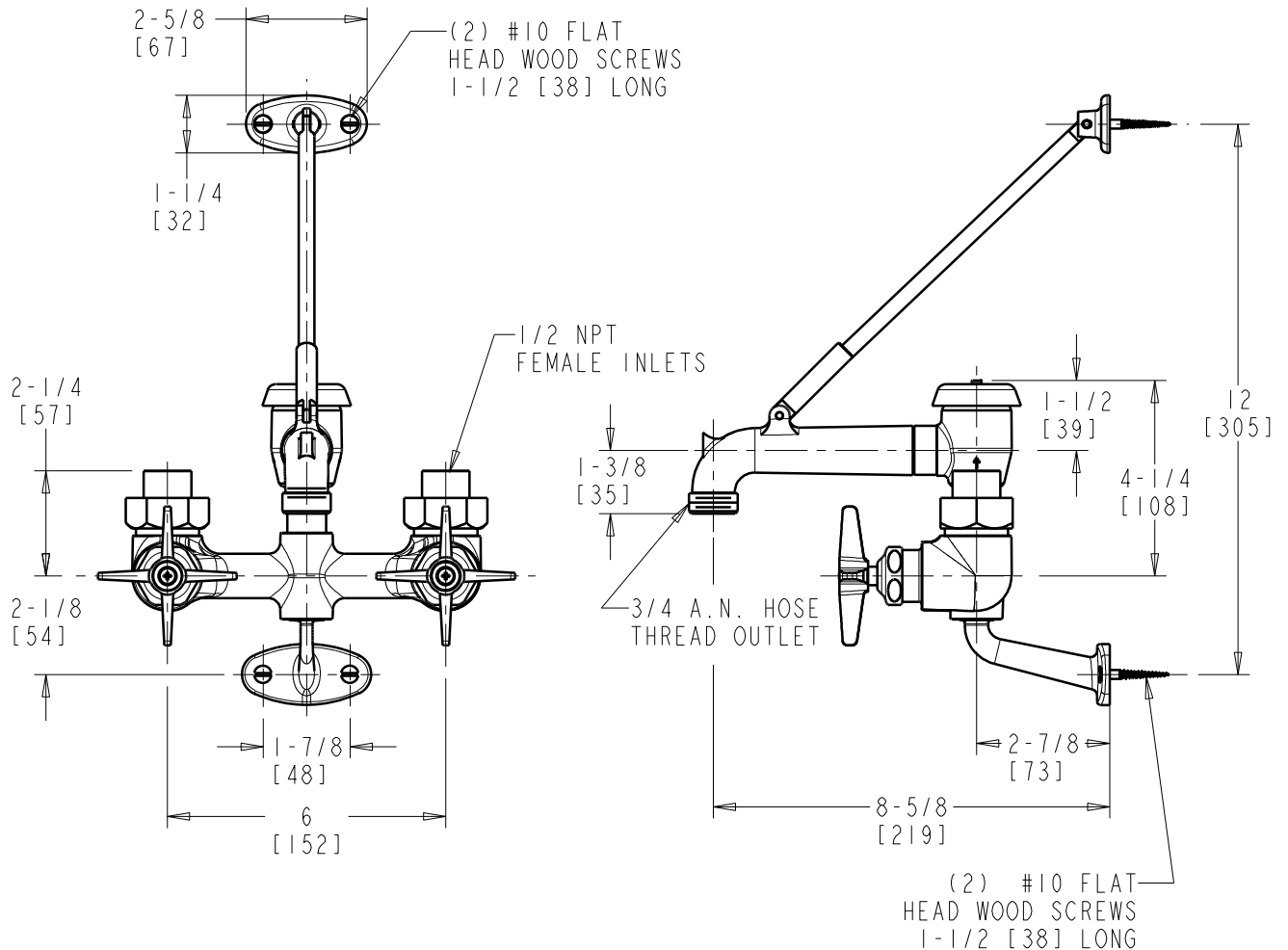
SUBMITTED AS NOTED

SEE ATTACHED FOR
SUBMITTED MODIFICATION

JOB NAME

ITEM NO.

ROUGHING IN DIMENSIONS MAY VARY AND ARE SUBJECT TO CHANGE. NO RESPONSIBILITY IS ASSUMED FOR USE OF SUPERCEDED OR VOIDED DATA.



DIMENSIONS ARE IN INCHES AND [MILLIMETERS].

TECHNICAL DATA

- EXPOSED FITTING WITH CEILING SUPPLIES
- VACUUM BREAKER SPOUT WITH PAIL HOOK AND WALL BRACE
- BODY SUPPORT BRACKET
- 633 INDEXED 4 ARM HANDLES
- QUATURN OPERATING CARTRIDGES
- FINISH: ROUGH CHROME

- ASME A112.18.1/CSA B125.1 COMPLIANT