

ROUGHING IN DIMENSIONS MAY VARY AND ARE SUBJECT TO CHANGE. NO RESPONSIBILITY IS ASSUMED FOR USE OF SUPERCEDED OR VOIDED DATA. (0192-1)



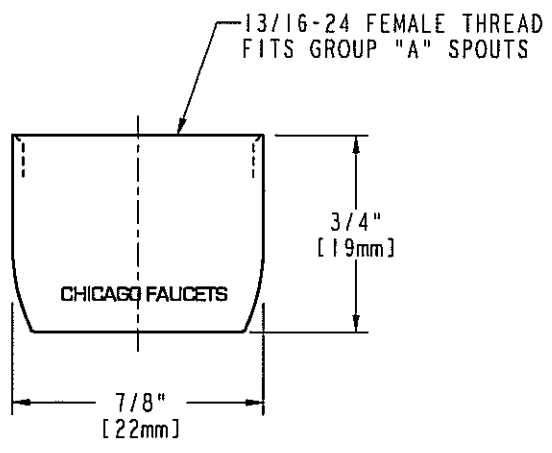
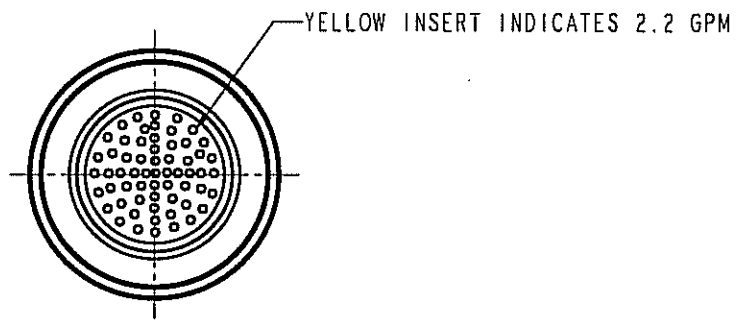
2100 SOUTH CLEARWATER DRIVE  
DES PLAINES, ILLINOIS 60018-5999

FITTING NO.
E3
SUBMITTED MODEL NO.

JOB NAME

ITEM NO.

SUBMITTED AS SHOWN	<input type="checkbox"/>
SUBMITTED AS NOTED	<input type="checkbox"/>
SEE ATTACHED FOR SUBMITTED MODIFICATION	<input type="checkbox"/>



DIMENSIONS IN INCHES AND [MILLIMETERS].

TECHNICAL DATA

- 2.2 GPM AERATOR
- MEETS ASME A112.18.1M AND CSA STANDARDS.
- POLISHED CHROME FINISH

DATE: 10-16-01  
 BY: SID  
 CHK'D: *PT*  
 APP'D: *[Signature]*  
 REV:

E3