

CONNECTICUT ELECTRIC



We Power Homes



REPLACEMENT CIRCUIT BREAKERS

connecticut-electric.com | 800-730-2557

SAFE REPLACEMENT BREAKERS BUILT TO LAST

Don't compromise on safety!
Only Connecticut Electric
manufactures **NEW**
replacement circuit breakers
that are Safety Agency
Certified to UL489.

Challenger® Type A

Federal Pacific®

Pushmatic®

Wadsworth®

Zinsco®

Choose only Connecticut Electric's line
of UBI replacement breakers for continued
protection!



CONNECTICUT
 **ELECTRIC**

We Power Homes

WARNING: Products listed in this catalog contain Nickel, which is known to the State of California to cause cancer. For more information go to www.P65Warnings.ca.gov

connecticut-electric.com | 800-730-2557

EmerGen Switch®

Manual Transfer Switch Products

DON'T LET POWER INTERRUPTIONS CONTROL YOU

In the event of a power outage, EmerGen Switch® transfer switches safely transfer from utility power to portable generator power using your existing electrical wiring. Rated for 30 amps @ 250VAC, the EmerGen Switch transfer switch is capable of switching (6) 15 amp and (4) 20 amp circuits. The Power inlet provides a 30 amp generator receptacle.

KIT INCLUDES:

- Manual Transfer Switch
- PI30 Power Outlet Box
- 10' Power Cord Set
- PVC Conduit and Fitting
- Owner's Manual

Liquid-tight between fittings and rainproof door allow these EmerGen Switch transfer switches to be used outdoors with no modification.

Built-in wattage meters permit load balancing to avoid impeding your generators output.

CONNECTICUT ELECTRIC

We Power Homes



Weight: 16.5 lbs
Dimensions: 13.5"Hx4.75"Dx8.25"W

Catalog
Number

UPC

EGS107501G2KIT

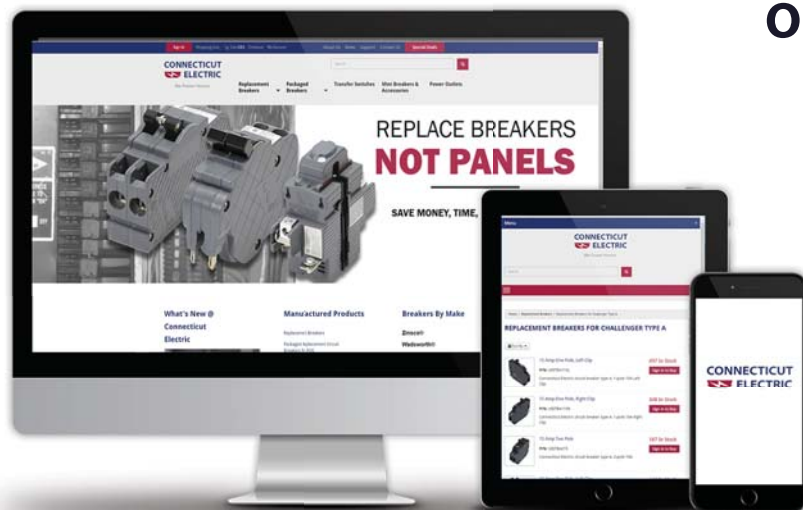


Conforms to UL Std. 1008
CAN/CSA C22.2 No. 1782



Exclusively for dealers and distributors

LOG ON to our website and TURN ON the revenue with NEW manufactured breakers



Online access gives you:

- Convenient 24/7 ordering
- Current Pricing
- Up-to-date inventory
- Instant order status and tracking

CONNECTICUT ELECTRIC

We Power Homes

www.connecticut-electric.com

TABLE OF CONTENTS

UBI BULK BREAKERS

UBITB TYPE A	1
UBIF TYPE NA	2
UBIF TYPE NC	3
UBIP TYPE P	4
UBIZ ZINSCO®	5-6
UBIA WADSWORTH™	7

MURRAY BREAKERS

MURRAY®	8-9
---------------	-----


SIEMENS BREAKERS

SIEMENS®	9-14
----------------	------

REFERENCE

COVERAGE MAP/CROSS REFERENCE	15
------------------------------------	----

VIEW-PAK BREAKERS

 PACKAGED	16-24
----------------------------------------------------------------------------------------------------	-------

ACCESSORIES AND POWER OUTLETS

PANEL ACCESSORIES	25
RV POWER OUTLETS	26

**SUITABLE REPLACEMENT FOR
CHALLENGER® A SERIES**

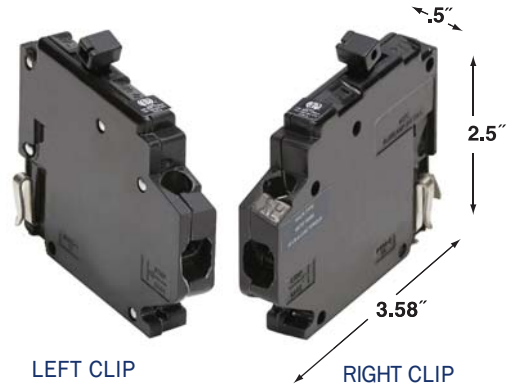


# of Poles	AMP Rating	Catalog Number	UPC
1	15	UBITBA115L	
1	15	UBITBA115R	
1	20	UBITBA120L	
1	20	UBITBA120R	
1	30	UBITBA130L	
1	30	UBITBA130R	
Sleeve Count: 10 Case Count: 120			
2	15	UBITBA215	
2	20	UBITBA220	
2	30	UBITBA230	
2	40	UBITBA240	
2	50	UBITBA250	
Sleeve Count: 10 Case Count: 60			

**Type A
One Pole-Plug In**

Requires 1/2 of One 1" Space

HACR
120VAC
10,000 AIC



**Type A
Two Pole-Plug In**

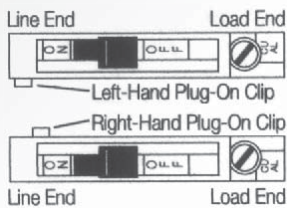
Requires One 1" Space

HACR
120/240VAC
10,000 AIC



1. One Pole Breakers Supplied

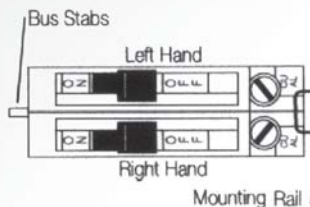
Two one-pole breakers are packed in pairs for convenience. These breakers are alike except for the position of the plug-on clip which connects the breaker to the bus stab in the panel.



Left-Hand and Right-Hand Plug-On Clips

2. To Install:

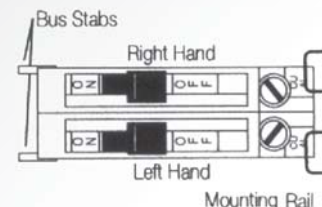
Hook load end of the breaker under the hold-down tab in the panel. Press line end of breaker down so that the plug-in clip slips over the bus stab. Insert breakers by pairs for easier installation.



Bus Stabs and Hold Down Tabs

3. Between Bus Stabs:

When required, breakers may be installed between bus stabs as shown in the drawing below.



Installation Between Bus Stabs

SUITABLE REPLACEMENT FOR **FEDERAL PACIFIC ELECTRIC®**



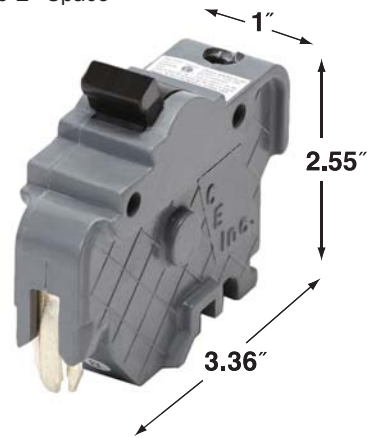
# of Poles	AMP Rating	Catalog Number	UPC
1	15	UBIF15N	0 94925 01937 7
1	20	UBIF20N	0 94925 01938 4
1	30	UBIF30N	0 94925 01939 1
1	40	UBIF40N	0 94925 41816 3
1	50	UBIF50N	0 94925 41817 0
Sleeve Count: 10 Case Count: 60			
2	15	UBIF215N	0 94925 41811 8
2	20	UBIF220N	0 94925 01940 7
2	30	UBIF230N	0 94925 01941 4
2	40	UBIF240N	0 94925 01942 1
2	50	UBIF250N	0 94925 01943 8
2	60	UBIF260N	0 94925 01944 5
2	70	UBIF270N	0 94925 41809 5
Sleeve Count: 5 Case Count: 30			
2	100	UBIF2100N	0 94925 00118 1
Sleeve Count: 5 Case Count: 30			

Thick Series One Pole-Plug In

Requires One 1" Space

HACR
120VAC
10,000 AIC

Corresponds to Federal Pacific® Electric Stab-Lok® NA Pole Series

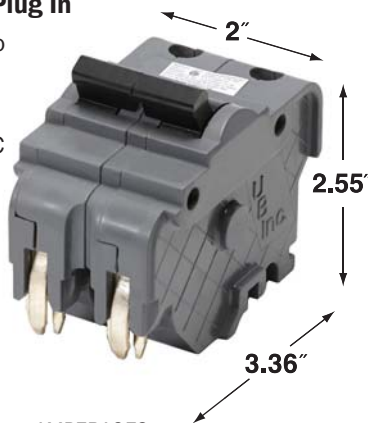


Thick Series Two Pole-Plug In

Requires Two 1" Spaces

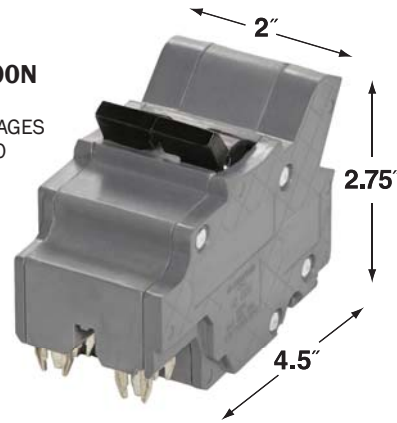
HACR
120/240VAC
10,000 AIC

Corresponds to Federal Pacific® Electric® Stab-Lok® NA Two Pole Series



UBIF2100N

AMPERAGES 100



Call us or login to your web account for current price and availability!
No web account?
 Go to: www.connecticut-electric.com



**SUITABLE REPLACEMENT FOR
FEDERAL PACIFIC ELECTRIC®**



# of Poles	AMP Rating	Catalog Number	UPC
1	15	UBIF015N	0 94925 01930 8
1	20	UBIF020N	0 94925 01931 5
1	30	UBIF030N	0 94925 01932 2
1	40	UBIF040N	0 94925 41818 7
1	50	UBIF050N	0 94925 41819 4
Sleeve Count: 20 Case Count: 60			
‡SWD Rating applies to the switching of 15 & 20 amp fluorescent lighting circuits only!			
2	15	UBIF0215N	0 94925 41810 1
2	20	UBIF0220N	0 94925 01933 9
2	25	UBIF0225N	0 94925 00120 4
2	30	UBIF0230N	0 94925 01934 6
2	35	UBIF0235N	0 94925 00335 2
2	40	UBIF0240N	0 94925 01935 3
2	45	UBIF0245N	0 94925 00337 6
2	50	UBIF0250N	0 94925 01936 0
Sleeve Count: 10 Case Count: 30			

**Thin Series
One Pole-Plug In**

Requires 1/2 of One 1" Space

SWD Rated‡
120VAC
10,000 AIC

Corresponds to Federal Pacific Electric® Stab-Lok® NC One Pole Series



**Thin Series
Two Pole-Plug In**

Requires One 1" Space

HACR
120/240 VAC
10,000 AIC

Corresponds to Federal Pacific Electric® Stab-Lok® NC Two Pole Series



**Call us or login to your web account
for current price and availability!**

No web account?

Go to: www.connecticut-electric.com



SUITABLE REPLACEMENT FOR
PUSHMATIC®



UBIP TYPE P BREAKERS

# of Poles	AMP Rating	Catalog Number	UPC
1	15	UBIP115	
1	20	UBIP120	
1	30	UBIP130	
Sleeve Count: 10 Case Count: 150			
‡SWD Rating applies to the switching of 15 & 20 amp fluorescent lighting circuits only!			
2 Singles 15/15		UBIP1515	
2 Singles 15/20		UBIP1520	
2 Singles 20/20		UBIP2020	
Sleeve Count: 10 Case Count: 150			
2	15	UBIP215	
2	20	UBIP220	
2	30	UBIP230	
2	40	UBIP240	
2	50	UBIP250	
2	60	UBIP260	
2	70	UBIP270	
2	100	UBIP2100	
Sleeve Count: 5 Case Count: 60			

One Pole-Bolt On

SWD Rated‡
120VAC
10,000 AIC

Corresponds to
Pushmatic®
One Pole Series



Twin Pole-Bolt On

SWD Rated‡
120VAC
10,000 AIC

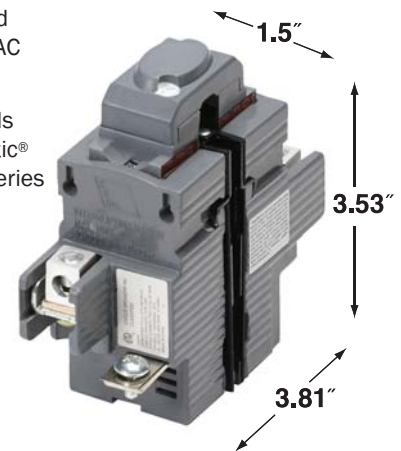
Corresponds to
Pushmatic®
Twin Pole
Series



Two Pole-Bolt On

HACR Rated
120/240VAC
10,000 AIC

Corresponds
to Pushmatic®
Two Pole Series



UBIZ ZINSCO®



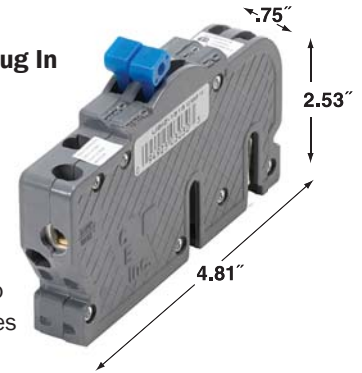
# of Poles	AMP Rating	Catalog Number	UPC
2 Singles	15/15	UBIZ1515 (R3815)	0 94925 03030 3
2 Singles	15/20	UBIZ1520 (R381520)	0 94925 03028 0
2 Singles	20/20	UBIZ2020 (R3820)	0 94925 03031 0
2 Singles	30/30	UBIZ3030 (R3830)	0 94925 03032 7
2	15	UBIZ0215 (RC3815)	0 94925 03027 3
2	20	UBIZ0220 (RC3820)	0 94925 03033 4
2	25	UBIZ0225 (RC3825)	0 94925 00339 0
2	30	UBIZ0230 (RC3830)	0 94925 03034 1
2	35	UBIZ0235 (RC3835)	0 94925 03022 8
2	40	UBIZ0240 (RC3840)	0 94925 03035 8
2	45	UBIZ0245 (RC3845)	0 94925 03023 5
2	50	UBIZ0250 (RC3850)	0 94925 03036 5
2	60	UBIZ0260 (RC3860)	0 94925 03037 2
Sleeve Count: 6 Case Count: 24			
	125	UBIZRBK12	0 94925 00346 8
2	125	UBITBFP1252	0 94925 00747 3
2	150	UBITBFP1502	0 94925 00748 0
2	175	UBITBFP1752	0 94925 02936 9
2	200	UBITBFP2002	0 94925 00746 6

**Thin Series
Twin Pole-Plug In**

Requires One
3/4" Space

SWD Rated†
120VAC
10,000 AIC

Corresponds to
Zinsco® R Series

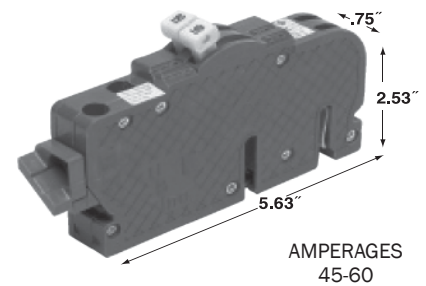
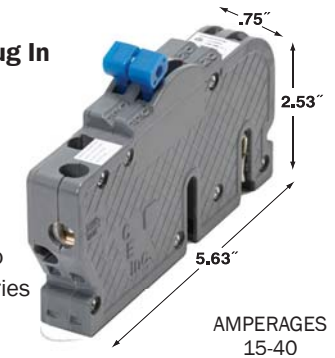


**Thin Series
Two Pole-Plug In**

Requires One
3/4" Space

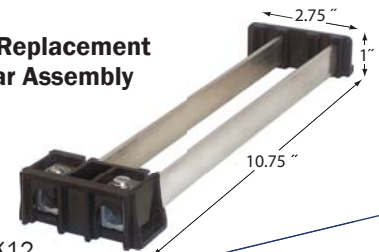
HACR
120/240VAC
10,000 AIC

Corresponds to
Zinsco® RC Series



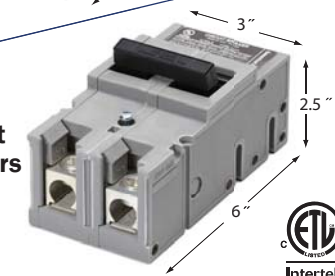
**Zinsco Replacement
Buss Bar Assembly**

UBIZRBK12



**Zinsco
Replacement
Main Breakers
Type QFP**

UBITBFP's



UBIZ ZINSCO®



UBIZ ZINSCO BREAKERS

# of Poles	AMP Rating	Catalog Number	UPC
1	15	UBIZ15 (Q15)	0 94925 03038 9
1	20	UBIZ20 (Q20)	0 94925 03039 6
1	30	UBIZ30 (Q30)	0 94925 03040 2
1	40	UBIZ40 (Q40)	0 94925 00344 4
1	50	UBIZ50 (Q50)	0 94925 00345 1
Sleeve Count: 6 Case Count: 24		‡SWD Rating applies to the switching of 15 & 20 amp fluorescent lighting circuits only!	
Catalog numbers in parentheses denote former Zinsco® part numbers.			
2	15	UBIZ215 (QC15)	0 94925 03029 7
2	20	UBIZ220 (QC20)	0 94925 03041 9
2	30	UBIZ230 (QC30)	0 94925 03042 6
2	40	UBIZ240 (QC40)	0 94925 03043 3
2	50	UBIZ250 (QC50)	0 94925 03044 0
2	60	UBIZ260 (QCAL60)	0 94925 03045 7
2	70	UBIZ270 (QCAL70)	0 94925 41812 5
2	80	UBIZ280 (QCAL80)	0 94925 41813 2
2	90	UBIZ290 (QCAL90)	0 94925 41814 9
2	100	UBIZ2100 (QCAL100)	0 94925 03046 4
2	125	UBIZ2125 (QCAL125)	0 94925 41815 6

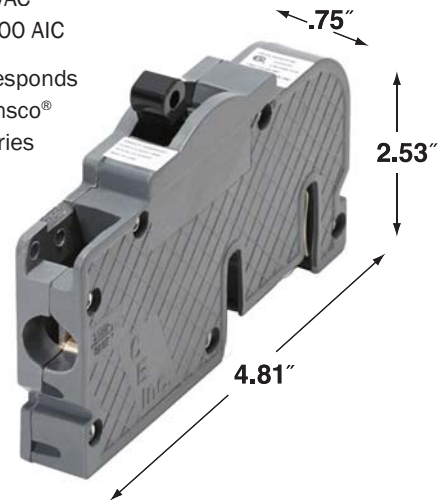
Sleeve Count: 3
Case Count: 72

Thick Series One Pole-Plug In

Requires One 3/4" Space

SWD Rated*
120VAC
10,000 AIC

Corresponds to Zinsco® Q Series

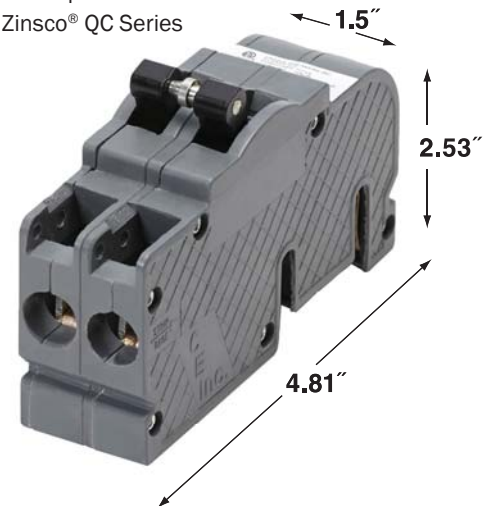


Thick Series Two Pole-Plug In

Requires Two 3/4" Spaces

HACR
120/240VAC
10,000 AIC

Corresponds to Zinsco® QC Series



UBIA WADSWORTH™
FOR USE IN WADSWORTH LOAD CENTERS

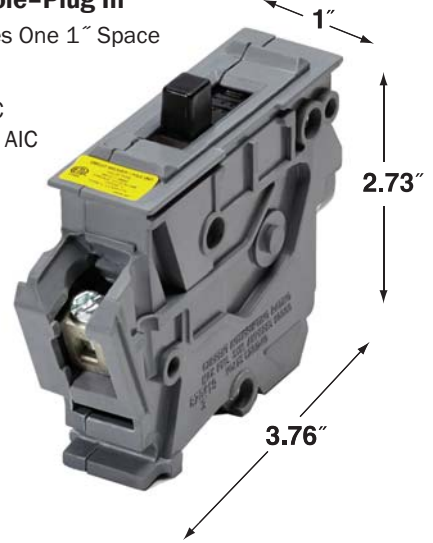


# of Poles	AMP Rating	Catalog Number	UPC
1	15	UBIA15NI	0 94925 00810 4
1	20	UBIA20NI	0 94925 00811 1
1	30	UBIA30NI	0 94925 00812 8
1	40	UBIA40NI	0 94925 00813 5
1	50	UBIA50NI	0 94925 00814 2
Case Count: 24			
*Twin sizes available. See VIEWPAK section page 22			
2	15	UBIA215NI	0 94925 00815 9
2	20	UBIA220NI	0 94925 00816 6
2	30	UBIA230NI	0 94925 00817 3
2	40	UBIA240NI	0 94925 00818 0
2	50	UBIA250NI	0 94925 00819 7
2	60	UBIA260NI	0 94925 00820 3
2	70	UBIA270NI	0 94925 00821 0
2	80	UBIA280NI	0 94925 00830 2
2	90	UBIA290NI	0 94925 00822 7
2	100	UBIA2100NI	0 94925 00823 4

Case Count: 12

**Type A
One Pole-Plug In**
Requires One 1" Space

HACR
120VAC
10,000 AIC



**Type A
Two Pole-Plug In**
Requires Two 1" Spaces

HACR
120/240VAC
10,000 AIC



MURRAY®



MURRAY BREAKERS

# of Poles	AMP Rating	Catalog Number	UPC
1	15	MURMP115	0 40892 51888 7
1	20	MURMP120	0 40892 51889 4
1	30	MURMP130	0 40892 51891 7
1	40	MURMP140	0 40892 51892 4
1	50	MURMP150	0 40892 51900 6
Sleeve Count: 12 Case Count: 48			
2	15	MURMP215	0 40892 51893 1
2	20	MURMP220	0 40892 51894 8
2	30	MURMP230	0 40892 51896 2
2	40	MURMP240	0 40892 51897 9
2	50	MURMP250	0 40892 51898 6
2	60	MURMP260	0 40892 51899 3
2	70	MURMP270	0 40892 27980 1
2	80	MURMP280	0 40892 27990 0
2	90	MURMP290	0 40892 28000 5
2	100	MURMP2100	0 40892 50755 3
2	125	MURMP2125	0 40892 28119 4
Sleeve Count: 6 Case Count: 24			

**Type MP-T
One Pole-Plug In**

Requires One
1" Space

HACR
SWD Rated
120VAC
10,000 AIC



**Type MP-T
Two Pole-Plug In**

Requires Two 1" Spaces

HACR
120/240VAC
10,000 AIC



MURRAY®

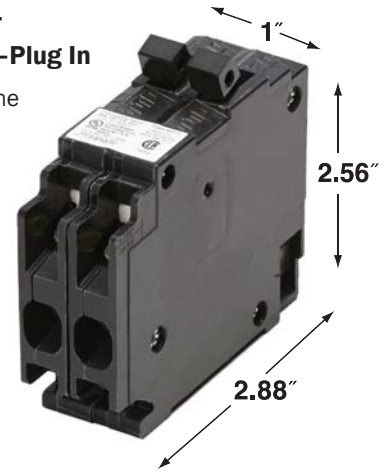


# of Poles	AMP Rating	Catalog Number	UPC
2 Singles	15/15	MURMP1515	0 40892 28060 9
2 Singles	15/20	MURMP1520	0 40892 52199 3
2 Singles	20/20	MURMP2020	0 40892 28110 1
2 Singles	30/30	MURMP3030	0 40892 50776 8
Sleeve Count: 12 Case Count: 48			

**Type MH-T
Twin Pole-Plug In**

Requires One
1" Space

HACR
120VAC
10,000 AIC



SIEMENS®

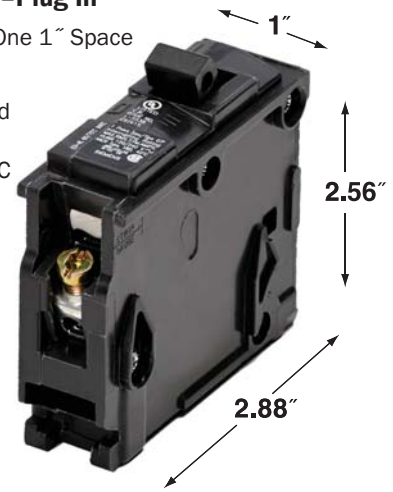


# of Poles	AMP Rating	Catalog Number	UPC
1	15	ITEQ115	7 83643 14818 5
1	20	ITEQ120	7 83643 14819 2
1	30	ITEQ130	7 83643 14821 5
1	40	ITEQ140	7 83643 14822 2
1	50	ITEQ150	7 83643 14823 9
Sleeve Count: 12 Case Count: 48			

**Type QP
One Pole-Plug In**

Requires One 1" Space

HACR
SWD Rated
120VAC
10,000 AIC



**Call us or login to your web account
for current price and availability!**

No web account?

Go to: www.connecticut-electric.com



SIEMENS®

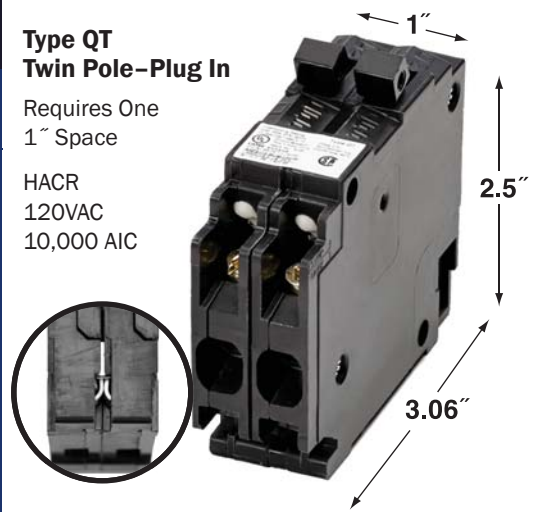


# of Poles	AMP Rating	Catalog Number	UPC
2 Singles	15/15	ITEQ1515	7 83643 14824 6
2 Singles	15/20	ITEQ1520	7 83643 14825 3
2 Singles	20/20	ITEQ2020	7 83643 14826 0
2 Singles	30/15	ITEQ3015	7 83643 15658 6
2 Singles	30/30	ITEQ3030	7 83643 15653 1
Sleeve Count: 12 Case Count: 48			
2 Singles	15/15	ITEQ1515NC	7 83643 15660 9
2 Singles	15/20	ITEQ1520NC	7 83643 15661 6
2 Singles	20/20	ITEQ2020NC	7 83643 15662 3
Sleeve Count: 12 Case Count: 48			
2	15	ITEQ215	7 83643 14835 2
2	20	ITEQ220	7 83643 14836 9
2	25	ITEQ225	7 83643 14837 6
2	30	ITEQ230	7 83643 14838 3
2	35	ITEQ235	7 83643 16765 0
2	40	ITEQ240	7 83643 14863 5
2	45	ITEQ245	7 83643 16778 0
2	50	ITEQ250	7 83643 14864 2
2	60	ITEQ260	7 83643 14865 9

**Type QT
Twin Pole-Plug In**

Requires One
1" Space

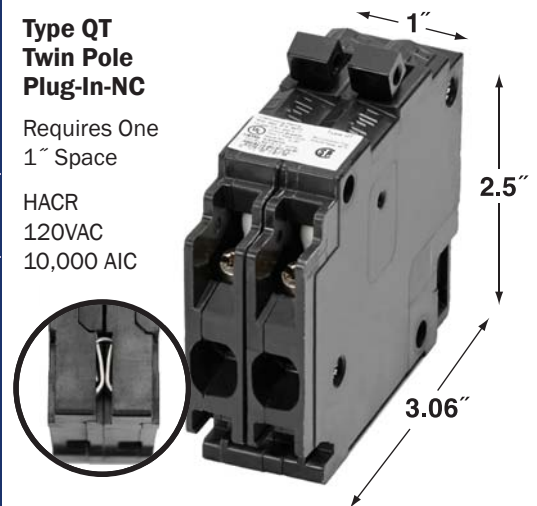
HACR
120VAC
10,000 AIC



**Type QT
Twin Pole
Plug-In-NC**

Requires One
1" Space

HACR
120VAC
10,000 AIC



Siemens twin breakers have two different styles. The "NC" style has no rejection clip and is suitable for use in load centers made before 1969.

 **ITEQ Type QP Two Pole-Plug In parts shown on next page.**



SIEMENS®



# of Poles	AMP Rating	Catalog Number	UPC
2	70	ITEQ270	7 83643 14866 6
2	80	ITEQ280	7 83643 15674 6
2	90	ITEQ290	7 83643 14867 3
2	100	ITEQ2100	7 83643 14868 0
2	125	ITEQ2125	7 83643 14869 7
Sleeve Count: 6 Case Count: 24			
2	150	ITEMBK150	7 83643 15897 9
2	200	ITEMBK200	7 83643 15898 6
3	20	ITEQ320	7 83643 14840 6
3	30	ITEQ330	7 83643 14841 3
3	60	ITEQ360	7 83643 14844 4
3	100	ITEQ3100	7 83643 14847 5
Sleeve Count: 4 Case Count: 16			

**Type QP
Two Pole-Plug In**

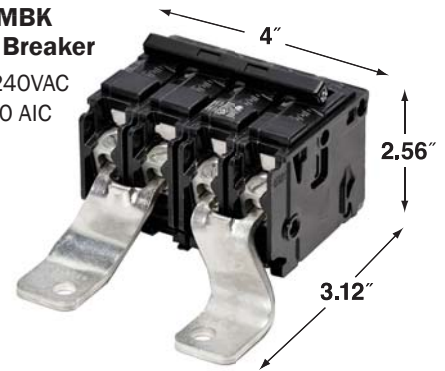
Requires Two 1" Spaces

HACR
120/240VAC
10,000 AIC



**Type MBK
Main Breaker**

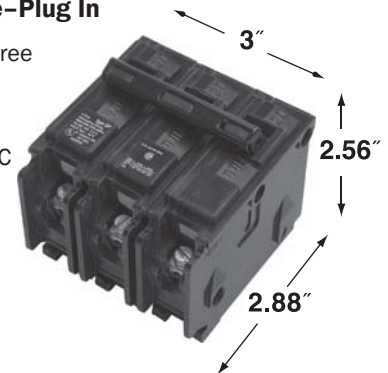
120/240VAC
22,000 AIC



**Type QP
Three Pole-Plug In**

Requires Three
1" Spaces

HACR
277/480VAC
10,000 AIC



**Call us or login to your web account
for current price and availability!**

No web account?

Go to: www.connecticut-electric.com



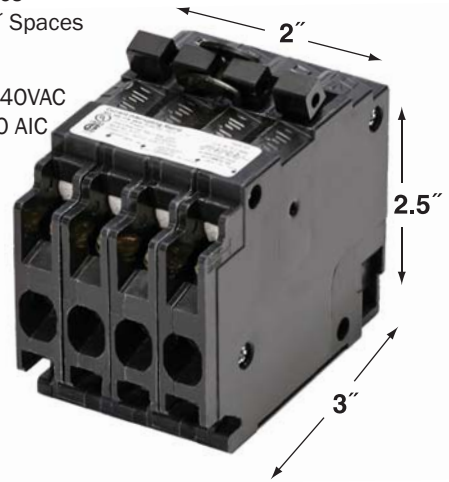


# of Poles	AMP Rating	Catalog Number	UPC
4	2 SETS 15/30	ITEQ21530CT	7 83643 19496 1
4	2 SETS 20/20	ITEQ22020CT	7 83643 19499 1
4	2 SETS 20/20	ITEQ22020CT2	7 83643 08392 9
4	2 SETS 30/30	ITEQ23030CT2	7 83643 08394 3
4	2 SETS 30/50	ITEQ23050CT2	7 83643 08398 1
4	2 SETS 40/20	ITEQ24020CT2	7 83643 08395 0
4	2 SETS 40/30	ITEQ24030CT2	7 83643 08396 7
4	2 SETS 40/40	ITEQ24040CT2	7 83643 08397 4
Sleeve Count: 4 Case Count: 16			

**Type QT
Quad Pole-Plug In
Common Trip Centers**

Requires
Two 1" Spaces

HACR
120/240VAC
10,000 AIC



**Part numbers ending in CT have two pole common trip centers.
Part numbers ending in CT2 have common trip centers and outside poles, creating (2) two pole breakers in just a 2" package!**

1	15	ITED115	7 83643 23962 3
1	20	ITED120	7 83643 23963 0
1	30	ITED130	7 83643 23964 7
1	40	ITED140	7 83643 23965 4
1	50	ITED150	7 83643 23966 1
Sleeve Count: 16 Case Count: 64			

**Type QD
One Pole-Plug In**

Requires One
3/4" Space

HACR SWD Rated
120VAC
10,000 AIC

Suitable
Replacement
for QO®
Square D®
Breakers.



SIEMENS®

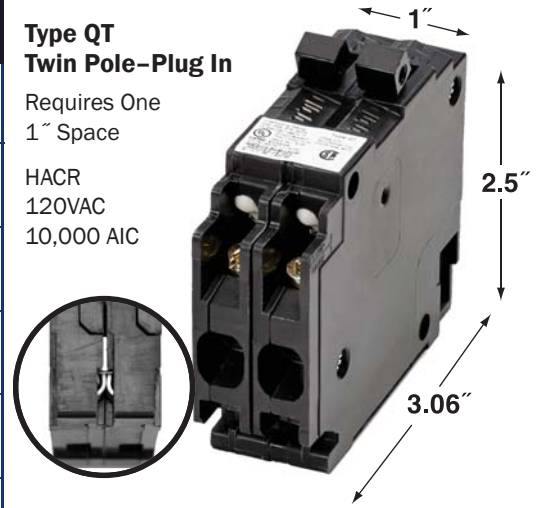


# of Poles	AMP Rating	Catalog Number	UPC
2 Singles	15/15	ITEQ1515	7 83643 14824 6
2 Singles	15/20	ITEQ1520	7 83643 14825 3
2 Singles	20/20	ITEQ2020	7 83643 14826 0
2 Singles	30/15	ITEQ3015	7 83643 15658 6
2 Singles	30/30	ITEQ3030	7 83643 15653 1
Sleeve Count: 12 Case Count: 48			
2 Singles	15/15	ITEQ1515NC	7 83643 15660 9
2 Singles	15/20	ITEQ1520NC	7 83643 15661 6
2 Singles	20/20	ITEQ2020NC	7 83643 15662 3
Sleeve Count: 12 Case Count: 48			
2	15	ITEQ215	7 83643 14835 2
2	20	ITEQ220	7 83643 14836 9
2	25	ITEQ225	7 83643 14837 6
2	30	ITEQ230	7 83643 14838 3
2	35	ITEQ235	7 83643 16765 0
2	40	ITEQ240	7 83643 14863 5
2	45	ITEQ245	7 83643 16778 0
2	50	ITEQ250	7 83643 14864 2
2	60	ITEQ260	7 83643 14865 9

**Type QT
Twin Pole-Plug In**

Requires One
1" Space

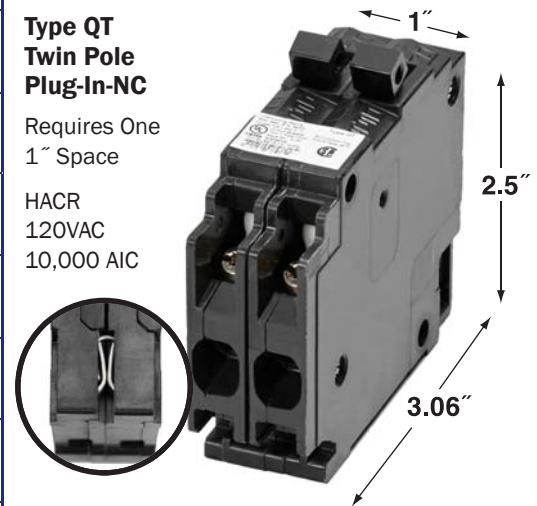
HACR
120VAC
10,000 AIC



**Type QT
Twin Pole
Plug-In-NC**

Requires One
1" Space

HACR
120VAC
10,000 AIC



Siemens twin breakers have two different styles. The "NC" style has no rejection clip and is suitable for use in load centers made before 1969.

ITEQ Type QP Two Pole-Plug In parts shown on next page.

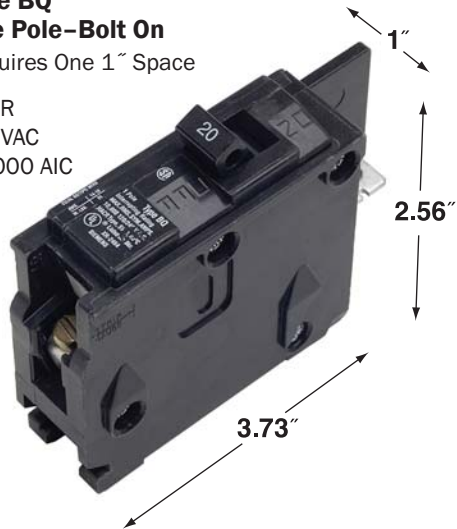




# of Poles	AMP Rating	Catalog Number	UPC
1	15	ITEBQ1B015	7 83643 10230 9
1	20	ITEBQ1B020	7 83643 10232 3
1	30	ITEBQ1B030	7 83643 10234 7
1	40	ITEBQ1B040	7 83643 10236 1
1	50	ITEBQ1B050	7 83643 10238 5
Sleeve Count: 12 Case Count: 24			
2	15	ITEBQ2B015	7 83643 10240 8
2	20	ITEBQ2B020	7 83643 10241 5
2	30	ITEBQ2B030	7 83643 10242 2
2	40	ITEBQ2B040	7 83643 10243 9
2	50	ITEBQ2B050	7 83643 10244 6
2	60	ITEBQ2B060	7 83643 10245 3
Sleeve Count: 6 Case Count: 24			
2	20	ITEQF220A	7 83643 14855 0
2	30	ITEQF230A	7 83643 14856 7
2	60	ITEQF260A	7 83643 27377 1
Case Count: 10			

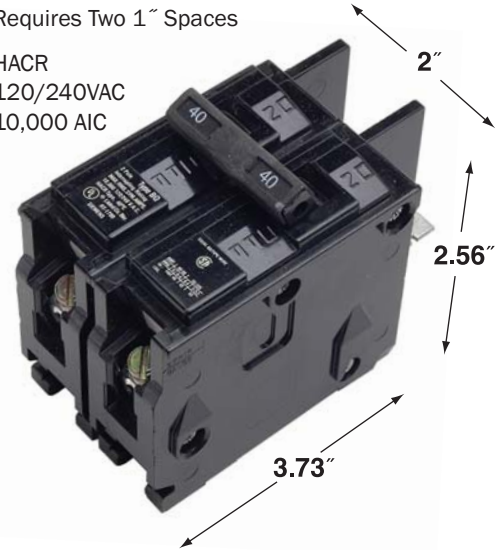
**Type BQ
One Pole-Bolt On**

Requires One 1" Space
HACR
120VAC
10,000 AIC



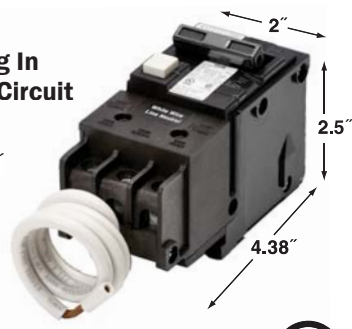
**Type BQ
Two Pole-Bolt On**

Requires Two 1" Spaces
HACR
120/240VAC
10,000 AIC



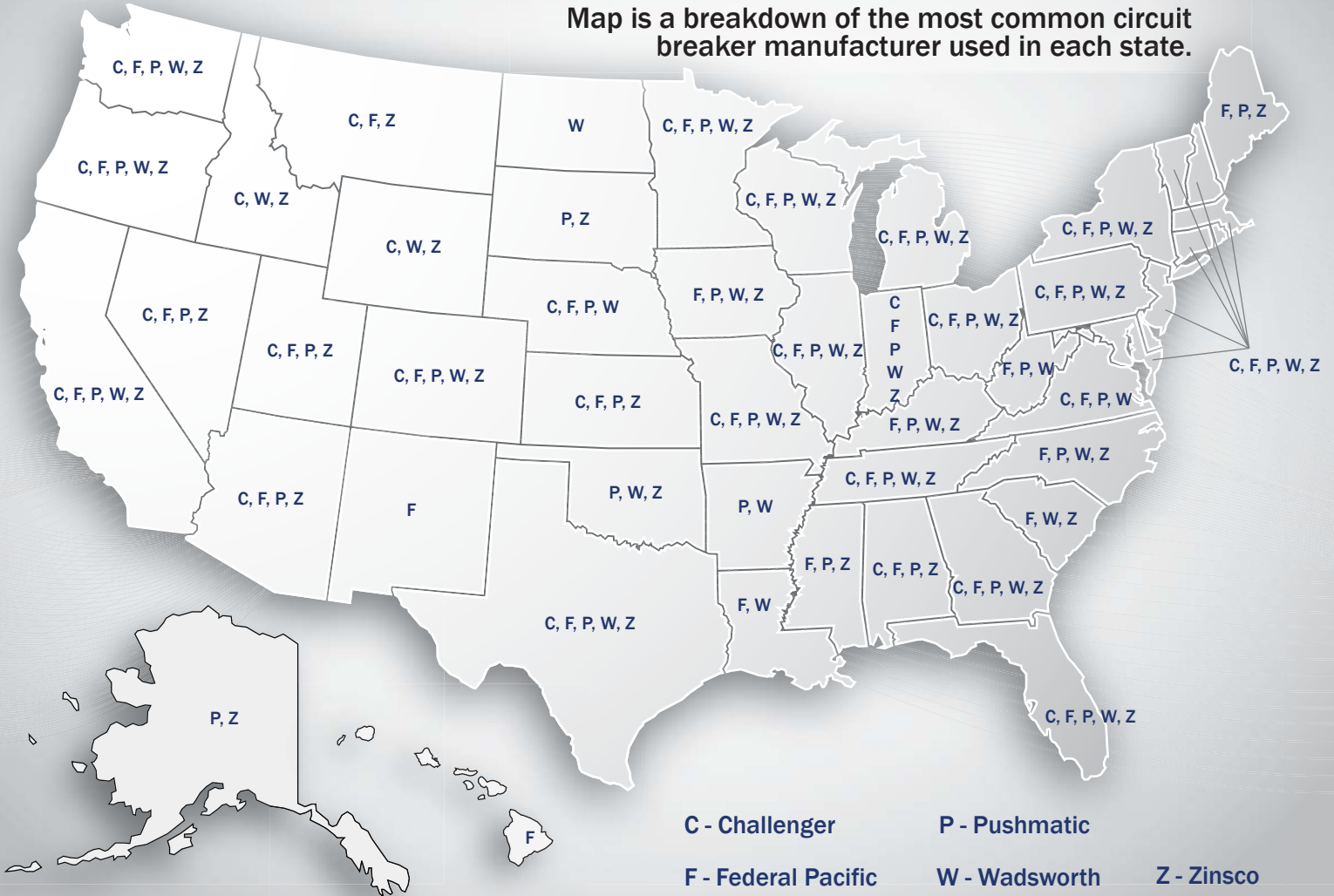
**Type QPF
Two Pole-Plug In
Ground Fault Circuit
Interrupter**

Requires Two 1" Spaces
120/240VAC
10,000 AIC



NATIONAL CIRCUIT BREAKER MANUFACTURER COVERAGE

Map is a breakdown of the most common circuit breaker manufacturer used in each state.



LOAD CENTER AND CIRCUIT BREAKER CROSS-REFERENCE

YOUR PANEL:	Cutler-Hammer	Federal Pacific	General Electric	Homeline	Pushmatic	Zinsco	
WILL ACCEPT THESE BREAKERS:	Cutler-Hammer CH Series	Federal UBIF	General Electric	Homeline	Pushmatic UBIP	Zinsco UBIZ	
YOUR PANEL:	ITE Siemens	Crouse Hinds	Westinghouse	Montgomery Ward	General Switch	Challenger	Wadsworth
WILL ACCEPT THESE BREAKERS:	Crouse Hinds/Murray Cutler-Hammer BR GE-Thick Homeline Westinghouse Montgomery Ward Siemens	Crouse Hinds/Murray Bryant Cutler-Hammer BR GE-Thick General Switch Homeline Siemens Westinghouse	Crouse Hinds/Murray Bryant Cutler-Hammer BR GE-Thick General Switch Homeline Siemens Westinghouse	Crouse Hinds/Murray Bryant Cutler-Hammer BR GE-Thick General Switch Homeline Siemens Westinghouse	Crouse Hinds/Murray Bryant Cutler-Hammer BR GE-Thick General Switch Homeline Siemens Westinghouse	Crouse Hinds/Murray Bryant Challenger A Series Challenger C Series Cutler-Hammer BR GE-Thick General Switch Homeline Siemens Westinghouse	Wadsworth UBIA

SUITABLE REPLACEMENT FOR
CHALLENGER® A SERIES



VIEW-PAK UBITB TYPE A BREAKERS

Catalog Number	Product Description	Breaker Page No.	UPC
Packaged UBITB Type A			
VPKA115L	Challenger™ circuit breaker type A 1-pole 15A, left hand clip Clamshell packaged	1	0 94925 01909 4
VPKA115R	Challenger™ circuit breaker type A 1-pole 15A, right hand clip Clamshell packaged	1	0 94925 01892 9
VPKA120L	Challenger™ circuit breaker type A 1-pole 20A, left hand clip Clamshell packaged	1	0 94925 01893 6
VPKA120R	Challenger™ circuit breaker type A 1-pole 20A, right hand clip Clamshell packaged	1	0 94925 01894 3
VPKA130L	Challenger™ circuit breaker type A 1-pole 30A, left hand clip Clamshell packaged	1	0 94925 01895 0
VPKA130R	Challenger™ circuit breaker type A 1-pole 30A, right hand clip Clamshell packaged	1	0 94925 01896 7
VPKA215	Challenger™ circuit breaker type A 2-pole 15A, Clamshell packaged	1	0 94925 01919 3
VPKA220	Challenger™ circuit breaker type A 2-pole 20A, Clamshell packaged	1	0 94925 01912 4
VPKA230	Challenger™ circuit breaker type A 2-pole 30A, Clamshell packaged	1	0 94925 01913 1
VPKA240	Challenger™ circuit breaker type A 2-pole 40A, Clamshell packaged	1	0 94925 01914 8
VPKA250	Challenger™ circuit breaker type A 2-pole 50A, Clamshell packaged	1	0 94925 01915 5



View-Pak circuit breakers from Connecticut Electric, Inc. come in versatile packaging.

The box can be configured for an on-the-shelf dispenser or the convenient clamshell packaging can be displayed on pegs. View-Pak breakers are ideal for any retail situation!

SUITABLE REPLACEMENT FOR
FEDERAL PACIFIC ELECTRIC®



Catalog Number	Product Description	Breaker Page No.	UPC
Packaged UBIF			
VPKUBIF015N	Connecticut Electric circuit breaker type UBIF (thin) 1-pole 15A Clamshell packaged	3	0 94925 00600 1
VPKUBIF020N	Connecticut Electric circuit breaker type UBIF (thin) 1-pole 20A Clamshell packaged	3	0 94925 00601 8
VPKUBIF030N	Connecticut Electric circuit breaker type UBIF (thin) 1-pole 30A Clamshell packaged	3	0 94925 00602 5
VPKUBIF040N	Connecticut Electric circuit breaker type UBIF (thin) 1-pole 40A Clamshell packaged	3	0 94925 00621 6
VPKUBIF050N	Connecticut Electric circuit breaker type UBIF (thin) 1-pole 50A Clamshell packaged	3	0 94925 00622 3
VPKUBIF0215N	Connecticut Electric circuit breaker type UBIF (thin) 2-pole 15A Clamshell packaged	3	0 94925 00616 2
VPKUBIF0220N	Connecticut Electric circuit breaker type UBIF (thin) 2-pole 20A Clamshell packaged	3	0 94925 00603 2
VPKUBIF0225N	Connecticut Electric circuit breaker type UBIF (thin) 2-pole 25A Clamshell packaged	3	0 94925 00212 6
VPKUBIF0230N	Connecticut Electric circuit breaker type UBIF (thin) 2-pole 30A Clamshell packaged	3	0 94925 00604 9
VPKUBIF0235N	Connecticut Electric circuit breaker type UBIF (thin) 2-pole 35A Clamshell packaged	3	0 94925 00336 9
VPKUBIF0240N	Connecticut Electric circuit breaker type UBIF (thin) 2-pole 40A Clamshell packaged	3	0 94925 00605 6
VPKUBIF0245N	Connecticut Electric circuit breaker type UBIF (thin) 2-pole 45A Clamshell packaged	3	0 94925 00338 3
VPKUBIF0250N	Connecticut Electric circuit breaker type UBIF (thin) 2-pole 50A Clamshell packaged	3	0 94925 00606 3
VPKUBIF15N	Connecticut Electric circuit breaker type UBIF (thick) 1-pole 15A Clamshell packaged	2	0 94925 00607 0
VPKUBIF20N	Connecticut Electric circuit breaker type UBIF (thick) 1-pole 20A Clamshell packaged	2	0 94925 00608 7

SUITABLE REPLACEMENT FOR
FEDERAL PACIFIC ELECTRIC® AND PUSHMATIC®



VIEW-PAK UBIF & UBIP BREAKERS

Catalog Number	Product Description	Breaker Page No.	UPC
Packaged UBIF			
VPKUBIF30N	Connecticut Electric circuit breaker type UBIF (thick) 1-pole 30A Clamshell packaged	2	0 94925 00609 4
VPKUBIF40N	Connecticut Electric circuit breaker type UBIF (thick) 1-pole 40A Clamshell packaged	2	0 94925 01837 0
VPKUBIF50N	Connecticut Electric circuit breaker type UBIF (thick) 1-pole 50A Clamshell packaged	2	0 94925 01838 7
VPKUBIF215N	Connecticut Electric circuit breaker type UBIF (thick) 2-pole 15A Clamshell packaged	2	0 94925 00617 9
VPKUBIF220N	Connecticut Electric circuit breaker type UBIF (thick) 2-pole 20A Clamshell packaged	2	0 94925 00610 0
VPKUBIF230N	Connecticut Electric circuit breaker type UBIF (thick) 2-pole 30A Clamshell packaged	2	0 94925 00611 7
VPKUBIF240N	Connecticut Electric circuit breaker type UBIF (thick) 2-pole 40A Clamshell packaged	2	0 94925 00612 4
VPKUBIF250N	Connecticut Electric circuit breaker type UBIF (thick) 2-pole 50A Clamshell packaged	2	0 94925 00613 1
VPKUBIF260N	Connecticut Electric circuit breaker type UBIF (thick) 2-pole 60A Clamshell packaged	2	0 94925 00614 8
VPKUBIF270N	Connecticut Electric circuit breaker type UBIF (thick) 2-pole 70A Clamshell packaged	2	0 94925 00618 6
VPKUBIF2100N	Connecticut Electric circuit breaker type UBIF (thick) 2-pole 100A Clamshell packaged	2	0 94925 00119 8
Packaged UBIP			
VPKUBIP115	Connecticut Electric circuit breaker type UBIP 1-pole 15A Clamshell packaged	4	0 94925 00400 7
VPKUBIP120	Connecticut Electric circuit breaker type UBIP 1-pole 20A Clamshell packaged	4	0 94925 00401 4
VPKUBIP130	Connecticut Electric circuit breaker type UBIP 1-pole 30A Clamshell packaged	4	0 94925 00402 1
VPKUBIP215	Connecticut Electric circuit breaker type UBIP 2-pole 15A Clamshell packaged	4	0 94925 00411 3
VPKUBIP220	Connecticut Electric circuit breaker type UBIP 2-pole 20A Clamshell packaged	4	0 94925 00405 2

SUITABLE REPLACEMENT FOR
PUSHMATIC® AND ZINSCO®



Catalog Number	Product Description	Breaker Page No.	UPC
Packaged UBIP			
VPKUBIP230	Connecticut Electric circuit breaker type UBIP 2-pole 30A Clamshell packaged	4	0 94925 00406 9
VPKUBIP240	Connecticut Electric circuit breaker type UBIP 2-pole, 40A Clamshell packaged	4	0 94925 00407 6
VPKUBIP250	Connecticut Electric circuit breaker type UBIP 2-pole, 50A Clamshell packaged	4	0 94925 00408 3
VPKUBIP260	Connecticut Electric circuit breaker type UBIP 2-pole, 60A Clamshell packaged	4	0 94925 00409 0
VPKUBIP270	Connecticut Electric circuit breaker type UBIP 2-pole, 70A Clamshell packaged	4	0 94925 00414 4
VPKUBIP2100	Connecticut Electric circuit breaker type UBIP 2-pole, 100A Clamshell packaged	4	0 94925 00413 7
VPKUBIP1515	Connecticut Electric circuit breaker type UBIP 1-pole Twin, 15A/15A Clamshell packaged	4	0 94925 00403 8
VPKUBIP1520	Connecticut Electric circuit breaker type UBIP 1-pole Twin, 15A/20A Clamshell packaged	4	0 94925 00412 0
VPKUBIP2020	Connecticut Electric circuit breaker type UBIP 1-pole Twin, 20A/20A Clamshell packaged	4	0 94925 00404 5
Packaged UBIZ - Zinsco®			
VPKUBIZ0220	Zinsco® replacement circuit breaker type UBIZ (type RC3820) 2-pole 20A Clamshell packaged	5	0 94925 00310 9
VPKUBIZ0225	Zinsco® replacement circuit breaker type UBIZ (type RC3820) 2-pole 25A Clamshell packaged	5	0 94925 00340 6
VPKUBIZ0230	Zinsco® replacement circuit breaker type UBIZ (type RC3830) 2-pole 30A Clamshell packaged	5	0 94925 00311 6
VPKUBIZ0240	Zinsco® replacement circuit breaker type UBIZ (type RC3840) 2-pole 40A Clamshell packaged	5	0 94925 00312 3
VPKUBIZ0250	Zinsco® replacement circuit breaker type UBIZ (type RC3850) 2-pole 50A Clamshell packaged	5	0 94925 00313 0
VPKUBIZ0260	Zinsco® replacement circuit breaker type UBIZ (type RC3860) 2-pole 60A Clamshell packaged	5	0 94925 00314 7

UBIZ ZINSCO®



VIEW-PAK UBIZ BREAKERS

Catalog Number	Product Description	Breaker Page No.	UPC
Packaged UBIZ - Zinsco®			
VPKUBIZ1515	Zinsco® replacement circuit breaker type UBIZ (type R3815) Twin 1-pole 15A/15A Clamshell packaged	5	0 94925 00308 6
VPKUBIZ1520	Zinsco® replacement circuit breaker type UBIZ (type R381520) Twin 1-pole 15A/20A Clamshell packaged	5	0 94925 00333 8
VPKUBIZ2020	Zinsco® replacement circuit breaker type UBIZ (type R3820) Twin 1-pole 20A/20A Clamshell packaged	5	0 94925 00309 3
VPKUBIZ3030	Zinsco® replacement circuit breaker type UBIZ (type R3830) Twin 1-pole 30A/30A Clamshell packaged	5	0 94925 00315 4
Packaged UBIZ - Zinsco®			
VPKUBIZ15	Zinsco® replacement circuit breaker type UBIZ (type Q15) 1-pole 15A Clamshell packaged	6	0 94925 00300 0
VPKUBIZ20	Zinsco® replacement circuit breaker type UBIZ (type Q20) 1-pole 20A Clamshell packaged	6	0 94925 00301 7
VPKUBIZ30	Zinsco® replacement circuit breaker type UBIZ (type Q30) 1-pole 30A Clamshell packaged	6	0 94925 00302 4
VPKUBIZ220	Zinsco® replacement circuit breaker type UBIZ (type QC20) 2-pole 20A Clamshell packaged	6	0 94925 00303 1
VPKUBIZ230	Zinsco® replacement circuit breaker type UBIZ (type QC30) 2-pole 30A Clamshell packaged	6	0 94925 00304 8
VPKUBIZ240	Zinsco® replacement circuit breaker type UBIZ (type QC40) 2-pole 40A Clamshell packaged	6	0 94925 00305 5
VPKUBIZ250	Zinsco® replacement circuit breaker type UBIZ (type QC50) 2-pole 50A Clamshell packaged	6	0 94925 00306 2
VPKUBIZ260	Zinsco® replacement circuit breaker type UBIZ (type QC60) 2-pole 60A Clamshell packaged	6	0 94925 00307 9
VPKUBIZ270	Zinsco® replacement circuit breaker type UBIZ (type QCAL70) 2-pole 70A Clamshell packaged	6	0 94925 03152 2
VPKUBIZ280	Zinsco® replacement circuit breaker type UBIZ (type QCAL80) 2-pole 80A Clamshell packaged	6	0 94925 03153 9
VPKUBIZ290	Zinsco® replacement circuit breaker type UBIZ (type QCAL90) 2-pole 90A Clamshell packaged	6	0 94925 03154 6
VPKUBIZ2100	Zinsco® replacement circuit breaker type UBIZ (type QCAL100) 2-pole 100A Clamshell packaged	6	0 94925 00316 1

UBIA WADSWORTH™



Catalog Number	Product Description	Breaker Page No.	UPC
Packaged UBIA - Wadsworth™			
VPKWA15	Wadsworth™ circuit breaker Type A 1-pole 15A Clamshell packaged	7	0 94925 00800 5
VPKWA20	Wadsworth™ circuit breaker Type A 1-pole 20A Clamshell packaged	7	0 94925 00801 2
VPKWA30	Wadsworth™ circuit breaker Type A 1-pole 30A Clamshell packaged	7	0 94925 00802 9
VPKWA220	Wadsworth™ circuit breaker Type A 2-pole 20A Clamshell packaged	7	0 94925 00803 6
VPKWA230	Wadsworth™ circuit breaker Type A 2-pole 30A Clamshell packaged	7	0 94925 00804 3
VPKWA240	Wadsworth™ circuit breaker Type A 2-pole 40A Clamshell packaged	7	0 94925 00805 0
VPKWA250	Wadsworth™ circuit breaker Type A 2-pole 50A Clamshell packaged	7	0 94925 00806 7
VPKWA260	Wadsworth™ circuit breaker Type A 2-pole 60A Clamshell packaged	7	0 94925 00807 4
VPKWB1515	Wadsworth™ circuit breaker Type B Twin 1-pole 15A/15A Clamshell packaged		0 94925 00824 1
VPKWB1520	Wadsworth™ circuit breaker Type B Twin 1-pole 15A/20A Clamshell packaged		0 94925 00832 6
VPKWB2020	Wadsworth™ circuit breaker Type B Twin 1-pole 20A/20A Clamshell packaged		0 94925 00825 8
VPKWB3030	Wadsworth™ circuit breaker Type B Twin 1-pole 30A/30A Clamshell packaged		0 94925 00826 5

Quick, Accurate, and Reliable...
**Connecticut Electric consistently ships correct,
 complete, and on time!**

INTERCHANGEABLE



VIEW-PAK INTERCHANGEABLE BREAKERS

Catalog Number	Product Description	Breaker Page No.	UPC
Packaged Interchangeable			
VPKICBQ115	Interchangeable 1" circuit breaker 1-pole 15A Clamshell packaged	9	0 94925 00700 8
VPKICBQ120	Interchangeable 1" circuit breaker 1-pole 20A Clamshell packaged	9	0 94925 00701 5
VPKICBQ130	Interchangeable 1" circuit breaker 1-pole 30A Clamshell packaged	9	0 94925 00702 2
VPKICBQ215	Interchangeable 2" circuit breaker 2-pole 15A Clamshell packaged	10	0 94925 00710 7
VPKICBQ220	Interchangeable 2" circuit breaker 2-pole 20A Clamshell packaged	10	0 94925 00703 9
VPKICBQ230	Interchangeable 2" circuit breaker 2-pole 30A Clamshell packaged	10	0 94925 00704 6
VPKICBQ235	Interchangeable 2" circuit breaker 2-pole 35A Clamshell packaged	10	0 94925 00709 1
VPKICBQ240	Interchangeable 2" circuit breaker 2-pole 40A Clamshell packaged	10	0 94925 00705 3
VPKICBQ245	Interchangeable 2" circuit breaker 2-pole 45A Clamshell packaged	10	0 94925 00711 4
VPKICBQ250	Interchangeable 2" circuit breaker 2-pole 50A Clamshell packaged	10	0 94925 00706 0
VPKICBQ260	Interchangeable 2" circuit breaker 2-pole 60A Clamshell packaged	10	0 94925 00708 4
VPKICBQ2100	Interchangeable 2" circuit breaker 2-pole 100A Clamshell packaged	11	0 94925 00712 1
VPKICBQ1515	Interchangeable Twin 1" circuit breaker Twin 1-pole 15A/15A Clamshell packaged	10	0 94925 00714 5
VPKICBQ1520	Interchangeable Twin 1" circuit breaker Twin 1-pole 15A/20A Clamshell packaged	10	0 94925 01720 5
VPKICBQ2020	Interchangeable Twin 1" circuit breaker Twin 1-pole 20A/20A Clamshell packaged	10	0 94925 00715 2

SIEMENS®



Catalog Number	Product Description	Breaker Page No.	UPC
Packaged Siemens - Type QP			
VPKQ115	Siemens® circuit breaker type QP 1-pole 15A Clamshell packaged	9	0 94925 01400 6
VPKQ120	Siemens® circuit breaker type QP 1-pole 20A Clamshell packaged	9	0 94925 01401 3
VPKQ130	Siemens® circuit breaker type QP 1-pole 30A Clamshell packaged	9	0 94925 01402 0
VPKQ215	Siemens® circuit breaker type QP 2-pole 15A Clamshell packaged	10	0 94925 01403 7
VPKQ220	Siemens® circuit breaker type QP 2-pole 20A Clamshell packaged	10	0 94925 01404 4
VPKQ230	Siemens® circuit breaker type QP 2-pole 30A Clamshell packaged	10	0 94925 01405 1
VPKQ240	Siemens® circuit breaker type QP 2-pole 40A Clamshell packaged	10	0 94925 01406 8
VPKQ250	Siemens® circuit breaker type QP 2-pole 50A Clamshell packaged	10	0 94925 01407 5
VPKQ260	Siemens® circuit breaker type QP 2-pole 60A Clamshell packaged	10	0 94925 01408 2
VPKQ2100	Siemens® circuit breaker type QP 2-pole 100A Clamshell packaged	11	0 94925 01413 6

View-Pak circuit breakers from Connecticut Electric, Inc. come in versatile packaging.

The box can be configured for an on-the-shelf dispenser or the convenient clamshell packaging can be displayed on pegs. View-Pak breakers are ideal for any retail situation!





Catalog Number	Product Description	Breaker Page No.	UPC
Packaged Siemens - Type QT			
VPKQ1515	Siemens® duplex circuit breaker type QT Class CTL Twin 15A/15A Clamshell packaged	10	0 94925 01409 9
VPKQ2020	Siemens® duplex circuit breaker type QT Class CTL Twin 20A/20A Clamshell packaged	10	0 94925 01411 2
Packaged Siemens - Type QPF			
VPKQF115	Siemens® GFCI circuit breaker type QF 1-pole, 15A Clamshell packaged		0 94925 01415 0
VPKQF120	Siemens® GFCI circuit breaker type QF 1-pole, 20A Clamshell packaged		0 94925 01416 7
Packaged Interchangeable - Type QD			
VPKD115	Siemens circuit breaker type QD Replacement for Square D® QO 1-pole 15A Clamshell packaged	12	0 94925 01920 9
VPKD120	Siemens circuit breaker type QD Replacement for Square D® QO 1-pole 20A Clamshell packaged	12	0 94925 01921 6
VPKD130	Siemens circuit breaker type QD Replacement for Square D® QO 1-pole 30A Clamshell packaged	12	0 94925 01922 3
VPKD220	Siemens circuit breaker type QD Replacement for Square D® QO 2-pole 20A Clamshell packaged	13	0 94925 01924 7
VPKD230	Siemens circuit breaker type QD Replacement for Square D® QO 2-pole 30A Clamshell packaged	13	0 94925 01925 4
VPKD240	Siemens circuit breaker type QD Replacement for Square D® QO 2-pole 40A Clamshell packaged	13	0 94925 01926 1
VPKD250	Siemens circuit breaker type QD Replacement for Square D® QO 2-pole 50A Clamshell packaged	13	0 94925 01927 8
VPKD260	Siemens circuit breaker type QD Replacement for Square D® QO 2-pole 60A Clamshell packaged	13	0 94925 01928 5

Quick, Accurate, and Reliable...
Connecticut Electric consistently ships correct, complete, and on time!

Square-D® QO® & QD® are registered trademarks of Schneider Electric, Inc.

LOAD CENTER ACCESSORIES

REPLACEMENT PARTS FOR POPULAR BREAKER PANELS



Catalog Number	UPC
VPKGBK5	
VPKNCFS	
VPKQF3	

All load panel accessories come in View-Pak clamshell packaging.

VPKNCFS

Federal Pacific Electric® 1/2" NC Filler Plate



VPKGBK5

Universal Replacement 5 Position Ground Bar Kit



VPKQF3

Siemens® 1" Filler Plate



CEI POWER ADAPTERS

EASILY ADAPTS CORD ENDS TO AVAILABLE RECEPTACLE



AMP Rating	Catalog Number	UPC
20	CESMAD2030	
20	CESMAD3020	
20	CESMAD5020	
20	CESMAD5030	



CESMAD2030

RV plug adaptor TT-30R receptacle to 5-15 plug. Rated 20A



CESMAD3020

RV plug adaptor 5-15R receptacle to TT-30 plug. Rated 20A



CESMAD5020

RV plug adaptor 14-50R receptacle to 5-15 plug. Rated 20A



CESMAD5030

RV plug adaptor 14-50R receptacle to TT-30 plug. Rated 30A

MINI BREAKERS

REPLACEMENT BREAKERS FOR EDISON BASE SCREW IN FUSES



AMP Rating	Catalog Number	UPC
15	VPKMB15	
20	VPKMB20	



VPKMB15

Mini-Breaker Edison base resettable circuit protector 125V, 15A Clamshell packaged



VPKMB20

Mini-Breaker Edison base resettable circuit protector 125V, 20A Clamshell packaged

Great Value! Never buy fuses again!

RV POWER OUTLETS

NEMA 3R RECREATIONAL VEHICLE OUTLETS IDEAL FOR HOME, STORAGE, OR PARK USE



CESMPS13HR
TT-30 travel trailer receptacle



CESMPS54HR
NEMA 14-50 receptacle

Output Rating	Catalog Number	UPC
120V 30A	CESMPS13HR	0 94925 03213 0
120/240V 50A	CESMPS54HR	0 94925 03239 0
120V 30A	CESMPSC13HR	0 94925 03211 6
120/240V 30A	CESMPSC41GRHR	0 94925 03212 3
120/240V 50A	CESMPSC55GRHR	0 94925 03216 1
120/240V 30/50A	CESMPSC75GRHR	0 94925 03225 3



CESMPSC75GRHR
NEMA 5-20R2 GFCI, TT-30 travel trailer receptacle NEMA 14-50 Breakers: 1P 20A, 1P 30A 2P 50A



CESMPSC55GRHR
NEMA 5-20R2 GFC NEMA 14-50 Breakers: 1P 20A 2P 50A



CESMPSC41GRHR
NEMA 5-20R2 GFCI TT-30 travel trailer receptacle Breakers: 1P 20A, 1P 30A



CESMPSC13HR
TT-30 travel trailer receptacle Breaker: 1P 30A

NEWLY DESIGNED RV POWER PANEL

30 & 50 AMP DUAL SERVICE SHORE POWER RECEPTICLES

FEATURES/BENEFITS

- › Surface mount
- › Hub provision provided
- › Drop away NEMA 3R rain-tight door
- › Provides easy access to power cord handles
- › Allows cord to be used when door is closed



We Power Homes





We Power Homes