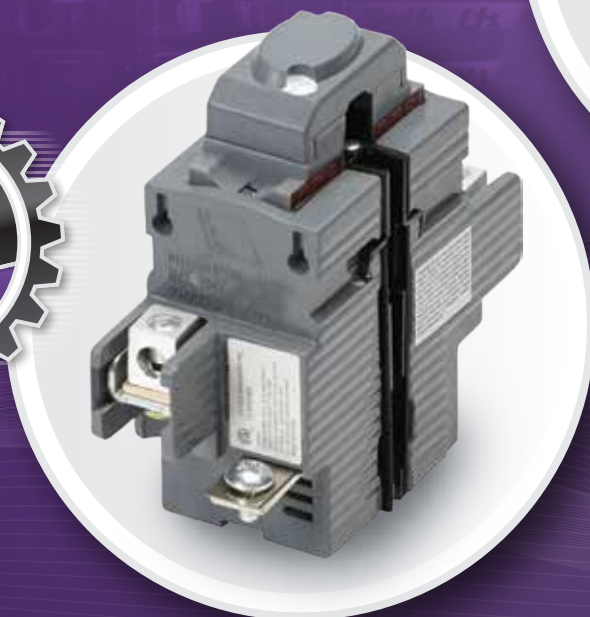
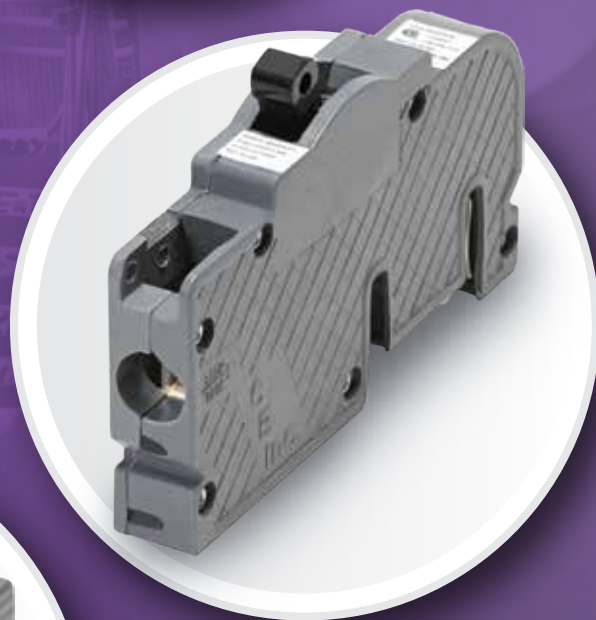


SUPPORTING
YESTERDAY'S
LOAD CENTERS

BREAKERS
MADE TODAY...

PROVIDING POWER
FOR TOMORROW!

- › Replacement Circuit Breakers
- › Manual Transfer Switch Kit for Generators
- › Mini-Breaker and Load Center Accessories
- › RV Power Outlets



EmerGen Switch®

Manual Transfer Switch Products

DON'T LET POWER INTERRUPTIONS CONTROL YOU

▶ INDOOR OR OUTDOOR USE

In the event of a power outage, EmerGen Switch® transfer switches safely transfer from utility power to portable generator power using your existing electrical wiring. Rated for 30 amps @ 250VAC, the EmerGen Switch transfer switch is capable of switching (6) 15 amp and (4) 20 amp circuits. The Power inlet provides a 30 amp generator receptacle.

▶ *Convenient Emergen Switch Transfer Switch Kit provides many of the components needed for an easy installation.*

KIT INCLUDES:

- Manual Transfer Switch
- PI30 Power Outlet Box
- 10' Power Cord Set
- PVC Conduit and Fitting
- Owner's Manual



Weight: 16.5 lbs
Dimensions: 13.5"Hx4.75"Dx8.25"W

Model # EGS107501G2KIT

Built-in wattage meters permit load balancing to avoid impeding your generators output.

Liquid-tight between fittings and rainproof door allow these EmerGen Switch transfer switches to be used outdoors with no modification.

Connecticut Electric
Quality Electrical Products • Since 1906

Conforms to UL Std. 1008
CAN/CSA C22.2 No. 1782



DON'T COMPROMISE ON SAFETY

Installing used, reconditioned, or counterfeit circuit breakers in your panel can be unsafe and extremely risky! Trust only quality replacement circuit breakers manufactured by Connecticut Electric, Inc.

UBI is the most recognized brand of replacement circuit breakers in the USA.



Pushmatic®
UBIP

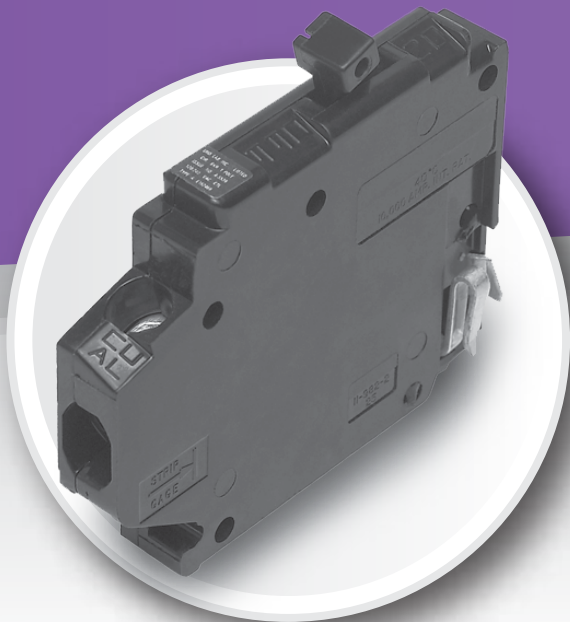
SAFE REPLACEMENT
BREAKERS



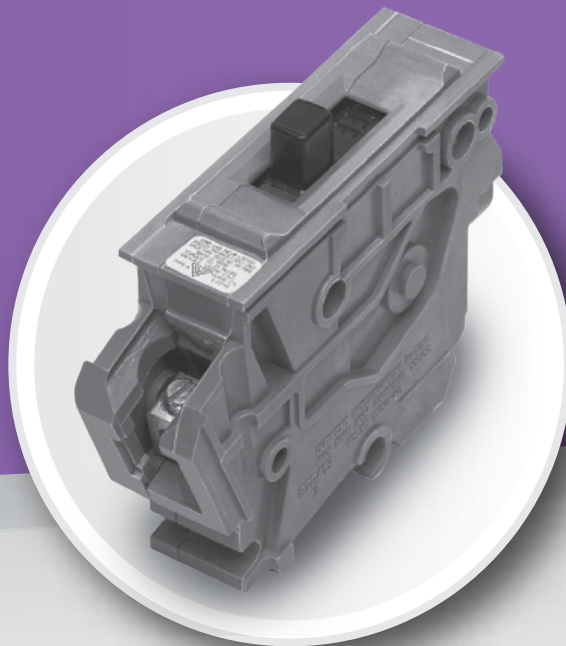
Only Connecticut Electric manufactures **NEW** replacement circuit breakers that are Safety Agency Certified to UL 489. Choose only Connecticut Electric's line of UBI replacement breakers for continued protection!

Connecticut  **Electric**
Quality Electrical Products • Since 1906

OMISE



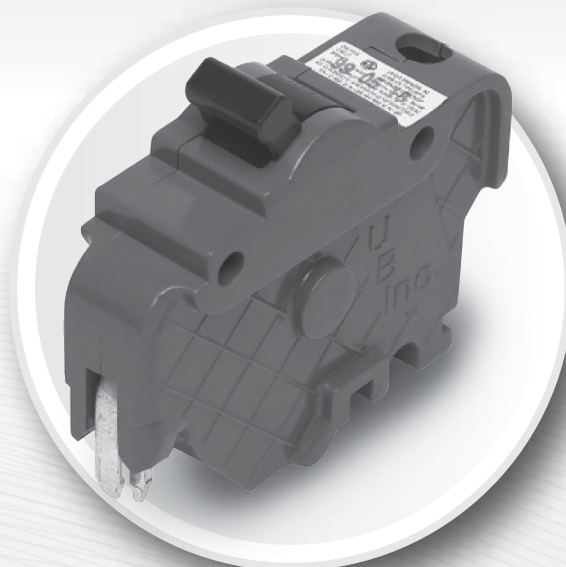
Challenger™
UBITBA



WADSWORTH™
UBIA



Linsco
UBIZ



Federal Pacific®
UBIF



CONNECTICUT ELECTRIC'S ONLINE ORDERING IS QUICK AND EASY!



Current customers can register for online access at www.connecticut-electric.com. It is quick and easy!

Your online access provides you with:

- Convenient 24/7 Ordering
- Current Pricing
- Up-To-Date Inventory
- Instant Order Status and Tracking

TABLE OF CONTENTS



UBI BULK BREAKERS

UBITB TYPE A	1
UBIF TYPE NA	2
UBIF TYPE NC	3
UBIP TYPE P	4
UBIZ ZINSCO®	5-6
UBIA WADSWORTH™	7

MURRAY BREAKERS

MURRAY®	9-10
---------------	------

SIEMENS BREAKERS

SIEMENS®	10-15
----------------	-------

REFERENCE

COVERAGE MAP/CROSS REFERENCE	16
------------------------------------	----

VIEW-PAK BREAKERS

 PACKAGED	17-25
--	-------

ACCESSORIES AND POWER OUTLETS

PANEL ACCESSORIES	26
RV POWER OUTLETS	27

UBITB TYPE A

SUITABLE REPLACEMENT FOR
CHALLENGER® A SERIES

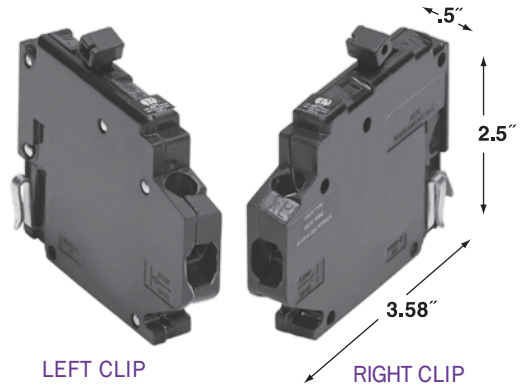
# of Poles	AMP Rating	Catalog Number	UPC
1	15	UBITBA115L	0 94925 02100 4
1	15	UBITBA115R	0 94925 02107 3
1	20	UBITBA120L	0 94925 02101 1
1	20	UBITBA120R	0 94925 02108 0
1	30	UBITBA130L	0 94925 02102 8
1	30	UBITBA130R	0 94925 02109 7
Sleeve Count: 10 Case Count: 120			
2	15	UBITBA215	0 94925 02119 6
2	20	UBITBA220	0 94925 02103 5
2	30	UBITBA230	0 94925 02104 2
2	40	UBITBA240	0 94925 02105 9
2	50	UBITBA250	0 94925 02106 6
Sleeve Count: 10 Case Count: 60			

Type A

One Pole-Plug In

Requires 1/2 of One 1" Space

HACR
120VAC
10,000 AIC

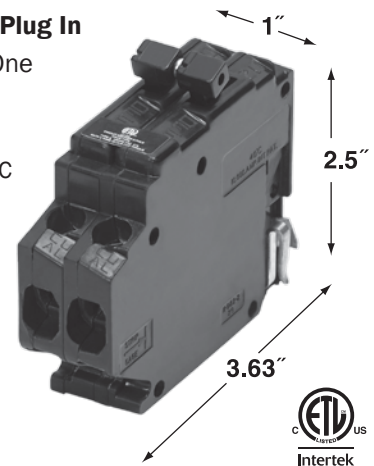


Type A

Two Pole-Plug In

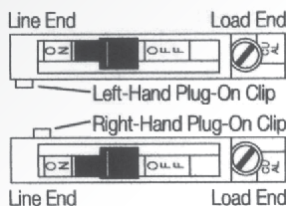
Requires One 1" Space

HACR
120/240VAC
10,000 AIC



1. One Pole Breakers Supplied

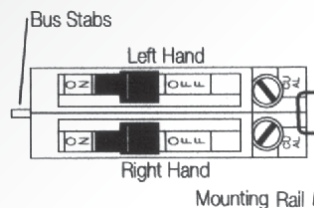
Two one-pole breakers are packed in pairs for convenience. These breakers are alike except for the position of the plug-on clip which connects the breaker to the bus stab in the panel.



Left-Hand and Right-Hand Plug-On Clips

2. To Install:

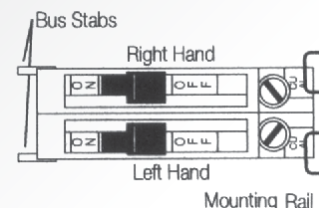
Hook load end of the breaker under the hold-down tab in the panel. Press line end of breaker down so that the plug-in clip slips over the bus stab. Insert breakers by pairs for easier installation.



Bus Stabs and Hold Down Tabs

3. Between Bus Stabs:

When required, breakers may be installed between bus stabs as shown in the drawing below.



Installation Between Bus Stabs

SUITABLE REPLACEMENT FOR
FEDERAL PACIFIC ELECTRIC®

UBIF TYPE NA

UBIF TYPE NA BREAKERS

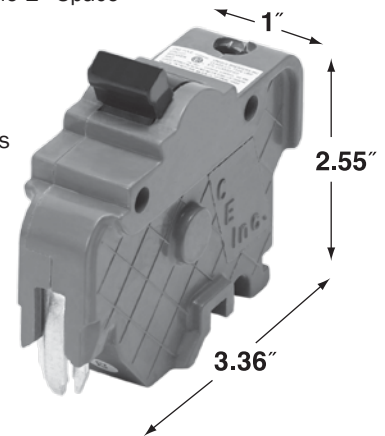
# of Poles	AMP Rating	Catalog Number	UPC
1	15	UBIF15N	0 94925 01937 7
1	20	UBIF20N	0 94925 01938 4
1	30	UBIF30N	0 94925 01939 1
1	40	UBIF40N	0 94925 41816 3
1	50	UBIF50N	0 94925 41817 0
Sleeve Count: 10 Case Count: 60			
2	15	UBIF215N	0 94925 41811 8
2	20	UBIF220N	0 94925 01940 7
2	30	UBIF230N	0 94925 01941 4
2	40	UBIF240N	0 94925 01942 1
2	50	UBIF250N	0 94925 01943 8
2	60	UBIF260N	0 94925 01944 5
2	70	UBIF270N	0 94925 41809 5
Sleeve Count: 5 Case Count: 30			
2	100	UBIF2100N	0 94925 00118 1
Sleeve Count: 5 Case Count: 30			

**Thick Series
One Pole-Plug In**

Requires One 1" Space

HACR
120VAC
10,000 AIC

Corresponds to Federal Pacific® Electric Stab-Lok® NA Pole Series

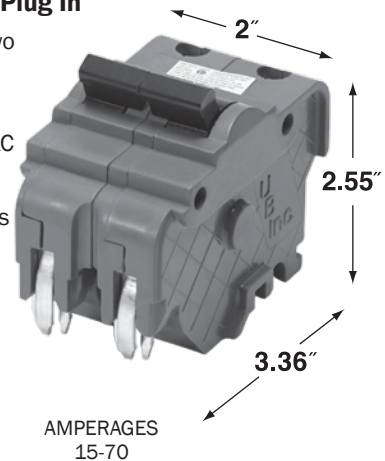


**Thick Series
Two Pole-Plug In**

Requires Two 1" Spaces

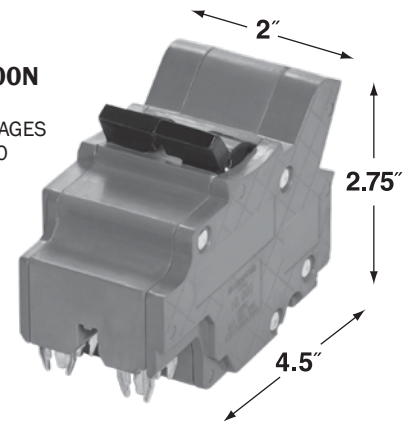
HACR
120/240VAC
10,000 AIC

Corresponds to Federal Pacific Electric® Stab-Lok® NA Two Pole Series



UBIF2100N

AMPERAGES
100



**Call us or login to your web account
for current price and availability!**

No web account?

Go to: www.connecticut-electric.com



UBIF TYPE NC

SUITABLE REPLACEMENT FOR
FEDERAL PACIFIC ELECTRIC®

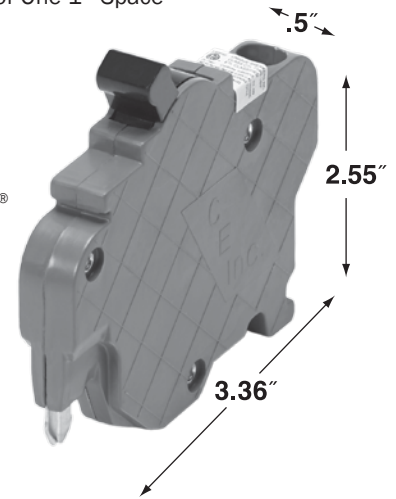
# of Poles	AMP Rating	Catalog Number	UPC
1	15	UBIF015N	0 94925 01930 8
1	20	UBIF020N	0 94925 01931 5
1	30	UBIF030N	0 94925 01932 2
1	40	UBIF040N	0 94925 41818 7
1	50	UBIF050N	0 94925 41819 4
Sleeve Count: 20 Case Count: 60			
‡SWD Rating applies to the switching of 15 & 20 amp fluorescent lighting circuits only!			
2	15	UBIF0215N	0 94925 41810 1
2	20	UBIF0220N	0 94925 01933 9
2	25	UBIF0225N	0 94925 00120 4
2	30	UBIF0230N	0 94925 01934 6
2	35	UBIF0235N	0 94925 00335 2
2	40	UBIF0240N	0 94925 01935 3
2	45	UBIF0245N	0 94925 00337 6
2	50	UBIF0250N	0 94925 01936 0
Sleeve Count: 10 Case Count: 30			

**Thin Series
One Pole-Plug In**

Requires 1/2 of One 1" Space

SWD Rated†
120VAC
10,000 AIC

Corresponds to Federal Pacific Electric® Stab-Lok® NC One Pole Series

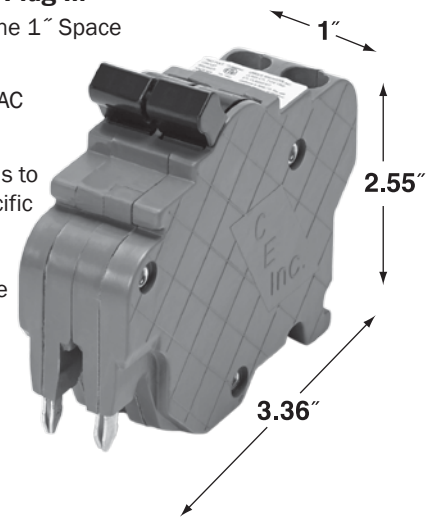


**Thin Series
Two Pole-Plug In**

Requires One 1" Space

HACR
120/240 VAC
10,000 AIC

Corresponds to Federal Pacific Electric® Stab-Lok® NC Two Pole Series



**Call us or login to your web account
for current price and availability!**

No web account?

Go to: www.connecticut-electric.com



SUITABLE REPLACEMENT FOR
PUSHMATIC®

UBIP TYPE P

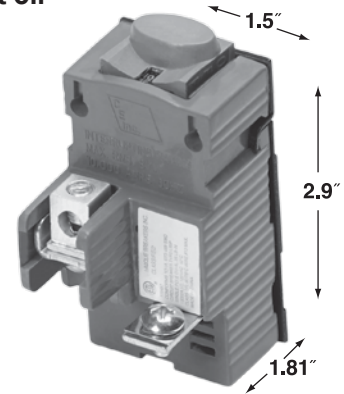
UBIP TYPE P BREAKERS

# of Poles	AMP Rating	Catalog Number	UPC
1	15	UBIP115	0 94925 03100 3
1	20	UBIP120	0 94925 03101 0
1	30	UBIP130	0 94925 03102 7
Sleeve Count: 10 Case Count: 150			
‡SWD Rating applies to the switching of 15 & 20 amp fluorescent lighting circuits only!			
2 Singles	15/15	UBIP1515	0 94925 03110 2
2 Singles	15/20	UBIP1520	0 94925 03112 6
2 Singles	20/20	UBIP2020	0 94925 03111 9
Sleeve Count: 10 Case Count: 150			
2	15	UBIP215	0 94925 03103 4
2	20	UBIP220	0 94925 03104 1
2	30	UBIP230	0 94925 03105 8
2	40	UBIP240	0 94925 03106 5
2	50	UBIP250	0 94925 03107 2
2	60	UBIP260	0 94925 03108 9
2	70	UBIP270	0 94925 03109 6
2	100	UBIP2100	0 94925 03113 3
Sleeve Count: 5 Case Count: 60			

One Pole-Bolt On

SWD Rated‡
120VAC
10,000 AIC

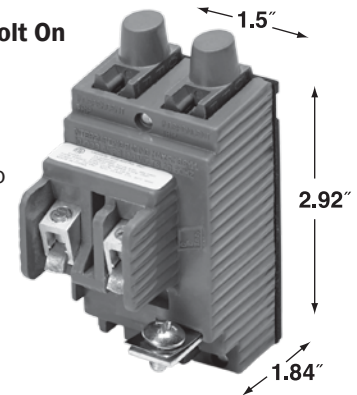
Corresponds to
Pushmatic®
One Pole Series



Twin Pole-Bolt On

SWD Rated‡
120VAC
10,000 AIC

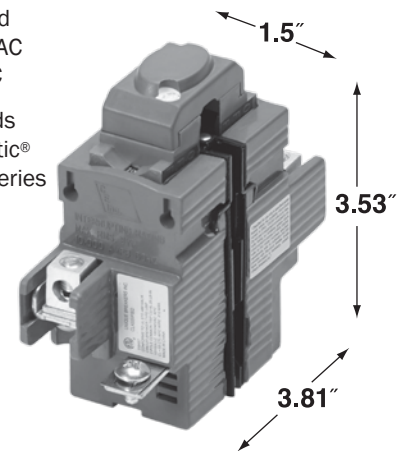
Corresponds to
Pushmatic®
Twin Pole
Series





















Two Pole-Bolt On

HACR Rated
120/240VAC
10,000 AIC

Corresponds
to Pushmatic®
Two Pole Series

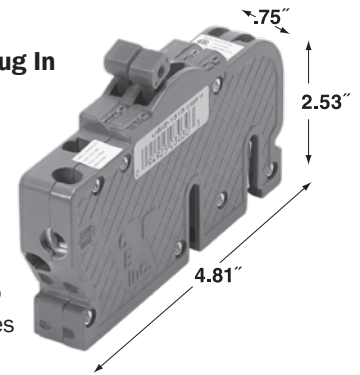


UBIZ ZINSCO® 

# of Poles	AMP Rating	Catalog Number	UPC
2 Singles	15/15	UBIZ1515 (R3815)	
2 Singles	15/20	UBIZ1520 (R381520)	
2 Singles	20/20	UBIZ2020 (R3820)	
2 Singles	30/30	UBIZ3030 (R3830)	
2	15	UBIZ0215 (R3815)	
2	20	UBIZ0220 (R3820)	
2	25	UBIZ0225 (R3825)	
2	30	UBIZ0230 (R3830)	
2	35	UBIZ0235 (R3835)	
2	40	UBIZ0240 (R3840)	
2	45	UBIZ0245 (R3845)	
2	50	UBIZ0250 (R3850)	
2	60	UBIZ0260 (R3860)	
Sleeve Count: 6 Case Count: 24			
	125	UBIZRBK12	
2	125	UBITBFP1252	
2	150	UBITBFP1502	
2	175	UBITBFP1752	
2	200	UBITBFP2002	

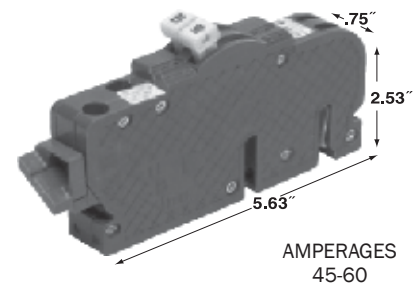
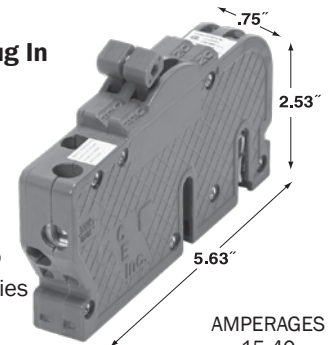
**Thin Series
Twin Pole-Plug In**

Requires One 3/4" Space
SWD Rated†
120VAC
10,000 AIC
Corresponds to Zinsco® R Series



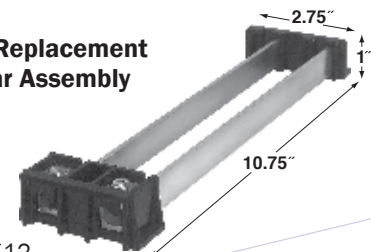
**Thin Series
Two Pole-Plug In**

Requires One 3/4" Space
HACR
120/240VAC
10,000 AIC
Corresponds to Zinsco® RC Series



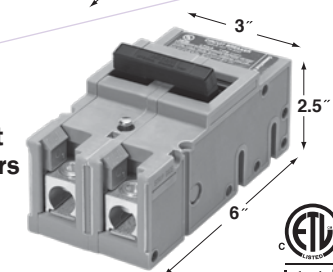
**Zinsco Replacement
Buss Bar Assembly**

UBIZRBK12



**Zinsco
Replacement
Main Breakers
Type QFP**

UBITBFP's





UBIZ ZINSCO®

UBIZ ZINSCO BREAKERS

# of Poles	AMP Rating	Catalog Number	UPC
1	15	UBIZ15 (Q15)	0 94925 03038 9
1	20	UBIZ20 (Q20)	0 94925 03039 6
1	30	UBIZ30 (Q30)	0 94925 03040 2
1	40	UBIZ40 (Q40)	0 94925 00344 4
1	50	UBIZ50 (Q50)	0 94925 00345 1
Sleeve Count: 6 Case Count: 24		Catalog numbers in parentheses denote former Zinsco® part numbers.	‡SWD Rating applies to the switching of 15 & 20 amp fluorescent lighting circuits only!
2	15		
2	20	UBIZ220 (QC20)	0 94925 03041 9
2	30	UBIZ230 (QC30)	0 94925 03042 6
2	40	UBIZ240 (QC40)	0 94925 03043 3
2	50	UBIZ250 (QC50)	0 94925 03044 0
2	60	UBIZ260 (QCAL60)	0 94925 03045 7
2	70	UBIZ270 (QCAL70)	0 94925 41812 5
2	80	UBIZ280 (QCAL80)	0 94925 41813 2
2	90	UBIZ290 (QCAL90)	0 94925 41814 9
2	100	UBIZ2100 (QCAL100)	0 94925 03046 4
2	125	UBIZ2125 (QCAL125)	0 94925 41815 6

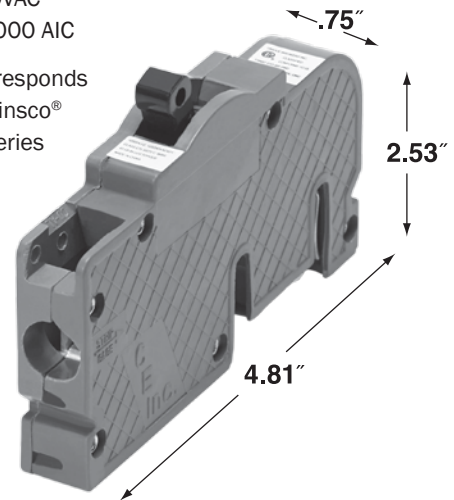
Sleeve Count: 3
Case Count: 72

**Thick Series
One Pole-Plug In**

Requires One 3/4" Space

SWD Rated†
120VAC
10,000 AIC

Corresponds to Zinsco® Q Series

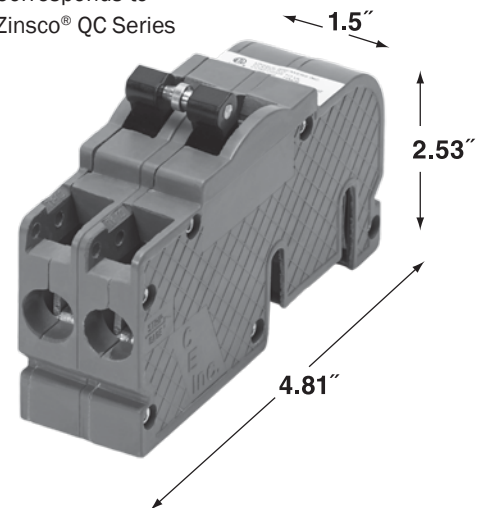


**Thick Series
Two Pole-Plug In**

Requires Two 3/4" Spaces

HACR
120/240VAC
10,000 AIC

Corresponds to Zinsco® QC Series



UBIA WADSWORTH™
FOR USE IN WADSWORTH LOAD CENTERS

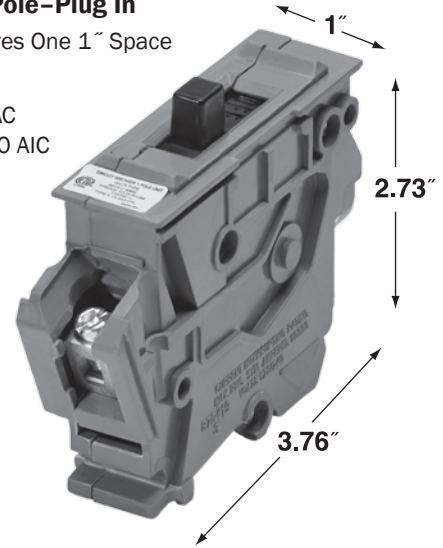


UBIA WADSWORTH BREAKERS

# of Poles	AMP Rating	Catalog Number	UPC
1	15	UBIA15NI	94925 00810 4
1	20	UBIA20NI	94925 00811 1
1	30	UBIA30NI	94925 00812 8
1	40	UBIA40NI	94925 00813 5
1	50	UBIA50NI	94925 00814 2
Case Count: 24			
*Twin sizes available. See VIEWPAK section page 21			
2	15	UBIA215NI	94925 00815 9
2	20	UBIA220NI	94925 00816 6
2	30	UBIA230NI	94925 00817 3
2	40	UBIA240NI	94925 00818 0
2	50	UBIA250NI	94925 00819 7
2	60	UBIA260NI	94925 00820 3
2	70	UBIA270NI	94925 00821 0
2	80	UBIA280NI	94925 00830 2
2	90	UBIA290NI	94925 00822 7
2	100	UBIA2100NI	94925 00823 4
Case Count: 12			

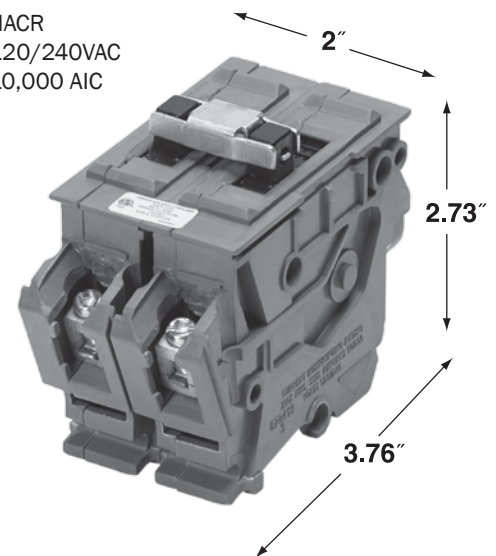
**Type A
One Pole-Plug In**
Requires One 1" Space

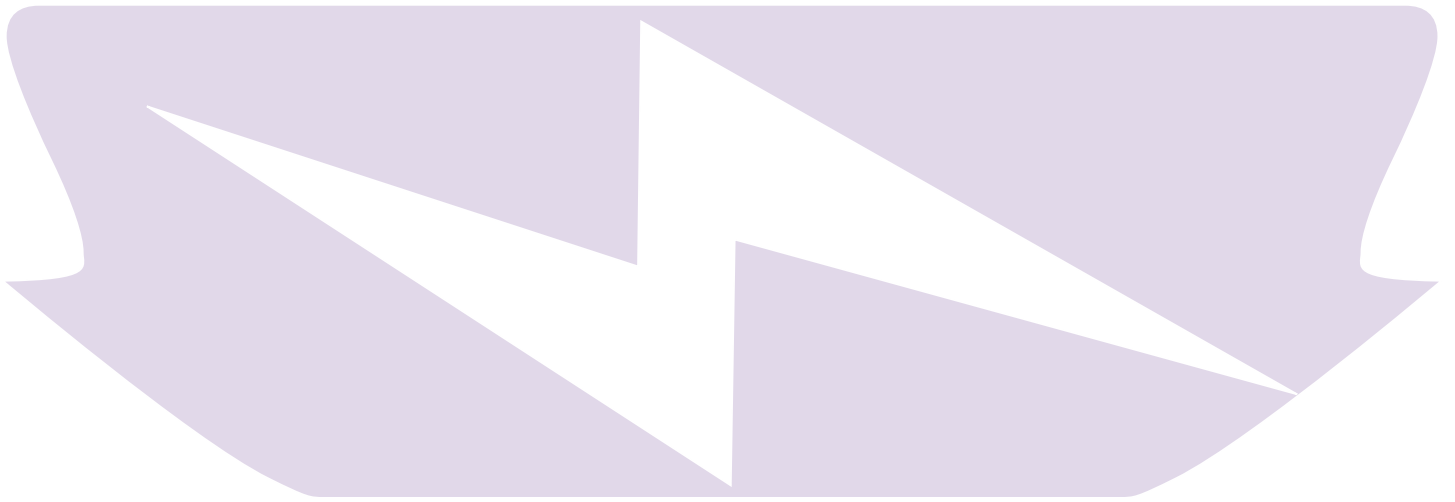
HACR
120VAC
10,000 AIC



**Type A
Two Pole-Plug In**
Requires Two 1" Spaces

HACR
120/240VAC
10,000 AIC





Connecticut Electric, Inc.
is proud to be an
Authorized Distributor
of

Siemens Circuit Breakers

SIEMENS

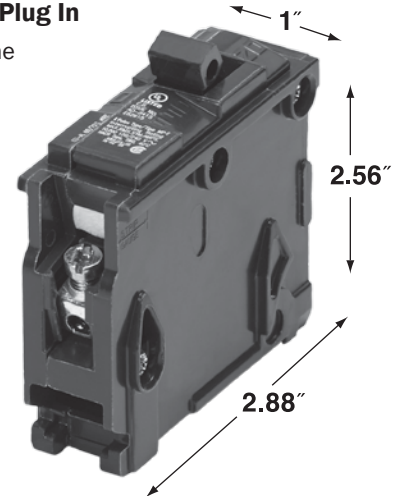
MURRAY®

# of Poles	AMP Rating	Catalog Number	UPC
1	15	MURMP115	4 0892 5 1888 7
1	20	MURMP120	4 0892 5 1889 4
1	30	MURMP130	4 0892 5 1891 7
1	40	MURMP140	4 0892 5 1892 4
1	50	MURMP150	4 0892 5 1900 6
Sleeve Count: 12 Case Count: 48			
2	15	MURMP215	4 0892 5 1893 1
2	20	MURMP220	4 0892 5 1894 8
2	30	MURMP230	4 0892 5 1896 2
2	40	MURMP240	4 0892 5 1897 9
2	50	MURMP250	4 0892 5 1898 6
2	60	MURMP260	4 0892 5 1899 3
2	70	MURMP270	4 0892 2 7980 1
2	80	MURMP280	4 0892 2 7990 0
2	90	MURMP290	4 0892 2 8000 5
2	100	MURMP2100	4 0892 5 0755 3
2	125	MURMP2125	4 0892 2 8119 4
Sleeve Count: 6 Case Count: 24			

**Type MP-T
One Pole-Plug In**

Requires One
1" Space

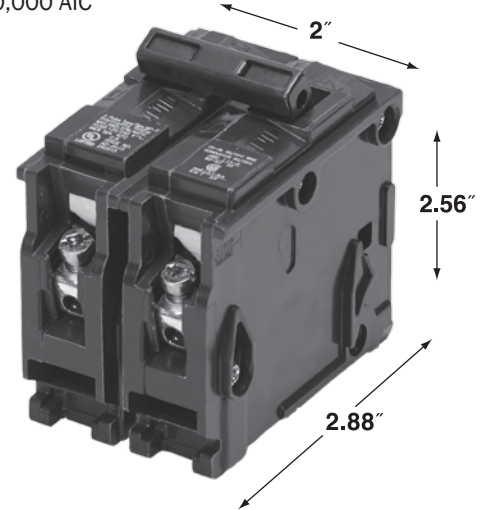
HACR
SWD Rated
120VAC
10,000 AIC



**Type MP-T
Two Pole-Plug In**

Requires Two 1" Spaces

HACR
120/240VAC
10,000 AIC



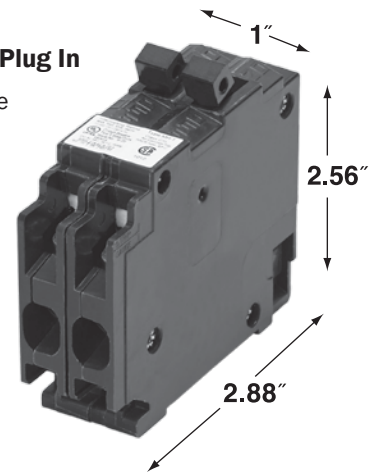
MURRAY®

# of Poles	AMP Rating	Catalog Number	UPC
2 Singles	15/15	MURMP1515	0 40892 28060 9
2 Singles	15/20	MURMP1520	0 40892 52199 3
2 Singles	20/20	MURMP2020	0 40892 28110 1
2 Singles	30/30	MURMP3030	0 40892 50776 8
Sleeve Count: 12 Case Count: 48			

**Type MH-T
Twin Pole-Plug In**

Requires One
1" Space

HACR
120VAC
10,000 AIC



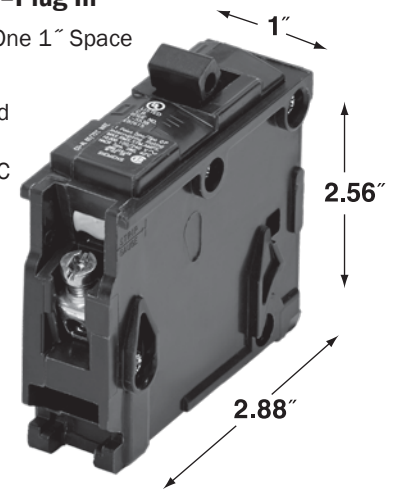
SIEMENS®

# of Poles	AMP Rating	Catalog Number	UPC
1	15	ITEQ115	7 83643 14818 5
1	20	ITEQ120	7 83643 14819 2
1	30	ITEQ130	7 83643 14821 5
1	40	ITEQ140	7 83643 14822 2
1	50	ITEQ150	7 83643 14823 9
Sleeve Count: 12 Case Count: 48			

**Type QP
One Pole-Plug In**

Requires One 1" Space

HACR
SWD Rated
120VAC
10,000 AIC



MURRAY AND SIEMENS BREAKERS

**Call us or login to your web account
for current price and availability!**

No web account?

Go to: www.connecticut-electric.com



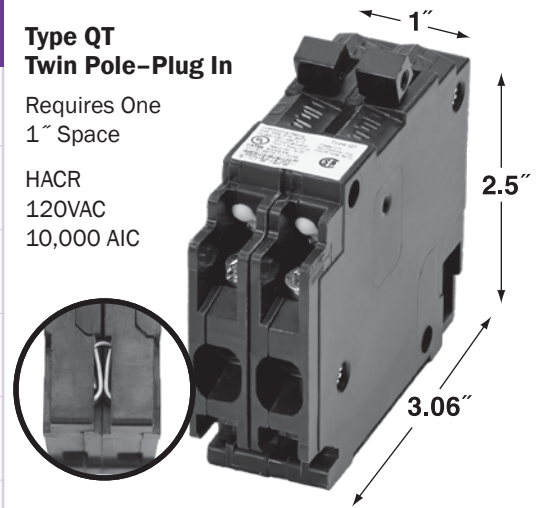
SIEMENS®

# of Poles	AMP Rating	Catalog Number	UPC
2 Singles	15/15	ITEQ1515	7 83643 14824 6
2 Singles	15/20	ITEQ1520	7 83643 14825 3
2 Singles	20/20	ITEQ2020	7 83643 14826 0
2 Singles	30/15	ITEQ3015	7 83643 15658 6
2 Singles	30/30	ITEQ3030	7 83643 15653 1
Sleeve Count: 12 Case Count: 48			
2 Singles	15/15	ITEQ1515NC	7 83643 15660 9
2 Singles	15/20	ITEQ1520NC	7 83643 15661 6
2 Singles	20/20	ITEQ2020NC	7 83643 15662 3
Sleeve Count: 12 Case Count: 48			
2	15	ITEQ215	7 83643 14835 2
2	20	ITEQ220	7 83643 14836 9
2	25	ITEQ225	7 83643 14837 6
2	30	ITEQ230	7 83643 14838 3
2	35	ITEQ235	7 83643 16765 0
2	40	ITEQ240	7 83643 14863 5
2	45	ITEQ245	7 83643 16778 0
2	50	ITEQ250	7 83643 14864 2
2	60	ITEQ260	7 83643 14865 9

**Type QT
Twin Pole-Plug In**

Requires One
1" Space

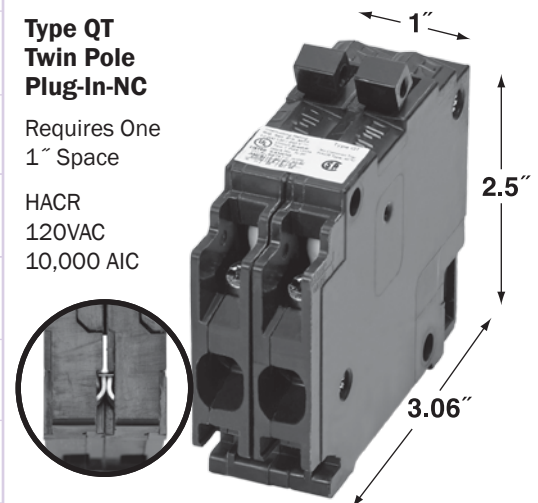
HACR
120VAC
10,000 AIC



**Type QT
Twin Pole
Plug-In-NC**

Requires One
1" Space

HACR
120VAC
10,000 AIC



Siemens twin breakers have two different styles. The "NC" style has no rejection clip and is suitable for use in load centers made before 1969.

ITEQ Type QP Two Pole-Plug In parts shown on next page.



SIEMENS®

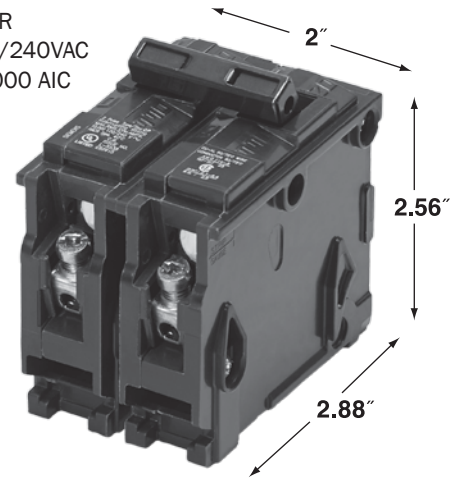
SIEMENS BREAKERS

# of Poles	AMP Rating	Catalog Number	UPC
2	70	ITEQ270	7 83643 14866 6
2	80	ITEQ280	7 83643 15674 6
2	90	ITEQ290	7 83643 14867 3
2	100	ITEQ2100	7 83643 14868 0
2	125	ITEQ2125	7 83643 14869 7
Sleeve Count: 6 Case Count: 24			
2	150	ITEMBK150	7 83643 15897 9
2	200	ITEMBK200	7 83643 15898 6
3	20	ITEQ320	7 83643 14840 6
3	30	ITEQ330	7 83643 14841 3
3	60	ITEQ360	7 83643 14844 4
3	100	ITEQ3100	7 83643 14847 5
Sleeve Count: 4 Case Count: 16			

**Type QP
Two Pole-Plug In**

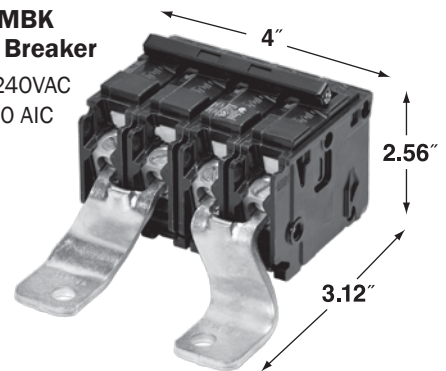
Requires Two 1" Spaces

HACR
120/240VAC
10,000 AIC



**Type MBK
Main Breaker**

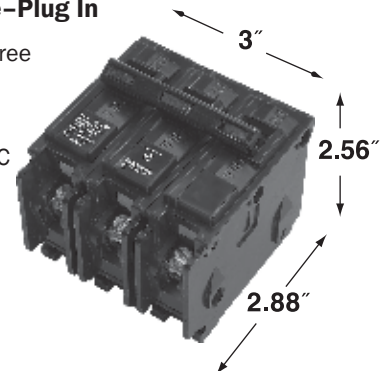
120/240VAC
22,000 AIC



**Type QP
Three Pole-Plug In**

Requires Three
1" Spaces

HACR
277/480VAC
10,000 AIC



**Call us or login to your web account
for current price and availability!**

No web account?

Go to: www.connecticut-electric.com



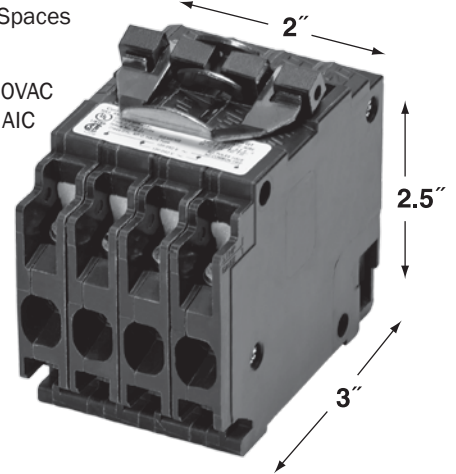
SIEMENS®

# of Poles	AMP Rating	Catalog Number	UPC
4	2 SETS 15/30	ITEQ21530CT	7 83643 19496 1
4	2 SETS 20/20	ITEQ22020CT	7 83643 19499 1
4	2 SETS 20/20	ITEQ22020CT2	7 83643 08392 9
4	2 SETS 30/30	ITEQ23030CT2	7 83643 08394 3
4	2 SETS 30/50	ITEQ23050CT2	7 83643 08398 1
4	2 SETS 40/20	ITEQ24020CT2	7 83643 08395 0
4	2 SETS 40/30	ITEQ24030CT2	7 83643 08396 7
4	2 SETS 40/40	ITEQ24040CT2	7 83643 08397 4
Sleeve Count: 4 Case Count: 16			

**Type QT
Quad Pole-Plug In
Common Trip Centers**

Requires
Two 1" Spaces

HACR
120/240VAC
10,000 AIC



Part numbers ending in CT have two pole common trip centers.

Part numbers ending in CT2 have common trip centers and outside poles, creating (2) two pole breakers in just a 2" package!

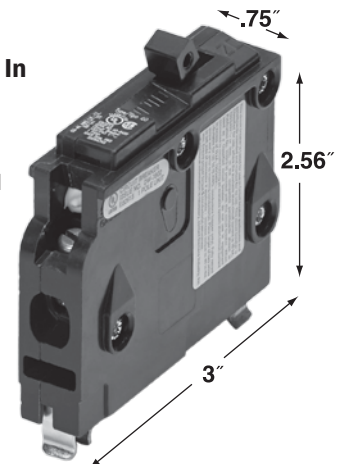
1	15	ITED115	7 83643 23962 3
1	20	ITED120	7 83643 23963 0
1	30	ITED130	7 83643 23964 7
1	40	ITED140	7 83643 23965 4
1	50	ITED150	7 83643 23966 1
Sleeve Count: 16 Case Count: 64			

**Type QD
One Pole-Plug In**

Requires One
3/4" Space

HACR SWD Rated
120VAC
10,000 AIC

Suitable
Replacement
for QO®
Square D®
Breakers.



SIEMENS®

SIEMENS BREAKERS

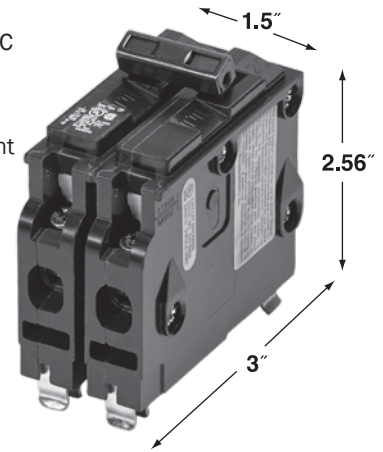
# of Poles	AMP Rating	Catalog Number	UPC
2	15	ITED215	7 83643 31874 8
2	20	ITED220	7 83643 24442 9
2	30	ITED230	7 83643 24443 6
2	40	ITED240	7 83643 24444 3
2	50	ITED250	7 83643 24445 0
2	60	ITED260	7 83643 25342 1
Sleeve Count: 8 Case Count: 32			
1	15	ITEB115	7 83643 26341 3
1	20	ITEB120	7 83643 26342 0
1	30	ITEB130	7 83643 26344 4
Sleeve Count: 12 Case Count: 48			
2	15	ITEB215	7 83643 26352 9
2	20	ITEB220	7 83643 26353 6
2	30	ITEB230	7 83643 26355 0
2	40	ITEB240	7 83643 26356 7
2	50	ITEB250	7 83643 26359 8
2	60	ITEB260	7 83643 26360 4
Sleeve Count: 6 Case Count: 12			

**Type QD
Two Pole-Plug In**

Requires Two 3/4" Spaces

HACR
120/240VAC
10,000 AIC

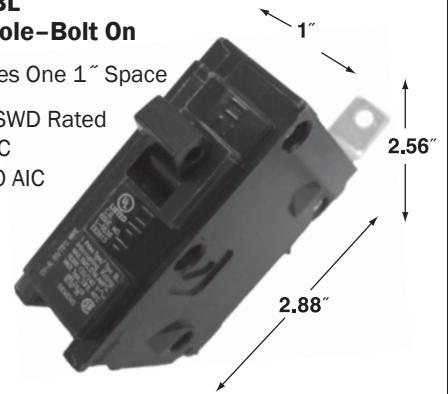
Suitable
Replacement
for QO®
Square D®
Breakers.



**Type BL
One Pole-Bolt On**

Requires One 1" Space

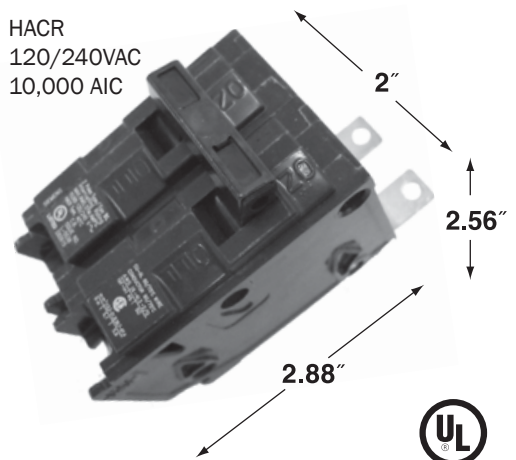
HACR SWD Rated
120VAC
10,000 AIC



**Type BL
Two Pole-Bolt On**

Requires Two 1" Spaces

HACR
120/240VAC
10,000 AIC



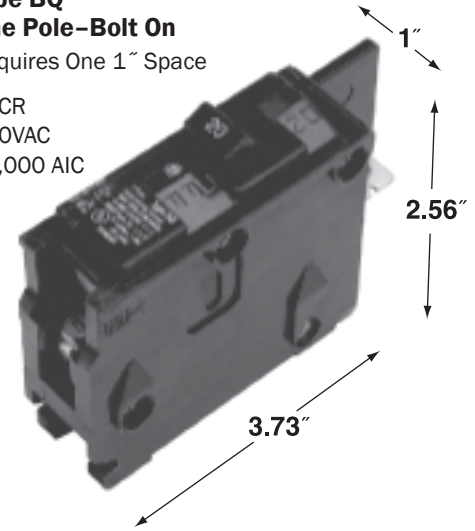
SIEMENS®

# of Poles	AMP Rating	Catalog Number	UPC
1	15	ITEBQ1B015	7 83643 10230 9
1	20	ITEBQ1B020	7 83643 10232 3
1	30	ITEBQ1B030	7 83643 10234 7
1	40	ITEBQ1B040	7 83643 10236 1
1	50	ITEBQ1B050	7 83643 10238 5
Sleeve Count: 12 Case Count: 24			
2	15	ITEBQ2B015	7 83643 10240 8
2	20	ITEBQ2B020	7 83643 10241 5
2	30	ITEBQ2B030	7 83643 10242 2
2	40	ITEBQ2B040	7 83643 10243 9
2	50	ITEBQ2B050	7 83643 10244 6
2	60	ITEBQ2B060	7 83643 10245 3
Sleeve Count: 6 Case Count: 24			
2	20	ITEQF220	7 83643 14855 0
2	30	ITEQF230	7 83643 14856 7
2	60	ITEQF260	7 83643 27377 1
Case Count: 10			

**Type BQ
One Pole-Bolt On**

Requires One 1" Space

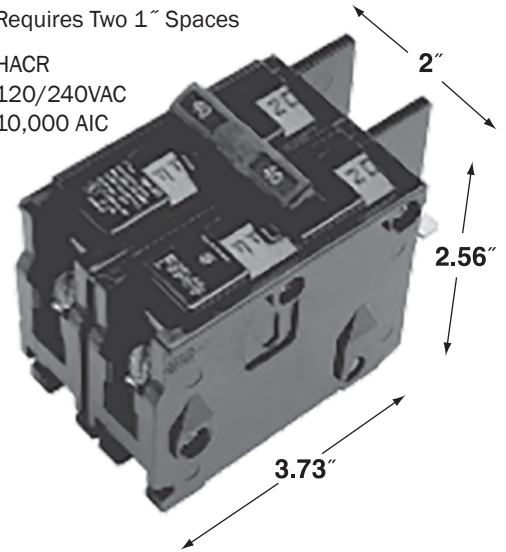
HACR
120VAC
10,000 AIC



**Type BQ
Two Pole-Bolt On**

Requires Two 1" Spaces

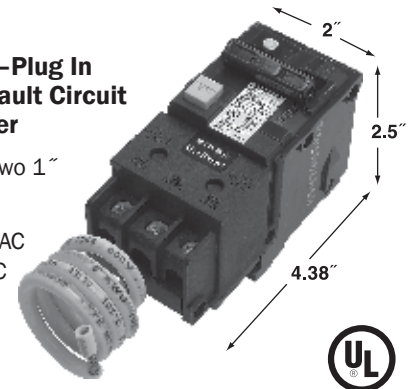
HACR
120/240VAC
10,000 AIC



**Type QPF
Two Pole-Plug In
Ground Fault Circuit
Interrupter**

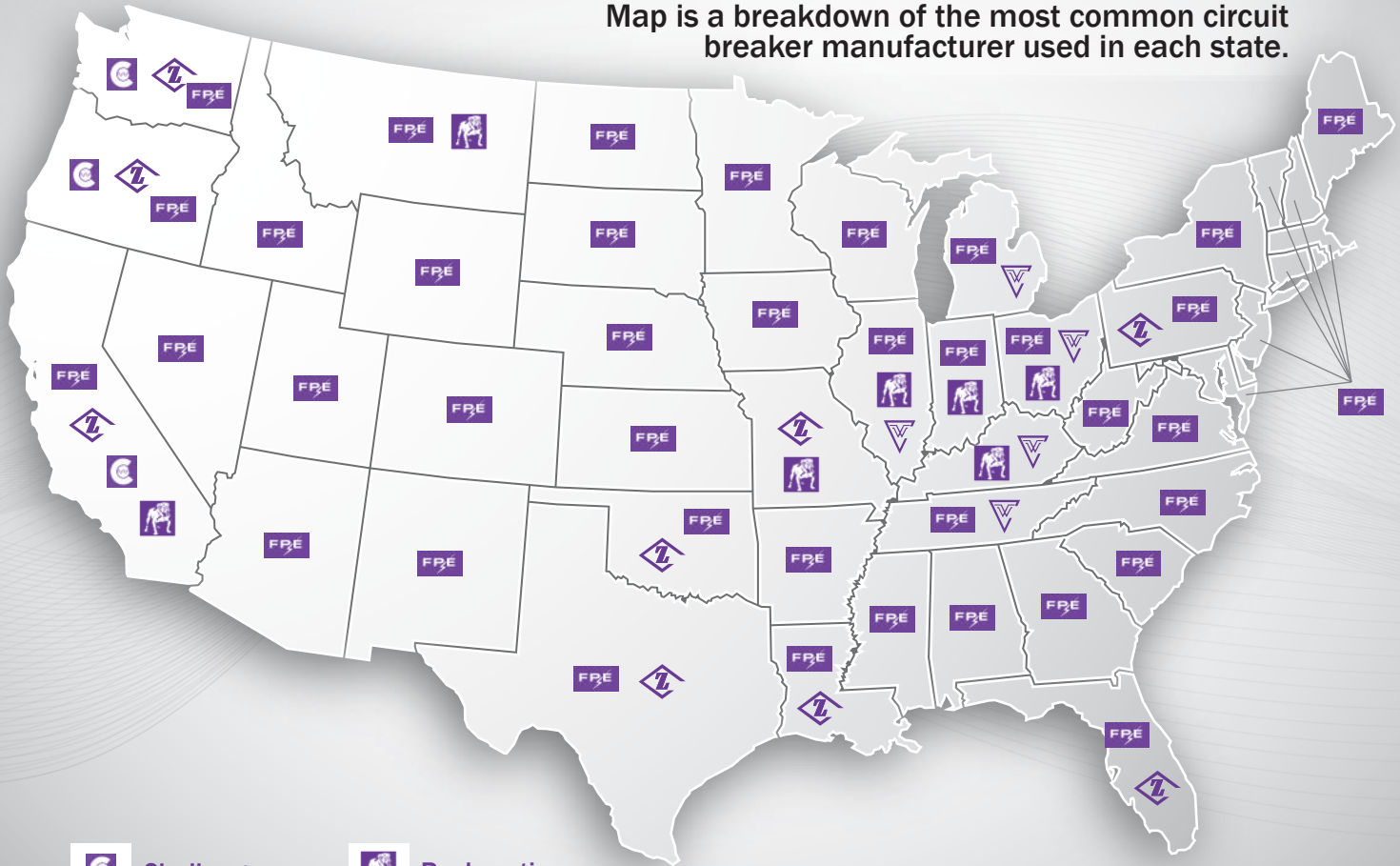
Requires Two 1" Spaces






120/240VAC
10,000 AIC



NATIONAL CIRCUIT BREAKER MANUFACTURER COVERAGE

Map is a breakdown of the most common circuit breaker manufacturer used in each state.



 Challenger	 Pushmatic
 Federal Pacific	 Wadsworth
	 Zinsco

LOAD CENTER AND CIRCUIT BREAKER CROSS-REFERENCE

YOUR PANEL:	Cutler-Hammer	Federal Pacific	General Electric	Homeline	Pushmatic	Zinsco	
WILL ACCEPT THESE BREAKERS:	Cutler-Hammer CH Series	Federal UBIF	General Electric	Homeline	Pushmatic UBIP	Zinsco UBIZ	
YOUR PANEL:	ITE Siemens	Crouse Hinds	Westinghouse	Montgomery Ward	General Switch	Challenger	Wadsworth
WILL ACCEPT THESE BREAKERS:	Crouse Hinds/Murray Cutler-Hammer BR GE-Thick Homeline Westinghouse Montgomery Ward Siemens	Crouse Hinds/Murray Bryant Cutler-Hammer BR GE-Thick General Switch Homeline Siemens Westinghouse	Crouse Hinds/Murray Bryant Cutler-Hammer BR GE-Thick General Switch Homeline Siemens Westinghouse	Crouse Hinds/Murray Bryant Cutler-Hammer BR GE-Thick General Switch Homeline Siemens Westinghouse	Crouse Hinds/Murray Bryant Cutler-Hammer BR GE-Thick General Switch Homeline Siemens Westinghouse	Crouse Hinds/Murray Bryant Challenger A Series Challenger C Series Cutler-Hammer BR Cutler-Hammer General Switch Homeline Siemens Westinghouse	Wadsworth UBIA



UBITB TYPE A

SUITABLE REPLACEMENT FOR
CHALLENGER® A SERIES

VIEW-PAK UBITB TYPE A BREAKERS

Catalog Number	Product Description	Breaker Page No.	UPC
Packaged UBITB Type A			
VPKA115L	Challenger™ circuit breaker type A 1-pole 15A, left hand clip Clamshell packaged	1	0 94925 01909 4
VPKA115R	Challenger™ circuit breaker type A 1-pole 15A, right hand clip Clamshell packaged	1	0 94925 01892 9
VPKA120L	Challenger™ circuit breaker type A 1-pole 20A, left hand clip Clamshell packaged	1	0 94925 01893 6
VPKA120R	Challenger™ circuit breaker type A 1-pole 20A, right hand clip Clamshell packaged	1	0 94925 01894 3
VPKA130L	Challenger™ circuit breaker type A 1-pole 30A, left hand clip Clamshell packaged	1	0 94925 01895 0
VPKA130R	Challenger™ circuit breaker type A 1-pole 30A, right hand clip Clamshell packaged	1	0 94925 01896 7
VPKA215	Challenger™ circuit breaker type A 2-pole 15A, Clamshell packaged	1	0 94925 01919 3
VPKA220	Challenger™ circuit breaker type A 2-pole 20A, Clamshell packaged	1	0 94925 01912 4
VPKA230	Challenger™ circuit breaker type A 2-pole 30A, Clamshell packaged	1	0 94925 01913 1
VPKA240	Challenger™ circuit breaker type A 2-pole 40A, Clamshell packaged	1	0 94925 01914 8
VPKA250	Challenger™ circuit breaker type A 2-pole 50A, Clamshell packaged	1	0 94925 01915 5

View-Pak circuit breakers from Connecticut Electric, Inc. come in versatile packaging.

The box can be configured for an on-the-shelf dispenser, or the convenient clamshell packaging can be displayed on pegs. View-Pak breakers are ideal for any retail situation!



SUITABLE REPLACEMENT FOR
FEDERAL PACIFIC ELECTRIC®



VIEW-PAK UBIF BREAKERS

Catalog Number	Product Description	Breaker Page No.	UPC
Packaged UBIF			
VPKUBIF015N	Connecticut Electric circuit breaker type UBIF (thin) 1-pole 15A Clamshell packaged	3	0 94925 00600 1
VPKUBIF020N	Connecticut Electric circuit breaker type UBIF (thin) 1-pole 20A Clamshell packaged	3	0 94925 00601 8
VPKUBIF030N	Connecticut Electric circuit breaker type UBIF (thin) 1-pole 30A Clamshell packaged	3	0 94925 00602 5
VPKUBIF040N	Connecticut Electric circuit breaker type UBIF (thin) 1-pole 40A Clamshell packaged	3	0 94925 00621 6
VPKUBIF050N	Connecticut Electric circuit breaker type UBIF (thin) 1-pole 50A Clamshell packaged	3	0 94925 00622 3
VPKUBIF0215N	Connecticut Electric circuit breaker type UBIF (thin) 2-pole 15A Clamshell packaged	3	0 94925 00616 2
VPKUBIF0220N	Connecticut Electric circuit breaker type UBIF (thin) 2-pole 20A Clamshell packaged	3	0 94925 00603 2
VPKUBIF0230N	Connecticut Electric circuit breaker type UBIF (thin) 2-pole 30A Clamshell packaged	3	0 94925 00604 9
VPKUBIF0240N	Connecticut Electric circuit breaker type UBIF (thin) 2-pole 40A Clamshell packaged	3	0 94925 00605 6
VPKUBIF0250N	Connecticut Electric circuit breaker type UBIF (thin) 2-pole 50A Clamshell packaged	3	0 94925 00606 3
VPKUBIF15N	Connecticut Electric circuit breaker type UBIF (thick) 1-pole 15A Clamshell packaged	2	0 94925 00607 0
VPKUBIF20N	Connecticut Electric circuit breaker type UBIF (thick) 1-pole 20A Clamshell packaged	2	0 94925 00608 7

Call us or login to your web account for current price and availability!

No web account?

Go to: www.connecticut-electric.com

SIGN UP TODAY!



SUITABLE REPLACEMENT FOR
FEDERAL PACIFIC ELECTRIC®
AND PUSHMATIC®














Catalog Number	Product Description	Breaker Page No.	UPC
Packaged UBIF			
VPKUBIF30N	Connecticut Electric circuit breaker type UBIF (thick) 1-pole 30A Clamshell packaged	2	0 94925 00609 4
VPKUBIF40N	Connecticut Electric circuit breaker type UBIF (thick) 1-pole 40A Clamshell packaged	2	0 94925 01837 0
VPKUBIF50N	Connecticut Electric circuit breaker type UBIF (thick) 1-pole 50A Clamshell packaged	2	0 94925 01838 7
VPKUBIF215N	Connecticut Electric circuit breaker type UBIF (thick) 2-pole 15A Clamshell packaged	2	0 94925 00617 9
VPKUBIF220N	Connecticut Electric circuit breaker type UBIF (thick) 2-pole 20A Clamshell packaged	2	0 94925 00610 0
VPKUBIF230N	Connecticut Electric circuit breaker type UBIF (thick) 2-pole 30A Clamshell packaged	2	0 94925 00611 7
VPKUBIF240N	Connecticut Electric circuit breaker type UBIF (thick) 2-pole 40A Clamshell packaged	2	0 94925 00612 4
VPKUBIF250N	Connecticut Electric circuit breaker type UBIF (thick) 2-pole 50A Clamshell packaged	2	0 94925 00613 1
VPKUBIF260N	Connecticut Electric circuit breaker type UBIF (thick) 2-pole 60A Clamshell packaged	2	0 94925 00614 8
VPKUBIF270N	Connecticut Electric circuit breaker type UBIF (thick) 2-pole 70A Clamshell packaged	2	0 94925 00618 6
Packaged UBIP			
VPKUBIP115	Connecticut Electric circuit breaker type UBIP 1-pole 15A Clamshell packaged	4	0 94925 00400 7
VPKUBIP120	Connecticut Electric circuit breaker type UBIP 1-pole 20A Clamshell packaged	4	0 94925 00401 4
VPKUBIP130	Connecticut Electric circuit breaker type UBIP 1-pole 30A Clamshell packaged	4	0 94925 00402 1
VPKUBIP215	Connecticut Electric circuit breaker type UBIP 2-pole 15A Clamshell packaged	4	0 94925 00411 3
VPKUBIP220	Connecticut Electric circuit breaker type UBIP 2-pole 20A Clamshell packaged	4	0 94925 00405 2
VPKUBIP230	Connecticut Electric circuit breaker type UBIP 2-pole 30A Clamshell packaged	4	0 94925 00406 9

SUITABLE REPLACEMENT FOR
PUSHMATIC® & ZINSCO®

UBIP & UBIZ



VIEW-PAK UBIP & UBIZ BREAKERS

Catalog Number	Product Description	Breaker Page No.	UPC
Packaged UBIP			
VPKUBIP240	Connecticut Electric circuit breaker type UBIP 2-pole, 40A Clamshell packaged	4	 9 4 9 2 5 0 0 4 0 7 6
VPKUBIP250	Connecticut Electric circuit breaker type UBIP 2-pole, 50A Clamshell packaged	4	 9 4 9 2 5 0 0 4 0 8 3
VPKUBIP260	Connecticut Electric circuit breaker type UBIP 2-pole, 60A Clamshell packaged	4	 9 4 9 2 5 0 0 4 0 9 0
VPKUBIP270	Connecticut Electric circuit breaker type UBIP 2-pole, 70A Clamshell packaged	4	 9 4 9 2 5 0 0 4 1 4 4
VPKUBIP2100	Connecticut Electric circuit breaker type UBIP 2-pole, 100A Clamshell packaged	4	 9 4 9 2 5 0 0 4 1 3 7
VPKUBIP1515	Connecticut Electric circuit breaker type UBIP 1-pole Twin, 15A/15A Clamshell packaged	4	 9 4 9 2 5 0 0 4 0 3 8
VPKUBIP1520	Connecticut Electric circuit breaker type UBIP 1-pole Twin, 15A/20A Clamshell packaged	4	 9 4 9 2 5 0 0 4 1 2 0
VPKUBIP2020	Connecticut Electric circuit breaker type UBIP 1-pole Twin, 20A/20A Clamshell packaged	4	 9 4 9 2 5 0 0 4 0 4 5
Packaged UBIZ - Zinsco®			
VPKUBIZ0220	Zinsco® replacement circuit breaker type UBIZ (type RC3820) 2-pole 20A Clamshell packaged	5	 9 4 9 2 5 0 0 3 1 0 9
VPKUBIZ0230	Zinsco® replacement circuit breaker type UBIZ (type RC3830) 2-pole 30A Clamshell packaged	5	 9 4 9 2 5 0 0 3 1 1 6
VPKUBIZ0240	Zinsco® replacement circuit breaker type UBIZ (type RC3840) 2-pole 40A Clamshell packaged	5	 9 4 9 2 5 0 0 3 1 2 3
VPKUBIZ0250	Zinsco® replacement circuit breaker type UBIZ (type RC3850) 2-pole 50A Clamshell packaged	5	 9 4 9 2 5 0 0 3 1 3 0
VPKUBIZ0260	Zinsco® replacement circuit breaker type UBIZ (type RC3860) 2-pole 60A Clamshell packaged	5	 9 4 9 2 5 0 0 3 1 4 7

View-Pak circuit breakers from Connecticut Electric, Inc. come in versatile packaging. The box can be configured for an on-the-shelf dispenser, or the convenient clamshell packaging can be displayed on pegs. View-Pak breakers are ideal for any retail situation!



Catalog Number	Product Description	Breaker Page No.	UPC
Packaged UBIZ - Zinsco®			
VPKUBIZ1515	Zinsco® replacement circuit breaker type UBIZ (type R3815) Twin 1-pole 15A/15A Clamshell packaged	5	0 94925 00308 6
VPKUBIZ1520	Zinsco® replacement circuit breaker type UBIZ (type R381520) Twin 1-pole 15A/20A Clamshell packaged	5	0 94925 00333 8
VPKUBIZ2020	Zinsco® replacement circuit breaker type UBIZ (type R3820) Twin 1-pole 20A/20A Clamshell packaged	5	0 94925 00309 3
VPKUBIZ3030	Zinsco® replacement circuit breaker type UBIZ (type R3830) Twin 1-pole 30A/30A Clamshell packaged	5	0 94925 00315 4
Packaged UBIZ - Zinsco®			
VPKUBIZ15	Zinsco® replacement circuit breaker type UBIZ (type Q15) 1-pole 15A Clamshell packaged	6	0 94925 00300 0
VPKUBIZ20	Zinsco® replacement circuit breaker type UBIZ (type Q20) 1-pole 20A Clamshell packaged	6	0 94925 00301 7
VPKUBIZ30	Zinsco® replacement circuit breaker type UBIZ (type Q30) 1-pole 30A Clamshell packaged	6	0 94925 00302 4
VPKUBIZ220	Zinsco® replacement circuit breaker type UBIZ (type QC20) 2-pole 20A Clamshell packaged	6	0 94925 00303 1
VPKUBIZ230	Zinsco® replacement circuit breaker type UBIZ (type QC30) 2-pole 30A Clamshell packaged	6	0 94925 00304 8
VPKUBIZ240	Zinsco® replacement circuit breaker type UBIZ (type QC40) 2-pole 40A Clamshell packaged	6	0 94925 00305 5
VPKUBIZ250	Zinsco® replacement circuit breaker type UBIZ (type QC50) 2-pole 50A Clamshell packaged	6	0 94925 00306 2
VPKUBIZ260	Zinsco® replacement circuit breaker type UBIZ (type QC60) 2-pole 60A Clamshell packaged	6	0 94925 00307 9
VPKUBIZ270	Zinsco® replacement circuit breaker type UBIZ (type QCAL70) 2-pole 70A Clamshell packaged	6	0 94925 03152 2
VPKUBIZ280	Zinsco® replacement circuit breaker type UBIZ (type QCAL80) 2-pole 80A Clamshell packaged	6	0 94925 03153 9
VPKUBIZ290	Zinsco® replacement circuit breaker type UBIZ (type QCAL90) 2-pole 90A Clamshell packaged	6	0 94925 03154 6
VPKUBIZ2100	Zinsco® replacement circuit breaker type UBIZ (type QCAL100) 2-pole 100A Clamshell packaged	6	0 94925 00316 1



VIEW-PAK UBIA BREAKERS

Catalog Number	Product Description	Breaker Page No.	UPC
Packaged UBIA - Wadsworth™			
VPKWA15	Wadsworth™ circuit breaker Type A 1-pole 15A Clamshell packaged	7	0 94925 00800 5
VPKWA20	Wadsworth™ circuit breaker Type A 1-pole 20A Clamshell packaged	7	0 94925 00801 2
VPKWA30	Wadsworth™ circuit breaker Type A 1-pole 30A Clamshell packaged	7	0 94925 00802 9
VPKWA220	Wadsworth™ circuit breaker Type A 2-pole 20A Clamshell packaged	7	0 94925 00803 6
VPKWA230	Wadsworth™ circuit breaker Type A 2-pole 30A Clamshell packaged	7	0 94925 00804 3
VPKWA240	Wadsworth™ circuit breaker Type A 2-pole 40A Clamshell packaged	7	0 94925 00805 0
VPKWA250	Wadsworth™ circuit breaker Type A 2-pole 50A Clamshell packaged	7	0 94925 00806 7
VPKWA260	Wadsworth™ circuit breaker Type A 2-pole 60A Clamshell packaged	7	0 94925 00807 4
VPKWB1515	Wadsworth™ circuit breaker Type B Twin 1-pole 15A/15A Clamshell packaged		0 94925 00824 1
VPKWB1520	Wadsworth™ circuit breaker Type B Twin 1-pole 15A/20A Clamshell packaged		0 94925 00832 6
VPKWB2020	Wadsworth™ circuit breaker Type B Twin 1-pole 20A/20A Clamshell packaged		0 94925 00825 8
VPKWB3030	Wadsworth™ circuit breaker Type B Twin 1-pole 30A/30A Clamshell packaged		0 94925 00826 5

Quick, Accurate, and Reliable...
Connecticut Electric consistently ships correct, complete, and on time!



INTERCHANGEABLE

Catalog Number	Product Description	Breaker Page No.	UPC
Packaged Interchangeable			
VPKICBQ115	Interchangeable 1" circuit breaker 1-pole 15A Clamshell packaged	10	9 4 9 2 5 0 0 7 0 0 8
VPKICBQ120	Interchangeable 1" circuit breaker 1-pole 20A Clamshell packaged	10	9 4 9 2 5 0 0 7 0 1 5
VPKICBQ130	Interchangeable 1" circuit breaker 1-pole 30A Clamshell packaged	10	9 4 9 2 5 0 0 7 0 2 2
VPKICBQ215	Interchangeable 2" circuit breaker 2-pole 15A Clamshell packaged	11	9 4 9 2 5 0 0 7 1 0 7
VPKICBQ220	Interchangeable 2" circuit breaker 2-pole 20A Clamshell packaged	11	9 4 9 2 5 0 0 7 0 3 9
VPKICBQ230	Interchangeable 2" circuit breaker 2-pole 30A Clamshell packaged	11	9 4 9 2 5 0 0 7 0 4 6
VPKICBQ235	Interchangeable 2" circuit breaker 2-pole 35A Clamshell packaged	11	9 4 9 2 5 0 0 7 0 9 1
VPKICBQ240	Interchangeable 2" circuit breaker 2-pole 40A Clamshell packaged	11	9 4 9 2 5 0 0 7 0 5 3
VPKICBQ245	Interchangeable 2" circuit breaker 2-pole 45A Clamshell packaged	11	9 4 9 2 5 0 0 7 1 1 4
VPKICBQ250	Interchangeable 2" circuit breaker 2-pole 50A Clamshell packaged	11	9 4 9 2 5 0 0 7 0 6 0
VPKICBQ260	Interchangeable 2" circuit breaker 2-pole 60A Clamshell packaged	11	9 4 9 2 5 0 0 7 0 8 4
VPKICBQ2100	Interchangeable 2" circuit breaker 2-pole 100A Clamshell packaged	12	9 4 9 2 5 0 0 7 1 2 1
VPKICBQ1515	Interchangeable Twin 1" circuit breaker Twin 1-pole 15A/15A Clamshell packaged	11	9 4 9 2 5 0 0 7 1 4 5
VPKICBQ1520	Interchangeable Twin 1" circuit breaker Twin 1-pole 15A/20A Clamshell packaged	11	9 4 9 2 5 0 1 7 2 0 5
VPKICBQ2020	Interchangeable Twin 1" circuit breaker Twin 1-pole 20A/20A Clamshell packaged	11	9 4 9 2 5 0 0 7 1 5 2



VIEW-PAK SIEMENS BREAKERS

Catalog Number	Product Description	Breaker Page No.	UPC
Packaged Siemens - Type QP			
VPKQ115	Siemens® circuit breaker type QP 1-pole 15A Clamshell packaged	10	0 94925 01400 6
VPKQ120	Siemens® circuit breaker type QP 1-pole 20A Clamshell packaged	10	0 94925 01401 3
VPKQ130	Siemens® circuit breaker type QP 1-pole 30A Clamshell packaged	10	0 94925 01402 0
VPKQ215	Siemens® circuit breaker type QP 2-pole 15A Clamshell packaged	11	0 94925 01403 7
VPKQ220	Siemens® circuit breaker type QP 2-pole 20A Clamshell packaged	11	0 94925 01404 4
VPKQ230	Siemens® circuit breaker type QP 2-pole 30A Clamshell packaged	11	0 94925 01405 1
VPKQ240	Siemens® circuit breaker type QP 2-pole 40A Clamshell packaged	11	0 94925 01406 8
VPKQ250	Siemens® circuit breaker type QP 2-pole 50A Clamshell packaged	11	0 94925 01407 5
VPKQ260	Siemens® circuit breaker type QP 2-pole 60A Clamshell packaged	11	0 94925 01408 2
VPKQ2100	Siemens® circuit breaker type QP 2-pole 100A Clamshell packaged	12	0 94925 01413 6



View-Pak circuit breakers from Connecticut Electric, Inc. come in versatile packaging.

The box can be configured for an on-the-shelf dispenser, or the convenient clamshell packaging can be displayed on pegs. View-Pak breakers are ideal for any retail situation!



Catalog Number	Product Description	Breaker Page No.	UPC
Packaged Siemens - Type QT			
VPKQ1515	Siemens® duplex circuit breaker type QT Class CTL Twin 15A/15A Clamshell packaged	11	94925 01409 9
VPKQ2020	Siemens® duplex circuit breaker type QT Class CTL Twin 20A/20A Clamshell packaged	11	94925 01411 2
Packaged Siemens - Type QPF			
VPKQF115	Siemens® GFCI circuit breaker type QF 1-pole, 15A Clamshell packaged		94925 01415 0
VPKQF120	Siemens® GFCI circuit breaker type QF 1-pole, 20A Clamshell packaged		94925 01416 7
Packaged Interchangeable - Type QD			
VPKD115	Siemens circuit breaker type QD Replacement for Square D® QO 1-pole 15A Clamshell packaged	13	94925 01920 9
VPKD120	Siemens circuit breaker type QD Replacement for Square D® QO 1-pole 20A Clamshell packaged	13	94925 01921 6
VPKD130	Siemens circuit breaker type QD Replacement for Square D® QO 1-pole 30A Clamshell packaged	13	94925 01922 3
VPKD220	Siemens circuit breaker type QD Replacement for Square D® QO 2-pole 20A Clamshell packaged	14	94925 01924 7
VPKD230	Siemens circuit breaker type QD Replacement for Square D® QO 2-pole 30A Clamshell packaged	14	94925 01925 4
VPKD240	Siemens circuit breaker type QD Replacement for Square D® QO 2-pole 40A Clamshell packaged	14	94925 01926 1
VPKD250	Siemens circuit breaker type QD Replacement for Square D® QO 2-pole 50A Clamshell packaged	14	94925 01927 8
VPKD260	Siemens circuit breaker type QD Replacement for Square D® QO 2-pole 60A Clamshell packaged	14	94925 01928 5

Quick, Accurate, and Reliable...
Connecticut Electric consistently ships correct, complete, and on time!

LOAD CENTER ACCESSORIES

REPLACEMENT PARTS FOR POPULAR BREAKER PANELS

Catalog Number	UPC
VPKGBK5	0 94925 02038 0
VPKNCFS	0 94925 02024 3
VPKQF3	0 94925 02033 5

All load panel accessories come in View-Pak clamshell packaging.

VPKNCFS
Federal Pacific Electric® 1/2" NC Filler Plate



VPKGBK5
Universal Replacement 5 Position Ground Bar Kit



VPKQF3
Siemens® 1" Filler Plate



CEI POWER ADAPTERS

EASILY ADAPTS CORD ENDS TO AVAILABLE RECEPTACLE

AMP Rating	Catalog Number	UPC
20	CESMAD2030	0 94925 03240 6
20	CESMAD3020	0 94925 03241 3
20	CESMAD5020	0 94925 03295 6
20	CESMAD5030	0 94925 03296 3



CESMAD2030
RV plug adaptor 5-15R receptacle to TT-30 plug. Rated 20A



CESMAD3020
RV plug adaptor TT-30R receptacle to 5-15 plug. Rated 20A



CESMAD5020
RV plug adaptor 14-50R receptacle to 5-15 plug. Rated 20A



CESMAD5030
RV plug adaptor 14-50R receptacle to TT-30 plug. Rated 30A

MINI BREAKERS

REPLACEMENT BREAKERS FOR EDISON BASE SCREW IN FUSES

AMP Rating	Catalog Number	UPC
15	VPKMB15	0 94925 03128 7
20	VPKMB20	0 94925 03129 4



VPKMB15
Mini-Breaker Edison base resettable circuit protector 125V, 15A Clamshell packaged



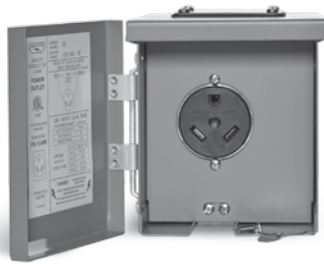
VPKMB20
Mini-Breaker Edison base resettable circuit protector 125V, 20A Clamshell packaged

Great Value! Never buy fuses again!

LOAD CENTER ACCESSORIES/ADAPTERS/MINI BREAKERS

RV POWER OUTLETS

NEMA 3R RECREATIONAL VEHICLE OUTLETS IDEAL FOR HOME, STORAGE, OR PARK USE



CESMPS13HR
TT-30 travel trailer receptacle



CESMPS54HR
NEMA 14-50 receptacle

Output Rating	Catalog Number	UPC
120V 30A	CESMPS13HR	0 94925 03213 0
120/240V 50A	CESMPS54HR	0 94925 03239 0
120V 30A	CESMPSC13HR	0 94925 03211 6
120/240V 30A	CESMPSC41GRHR	0 94925 03212 3
120/240V 50A	CESMPSC55GRHR	0 94925 03216 1
120/240V 30/50A	CESMPSC75GRHR	0 94925 03225 3



CESMPSC75GRHR
NEMA 5-20R2 GFCI, TT-30 travel trailer receptacle NEMA 14-50 Breakers: 1P 20A, 1P 30A 2P 50A



CESMPSC55GRHR
NEMA 5-20R2 GFCI NEMA 14-50 Breakers: 1P 20A 2P 50A



CESMPSC41GRHR
NEMA 5-20R2 GFCI TT-30 travel trailer receptacle Breakers: 1P 20A, 1P 30A



CESMPSC13HR
TT-30 travel trailer receptacle Breaker: 1P 30A

NEWLY DESIGNED RV POWER PANEL

> 30 & 50 AMP DUAL SERVICE SHORE POWER RECEPTACLES

FEATURES/BENEFITS

- > SURFACE MOUNT
- > HUB PROVISION PROVIDED
- > DROP AWAY NEMA 3R RAIN-TIGHT DOOR
- > PROVIDES EASY ACCESS TO POWER CORD HANDLES
- > ALLOWS CORD TO BE USED WHEN DOOR IS CLOSED



Connecticut Electric
Quality Electrical Products • Since 1906

connecticut-electric.com | 800.730.2557



REPLACEMENT CIRCUIT BREAKERS DISPLAY SYSTEMS

Planogram Display

It's easy for your customer to locate and identify the exact breaker they need—both by amperage and by manufacturer.

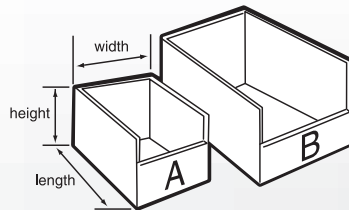
Our amperage cards provide helpful information for making the correct purchase.

Color-coded clamshell packaging corresponds to manufacturer's header card above it.



Shelf Display

Connecticut Electric's cut-case boxes are specially designed to fit neatly and efficiently side-by-side on a shelf.



width x height x length (inches)
 Box A 4 x 6-1/4 x 6-3/4
 Box B 6-1/2 x 6 x 8-1/4





© 2014 Connecticut Electric, Inc. The use of the trademarks of entities other than Connecticut Electric should not be construed as an endorsement or authorization of the respective manufacturers to sell the products advertised. The products advertised may be individually repackaged, not under license, by Connecticut Electric. Connecticut Electric is independent of and is not in any way connected, affiliated with, or sponsored by any of the other manufacturers of the products advertised herein.