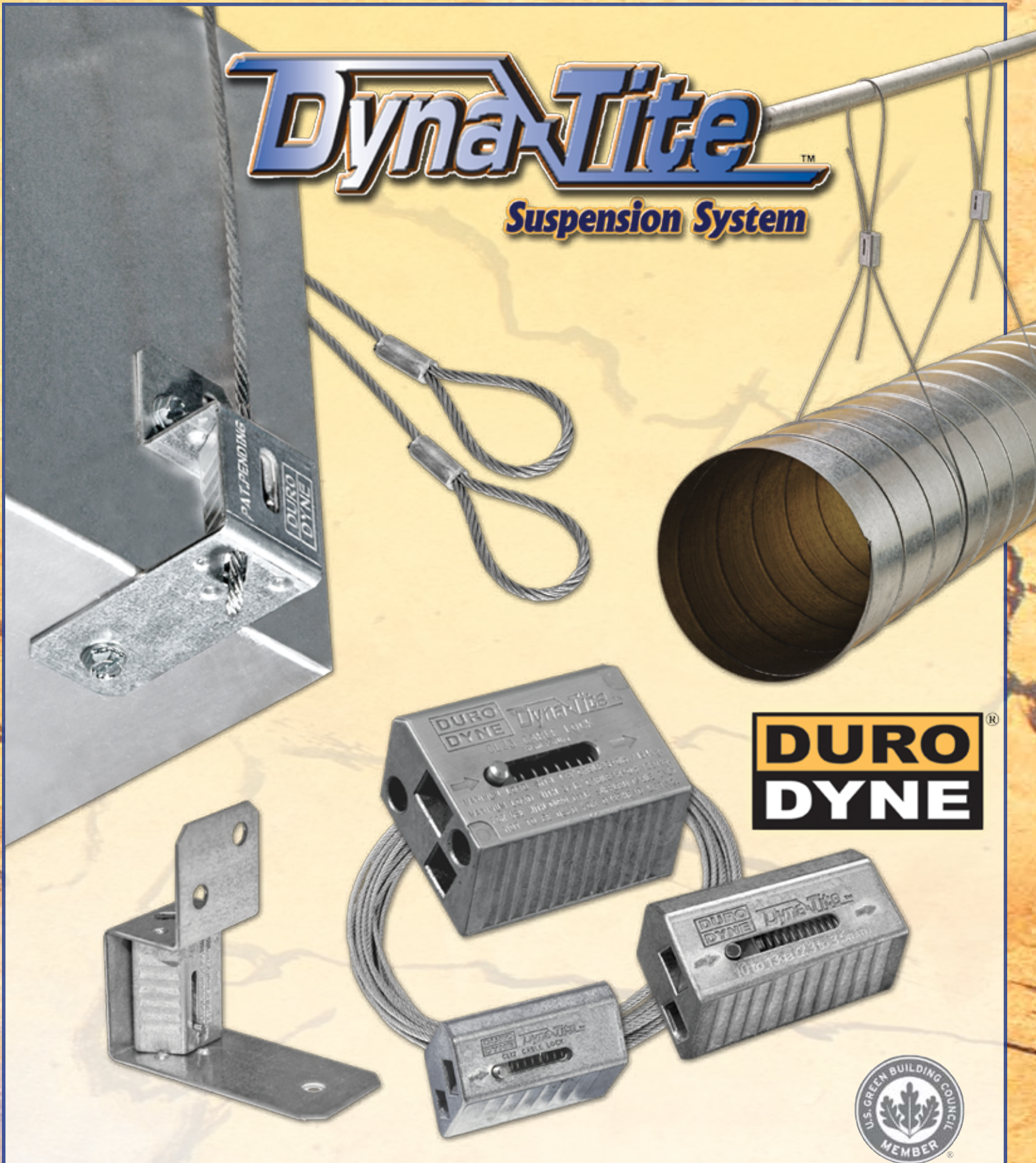


DynaTite™

Suspension System



**DURO
DYNE**



**The fastest, easiest and most reliable way
to secure ductwork & equipment**

TABLE OF CONTENTS

Benefits	2
Applications	3
Cable Locks	4
Installation Instructions	5
Accessories	6-7
Starter Kit	8
Recommendations & Precautions	8
Testing	8

DYNA-TITE SYSTEM BENEFITS

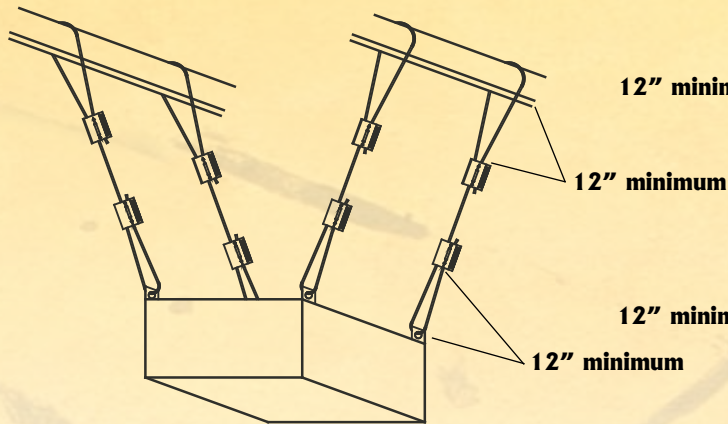
- Its labor saving qualities have been shown to reduce installation time by up to 6 times compared to traditional threaded rod.
- It provides a fast and strong solution to the task of hanging Mechanical and HVAC Systems.
- It allows the installer to position the hangers vertically or at an angle to the suspended object.
- Dyna-Tite System is lightweight and easy to carry, and combines these qualities with the inherent strength of high tensile wire rope.
- Its light weight improves safety on the job. Carrying the product on the job site is easy and, in aerial situations, it reduces accident risk caused by falling materials.



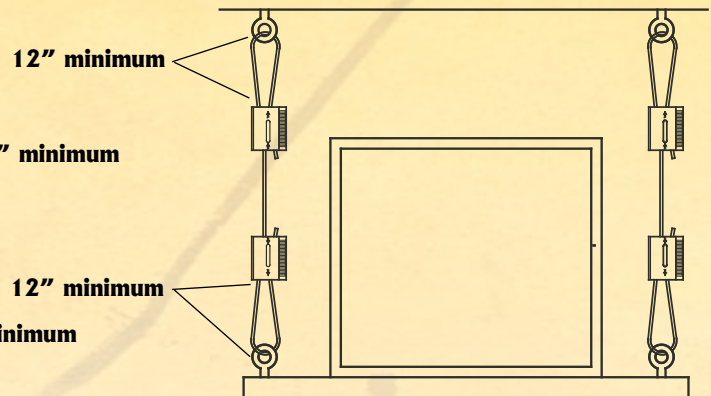
APPLICATIONS

Dyna-Tite cable locks and wire rope can be used for suspension in a variety of ways to accommodate most mechanical and HVAC construction applications.

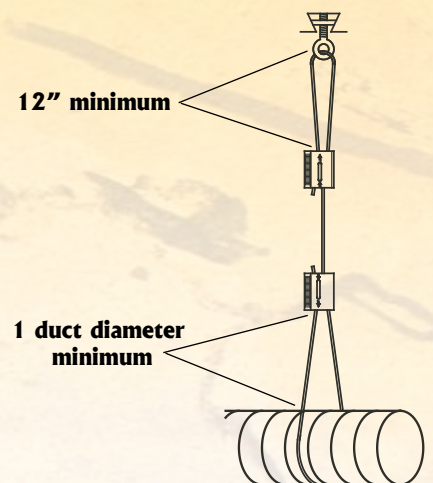
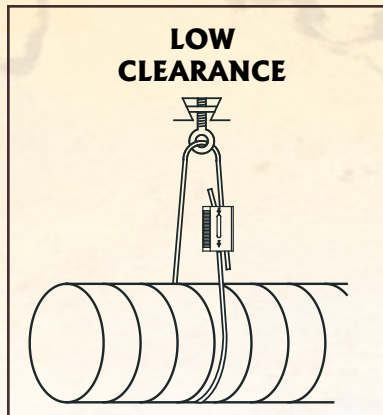
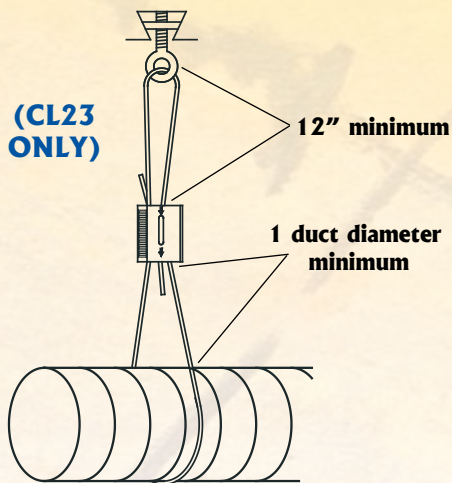
UNIT HANGING



RECTANGULAR DUCT WORK



SPIRAL DUCT WORK



DYNA-TITE CABLE LOCKS

CL23 Cable Lock

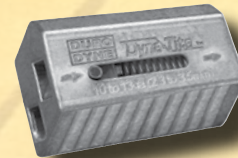
- The Maximum Load Range for each size wire rope incorporates a design safety factor of 5:1. The CL23 and wire rope combination should be sized for the job so that the projected load falls within the appropriate working load limit (WLL).
- Wire Rope for use with CL23 is supplied in rolls. The 1/8 inch comes in 500 foot rolls. The 3/16 wire rope is supplied in 250 foot rolls. (1/8 inch wire rope in 250 foot rolls and 3/16 inch wire rope in 125 foot rolls are available on special order.)



Wire Rope Diameter	Safe Working Load at 5:1 Safety Factor
1/8 inch	25-250 lbs
3/16 inch	50-640 lbs

CL18 Cable Lock

- The Dyna-Tite CL18 Cable Lock is for use with 3/32 inch and 1/8 wire rope. These size wire ropes are available in 500 foot rolls. Depending upon the wire rope utilized, the CL18 has a working load limit of up to 225 lbs. As with all Dyna-Tite cable locks, the CL18 features an easy release pin for simple adjustments without the use of tools.



Wire Rope Diameter	Safe Working Load at 5:1 Safety Factor
3/32 inch	25-150 lbs
1/8 inch	25-225 lbs

CL12 Cable Lock

- The CL12 is designed for use with either 1/16 inch or 3/32 inch wire rope. The wire rope is available in 500 foot rolls. As with all Dyna-Tite cable locks, the CL12 includes release pins for easy adjustment. The CL12 is the perfect product for hanging smaller diameter spiral (less than 24 inches), typical residential and light commercial ductwork, and air handlers in attics.



Wire Rope Diameter	Safe Working Load at 5:1 Safety Factor
1/16 inch	0-75 lbs
3/32 inch	25-150 lbs

Ordering Information

Item #	Code	Description	Carton Qty	Box Qty
30350	CL23	Cable Lock for use with 1/8in or 3/16in wire rope	10	100
30354	CL18	Cable Lock for use with 3/32in or 1/8in wire rope	10	100
30351	CL12	Cable Lock for use with 1/16in or 3/32in wire rope	10	100

Cut-away section showing the Cable Lock internal components

ZINC HOUSING

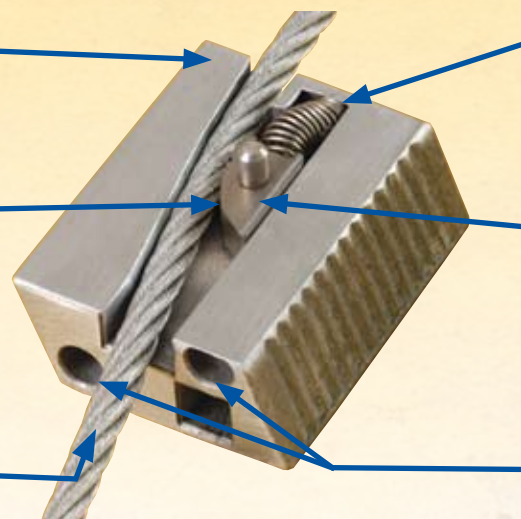
Zinc alloy combines major anti-corrosion properties with strength while providing consistent manufacturing quality.

SERRATED TEETH

Each pawl makes contact with the rope using serrated teeth. These press onto the wire rope and spread the load across the length of the pawl, maximizing the grip strength.

WIRE ROPE ENTRY

The wire rope is inserted into the Dyna-Tite channel.



STAINLESS STEEL SPRINGS

The springs, one in each channel, are manufactured of stainless steel.

LOCKING PAWLS

One sintered steel locking pawl is seated in each channel. Every locking pawl incorporates a release pin for easy adjustment after installation.

THROUGH HOLE (only on CL23)

Two "through holes" allow fast and secure hanging with only one Cable Lock.

INSTALLATION INSTRUCTIONS

STANDARD ASSEMBLY

STEP 1

Pull the release pin back and thread the wire rope into one locking channel in the cable lock.

STEP 2

Pass the wire rope "tail" through (or around) the anchor point (Eyehook, Beam, or Purlin).

STEP 3

Pull the release pin back and push the wire rope tail into the second locking channel in the cable lock.

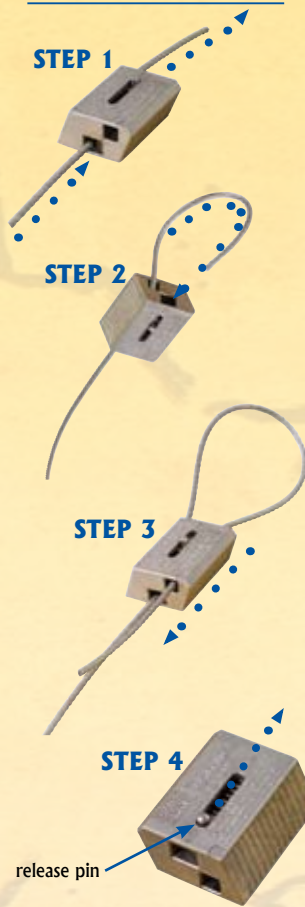
STEP 4

Prior to the load being applied, the wire rope can be adjusted in either direction by sliding the release pin and moving the wire.

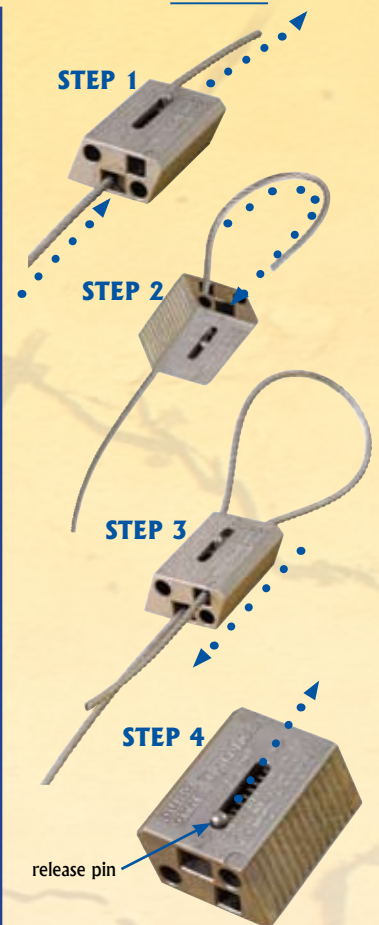
Adjusting The Cable Lock

With the load off the wire rope and the Cable Lock, push the release pin in the direction of the arrow on the Cable Lock. This will release the locking pawl and allow the wire rope to be moved freely in either direction. (After a load has been applied it may be necessary to pull the cable slightly to disengage the teeth on the pawl). Be sure the load is fully supported before attempting an adjustment.

CL12 & CL18



CL23



OPTIONAL FIGURE 8 ASSEMBLY (CL23 ONLY)

STEP 1

Thread the wire rope into the "through hole" in the CL23.

STEP 2

Pass the wire rope "tail" through (or around) the anchor point (Eyehook, Beam, or Purlin).

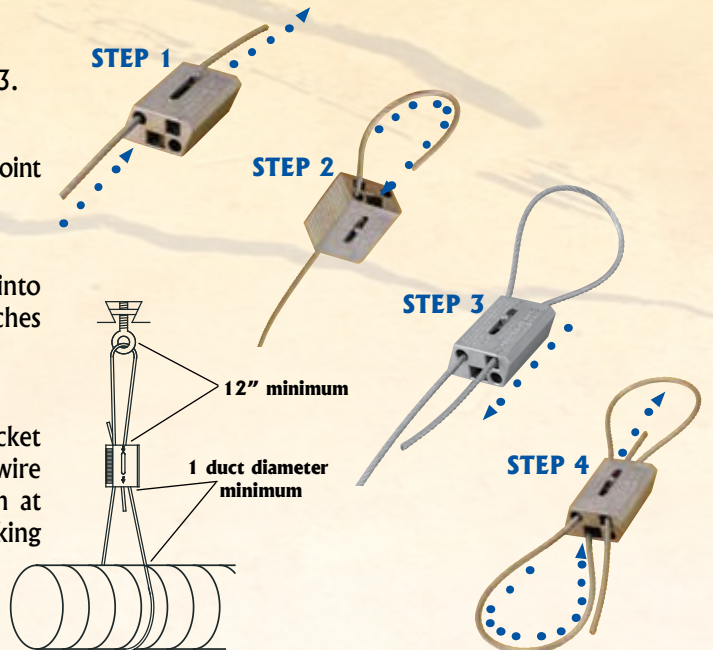
STEP 3

Pull the release pin back and push the wire rope tail into one locking channel in the CL23 and pull at least six inches of the wire rope through.

STEP 4

Pass the other wire rope end through (or around) the bracket or fixture on the object to be suspended. Return the wire rope to the CL23. Pull the release pin back and push at least six inches of wire rope through the remaining locking channel.

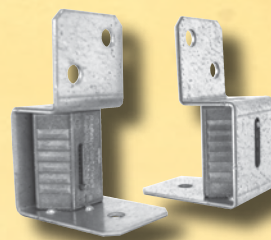
For final adjustment see Step 4 above in Standard Assembly.



DYNA-TITE ACCESSORIES

KV Bracket Assembly

The KV bracket assembly enhances the Dyna-Tite suspension system by the addition of an integral bracket, which fastens the cable lock to the duct with sheet metal screws. Once the KV assembly bracket is attached to the duct, the wire rope "drop" is passed into the entry hole at the top of the bracket, through the cable lock, and out the exit hole at the bottom. The locking teeth inside the cable lock engage the wire rope and secure the ductwork in place. The KV12 Bracket assembly and the CL12 have a working load limit of up to 150 lbs, depending upon the wire rope utilized.

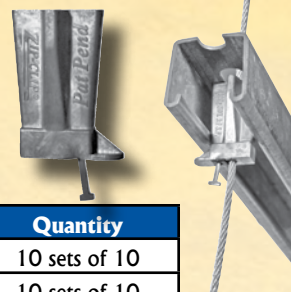


Patent Pending

Item #	Code	Description	Quantity
30361	KV12	Bracket Assembly with CL12 for use with 1/16in or 3/32in cable	100 per carton

Zip-Clip

The Zip-Clip fits securely into strut and has a spring loaded pawl which allows the entry and passage of wire rope through the cable lock. Once engaged by the pawl, the wire rope is gripped with increasing pressure as the suspended load is increased. To ease adjustment, each Zip-Clip cable lock has an integrated release to disengage the gripping pawl.



Item #	Code	Description	Quantity
30041	ZCWR5	Zip-Clip Cable Lock and Wire Rope with Loops - 5 feet	10 sets of 10
30042	ZCWR10	Zip-Clip Cable Lock and Wire Rope with Loops - 10 feet	10 sets of 10
30043	ZCWR15	Zip-Clip Cable Lock and Wire Rope with Loops - 15 feet	10 sets of 10
30044	ZCWR25	Zip-Clip Cable Lock and Wire Rope with Loops - 25 feet	5 sets of 10

Cable Lock Wire Rope

Aviation grade galvanized wire rope supplied by Duro Dyne is manufactured to exacting standards and statistically tested to verify stated breaking strengths. Duro Dyne 1/16", 3/32", and 1/8" wire ropes utilize standard 7x7 construction. 3/16" wire rope has 7x19 construction. Duro Dyne recommends only using wire rope supplied by Duro Dyne to ensure maximum safety and integrity of the installation.

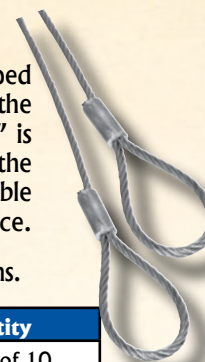


Item #	Code	Description	Tolerance	Construction	Packaging
30200	WC2	1/16" Wire Rope	+ .010/- .005 inch	7x7	500 ft./roll
30202	WC3	3/32" Wire Rope	+ .012/- .006 inch	7x7	500 ft./roll
30204	WC4	1/8" Wire Rope	+ .014/- .007 inch	7x7	500 ft./roll
30206	WC6	3/16" Wire Rope	+ .018/- .009 inch	7x19	250 ft./roll

Duro Loop Cable Sling

The Duro Loop Cable Sling enhances the Dyna-Tite suspension system by the addition of a pre-looped cable end. Once the wire rope is pulled around the anchor point and through the looped end of the cable, it is already secured at one end, saving time at the jobsite. The remaining wire rope "drop" is passed through a channel in the Dyna-Tite Cable Lock. Then, the wire rope is either wrapped around the ductwork or inserted through a fastening point and back up into the second channel of the same cable lock. The locking teeth inside the cable lock engage the wire rope which secures the ductwork in place.

To ensure maximum safety, use only looped wire rope supplied by Duro Dyne with all cable lock applications.



Item #	Code	Description	Quantity
30228	LC5-332	3/32in X 5ft 1-1/2in Looped Cable	10 bags of 10
30229	LC10-332	3/32in X 10ft 1-1/2in Looped Cable	10 bags of 10
30230	LC15-332	3/32in X 15ft 1-1/2in Looped Cable	10 bags of 10
30233	LC5-18	1/8in X 5ft 3in Looped Cable	10 bags of 10
30234	LC10-18	1/8in X 10ft 3in Looped Cable	10 bags of 10
30235	LC15-18	1/8in X 15ft 3in Looped Cable	10 bags of 10
30232	LC25-332	3/32in X 25ft 1-1/2in Looped Cable	5 bags of 10
30237	LC25-18	1/8in X 25ft 3in Looped Cable	5 bags of 10

DYNA-TITE ACCESSORIES

Cable Cutter

When cutting wire cable it is important to use a recognized wire cable cutter such as the Duro Dyne cutter detailed here. This will ensure that the form of the rope is maintained prior to insertion in the Dyna-Tite.

- Safety Catch
- 3/16" Cutting Capacity
- Spring Loaded For Ease Of Use
- 5" Long Handles For High Leverage
- Hardened Steel Blades For Durability
- Vinyl Coated Handles For Comfortable, Non-Slip Grip



Item #	Code	Description	Qty
894075	DTWRC	Cable Cutter	1

Custom Cable Counter

The CCC1 makes preparing for your duct hanging project a lot simpler. Take an empty five gallon bucket, put a spool of wire rope in the bottom, put in some boxes of Dyna-Tite cable locks and a cable cutter. Place the CCC1 on top of the bucket and you are ready for the job site.

At the job site remove the cable lock boxes and the wire cutter, thread the wire rope through the CCC1 measuring device and you are ready to hang ductwork. Just pull the wire rope to the length needed, cut it and reset the counter.

- Counter displays from 0 feet 0 inches to 9999 feet and 11 inches
- Push Button Reset
- Designed For Use With Duro Dyne Wire Rope
- Fits most 5 gallon buckets



Item #	Code	Description	Qty
30390	CCC1	Custom Cable Counter	1

Spiral Buckle

The zinc plated 14 gauge Spiral Buckle is designed to suspend round and oval ductwork from ceiling joists or beams with the use of threaded rod up to 3/8" in diameter. Simply place 1" hanging strap in one side of the buckle then around the material and into the other side of the buckle. When the strap is correctly inserted through the slots, the strap is locked into the buckle by the weight of the duct.

(See application photo on page 1)



Item #	Code	Description	Qty
30340	DSB1	Dyna-Tite Spiral Buckle	50/box

Eye Bolt & Nut

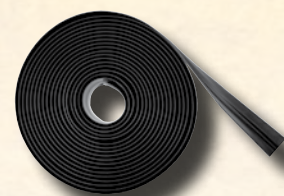
A simple way to provide an anchor point is by using an eye bolt and nut. The eye bolt has a 3/4" inside diameter ring to make wire rope attachment easy.



Item #	Code	Description	Qty
30220	DDG3W	Eye Bolt & Nut (3/8"-16 x 2-1/2")	100/Box

Cable Saddle

Dyna-Tite Cable Saddle is used to protect spiral or rectangular ductwork from the abrasions of cable. The flexible saddle material is available in 25 foot rolls and is dispensed through an opening in the carton. The smooth lightweight construction provides easy use on the job site and allows for the saddle to be readily cut to length and positioned between the wire rope and the duct.



Item #	Code	Description	Qty
30221	DCS25	Cable Saddle	25ft per roll

Saddle Glue Squares

The self-stick patches are used in conjunction with the Cable Saddle to keep it in position while assembling the wire rope "drops". Each patch has a peel-off release backing to protect the adhesive on both surfaces from contaminants until ready for use.



Item #	Code	Description	Qty
30222	DSGS	Adhesive Patch	50/box

DYNA-TITE STARTER KIT



The Starter Kit has everything you need to begin hanging ductwork or equipment.

INCLUDES:

- 1 Roll of 3/32" Cable
- 100 CL12 Cable Locks
- 1 Custom Cable Counter Lid and Bucket
- 1 Cable Cutter

RECOMMENDATIONS & PRECAUTIONS

As a matter of sound engineering practice, the Dyna-Tite assembly must be located no closer than 12 inches to the suspension point. In the case of round duct, where the wire rope encircles the duct, the Dyna-Tite must be located the distance of one diameter from the duct wall. Adherence to these minimum clearances will distribute the load the most efficiently among all duct hanging components.

- **TO ENSURE HANGING SYSTEM INTEGRITY AND SAFETY:** Use only Duro Dyne wire rope.
- **TO FACILITATE HEIGHT ADJUSTMENT:** Install the object low and adjust it upwards to the desired level.
- **DO NOT EXCEED THE WORKING LOAD LIMIT (WLL) OF THE PRODUCT:** Each product is load rated and incorporates a minimum safety factor of 5:1. This WLL takes into account the specification criteria of the Dyna-Tite Cable Lock and the wire rope.
- **DO NOT USE ON COATED WIRE ROPE:** It is important to maintain the metal to metal contact between the locking pawls in the Dyna-Tite and the wire rope.
- **DO NOT APPLY PAINT OR OTHER COATING:** to any part of the assembly as these may impair the free movement of the locking pawls inside the Dyna-Tite Cable Lock.
- **DO NOT APPLY LUBRICANT:** to any part of the assembly as this will alter the surface nature of the wire rope and attract dirt and debris.
- **DO NOT USE FOR LIFTING:** (UNDER HOOK SLINGS) This product is designed for static load applications only.
- **KEEP THE PRODUCT CLEAN AND FREE FROM DIRT:** Any dirt should be removed from the product prior to assembly.
- **INSPECT PERIODICALLY:** Upon inspection, discard and replace if worn, distorted, or damaged.
- **REMOVE DAMAGED WIRE ENDS:** Using a designated pair of wire rope cutters prior to inserting into the Dyna-Tite Cable Lock.

TESTING

- All Dyna-Tites have been independently tested to five times their allowable working load by one or more of the following independent laboratories:

**RADCO Inc, Long Beach CA
New York Testing Laboratories**

**SMACNA Testing and Research Institute
Underwriters Laboratories**

- All Dyna-Tites have been tested to UL 1598 and are listed under File# E246601.

LISTED
Luminaire Fitting
14HE



Duro Dyne East Division, Bay Shore, NY 631-249-9000 Fax: 631-249-8346
Duro Dyne Midwest Division, Fairfield, OH 513-870-6000 Fax: 513-870-6005
Duro Dyne West Division, Santa Fe Springs, CA 562-926-1774 Fax: 562-926-5778
Duro Dyne Canada, Lachine, Quebec, Canada 514-422-9760 Fax: 514-636-0328
www.durodyne.com E-mail: durodyne@durodyne.com

**DURO
DYNE**

© 2010 Duro Dyne Corp.
Printed in USA 4/2010
BD030405