



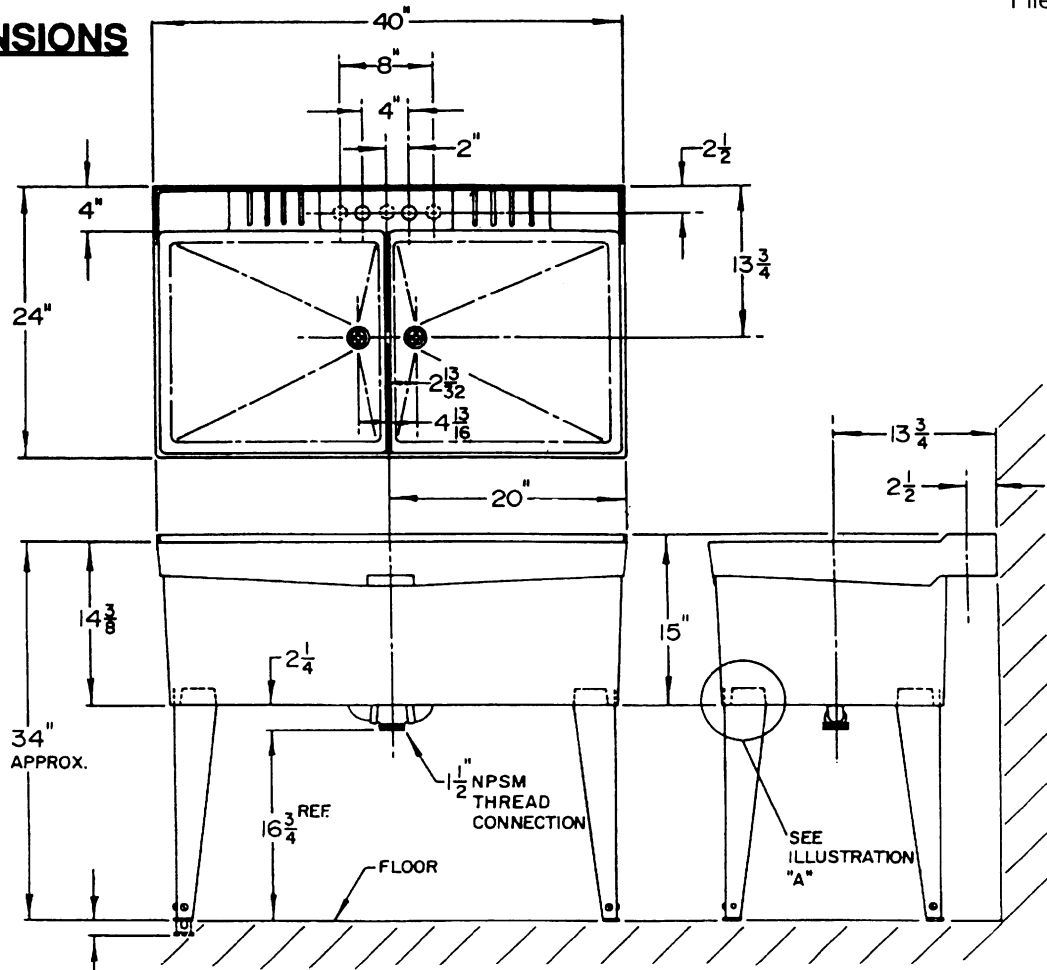
**MUSTEE**  
DOUBLE COMPARTMENT  
LAUNDRY TRAY - FLOOR MOUNTED

**MODEL 26F**



Listed  
File No. 820

**ROUGH-IN DIMENSIONS**



1. Turn **Laundry Tray** (1) upside down on a clean smooth surface, insert Leg (2) into corner socket – using a block of wood or similar pad to protect the end of the leg, strike the pad firmly with a hammer to lock leg securely into tapered socket. Repeat procedure for the remaining three legs. To determine if legs are properly seated into the corner sockets, the gap should be no greater than 1/8". See Illustration "A".
2. Attach Leveler (3) to each leg using Leveler Screw (4) and Leveler Nut (5). Do not tighten fully until **Laundry Tray** is placed in desired location, at that time, adjust level and tighten screws securely. Holes are provided in each leveler base if anchoring to floor is desired. Anchors are not furnished.
3. Insert Strainers (8) into drain holes of **Laundry Tray**, install Sealing Washers (7) on underside of tray and screw strainers into Twin Waste Drain Assembly (6) and tighten in place. See illustration "B". **DO NOT** use any putty or thread sealant on strainers or threaded areas of drain fitting. Teflon sealing tape is acceptable.
4. Mount faucets (not furnished) to rear ledge – which has 2 – 1" diameter holes in 4" centers. **Laundry Tray** will also accept single lever or 8" center set faucets, for which mounting holes will have to be drilled. Underside of ledge is marked to show these alternative mounting hole locations. If a faucet block is required for a "top feed" faucet, PN20.600 Molded Faucet Block is available.
5. With **Laundry Tray** in desired location make final water supply and sanitary drain connections in full compliance with local code requirements.

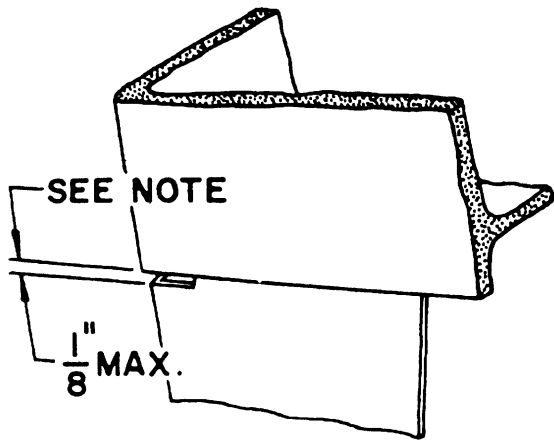
Numbers in parenthesis ( ) refer to Key Numbers in Parts List

**E.L. MUSTEE & SONS, INC.**

5431 West 164th Street • Brook Park, Ohio 44142

SI-160 (03-13)

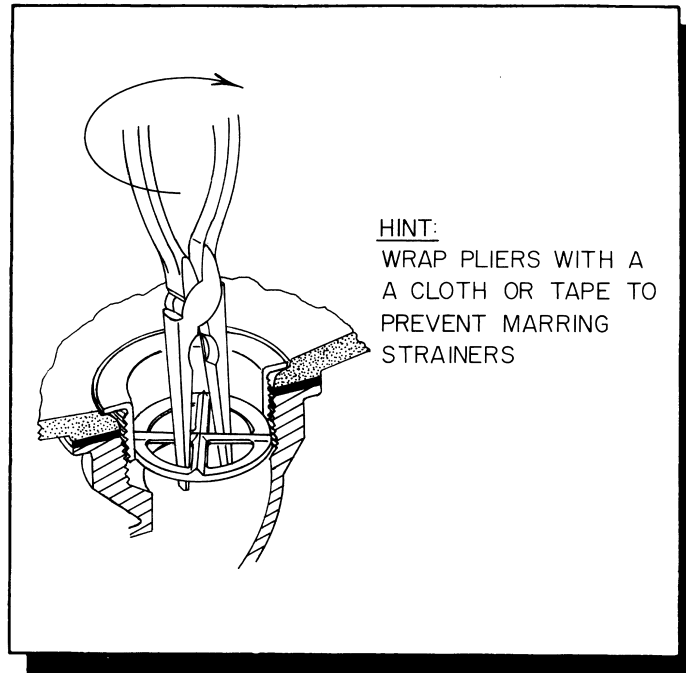
# MODEL 26F



**NOTE:**

TO DETERMINE IF LEGS ARE PROPERLY SEATED INTO CORNER SOCKETS, THE GAP SHOULD NOT BE GREATER THAN 1/8".

**ILLUSTRATION "A"**

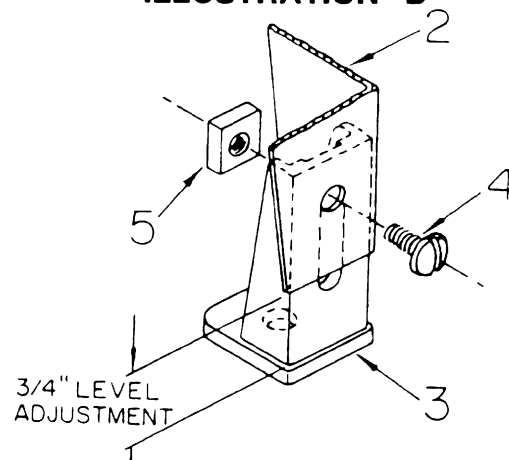
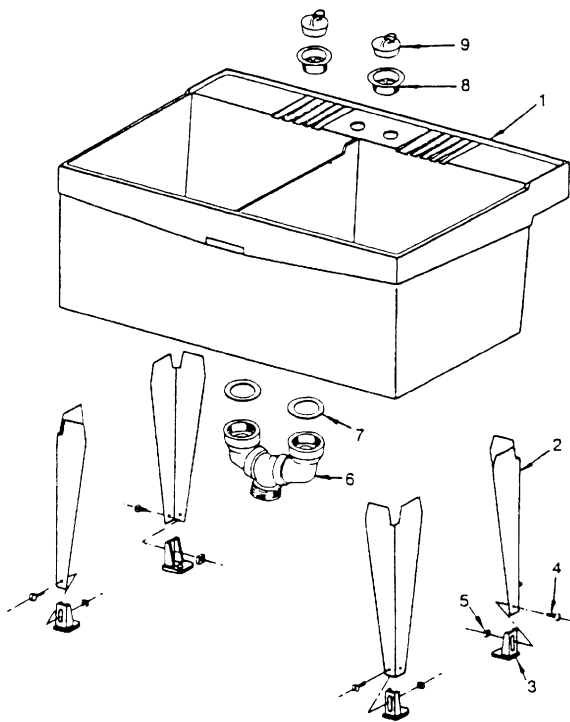


**HINT:**

WRAP PLIERS WITH A CLOTH OR TAPE TO PREVENT MARRING STRAINERS

**ILLUSTRATION "B"**

**PARTS ILLUSTRATION**



**Cleaning Note:**

Most stains that you may acquire in your **Model 26F Laundry Tray** may be removed with common household cleanser or liquid cleaner, stubborn stains may be removed with a bleach solution – follow bleach manufacturers recommended procedures pertaining to safety, handling and use of their product.

KEY NO.	PART NO.	DESCRIPTION
1	26.102	Double Compartment Laundry Tray
2	18.306	Leg (4 Required)
3	18.305	Leveler (4 Required)
4	17.801	Leveler Screw – 1/4" - 20 x 1/2" (4 Required)
5	91.801	Leveler Nut – 1/4"-20 (4 Required)
6	23.301	Twin Waste Drain Assembly
7	27.306	Sealing Washer (2 Required)
8	27.303	Strainer (2 Required)
9	23.303	Stopper – 1 1/2" Dia. (2 Required)
10	91.702	1 1/2" Tailpiece Washer (Not Shown)
11	91.703	1 1/2" Thrd. Slip Nut (Not Shown)

THIS SHEET IS AN ASSEMBLY AID, NOT A PACKING LIST

**E.L. MUSTEE & SONS, INC.**

5431 West 164th Street • Brook Park, Ohio 44142

SI-160 (03-13)