



Eagle Series

2nd Generation LED Area Light



PROJECT INFORMATION

JOB NAME	
FIXTURE TYPE	Eagle Series
CATALOG NUMBER	SLPM
APPROVED BY	

SPECIFICATIONS

Construction:

Designed for commercial and industrial applications, providing cooler operating temperatures, brighter light and longer LED life. The die cast aluminum housing utilizes external airflow fins allow for greater heat dissipation. The easy access driver compartment is a thermally independent compartment, separate from LED generated heat, for cooler operation and longer driver life.

Optics:

Atlas Eagle Series fixtures utilize precision engineered individual lenses for maximum light intensity. The lens is made of optical grade polycarbonate. Advanced one piece optic board engineered for maximum light intensity. Types II, III, V and Forward Throw distributions are available. Types II, III and Forward Throw optics are rotatable allowing for optimal placement of the fixtures on the perimeter of any layout.

Mounting:

The easy mount bracket makes installation to any style pole quick and easy. Tenon and other mounting accessories also available. For round poles 500-SLPMRPA is required.

Thermal Management:

Atlas Eagle Series fixtures are designed as a complete system to optimize LED life and light output. The thermal stacking heat removal technology extracts heat from within the housing moving it away from LEDs and components. The lower temperatures result in long LED life (200,000+ hrs¹) and component life and also allows for higher light output.

Listings:

Luminaire is certified to UL/cUL Standards for Wet Locations DesignLights Consortium qualified luminaire, eligible for rebates from DLC member utilities. See chart on last page for qualifying products.

AC Input: 120/208/240/277/347/480 V

Driver:

Constant current, 120-277 VAC, 50-60 Hz
 High Efficiency – min. 88%
 O-State Power: 0 Watts
 0-10 V Dimming

LEDs:

Available in 4000K, 4500K and 5000K, CCT
 Epoxy Guard™ protective conformal coated boards

Reduced Glare:

Positioning of the LED modules within the housing result in light directed to desired locations and reduces oensive light.

Testing:

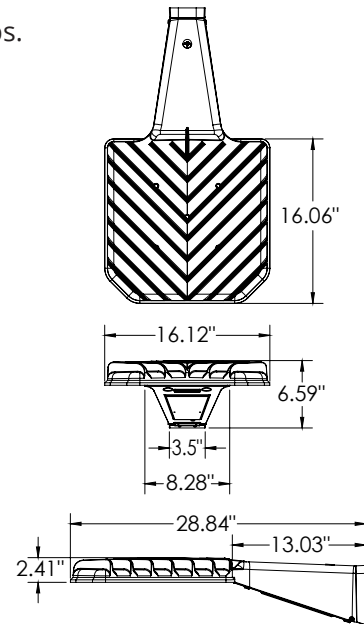
Atlas LED luminaires have been tested by an independent laboratory in accordance with IESNA LM-79 & LM-80.

Warranty: Five-year limited warranty

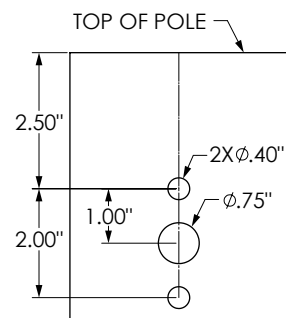


DIMENSIONS

Weight: 21 lbs.
 EPA: 0.5



DRILL PATTERN



For round poles 500-SLPMRPA is required.

Rebates and Incentives are available in many areas. Contact an Atlas Representative for more information.

¹LED Life Span Based Upon LM-80 Test Results



Eagle Series

2nd Generation LED Area Light



ORDERING INFORMATION

SLPM	9L	T3	4K					
PRODUCT SERIES	LUMEN PACKAGE	DISTRIBUTION	COLOR TEMP.	VOLTAGE	DIMMING	COLOR RENDERING	FIXTURE COLOR	OPTIONS
SLPM = Eagle Series Area Light	6L = 6,000 Lumens 9L = 9,000 Lumens 12L = 12,000 Lumens 18L = 18,000 Lumens 24L = 24,000 Lumens 30L = 30,000 Lumens 36L = 36,000 Lumens 43L = 43,000 Lumens 50L = 50,000 Lumens	T2 = Type 2 T3 = Type 3 T5 = Type 5 FT = Forward Throw T2L = Type 2 Rotated Left T3L = Type 3 Rotated Left FTL = Forward Throw Rotated Left T2R = Type 2 Rotated Right T3R = Type 3 Rotated Right FTR = Forward Throw Rotated Right	4K = 4000K 45K = 4500K 5K = 5000K	Blank = 120-277 4 = 347/480	Blank = 0-10vdc	Blank = 70CRI	Blank = Bronze BK = Black SL = Silver WT = White	PR = 7 Pin Photocell Receptacle SP = Surge Protection IC = Integrated Motion Control BTM = Bluetooth Microwave Motion Control <i>includes photocontrol</i>

PERFORMANCE DATA

LUMEN PACKAGE	DISTRIBUTION	CRI	4000K CCT		4500K CCT		5000K CCT		WATTAGE	REPLACES UP TO
			DELIVERED LUMENS	EFFICACY (LPW)	DELIVERED LUMENS	EFFICACY (LPW)	DELIVERED LUMENS	EFFICACY (LPW)		
6L	T2	70	6,067	158	6,093	159	6,152	160	39	175W
	T3	70	5,981	155	6,006	155	6,065	157		
	FT	70	5,866	152	5,891	153	5,948	154		
	T5	70	6,005	156	6,031	156	6,090	158		
9L	T2	70	9,401	163	9,442	164	9,533	166	58	175W
	T3	70	9,326	162	9,366	163	9,457	164		
	FT	70	9,104	158	9,144	159	9,232	160		
	T5	70	9,330	162	9,370	163	9,461	164		
12L	T2	70	12,354	164	12,407	165	12,527	167	75	250W
	T3	70	12,220	163	12,272	164	12,391	165		
	FT	70	11,984	160	12,035	160	12,152	162		
	T5	70	12,271	164	12,324	164	12,444	166		
18L	T2	70	19,506	160	18,509	152	18,509	152	122	400W
	T3	70	19,489	160	18,493	152	18,493	152		
	FT	70	19,182	157	18,201	149	18,201	149		
	T5	70	19,650	161	18,645	153	18,645	154		
24L	T2	70	25,447	149	24,146	141	24,146	141	171	400W
	T3	70	25,425	149	24,125	141	24,125	141		
	FT	70	25,025	146	23,745	139	23,745	139		
	T5	70	25,635	150	24,324	142	24,324	142		
30L	T2	70	29,395	166	28,859	164	28,859	164	177	750W
	T3	70	29,759	168	29,216	165	29,216	165		
	FT	70	29,393	166	28,857	163	28,857	163		
	T5	70	29,920	169	29,374	166	29,374	166		
36L	T2	70	35,542	162	34,796	159	34,796	159	219	1000W
	T3	70	35,603	162	34,856	159	34,856	159		
	FT	70	35,032	160	34,297	157	34,297	157		
	T5	70	35,323	160	34,582	157	34,582	157		
43L	T2	70	41,750	152	41,258	150	41,258	150	275	1000W
	T3	70	42,070	153	41,575	151	41,575	151		
	FT	70	41,617	151	41,127	150	41,127	150		
	T5	70	42,470	154	41,970	152	41,970	152		
50L	T2	70	48,821	147	47,962	144	47,962	144	333	1000W
	T3	70	49,190	148	48,324	145	48,324	145		
	FT	70	47,891	144	47,048	142	47,048	142		
	T5	70	49,524	149	48,652	146	48,652	146		



Eagle Series
2nd Generation LED Area Light



DLC PRODUCT INFORMATION

LUMEN PACKAGE	DISTRIBUTION	4000K CCT		4500K CCT		5000K CCT	
		DLC PRODUCT ID	CLASSIFICATION	DLC PRODUCT ID	CLASSIFICATION	DLC PRODUCT ID	CLASSIFICATION
6L	T2	P3HZOX22	Premium	P7UV0WYB	Premium	P5XG54B6	Premium
	T3	P0OTEVVF	Premium	PMONKELU	Premium	PPY27CCI	Premium
	FT	P4171VW9	Premium	PTFH77B1	Premium	P3GFKAEP	Premium
	T5	PGFAPB84	Premium	PNX9AL6A	Premium	PEYBUVEJ	Premium
9L	T2	P0SLHD2A	Premium	PVF5WCRE	Premium	PURIYEM3	Premium
	T3	PABY1367	Premium	P59PBWHK	Premium	PQ9EJ7IP	Premium
	FT	PDZ97T5N	Premium	PQVLJCVU	Premium	PK05RV0W	Premium
	T5	PJGDZOW2	Premium	P4W2FWPC	Premium	P4ZKN03D	Premium
12L	T2	PLYOUGYE	Premium	PKL63EDA	Premium	PCOKLMB7	Premium
	T3	P7ZQ6JLH	Premium	PBXT267Y	Premium	PTQ6GW11	Premium
	FT	PYUP0C3O	Premium	PMLDWFT2	Premium	PYYKSJCO	Premium
	T5	PC28LIXJ	Premium	PN452Q3V	Premium	PJIDRKK2	Premium
18L	T2	PMIWJ1SN	Premium	PYT1OI0B	Premium	P56IPYBL	Premium
	T3	PWYZ2MQG	Premium	PFSS1LYN	Premium	P8NHN8RJ	Premium
	FT	PJB7FYMM	Premium	PDV67ZF9	Premium	P50SC05I	Premium
	T5	PYM1GPE3	Premium	PAFTCGKI	Premium	P8T6GNYI	Premium
24L	T2	PADFFSIZ	Premium	PQHJ2HVU	Premium	PHXDPZ80	Premium
	T3	PTR75LPB	Premium	P3PQMW2M	Premium	P3L39231	Premium
	FT	PGEH2M5K	Premium	PXAK81Y2	Premium	PI32PEFC	Premium
	T5	PDUZQO2H	Premium	PJT626LP	Premium	PH27URM4	Premium
30L	T2	PTB9NPRB	Premium	PST7MVD0	Premium	P8QMXYBW	Premium
	T3	PLL1DPKB	Premium	PXES3U4Q	Premium	PM4251VZ	Premium
	FT	P8111S1R	Premium	PSZUR0KJ	Premium	P3AK7WLB	Premium
	T5	PP5HBMJD	Premium	PCMV87BH	Premium	PPF38Y2T	Premium
36L	T2	PNK748V8	Premium	PPFARQHV	Premium	PRZPTZ7E	Premium
	T3	PSITLJK6	Premium	PA9IEJIL	Premium	PVA9J3YF	Premium
	FT	PZTOHBUE	Premium	P9I5OG5M	Premium	PFL93QMN	Premium
	T5	PNL4Q554	Premium	P6DUTVBK	Premium	PDK53QL5	Premium
43L	T2	PZSVZ25R	Premium	P9W50WQ1	Premium	P7HALS4B	Premium
	T3	PJRBFMF7	Premium	P5FL77JB	Premium	PHQS4FSQ	Premium
	FT	PHBZ3WVN	Premium	PF35LJEC	Premium	PLR3HSZ6	Premium
	T5	P6DRCR1Q	Premium	P6Z1DW5Z	Premium	PVTTXZ8S	Premium
50L	T2	PT0YD3MT	Premium	PRLZZ0OT	Premium	PK5K4HAA	Premium
	T3	PB2YCEC6	Premium	PIWZAVP1	Premium	PDWACXL4	Premium
	FT	P5T6UPEY	Premium	PM31LXO4	Premium	PSQYJT0K	Premium
	T5	PHCA002U	Premium	PYZ945ER	Premium	PFHV4SGH	Premium