

SRES End Seal Kit installation instructions

DESCRIPTION

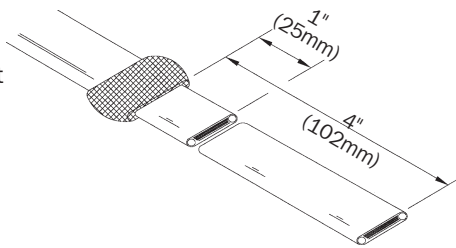
The SRES End Seal Kit is for use with all versions of Easy Heat's SR heater cables for pipe tracing and roof and gutter applications, for end-of-line termination/sealing. This kit contains materials for five complete end seals. Minimum installation temperature -30°C (-22°F).

KIT CONTENTS

- 5 Shrink Tubes, 0.5" (13mm) dia., 2" (51mm) length
- 5 Shrink Tubes, 0.75" (19mm) dia., 3" (76mm) length

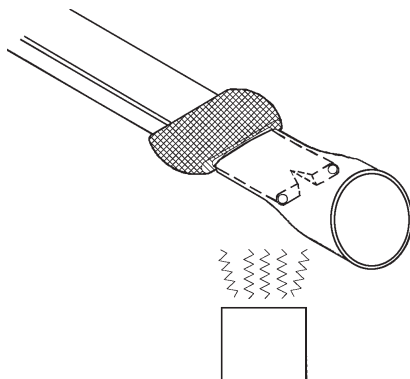
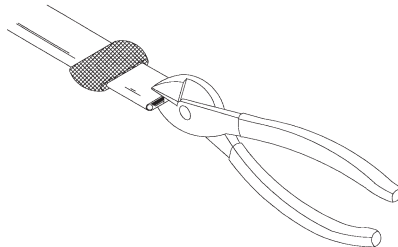
END SEAL INSTALLATION PROCEDURES

1. Being careful not to sever or nick ground braid, strip overjacket 4" (102mm) from the end. Slide braid back over the over-jacket portion of the heater cable.



2. Cut off excess heater cable leaving 1" (25mm); see diagram.

3. Per diagram, slit the web separating the bus wires 0.4" (10mm) in from cable end. Slightly spread wires apart.

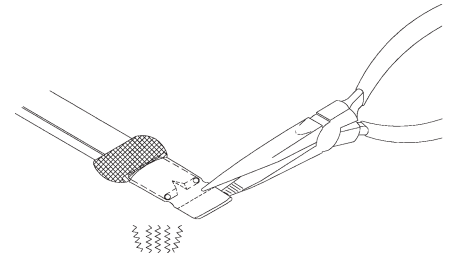


4. Slide a 0.5" (13mm) dia., 2" (51mm) length shrink tube over the heater cable leaving approximately 1" (25mm) of shrink tube beyond the cable end. Shrink with heat gun until completely shrunk.

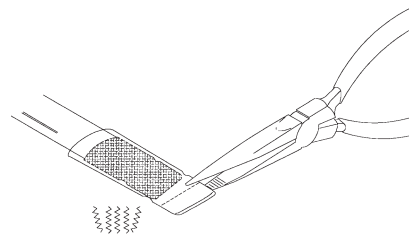
WARNING!
DO NOT OVERLAP BRAID
WITH SHRINK TUBE

5. While still warm, squeeze the entire width of shrink tube closed. Cut off excess shrink tube.

6. Pull braid over squeezed shrink tube covering the entire end seal and twist closed.



7. Fold twisted braid back upon itself as shown in diagram and slide a .75" (19mm) dia., 3" (76mm) length shrink tube over the braid. Leave approximately 0.5" (13mm) of shrink tube beyond the end of the braid. Shrink with heat gun until completely shrunk.



8. While still warm, squeeze the entire width of shrink tube closed.