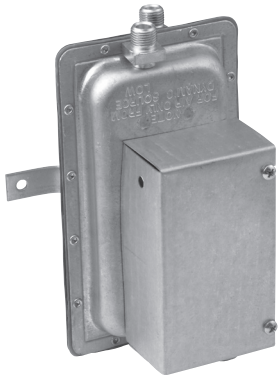


DUAL PURPOSE AIR SWITCH

White-Rodgers™

HEATING



770-1

770 SERIES DUAL PURPOSE AIR SWITCH

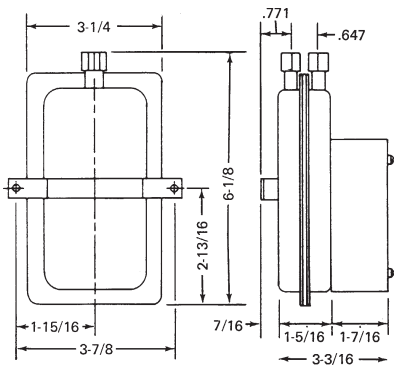
Responds to Positive, Negative or Differential Air Pressure

FEATURES

- Design eliminates “fluttering” or malfunction due to shock or vibration normally encountered with “sail switches”.
- Wide operating range.
- Furnished with one 12” piece 1/4” O.D. flexible tubing, nuts and ferrules.
- Can be mounted in any position except upside down.
- Enclosed diaphragm.

SPECIFICATIONS

Ambient Temperature -40 to +180°F
 Maximum Pressure 1/2 PSI
 Agency U.L. listed and C.S.A. approved
 1/2 HP @ 125 VAC



Model Number	Adjustable Operating Range	Switch Action	Electrical Ratings			
			Resistive (Non-Inductive)			
			120 VAC	240 VAC	277 VAC	125-277 VAC
770-1	0.05 to 12.0 W.C.	SPDT	15.0A	15.0A	15.0A	300 VA
770-3	0.05 to 12.0 W.C.	SPDT	15.0A	15.0A	15.0A	300 VA

AIR SWITCH APPLICATIONS

LEGEND			
N Negative Pressure	D Pressure Differential		POWER HUMIDIFIERS Switch permits unit to operate whenever there is proper air movement.
P Positive Pressure			ELECTRONIC AIR CLEANERS Switch permits power to cleaner whenever blower of system is operating.
			PROCESS DRYING Switch monitors negative pressure to stop conveyor or process and provides alarm signal on fan failure. Ideal for bulk chemicals, food processing, grain drying.
			NATURAL DRAFT BURNERS Switch signals insufficient draft, provides safety limit to stop firing on lack of draft, starts again on sufficient draft.
			REFRIGERATION EQUIPMENT Switch responds to pressure drop across refrigeration coils to signal alarm condition or automatically initiate or terminate defrost cycle.
			INDUCED DRAFT BURNERS Proves operation of I.D. fan by sampling draft or air flow. Shuts off firing equipment on fan failure.
			DUCT STRIP HEATERS Switch proves air movement across heaters by positive pressure to prevent burn-out on insufficient air flow.

✦ Indicates Canadian Model Number: call 1-800-305-6953 to order