

ENGINEERING DATA



Model: TRIO 3 IN 1 IN-DUCT

Air Purification System

Models: TRIO-16, TRIO-20



ITEMS INCLUDED

- 1 - TRIO-16 or TRIO-20 Air Purification System
- 1 - 120V Quick Connect Power Cord
- 2 - UVC Germicidal Lamp
- 1 - Instruction Sheet
- 1 - Lens Label

REPLACEMENT PART NUMBERS

| | |
|--|-----------|
| Replacement UVC Lamps (Set of 2) | 46636400 |
| BA-12/20 Replacement Ballast Assembly | 46636900 |
| TRIO1625RM13C Merv 13 Filter w/ Carbon | 731011625 |
| TRIO2025RM13C Merv 13 Filter w/ Carbon | 731012025 |
| Catalytic Aluminum Substrate (TRIO-16) | 808021200 |
| Catalytic Aluminum Substrate (TRIO-20) | 808022000 |
| TI-16RK Rplc Lamp Kit (set of 2) and Rplc Filter | 602641625 |
| TI-20RK Rplc Lamp Kit (set of 2) and Rplc Filter | 602614100 |

SHIPPING DIMENSIONS

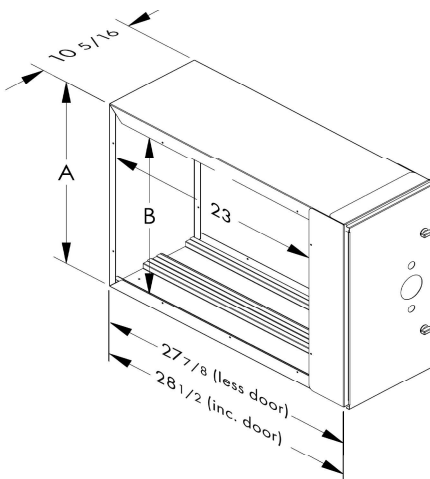
| | |
|---------|--------------|
| TRIO-16 | 34 x 19 x 14 |
| TRIO-20 | 34 x 23 x 14 |

The TRIO 3in1 In-duct Air Purification System installs into the return sided of ducted HVAC appliances. Most electronic and media air cleaners only capture particles. The TRIO 3in1 In-duct Air Purification System not only removes particles, but also reduces viruses, germs, and toxic gases.

SPECIFICATIONS

Model TRIO-16:
 (Capacity 1-1/2 to 3.0 tons)
Model: TRIO-16
Power: 120V/60 Hz .6 Amps 49.2 Watts
Fuse: Replace only with AGC-2 fuse
Application: 3 Ton Drive Air Handler/Furnace
Max Face Velocity: 500 FPM
Max Air Flow: 1200 CFM
Service: UVC Lamps - Best practice 1 year Filter - 6 to 12 months
U.V. Range: 254 NM (germicidal)
UVC Lamps: 16,000 Hours (2 year lamp life efficiency) Best Practice to replace every 12 months

Model TRIO-20:
 (Capacity 3.5 to 4.0 tons)
Model: TRIO-20
Power: 120V/60 Hz .6 Amps 49.2 Watts
Fuse: Replace only with AGC-2 fuse
Application: 4 Ton Drive Air Handler / Furnace
Max Face Velocity: 625 FPM
Max Air Flow: 1600 CFM
Service: UVC Lamps - Best practice 1 year Filter - 6 to 12 months
U.V. Range: 254 NM (germicidal)
UVC Lamps: 16,000 Hours (2 year lamp life efficiency) Best Practice to replace every 12 months



| Model No | A | B |
|----------|--------|----|
| TRIO-16 | 17-1/8 | 14 |
| TRIO-20 | 21-1/8 | 18 |

| Model | Pressure Drop | | | |
|---------|---------------|---------|----------|----------|
| | 600 CFM | 800 CFM | 1000 CFM | 1200 CFM |
| TRIO-16 | 0.07 | 0.125 | 0.18 | 0.25 |

| Model | Pressure Drop | | | |
|---------|---------------|----------|----------|----------|
| | 1200 CFM | 1400 CFM | 1600 CFM | 2000 CFM |
| TRIO-20 | 0.18 | 0.24 | 0.30 | 0.45 |



Field Controls
 2630 Airport Road
 Kinston, NC 28504
 252 522-3031
 Fax: 1 (800) 367-7942

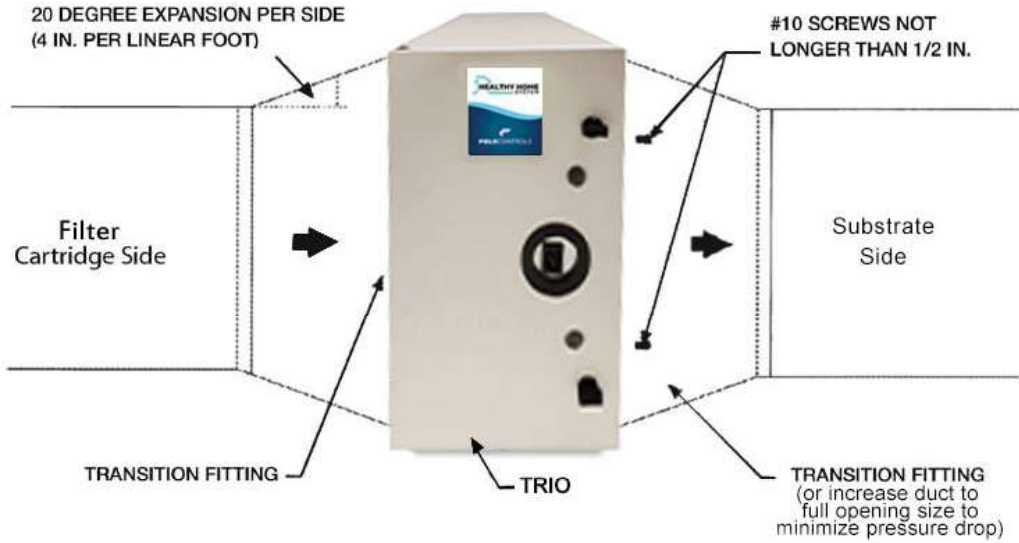


Visit us at: www.fieldcontrols.com

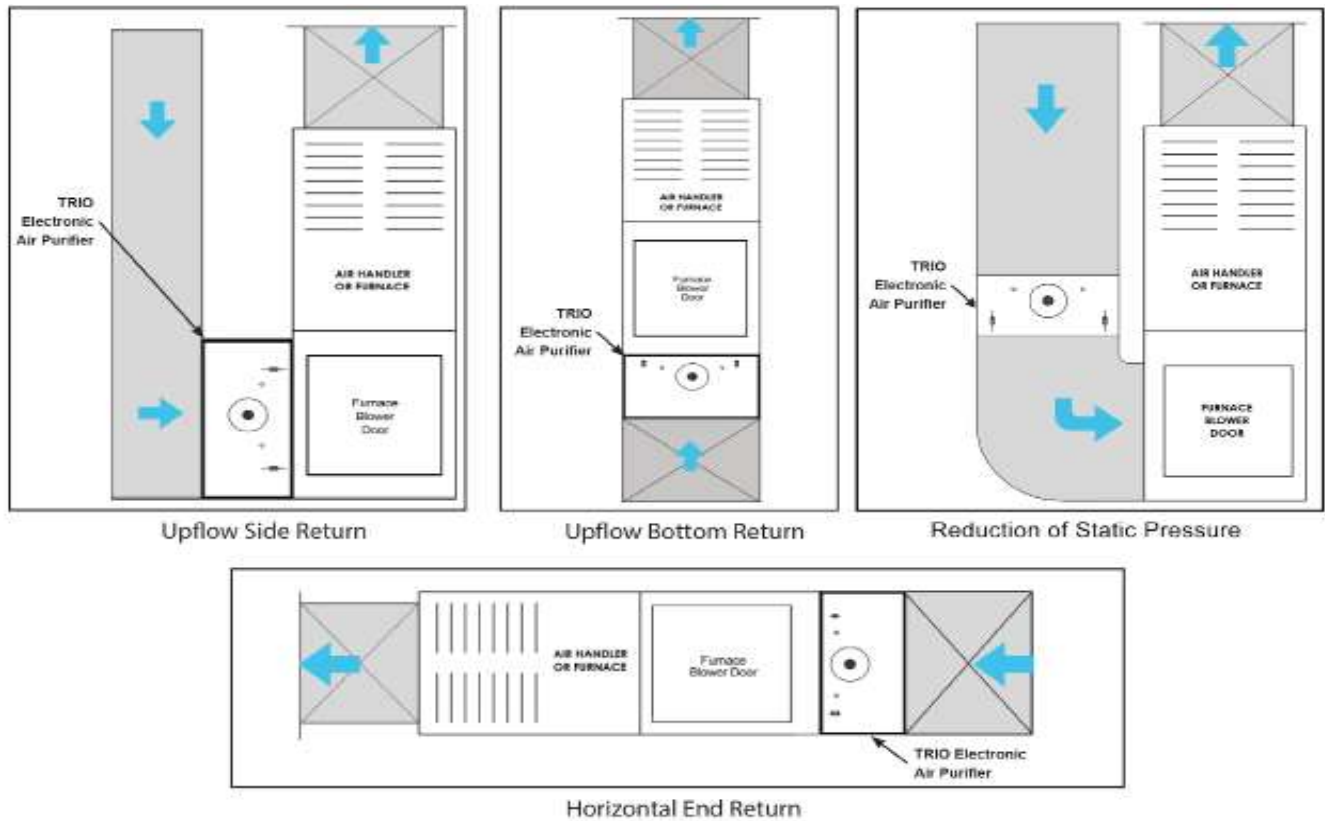
Field Controls LLC reserves the right to modify a product, without prior notice, whether in design, color or specifications, in order to offer at all times a quality product that is highly competitive. Please consult your national and local building codes to find out whether the installation of electrical products requires the services of a certified technician or electrician. Field Controls is a registered Trademark used under license by Field Controls LLC. All rights reserved.

ENGINEERING DATA

TRANSITIONS FOR IN-DUCT MOUNTING



POSSIBLE LOCATIONS FOR IN-DUCT MOUNTING



Field Controls
 2630 Airport Road
 Kinston, NC 28504
 252 522-3031
 Fax: 1 (800) 367-7942



Visit us at: www.fieldcontrols.com

PROJECT INFORMATION

| | |
|-------------|----------|
| Quoted by: | Date: |
| Project: | Remarks: |
| Quantity: | |
| Model: | |
| Site: | |
| Architect: | |
| Engineer: | |
| Contractor: | |