



**FLINT & WALLING**

Zoeller Family of Water Solutions™

# City Water Booster Pump

*More pressure where you want it . . . when you need it!*

- All-in-one unit, consisting of pump, motor, stainless steel pressure tank and electronic controller
- Compact design and quiet operation make it suitable for many applications
- System has automatic built-in diagnostics to protect against:  
Run Dry  
Dead Head  
Rapid Cycling
- Impeller constructed of thermo plastic with stainless steel bearing and shaft sleeve
- 1 in. stainless steel inlet and outlet flanges



**Model VP05**  
1/2 HP



DO NOT EXCEED  
30 PSI INCOMING  
PRESSURE



**Model VP10**  
1 HP

DO NOT EXCEED  
50 PSI INCOMING  
PRESSURE

**PERFORMANCE**

Inlet PSI	VP05 System Pressure (PSI) at Flow Rates (GPM)							HP
	3	6	9	12	15	18	21	
10	44	39	32	25	17	-	-	1/2
20	54	49	42	35	27	-	-	
30	64	59	52	45	37	-	-	

Inlet PSI	VP10 System Pressure (PSI) at Flow Rates (GPM)							HP
	3	6	9	12	15	18	21	
10	66	61	54	46	37	29	18	1
20	76	71	64	56	47	39	28	
30	86	81	74	66	57	49	38	
40	96	91	84	76	67	59	48	
50	106	101	94	86	77	69	58	

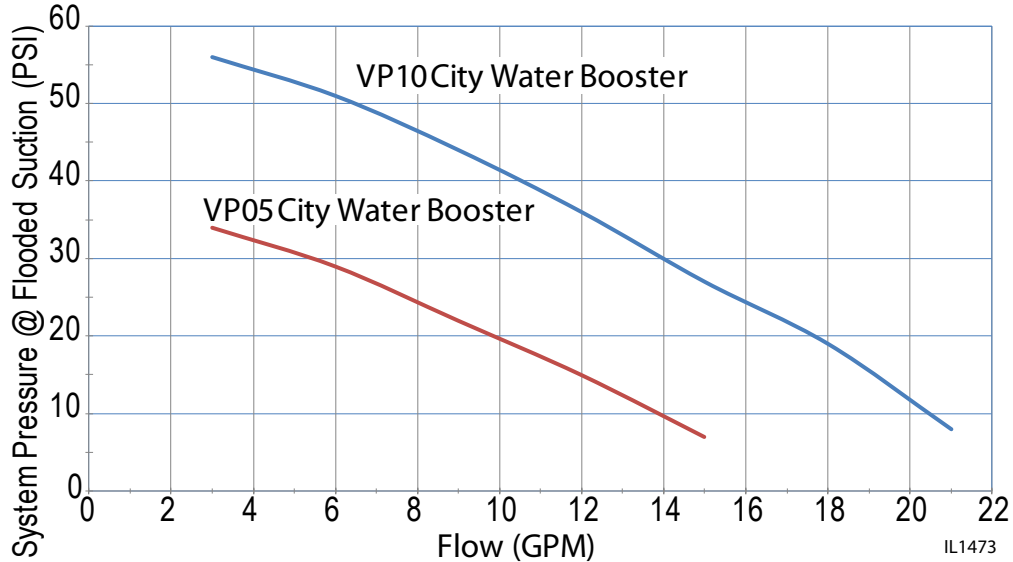
# City Water Booster Pump



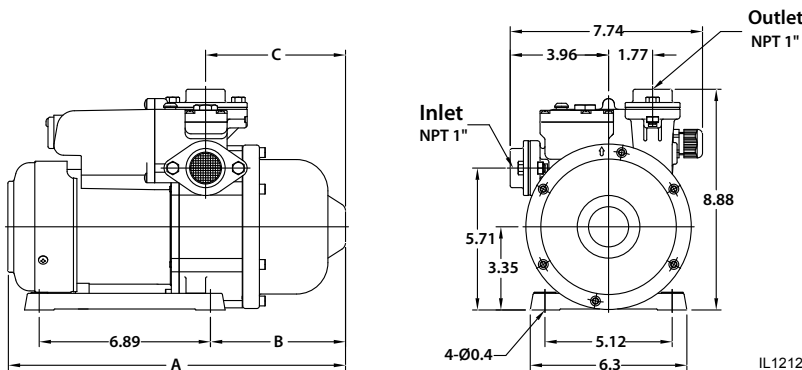
**FLINT & WALLING**

Zoeller Family of Water Solutions™

## PERFORMANCE



## OUTLINE / DIMENSIONAL SIZE



## DIMENSIONS CHART C

Model	A (in.)	B (in.)	C (in.)
VP05	13.56	5.43	5.63
VP10	16.42	6.46	6.65

## TYPICAL INSTALLATION

