

DBLT4W LINT TRAP

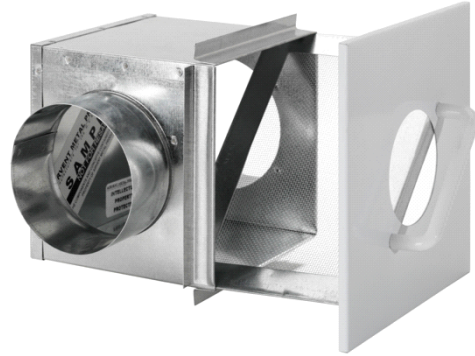
Item no. 46000

Document type: **Product card**
Document date: **2017-03-23**
Generated by: **Systemair Online Catalogue**

Description

Lint Trap for Dryer Exhaust Fans

Galvanized metal lint trap for dryer boosting applications. Use when duct length between dryer and booster fan is less than 15 feet. Fits 4-inch duct. Features pull out white door with a view window with attached removable lint filter for easy cleaning and 1/2" flange for flush mount installation. The lint trap complements all Fantech dryer exhaust fans.

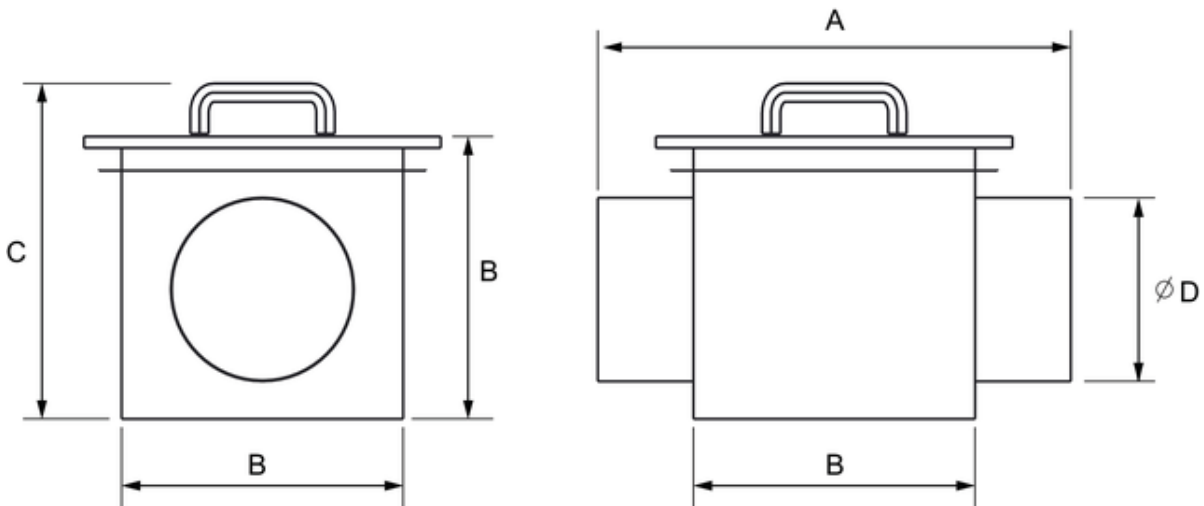


Technical parameters

Other

Weight	3 lbs.
--------	--------

Dimensions



	A	B	C	D
DBLT4W	10	6	7 1/8	3 29/32
Dimensions in inches				

Accessories

Documentation

 450224 DBLT4W OIPM EN.pdf (340,30kB)