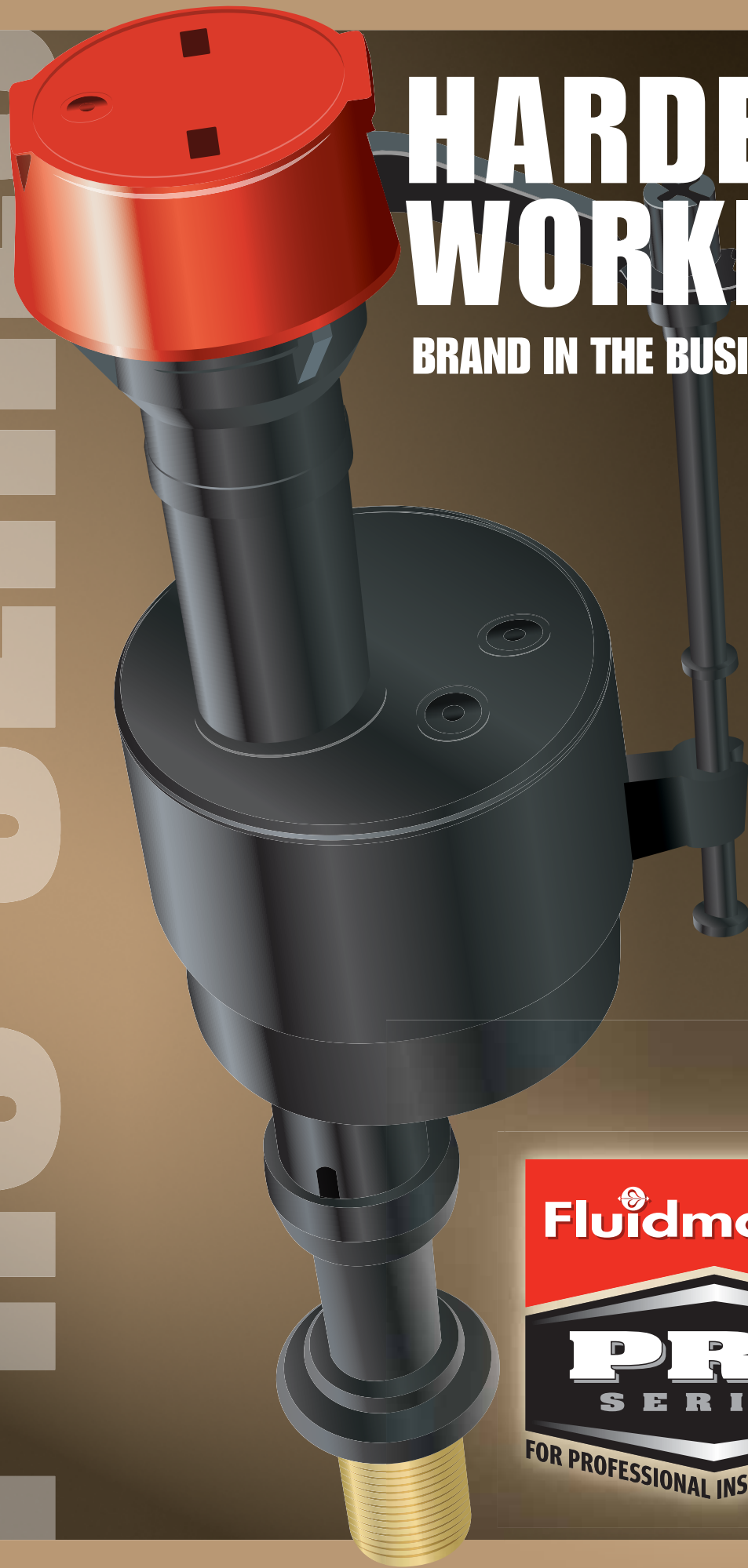


PRO  
SERIES



# HARDEST WORKING

BRAND IN THE BUSINESS



# FILL VALVES

## PRO45B

Anti-siphon/backflow design prevents contamination of fresh water supply.

Narrow profile allows for proper fit in all sized toilets.

Large thumbscrew (no tools needed) adjustment makes it easy to adjust the float height for a perfect flush.

Easily adjustable height from 9 to 14 inches provides a universal fit.

Heavy-duty brass shank prevents cross-threading and stripping. (PRO45B only)

5-year warranty



PRO fill valves feature quieter operation, virtually no water hammer, and the PRO45B includes a brass shank. Sold for professional installation only, it's a brand you can trust and an opportunity that will help drive your business.



## PRO45

- Fill valve
- Ultra-quiet operation
- Minimal water hammer
- Code approved
- 5-year warranty



## PRO45C

- Ultra-quiet PRO45 with heavy-duty PRO55 flapper
- Fast repair for 2 most common toilet problems
- Code approved
- 5-year warranty



## PRO45K

- Complete kit for a total overhaul of tank components
- Includes PRO45, PRO57K and PRO61 items
- Code approved
- 5-year warranty



| MODEL NUMBER | UPC 0 39961 | PACK QTY | CASE DIMENSIONS W/D/H INCHES | CUBIC FEET | CASE WEIGHT | SCC 1 2 OF 5 100 39961 |
|--------------|-------------|----------|------------------------------|------------|-------------|------------------------|
| PRO45        | 45200 9     | 25       | 15.63 x 15.63 x 13.06        | 1.85       | 15.71       | 45002 6                |
| PRO45B       | 45500 0     | 25       | 15.63 x 15.63 x 13.06        | 1.85       | 17.66       | 45245 7                |
| PRO45C       | 45300 6     | 10       | 9.30 x 16.80 x 13.10         | 1.18       | 8.52        | 45003 3                |
| PRO45K       | 45400 3     | 10       | 15.60 x 17.30 x 14.00        | 2.18       | 17.10       | 45045 3                |

# FLUSH VALVES & FLAPPERS

## PRO57

Longer-life, kink-free stainless steel chain.

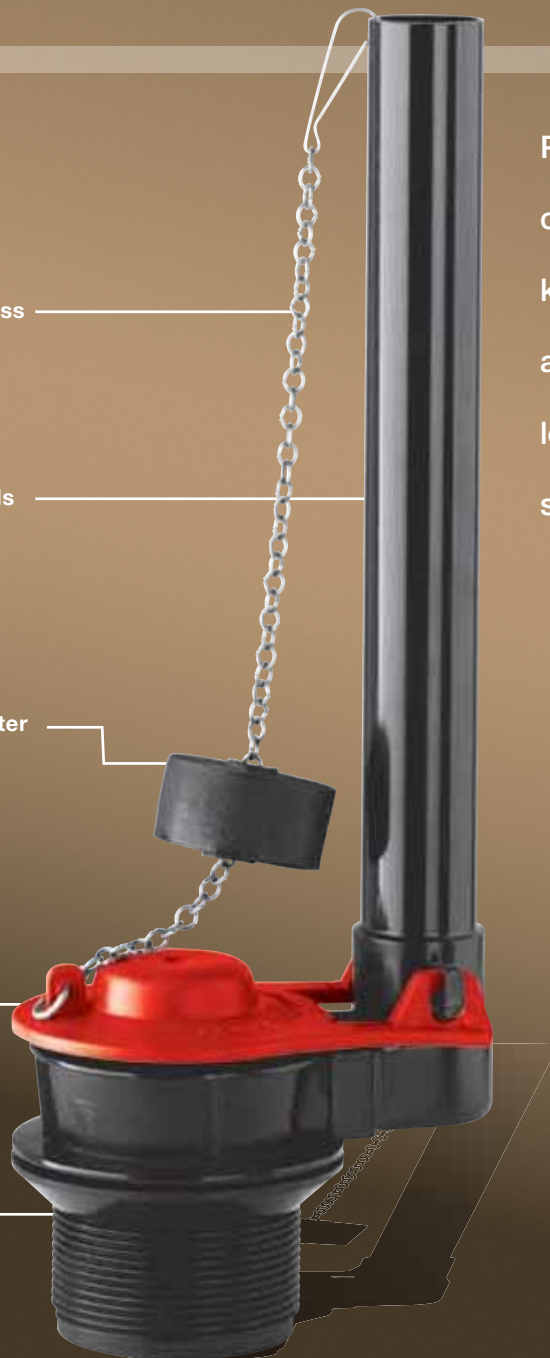
Corrosion-resistant materials withstand constant use.

Adjustable float controls water in tank for optimal flush.

Universal fit, chlorine-resistant flapper; fits most toilets.

Rigid frame precisely aligns with drain for superior leak protection.

PRO flush valves feature corrosion-resistant materials, kink-free chain with adjustable float and durable long-life flappers. Fits most standard 2" opening toilets.



5-year warranty



## PRO53

- Universal fit flapper
- Fits flush valves with and without mounting ears and American Standard actuator units
- Strong, kink-free metal chain
- 1-year warranty



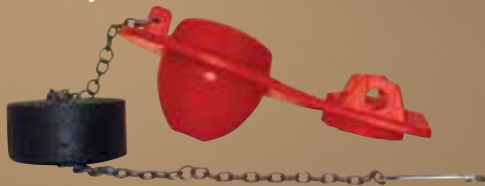
## PRO54

- All the benefits of the PRO53 plus:
- Durable material resists chemicals and hard water
- 5-year warranty



## PRO55 & 55R

- All the benefits of the PRO53 and PRO54 flappers plus:
- Adjustable float for an optimum flush
- PRO55R is a 3-pack; save money, buy in multiples
- 5-year warranty



## PRO57K

- Everything needed for a complete flush valve replacement
- Includes PRO55 adjustable flapper with float
- Comes with bolts and gasket
- Fits most tanks
- Easy to install
- 5-year warranty



| MODEL NUMBER | UPC 0 39961 | PACK QTY    | CASE DIMENSIONS W/D/H INCHES | CUBIC FEET | CASE WEIGHT | SCC 1 2 OF 5 100 39961 |
|--------------|-------------|-------------|------------------------------|------------|-------------|------------------------|
| PRO53        | 53500 9     | 20          | 12.80 x 23.00 x 6.90         | 1.18       | 4.09        | 53005 6                |
| PRO54        | 54500 8     | 20          | 12.80 x 23.00 x 6.90         | 1.18       | 4.09        | 54005 5                |
| PRO55        | 55500 7     | 20          | 12.80 x 23.00 x 6.90         | 1.18       | 4.15        | 55005 4                |
| PRO55R       | 55600 4     | 8 x (3 pks) | 10.62 x 23.88 x 10.50        | 1.54       | 5.35        | 55025 2                |
| PRO57        | 57500 5     | 10          | 9.30 x 16.80 x 13.10         | 1.18       | 6.12        | 57005 2                |
| PRO57K       | 57600 2     | 10          | 9.30 x 16.80 x 13.10         | 1.18       | 9.52        | 57002 1                |

# BALLCOCKS, FLUSH LEVERS & REPAIR PARTS

## PRO15

- Professional-grade direct replacement ballcock
- Brass arm (float not included)
- Code approved
- 3-year warranty



## PRO15C

- Professional-grade PRO15 direct replacement ballcock including universal fit PRO53 flapper
- Brass arm (float not included)
- Code approved
- 3-year warranty



## PRO61

- Chrome finish handle
- Fits most front, side or angle-mount tanks
- 1-year warranty



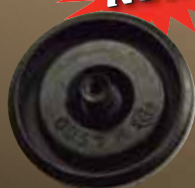
## PRO64

- Designer, chrome finish handle
- Fits most front, side or angle-mount tanks
- 3-year warranty



## PRO35

- Replacement cap for PRO45 fill valves with plastic adjustment screws
- Easy to install



**New!**

## PRO22

- Replacement seal for PRO45 fill valves
- Easy repair extends fill valve's life



**New!**

| MODEL NUMBER | UPC 0 39961 | PACK QTY | CASE DIMENSIONS W/D/H INCHES | CUBIC FEET | CASE WEIGHT | SCC 1 2 OF 5 100 39961 |
|--------------|-------------|----------|------------------------------|------------|-------------|------------------------|
| PRO15        | 15300 5     | 25       | 15.63 x 15.63 x 13.06        | 1.85       | 14.01       | 15003 2                |
| PRO15C       | 15200 8     | 25       | 15.63 x 15.63 x 13.06        | 1.85       | 16.41       | 15002 5                |
| PRO61        | 61200 7     | 10       | 7.44 x 13.00 x 4.38          | 0.25       | 1.05        | 61002 4                |
| PRO64        | 64200 4     | 10       | 7.44 x 13.00 x 4.38          | 0.25       | 2.20        | 64002 1                |
| PRO22        | 15022 6     | 10       | 4.56 x 5.50 x 4.81           | 0.07       | 0.33        | 15022 3                |
| PRO35        | 15035 6     | 10       | 5.06 x 7.50 x 7.50           | 0.16       | 0.88        | 15035 3                |

# WATER SUPPLY CONNECTORS



Meeting the demands of the Pro, Fluidmaster® has added new professional-grade faucet and toilet connectors to the Fluidmaster PRO Series™ line. This new line features 18 of the most popular braided stainless steel connectors with No-Burst® technology. Backed by a 10-year warranty, for professional installation only.

## TOILET



- No-Burst® braided stainless steel
- Lengths range from 9" to 20"
- Ample inside diameter for high flow capacity
- Won't kink or crease, even in the tightest of spaces
- Exceeds all requirements for flexible water connectors as defined by ASME A112.18.6 and CSA B125
- 10-year warranty

## FAUCET



- No-Burst® braided stainless steel
- Lengths range from 12" to 30"
- Ample inside diameter for high flow capacity
- Won't kink or crease, even in the tightest of spaces
- Exceeds all requirements for flexible water connectors as defined by ASME A112.18.6 and CSA B125
- 10-year warranty

TOILET

| MODEL NUMBER | UPC 0 39961 | CONNECTOR CONFIGURATION   | PACK QTY | CASE DIMENSIONS W/D/H INCHES | CUBIC FEET | CASE WEIGHT | SCC 1 2 OF 5 100 39961 |
|--------------|-------------|---|----------|------------------------------|------------|-------------|------------------------|
| PRO1T09      | 10011 5     | 3/8" Female Compression Thread<br>X 7/8" Female Ballcock Thread   | 25       | 6.75 x 9.75 x 5.00           | 0.20       | 5.00        | 10011 2                |
| PRO1T12      | 10013 9     |   | 25       | 6.75 x 13.75 x 5.00          | 0.27       | 6.00        | 10013 6                |
| PRO1T20      | 10014 6     |   | 25       | 8.25 x 16.75 x 5.00          | 0.40       | 8.00        | 10014 3                |
| PRO4T09      | 10021 4     | 1/2" I.P. Female Straight Thread<br>X 7/8" Female Ballcock Thread | 25       | 6.75 x 9.75 x 5.00           | 0.20       | 5.00        | 10021 1                |
| PRO4T12      | 10022 1     |   | 25       | 6.75 x 13.75 x 5.00          | 0.27       | 6.00        | 10022 8                |
| PRO4T20      | 10023 8     |   | 25       | 8.25 x 16.75 x 5.00          | 0.40       | 8.00        | 10023 5                |

FAUCET

|         |         |  |    |                     |      |       |         |
|---------|---------|--|----|---------------------|------|-------|---------|
| PRO1F12 | 10012 2 |  | 25 | 6.75 x 13.75 x 5.00 | 0.27 | 6.00  | 10012 9 |
| PRO1F16 | 10016 0 | 3/8" Female Compression Thread<br>X 1/2" I.P. Female Straight Thread   | 25 | 8.25 x 16.75 x 5.00 | 0.40 | 7.00  | 10016 7 |
| PRO1F20 | 10020 7 |  | 25 | 8.25 x 16.75 x 5.00 | 0.40 | 8.00  | 10020 4 |
| PRO1F30 | 10030 6 |  | 25 | 8.25 x 16.75 x 5.00 | 0.40 | 10.00 | 10030 3 |
| PRO4F12 | 10015 3 |  | 25 | 6.75 x 13.75 x 5.00 | 0.27 | 7.00  | 10015 0 |
| PRO4F16 | 10017 7 | 1/2" I.P. Female Straight Thread<br>X 1/2" I.P. Female Straight Thread | 25 | 8.25 x 16.75 x 5.00 | 0.40 | 8.00  | 10017 4 |
| PRO4F20 | 10018 4 |  | 25 | 8.25 x 16.75 x 5.00 | 0.40 | 8.00  | 10018 1 |
| PRO4F30 | 10019 1 |  | 25 | 8.25 x 16.75 x 5.00 | 0.40 | 11.00 | 10019 8 |
| PRO6F12 | 10024 5 | 3/8" Female Compression<br>X 3/8" Female Compression                   | 25 | 6.75 x 13.75 x 5.00 | 0.27 | 6.00  | 10024 2 |
| PRO6F20 | 10025 2 |  | 25 | 8.25 x 16.75 x 5.00 | 0.40 | 7.00  | 10025 9 |
| PRO8F12 | 10026 9 | 3/8" Female Compression Thread<br>X 3/8" O.D. Copper Tubing Coupling   | 25 | 6.75 x 13.75 x 5.00 | 0.27 | 6.00  | 10026 6 |
| PRO8F20 | 10027 6 |  | 25 | 8.25 x 16.75 x 5.00 | 0.40 | 8.00  | 10027 3 |

# ENGINEERED TO LAST



The Fluidmaster PRO Series™ features a complete line of high quality, high performance toilet repair products with industry-leading innovative features. Backed by 50+ years of experience and sold for professional installation only.

The Fluidmaster PRO Series now offers a line of the most popular No-Burst® stainless steel connectors for toilets & faucets. High burst strength, NSF-approved polymer core inner strength and exceptional flexibility offer fast, easy installation. We have the connector you can count on!

**Fluidmaster. The Hardest Working Brand in the Business.**

**New!**