

Features:

G0025833

- Vitreous China
- 1.1/1.28 gpf high Efficiency, 1.6 gpf Low Consumption
- Elongated Spud Bowl
- Siphon Jet
- Spud G0099255 1-1/2" X 1-1/2" for Flushometer Valve Included
- Top Spud
- Flushometer Valve not Included
- Toilet seat not Included



Technical Information:

Configuration	Elongated Top Spud Bowl
Water per Flush	1.1/1.28/1.6 gpf (4.1/4.8/6.0 Lpf)
Rough-In	10"
Height	15"
Width	14 5/8"
Depth	27 3/8"
Trapway	2"
Large Water Surface	8 11/16" x 6 5/16"
Shipping weight	51 lbs

Accessories: (To Be Purchased Separately)

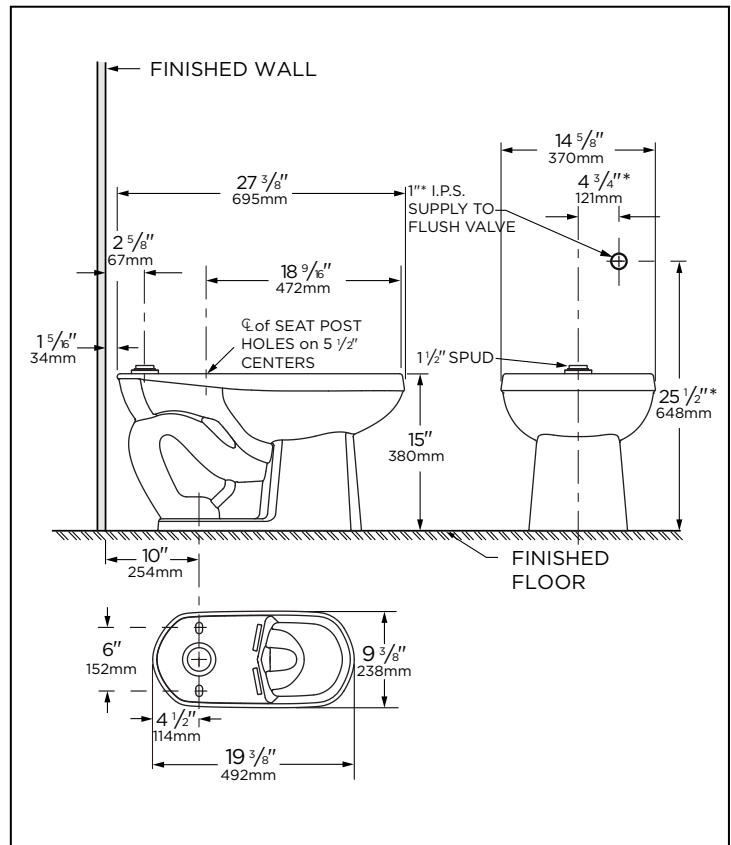
N/A

Available Colors:

- White Only
- Other: Refer to Price Book for additional colors/finishes

Warranty:

- Limited Lifetime on Vitreous China, refer to the website for more details.



NOTES: All dimensions are in inches and millimeter. Illustrations may not be drawn to scale.

*This measurement may vary. Use flush valve manufacturer's recommended rough-in.

RECOMMENDED STATIC WATER PRESSURE FOR PLUMBING FIXTURES IS 20 - 80 PSI STATIC PER ANSI STANDARDS A112.19.2M APPENDIX B.

IMPORTANT:

Dimensions of fixtures are nominal and may vary within the range of tolerances established by ASME standard A 112.19.2 THIS FIXTURE QUALIFIES ACCORDING TO ASME TEST PROCEDURES AS EITHER AS HIGH EFFICIENCY WATER CLOSET WITH AN AVERAGE CONSUMPTION OF 1.1 gpf (4.1 Lpf) OR LESS, OR 1.28 gpf (4.8 Lpf) OR LESS, OR A LOW CONSUMPTION WATER CLOSET WITH AN AVERAGE CONSUMPTION OF 1.6 gpf (6.0 Lpf) OR LESS. WATER CLOSET CONSUMPTION IS DETERMINED BY THE FLUSHOMETER.